

*If you have questions or comments, contact us.  
Pour toute question ou tout commentaire, nous contacter.  
Si tiene dudas o comentarios, contáctenos.*

**1-800-4-DEWALT • [www.dewalt.com](http://www.dewalt.com)**

**INSTRUCTION MANUAL  
GUIDE D'UTILISATION  
MANUAL DE INSTRUCCIONES**

INSTRUCTIVO DE OPERACIÓN, CENTROS DE SERVICIO Y PÓLIZA DE GARANTÍA. **ADVERTENCIA:** LÉASE ESTE INSTRUCTIVO ANTES DE USAR EL PRODUCTO.

**DEWALT®**

**DWE46100  
Tuckpoint Shroud  
Carter de tronçonnage du béton  
Cubierta protectora para rejuntar**



### Definitions: Safety Guidelines

The definitions below describe the level of severity for each signal word. Please read the manual and pay attention to these symbols.

**⚠ DANGER:** Indicates an imminently hazardous situation which, if not avoided, **will** result in **death or serious injury**.

**⚠ WARNING:** Indicates a potentially hazardous situation which, if not avoided, **could** result in **death or serious injury**.

**⚠ CAUTION:** Indicates a potentially hazardous situation which, if not avoided, **may** result in **minor or moderate injury**.

**NOTICE:** Indicates a practice **not related to personal injury** which, if not avoided, **may** result in **property damage**.

IF YOU HAVE ANY QUESTIONS OR COMMENTS ABOUT THIS OR ANY DEWALT TOOL, CALL US TOLL FREE AT: **1-800-4-DEWALT (1-800-433-9258)**.



**WARNING:** To reduce the risk of injury, read the instruction manual.

### SAVE ALL WARNINGS AND INSTRUCTIONS FOR FUTURE REFERENCE

#### General Safety Warnings

**⚠ WARNING:** For your own safety, read the instruction manual for both the grinder tool and the dust extractor vacuum before using any accessory. Failure to heed these warnings may result in personal injury and serious damage to the tool and the accessory. When servicing this tool, use only identical replacement parts.

#### 1) WORK AREA SAFETY

- a) **Keep work area clean and well lit.** Cluttered or dark areas invite accidents.
- b) **Keep children and bystanders away while operating a power tool.** Distractions can cause you to lose control.
- c) **Ensure the workplace is well ventilated.** Exposure to dust at a poorly ventilated workplace may result in damage to the health.

#### 2) ELECTRICAL SAFETY

- a) **Avoid body contact with earthed or grounded surfaces such as pipes, radiators, ranges and refrigerators.** There is an increased risk of electric shock if your body is earthed or grounded.

#### 3) PERSONAL SAFETY

- a) **Stay alert, watch what you are doing and use common sense when operating a power tool. Do not use a power tool while you are tired or under the influence of drugs, alcohol or medication.** A moment of inattention while operating power tools may result in serious personal injury.
- b) **Use personal protective equipment. Always wear eye protection.** Protective equipment such as dust mask, non-skid safety shoes, hard hat, or hearing protection used for appropriate conditions will reduce personal injuries.
- c) **Do not overreach. Keep proper footing and balance at all times.** This enables better control of the power tool in unexpected situations.
- d) **Dress properly. Do not wear loose clothing or jewelry. Keep your hair, clothing and gloves away from moving parts.** Loose clothes, jewelry or long hair can be caught in moving parts.

#### 4) POWER TOOL USE AND CARE

- a) **Do not force the power tool. Use the correct power tool for your application.** The correct power tool will do the job better and safer at the rate for which it was designed.
- ▲WARNING:** The use of any accessory or attachment or performance of any operation with this tool, other than those recommended in this instruction manual may present a risk of personal injury.
- b) **Store idle power tools out of the reach of children and do not allow persons unfamiliar with the power tool or these instructions to operate the power tool.** Power tools are dangerous in the hands of untrained users.
- c) **Use the power tool, accessories and tool bits etc., in accordance with these instructions taking into account the working conditions and the work to be performed.** Use of the power tool for operations different from those intended could result in a hazardous situation.

#### 5) SERVICE

- a) **Have your power tool serviced by a qualified repair person using only identical replacement parts.** This will ensure that the safety of the power tool is maintained.

#### **Tuckpointing Safety Rules**

- **Do not use accessories which are not specifically designed and recommended by the tool manufacturer.** Just because the accessory can be attached to your power tool, it does not assure safe operation.
- **The rated speed of the accessory must be at least equal to the maximum speed marked on the power tool.** Accessories running faster than their rated speed can break and fly apart.
- **The outside diameter and the thickness of your accessory must be within the capacity rating of your power tool.** Incorrectly sized accessories cannot be adequately guarded or controlled.
- **The arbor size of wheels, flanges, backing pads or any other accessory must properly fit the spindle of the power tool.** Accessories with arbor holes that do not match the mounting hardware of the power tool will run out of balance, vibrate excessively and may cause loss of control.
- **The guard must be securely attached to the power tool and positioned for maximum safety, so the least amount of wheel is exposed towards the operator.** The guard helps to protect operator from broken wheel fragments and accidental contact with wheel.
- **Hold power tool by insulated gripping surfaces only, when performing an operation where the cutting accessory may contact hidden wiring or its own cord.** Cutting accessory contacting a "live" wire may make exposed metal parts of the power tool "live" and shock the operator.
- **Always use side handle. Tighten the handle securely.** The side handle should always be used to maintain control of the tool at all times.
- **Do not use a damaged accessory. Before each use inspect the accessory such as diamond wheel for chips and cracks, backing pad for cracks, tear or excess wear, wire brush for loose or cracked wires. If power tool or accessory is dropped, inspect for damage or install an undamaged accessory. After inspecting and installing an accessory, position yourself and bystanders away from the plane of the rotating accessory and run the power tool at maximum no-load speed for one minute.** Damaged accessories will normally break apart during this test time.

- **DO NOT grind or cut metal with a diamond wheel.**
- **Wear personal protective equipment. Depending on application, use face shield, safety goggles or safety glasses. As appropriate, wear dust mask, hearing protectors, gloves and workshop apron capable of stopping small abrasive or workpiece fragments.** The eye protection must be capable of stopping flying debris generated by various operations. The dust mask or respirator must be capable of filtering particles generated by your operation. Prolonged exposure to high intensity noise may cause hearing loss.
- **Do not "jam" the cut-off wheel or apply excessive pressure. Do not attempt to make an excessive depth of cut.** Overstressing the wheel increases the loading and susceptibility to twisting or binding of the wheel in the cut and the possibility of kickback or wheel breakage.
- **Position the cord clear of the spinning accessory.** If you lose control, the cord may be cut or snagged and your hand or arm may be pulled into the spinning accessory.
- **Never lay the power tool down until the accessory has come to a complete stop.** The spinning accessory may grab the surface and pull the power tool out of your control.
- **Do not run the power tool while carrying it at your side.** Accidental contact with the spinning accessory could snag your clothing, pulling the accessory into your body.
- **Regularly clean the power tool's air vents.** The motor's fan will draw the dust inside the housing and excessive accumulation of powdered metal may cause electrical hazards.
- **Do not operate the power tool near flammable materials.** Sparks could ignite these materials.
- **Do not use accessories that require liquid coolants.** Using water or other liquid coolants may result in electrocution or shock.
- **DO NOT use abrasive wheels.**
- **ALWAYS use with a dust collector.**
- **⚠ WARNING: When not in use, place grinder on a stable surface where it will not move inadvertently, roll or cause a tripping or falling hazard.** Serious personal injury may result.
- **⚠ WARNING: ALWAYS use safety glasses.** Everyday eyeglasses are NOT safety glasses. Also use face or dust mask if cutting operation is dusty. ALWAYS wear certified safety equipment:
  - ANSI Z87.1 eye protection (CAN/CSA Z94.3).
  - ANSI S12.6 (S3.19) hearing protection.
  - NIOSH/OSHA respiratory protection.
- **⚠ WARNING: Some dust created by power sanding, sawing, grinding, drilling, and other construction activities contains chemicals known to the State of California to cause cancer, birth defects or other reproductive harm. Some examples of these chemicals are:**
  - lead from lead-based paints,
  - crystalline silica from bricks and cement and other masonry products, and
  - arsenic and chromium from chemically-treated lumber.

Your risk from these exposures varies, depending on how often you do this type of work. To reduce your exposure to these chemicals: work in a well ventilated area, and work with approved safety equipment, such as those dust masks that are specially designed to filter out microscopic particles.
- **Avoid prolonged contact with dust from power sanding, sawing, grinding, drilling, and other construction activities. Wear protective clothing and wash exposed areas with soap and water.** Allowing dust to get into your mouth, eyes, or lay on the skin may promote absorption of harmful chemicals.

**⚠ WARNING:** Use of this tool can generate and/or disburse dust, which may cause serious and permanent respiratory or other injury. Always use NIOSH/OSHA approved respiratory protection appropriate for the dust exposure. Direct particles away from face and body.

**⚠ WARNING:** Before beginning the work, check to determine the hazard classification of the dust produced. Use an industrial dust extractor vacuum of the appropriate officially approved safety class that is in compliance with your local dust hazard control regulations.

**⚠ WARNING:** Always wear proper personal hearing protection. Under some conditions and duration of use, noise from this product may contribute to hearing loss.

### **Causes and Operator Prevention of Kickback**

Kickback is a sudden reaction to a pinched or snagged rotating wheel, backing pad, brush or any other accessory. Pinching or snagging causes rapid stalling of the rotating accessory which in turn causes the uncontrolled power tool to be forced in the direction opposite of the accessory's rotation at the point of the binding.

For example, if an diamond wheel is snagged or pinched by the workpiece, the edge of the wheel that is entering into the pinch point can dig into the surface of the material causing the wheel to climb out or kick out. The wheel may either jump toward or away from the operator, depending on direction of the wheel's movement at the point of pinching. diamond wheels may also break under these conditions.

Kickback is the result of tool misuse and/or incorrect operating procedures or conditions and can be avoided by taking proper precautions as given below:

- a) **Maintain a firm grip on the power tool and position your body and arm to allow you to resist kickback forces.**

**Always use auxiliary handle, if provided, for maximum control over kickback or torque reaction during start up.**

The operator can control torque reaction or kickback forces, if proper precautions are taken.

- b) **Never place your hand near the rotating accessory.** Accessory may kickback over your hand.
- c) **Do not position your body in the area where power tool will move if kickback occurs.** Kickback will propel the tool in direction opposite to the wheel's movement at the point of snagging.
- d) **Use special care when working corners, sharp edges etc. Avoid bouncing and snagging the accessory.** Corners, sharp edges or bouncing have a tendency to snag the rotating accessory and cause loss of control or kickback.
- e) **Do not attach a saw chain woodcarving blade or toothed saw blade.** Such blades create frequent kickback and loss of control.

### **SAVE ALL WARNINGS AND INSTRUCTIONS FOR FUTURE REFERENCE**

#### **COMPONENTS (FIG. 1)**

**⚠ WARNING:** Never modify the power tool or any part of it. Damage or personal injury could result.

- |                          |                                     |
|--------------------------|-------------------------------------|
| A. Dust port             | E. Cornering door locking lever     |
| B. Clamp adjusting screw | (locks and unlocks cornering door)  |
| C. Depth of cut shoe     | F. Cornering door (opens and        |
| D. Depth of cut shoe     | allows cutting of an inside corner) |
| locking knob             | G. Clamp lever                      |

#### **INTENDED USE**

Your tuckpoint shroud has been designed for professional tuckpoint masonry applications. It is not intended for use with metal or wood.

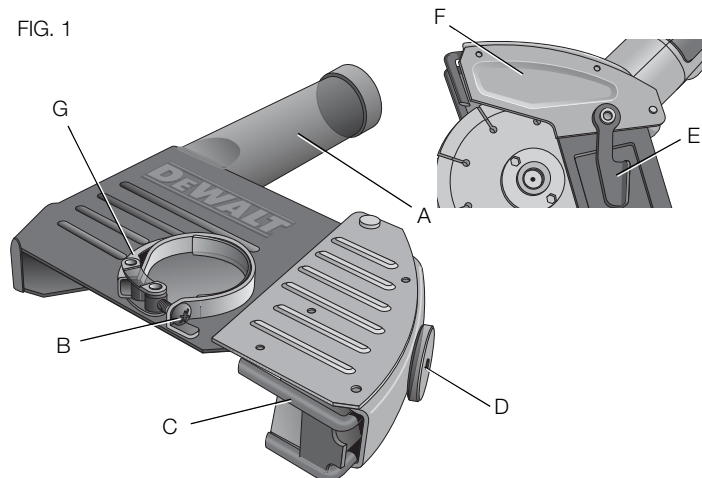
Using the appropriate grinder, wheel and dust extractor vacuum it can be used to remove the vast majority of static and airborne dust which without the use of the tuckpoint shroud could otherwise contaminate the working environment or pose an increased health risk to the operator and those in close proximity.

**DO NOT** use under wet conditions or in presence of flammable liquids or gases.

The tuckpoint shroud is a professional tool. **DO NOT** let children come into contact with the tool. Supervision is required when inexperienced operators use this tool.

Recommended power tools to be used with this attachment are available at extra cost from your local dealer or authorized service center. If you need assistance in locating any power tool, please contact DEWALT Industrial Tool Co., 701 East Joppa Road, Baltimore, MD 21286, call 1-800-4-DEWALT (1-800-433-9258) or visit our website [www.dewalt.com](http://www.dewalt.com).

FIG. 1



## ASSEMBLY AND ADJUSTMENT (FIG. 1, 2)

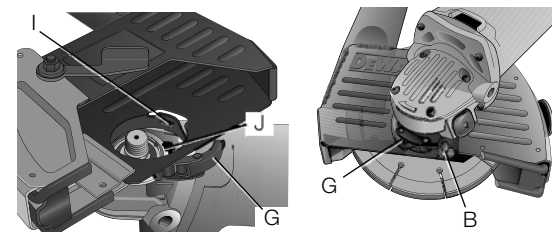
**⚠ WARNING:** To reduce the risk of injury, **ALWAYS** turn off the tool and disconnect the tool from the power source before making any adjustments or removing or installing attachments or accessories. This applies to both the grinder and the dust extractor vacuum. Such preventative safety measures reduce the risk of starting the tool accidentally.

### Mounting and Removing Tuckpoint Shroud

**NOTE:** The tuckpoint shroud is only recommended for use with the DWE46102 heavy-duty small angle grinder.

1. Follow the mounting and removing guard instructions in the tool manual to remove the guard from grinder (DWE46102).
2. Open the clamp lever (G) on the tuckpoint shroud and align the tabs (I) on the tuckpoint shroud with the slots (J) on the grinder gear case.

FIG. 2



3. With the clamp lever open, rotate the shroud into the desired working position. The shroud should be positioned between the spindle and the operator to provide optimum efficiency.

4. Close the clamp lever (G) to secure the tuckpoint shroud on the gear case. Do not operate the grinder with a loose tuckpoint shroud or the clamp lever in open position.
5. To remove the tuckpoint shroud, open the clamp lever, rotate the tuckpoint shroud to align the slots and tabs and pull up on the tuckpoint shroud.

**NOTE:** The tuckpoint shroud is pre-adjusted to the diameter of the gear case hub at the factory. If, after a period of time, the tuckpoint shroud becomes loose, tighten the clamp adjusting screw (B) with clamp lever in the closed position.

**NOTICE:** Do not tighten the clamp adjusting screw with the clamp lever in open position. Undetectable damage to the tuckpoint shroud or the mounting hub may result.

**NOTICE:** If tuckpoint shroud cannot be tightened by the clamp adjusting clamp, do not use tool. Take the tool and tuckpoint shroud to a service center to repair or replace the tuckpoint shroud.

### Mounting Cutting (Type 1) Wheels (Fig. 1)

**⚠ WARNING:** Only Type 1 Diamond Wheels shall be used with Tuck-Point Shroud. Do not cut metal. Do not use with bonded abrasive wheels.

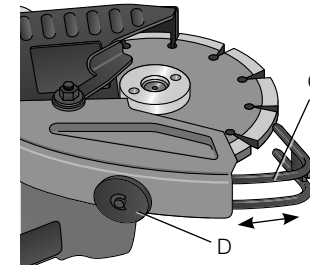
Follow the mounting and using cutting (Type 1) wheels instructions in the tool manual and mount the grinding wheel.

It may be necessary to open the cornering door to install 6" (152.4 mm) tuckpointing wheels, see **Cornering Door Application**.

### Depth of Cut Adjustment (Fig. 3)

1. Loosen the depth of cut shoe locking knob (D).
2. Slide the depth of cut shoe (C) to the desired position.
3. Tighten depth of cut shoe locking knob.

FIG. 3



### Corner Door Application (Fig. 4)

**⚠ WARNING:** To reduce the risk of injury, ALWAYS turn off tool and disconnect the tool from the power source before making any adjustments or removing or installing attachments or accessories. This applies to both the grinder and the dust extractor vacuum. Such preventative safety measures reduce the risk of starting the tool accidentally.

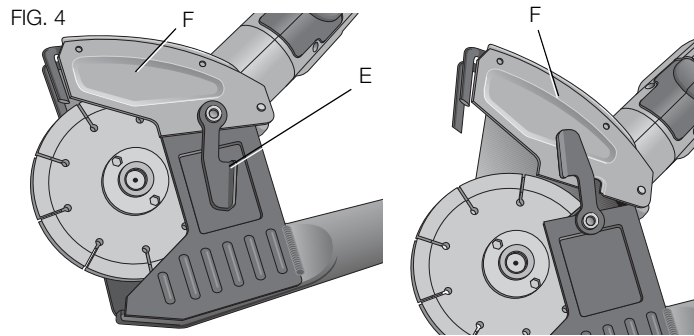
**⚠ WARNING:** Risk of personal injury. The corner door should only be opened for cutting inside corners. Keep hands and body away from cutting area at all times. Ensure corner door is closed in all other applications.

This feature allows the cutting of an inside corner.

1. Ensure the tool is off and wheel has come to a complete stop.
2. Turn cornering door locking lever (E) counterclockwise one full rotation. Grasp the corner door (F) and rotate open as shown in Figure 4.
3. Place hands away from the wheel area and position yourself so the open underside of the shroud is facing away from you.
4. Turn the tool on and allow the tool to reach full speed before touching the tool to the work surface.



5. Place the wheel onto the work surface and move the grinder from right to left to cut around the inside corner for best dust collection.
6. Remove the tool from work surface before turning tool off. Allow the tool to stop rotating before laying it down.
7. Close the corner door and lock in place using the cornering door locking lever (E).



### Dust Extraction (Fig. 1, 5)

**⚠ WARNING:** Use only power tools recommended by DEWALT with this attachment.

For more information about DEWALT power tools compatible with this attachment, please contact your local dealer, call 1-800-4-DEWALT (1-800-433-9258) or visit our website [www.dewalt.com](http://www.dewalt.com).

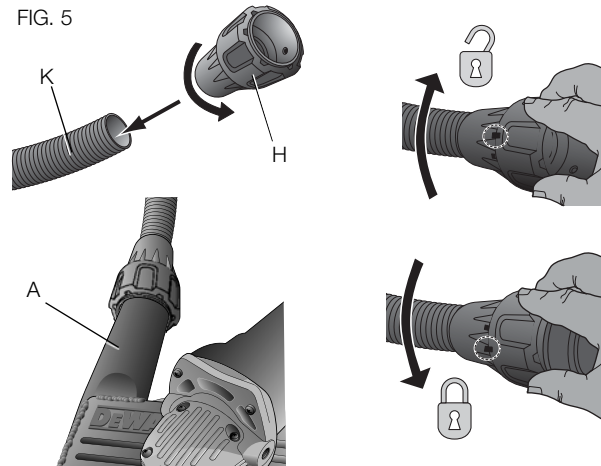
**⚠ WARNING:** This attachment **MUST BE** used with a dust extractor system. **ALWAYS** wear certified safety face or dust mask.

**NOTE:** Ensure hose connection is secure.

**NOTE:** The amount of dust retained by the dust extractor vacuum is dependent on its filter system. Refer to the dust extractor vacuum instruction manual for more information.

All DEWALT dust collection shrouds are designed to work with the DEWALT universal DWV9000 connector.

1. Attach the DWV9000 connector (H) to your dust collector hose (K).
2. Unlock the DWV9000 connector (H) and slide onto dust port (A).
3. Lock the DWV9000 connector (H) to secure.



### TRADITIONAL DUST EXTRACTOR VACUUM HOSES

Attach recommended dust extractor vacuum hose to dust port (A).

## OPERATION

**⚠ WARNING:** To reduce the risk of injury, **ALWAYS** turn off tool and disconnect the tool from the power source before making any adjustments or removing or installing attachments or accessories. This applies to both the grinder and the dust extractor vacuum. Such preventative safety measures reduce the risk of starting the tool accidentally.

**⚠ WARNING:** For your own safety, read the instruction manual for both the grinding tool and the dust extractor vacuum before using any accessory. Failure to heed these warnings may result in personal injury and serious damage to the tool and the accessory. When servicing this tool, use only identical replacement parts.

**⚠ WARNING:** Hold the side handle and body of the tool firmly to maintain control of the tool at start up and during use and until the wheel or accessory stops rotating. Make sure the wheel has come to a complete stop before laying the tool down.

**⚠ WARNING:** Ensure corner door is closed.

1. Ensure all assembly and adjustment instructions have been completed.
2. Turn the dust extractor vacuum on as instructed in the dust extractor vacuum instruction manual.
3. Start grinder as instructed in tool instruction manual.

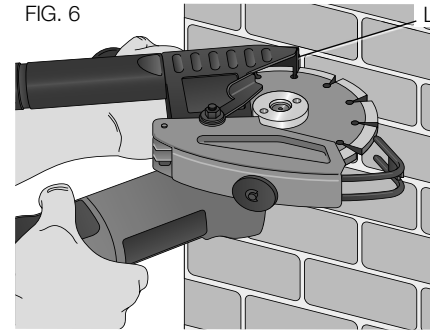
**NOTE:** Allow the tool to reach full speed before applying to the work surface.

### Tuckpointing and Cutting Application (Fig. 6)

1. Set the desired depth of cut, see **Depth of Cut Adjustment** under **Assembly and Adjustments**.
2. Allow the tool to reach full speed before touching it to the work surface.

3. Position yourself so the open underside of the shroud and the wheel are facing away from you.
4. Place the edge (L) of shroud onto the work surface and begin cut by plunging into the work surface. **NOTE:** Keep the edge (L) of the shroud against the work surface to ensure proper dust collection.
5. With the shroud oriented as shown in Figure 6, move the grinder right to left along the work surface. For the best results the grinder should be positioned at a 45° angle to the dust port when tuckpointing/cutting.
6. Remove the tool from work surface before turning off the tool. Allow the tool to stop rotating before laying it down.

FIG. 6



## MAINTENANCE

**⚠ WARNING:** To reduce the risk of injury, **ALWAYS** turn off tool and disconnect the tool from the power source before making any adjustments or removing or installing attachments or accessories. This applies to both the grinder and the dust extractor vacuum. Such preventative safety measures reduce the risk of starting the tool accidentally.

## Cleaning

**⚠ WARNING:** Blow dirt and dust out of all air vents with clean, dry air at least once a week. To minimize the risk of eye injury, always wear ANSI Z87.1 approved eye protection when performing this.

**⚠ WARNING:** Never use solvents or other harsh chemicals for cleaning the non-metallic parts of the tool. These chemicals may weaken the plastic materials used in these parts. Use a cloth dampened only with water and mild soap. Never let any liquid get inside the tool; never immerse any part of the tool into a liquid. Accessories

**⚠ WARNING:** Since accessories, other than those offered by DEWALT, have not been tested with this product, use of such accessories with this tool could be hazardous. To reduce the risk of injury, only DEWALT recommended accessories should be used with this product.

Recommended accessories for use with your tool are available at extra cost from your local dealer or authorized service center. If you need assistance in locating any accessory, please contact DEWALT Industrial Tool Co., 701 East Joppa Road, Baltimore, MD 21286, call 1-800-4-DEWALT (1-800-433-9258) or visit our website: [www.dewalt.com](http://www.dewalt.com).

## Repairs

To assure product SAFETY and RELIABILITY, repairs, maintenance and adjustment (including brush inspection and replacement) should be performed by a DEWALT factory service center, a DEWALT authorized service center or other qualified service personnel. Always use identical replacement parts.

## Three Year Limited Warranty

DEWALT will repair, without charge, any defects due to faulty materials or workmanship for three years from the date of purchase. This warranty does not cover part failure due to normal wear or tool abuse. For further detail of warranty coverage and warranty repair information,

visit [www.dewalt.com](http://www.dewalt.com) or call 1-800-4-DEWALT (1-800-433-9258). This warranty does not apply to accessories or damage caused where repairs have been made or attempted by others. This warranty gives you specific legal rights and you may have other rights which vary in certain states or provinces.

In addition to the warranty, DEWALT tools are covered by our:

### 1 YEAR FREE SERVICE

DEWALT will maintain the tool and replace worn parts caused by normal use, for free, any time during the first year after purchase.

### 90 DAY MONEY BACK GUARANTEE

If you are not completely satisfied with the performance of your DEWALT Power Tool, Laser, or Nailer for any reason, you can return it within 90 days from the date of purchase with a receipt for a full refund – no questions asked.

**LATIN AMERICA:** This warranty does not apply to products sold in Latin America. For products sold in Latin America, see country specific warranty information contained in the packaging, call the local company or see website for warranty information.

**FREE WARNING LABEL REPLACEMENT:** If your warning labels become illegible or are missing, call 1-800-4-DEWALT (1-800-433-9258) for a free replacement.

<b>DWE46100</b> 5" / 6" CUTTING / TUCKPOINTING SHROUD	
<b>⚠ WARNING</b>	TO REDUCE THE RISK OF INJURY, USER MUST READ INSTRUCTION MANUAL. FOR USE WITH TYPE 1 DIAMOND WHEELS ONLY. DO NOT CUT METAL. DO NOT USE WITH BONDED ABRASIVE WHEELS. ALWAYS USE PROPER EYE AND RESPIRATORY PROTECTION.
<b>⚠ ADVERTENCIA</b>	EL USUARIO DEBE LEER EL MANUAL DE INSTRUCCIONES PARA REDUCIR EL RIESGO DE LESIONES. SOLO DEBE UTILIZARSE CON MUELAS DE DIAMANTE TIPO 1. NO UTILIZAR CON MUELAS ABRASIVAS CON AGLOMERANTE. NO CORTAR METALES. SIEMPRE SE DEBERA LLEVAR LA PROTECCIÓN APROPIADA PARA LA VISTA Y PARA LAS VÍAS RESPIRATORIAS.
<b>⚠ AVERTISSEMENT</b>	POUR RÉDUIRE TOUT RISQUE DE DOMMAGES CORPORELS, L'UTILISATEUR DOIT LIRE LE MANUEL DE L'UTILISATEUR, UTILISER UNIQUEMENT AVEC DES MEULES DIAMANT DE TYPE 1. NE PAS UTILISER AVEC DES MEULES ABRASIVES COMPOSITES. NE DÉCUPER AUCUN MÉTAUX. IL FAUT TOUJOURS PORTER DE L'ÉQUIPEMENT DE PROTECTION OCULAIRE ET RESPIRATOIRE APPROPRIÉ.
DEWALT INDUSTRIAL TOOL CO. BALTIMORE, MD 21286 USA FOR SERVICE INFORMATION, CALL 1-800-4-DEWALT <a href="http://www.dewalt.com">www.dewalt.com</a>	

### Définitions : lignes directrices en matière de sécurité

Les définitions ci-dessous décrivent le niveau de danger pour chaque mot-indicateur employé. Lire le mode d'emploi et porter une attention particulière à ces symboles.

**⚠ DANGER** : indique une situation dangereuse imminente qui, si elle n'est pas évitée, **entraînera la mort ou des blessures graves**.

**⚠ AVERTISSEMENT** : indique une situation potentiellement dangereuse qui, si elle n'est pas évitée, **pourrait entraîner la mort ou des blessures graves**.

**⚠ ATTENTION** : indique une situation potentiellement dangereuse qui, si elle n'est pas évitée, **pourrait entraîner des blessures légères ou modérées**.

**AVIS** : indique une pratique ne posant **aucun risque de dommages corporels** mais qui par contre, si rien n'est fait pour l'éviter, **pourrait poser des risques de dommages matériels**.

POUR TOUTE QUESTION OU REMARQUE AU SUJET DE CET OUTIL OU DE TOUT AUTRE OUTIL DEWALT, COMPOSEZ LE NUMÉRO SANS FRAIS : 1-800-4-DEWALT (1-800-433-9258).



**AVERTISSEMENT** : afin de réduire le risque de blessures, lire le mode d'emploi de l'outil.

**CONSERVER TOUS LES AVERTISSEMENTS ET TOUTES LES DIRECTIVES POUR UN USAGE ULTÉRIEUR**

### Consignes générales de sécurité

**⚠ AVERTISSEMENT** : pour votre sécurité, lire le manuel de l'utilisateur de la meuleuse, mais aussi de l'aspirateur avant l'utilisation de tout accessoire. Tout manquement à ces avertissements augmente les risques de blessures, et les risques d'endommager sérieusement l'appareil et ses accessoires. Lors de la maintenance de cet outil, n'utiliser que des pièces de rechange identiques.

#### 1) SÉCURITÉ DU LIEU DE TRAVAIL

- Tenir l'aire de travail propre et bien éclairée.** Les lieux encombrés ou sombres sont propices aux accidents.
- Éloigner les enfants et les personnes à proximité pendant l'utilisation d'un outil électrique.** Une distraction pourrait en faire perdre la maîtrise à l'utilisateur.
- S'assurer que les lieux de travail sont bien aérés.** Toute exposition à la poussière sur des lieux de travail mal aérés pose des risques à la santé.

#### 2) SÉCURITÉ EN MATIÈRE D'ÉLECTRICITÉ

- Éviter tout contact physique avec des surfaces mises à la terre comme des tuyaux, des radiateurs, des cuisinières et des réfrigérateurs.** Le risque de choc électrique est plus élevé si votre corps est mis à la terre.

#### 3) SÉCURITÉ PERSONNELLE

- Être vigilant, surveiller le travail effectué et faire preuve de jugement lorsqu'un outil électrique est utilisé. Ne pas utiliser d'outil électrique en cas de fatigue ou sous l'influence de drogues, d'alcool ou de médicaments.** Un simple moment d'inattention en utilisant un outil électrique peut entraîner des blessures corporelles graves.
- Utiliser des équipements de protection individuelle. Toujours porter une protection oculaire.** L'utilisation d'équipements de protection comme un masque antipoussière, des chaussures antidérapantes, un casque de sécurité ou des

protecteurs auditifs lorsque la situation le requiert réduira les risques de blessures corporelles.

- c) **Ne pas trop tendre les bras. Conserver son équilibre en tout temps.** Cela permet de mieux maîtriser l'outil électrique dans les situations imprévues.
- d) **S'habiller de manière appropriée. Ne pas porter de vêtements amples ni de bijoux. Garder les cheveux, les vêtements et les gants à l'écart des pièces mobiles.** Les vêtements amples, les bijoux ou les cheveux longs risquent de rester coincés dans les pièces mobiles.

#### 4) UTILISATION ET ENTRETIEN D'UN OUTIL ÉLECTRIQUE

- a) **Ne pas forcer un outil électrique. Utiliser l'outil électrique approprié à l'application.** L'outil électrique approprié effectuera un meilleur travail, de façon plus sûre et à la vitesse pour laquelle il a été conçu.

**⚠ AVERTISSEMENT :** l'utilisation de tout accessoire ou pièce, ou l'exécution de toute opération avec cet outil, autre que celle recommandée dans ce manuel de l'utilisateur pose des risques de dommages corporels.

- b) **Ranger les outils électriques hors de la portée des enfants et ne permettre à aucune personne n'étant pas familière avec un outil électrique ou son mode d'emploi d'utiliser cet outil.** Les outils électriques deviennent dangereux entre les mains d'utilisateurs inexpérimentés.
- c) **Utiliser l'outil électrique, les accessoires, les forets, etc. conformément aux présentes directives en tenant compte des conditions de travail et du travail à effectuer.** L'utilisation d'un outil électrique pour toute opération autre que celle pour laquelle il a été conçu est dangereuse.

#### RÉPARATION

- a) **Faire réparer l'outil électrique par un réparateur professionnel en n'utilisant que des pièces de rechange**

**identiques.** Cela permettra de maintenir une utilisation sécuritaire de l'outil électrique.

#### Règles de sécurité propres au tronçonnage du béton

- **Ne pas utiliser des accessoires qui n'ont pas été spécialement conçus pour cet outil ou recommandés par son fabricant.** Le fait qu'un accessoire peut être connecté à l'outil ne veut pas automatiquement dire que son utilisation ne posera aucun risque.
- **La vitesse nominale des accessoires utilisés doit être équivalente ou supérieure à la vitesse maximale apposée sur l'outil.** Les accessoires utilisés à une vitesse plus rapide que leur vitesse nominale peuvent éclater ou se détacher de l'outil.
- **Le diamètre externe et l'épaisseur de l'accessoire utilisé doivent se conformer aux spécifications de la plaque signalétique de l'outil électrique.** Les accessoires aux spécifications incorrectes ne peuvent être ni maintenus ni contrôlés de façon adéquate.
- **L'alésage des meules, brides, tampons de soutien, ou de tout autre accessoire, doit correspondre parfaitement à la taille de la broche de l'outil.** Les accessoires dont l'alésage ne correspond pas au dispositif d'installation de l'outil électrique ne tourneront pas correctement, vibreront de façon excessive et pourront causer la perte de contrôle de l'outil.
- **Le dispositif de protection doit être solidement fixé à l'outil électrique et installé pour optimiser la sécurité pour que l'utilisateur soit le moins possible exposé à la meule.** Le carter aide à protéger l'utilisateur contre toute projection de fragments et contre tout contact avec la meule.
- **Tenir l'outil électrique par les surfaces isolées prévues à cet effet pendant toute utilisation où l'organe de coupe pourrait entrer en contact avec des fils électriques cachés ou son**

**propre cordon.** Tout contact de l'organe de coupe avec un fil sous tension met les parties métalliques exposées de l'outil électrique sous tension et électrocute l'utilisateur.

- **Utiliser systématiquement la poignée latérale. Fixer la poignée solidement.** La poignée latérale doit être systématiquement utilisée pour maîtriser l'outil en permanence.
  - **Ne pas utiliser d'accessoire endommagé. Avant toute utilisation, vérifier que les accessoires, comme les meules diamant et les tampons de soutien, ne comportent aucune fissure ou cassure, ou ne sont affectés d'aucune usure excessive, et que les fils des brosses métalliques ne sont ni lâches ni endommagés. En cas de chute, vérifier que l'outil électrique ou l'accessoire n'a pas été endommagé, et remplacer toute pièce abîmée. Après avoir inspecté et installé un accessoire, se positionner, soi-même et tout individu présent, hors du plan de rotation de l'accessoire et laisser tourner l'outil une minute à sa vitesse à vide maximale.** En général, les accessoires endommagés se brisent pendant le temps d'essai.
  - **NE PAS meuler ou découper le métal avec une meule diamant.**
  - **Porter un équipement individuel de protection. Utiliser une protection faciale et des lunettes ou un masque de protection. Si approprié, porter un masque anti-poussières, une protection auditive, des gants et un tablier d'atelier capables de vous protéger contre toute projection abrasive ou tout fragment.** La protection oculaire doit pouvoir arrêter toute projection de débris engendrés par des opérations diverses. Le masque anti-poussières, ou l'appareil de protection des voies respiratoires, doit pouvoir filtrer les particules engendrées par l'opération en cours. Toute exposition prolongée à un haut niveau de décibels peut occasionner une perte de l'acuité auditive.
  - **Ne pas « bloquer » la meule à tronçonner ou lui appliquer une pression excessive. Ne pas effectuer des profondeurs de coupe excessives.** Surcharger la meule augmente la contrainte sur l'outil et les risques de torsion ou grippage de la meule dans la coupe et, en conséquence, les risques de rebonds ou de cassure de la meule.
  - **Positionner le cordon hors du chemin de l'accessoire en rotation.** En cas de perte de contrôle de l'outil, le cordon pourrait être coupé ou arraché, et les mains ou bras pourraient entrer en contact avec l'accessoire en rotation.
  - **Attendre systématiquement l'arrêt complet de l'accessoire avant de poser l'outil électrique.** L'accessoire en rotation pourrait s'accrocher à une surface et vous faire perdre le contrôle de l'outil électrique.
  - **Ne pas laisser l'outil électrique tourner alors que vous le transportez à votre côté.** Tout contact accidentel de l'accessoire en rotation pourrait faire que ce dernier s'accroche aux vêtements et entre en contact avec le corps.
  - **Nettoyer régulièrement les orifices d'aération de l'outil.** Le ventilateur du moteur attirera de la poussière à l'intérieur du boîtier et l'accumulation excessive de poussières métalliques pose des risques d'électrocution.
  - **Ne pas utiliser cet outil électrique à proximité de matériaux inflammables,** car des étincelles pourraient les enflammer.
  - **Ne pas utiliser d'accessoires nécessitant l'utilisation de réfrigérants fluides.** L'utilisation d'eau ou de réfrigérants fluides pose des risques d'électrocution ou de chocs électriques.
  - **NE PAS utiliser de meules abrasives.**
- ⚠AVERTISSEMENT : lorsqu'elle est inutilisée, déposer la meuleuse sur une surface stable où elle sera immobile et ne risquera pas de rouler ou de faire trébucher ou chuter quiconque.** Cela pose des risques de dommages corporels graves.



- **Utiliser SYSTÉMATIQUEMENT un système de dépoussiérage.**

⚠ **AVERTISSEMENT** : porter **SYSTÉMATIQUEMENT** des lunettes de protection. Les lunettes courantes NE sont PAS des lunettes de protection. Utiliser aussi un masque antipoussières si la découpe doit en produire beaucoup. Porter SYSTÉMATIQUEMENT un équipement de sécurité homologué :

- Protection oculaire ANSI Z87.1 (CAN/CSA Z94.3);
- Protection auditive ANSI S12.6 (S3.19 ;
- Protection des voies respiratoires NIOSH/OSHA/MSHA.

⚠ **AVERTISSEMENT** : les scies, meules, ponceuses, perceuses ou autres outils de construction peuvent produire des poussières contenant des produits chimiques reconnus par l'État californien pour causer cancers, malformations congénitales ou être nocifs au système reproducteur. Parmi ces produits chimiques, on retrouve :

- Le plomb dans les peintures à base de plomb;
- La silice cristallisée dans les briques et le ciment, ou autres produits de maçonnerie; et
- L'arsenic et le chrome dans le bois ayant subi un traitement chimique.

Le risque associé à de telles expositions varie selon la fréquence à laquelle on effectue ces travaux. Pour réduire toute exposition à ces produits : travailler dans un endroit bien aéré, en utilisant du matériel de sécurité homologué tel un masque antipoussières spécialement conçu pour filtrer les particules microscopiques.

- **Limiter toute exposition prolongée avec les poussières provenant du ponçage, sciage, meulage, perçage ou toute autre activité de construction. Porter des vêtements de protection et nettoyer à l'eau savonneuse les parties du corps exposées.** Le fait de laisser la poussière pénétrer dans la bouche, les yeux ou la peau peut favoriser l'absorption de produits chimiques dangereux.

⚠ **AVERTISSEMENT** : cet outil peut produire et/ou répandre de la poussière susceptible de causer des dommages sérieux et permanents au système respiratoire. Utiliser systématiquement un appareil respiratoire antipoussières homologué par le NIOSH ou l'OSHA. Diriger les particules dans le sens opposé au visage et au corps.

⚠ **AVERTISSEMENT** : avant de se mettre au travail, s'assurer de déterminer la classification des dangers posés par les poussières produites. Utiliser un aspirateur industriel de la classe officielle de sécurité, appropriée et homologuée, conformément aux consignes locales de lutte contre les risques posés par les poussières.

⚠ **AVERTISSEMENT** : porter systématiquement une protection auditive individuelle appropriée. Sous certaines conditions et suivant la durée d'utilisation, le bruit émanant de ce produit pourrait contribuer à une perte de l'acuité auditive.

### **Causes de l'effet de rebond et prévention par l'opérateur**

L'effet de rebond est une réaction soudaine d'une meule, d'un tampon, d'une brosse ou d'un tout autre accessoire, en mouvement, qui est pincé ou qui s'accroche. Un pincement ou un accrochage provoque un arrêt rapide de l'accessoire en mouvement qui, à son tour, projette l'outil électrique, hors de maîtrise, dans la direction opposée à la rotation de l'outil au point de grippage.

Par exemple, si une meule diamant reste accrochée ou pincée dans une pièce à travailler, le bord de la meule engagée au point de grippage peut s'enfoncer dans la surface du matériau et faire sauter ou rebondir la meule. La meule peut alors rebondir en direction ou à l'opposé de l'utilisateur, selon le sens du mouvement de la meule au point de grippage. Dans ces conditions, il peut aussi arriver que les meules diamant se brisent.

Un effet de rebond est le résultat d'une mauvaise utilisation de l'outil et/ou de procédures ou conditions de fonctionnement incorrectes. Il peut être évité en prenant les précautions nécessaires telles que décrites ci-dessous :

- a) **Saisir fermement l'outil électrique et positionner le corps et les bras de sorte à résister à la force de l'effet de rebond. Utiliser toujours la poignée auxiliaire, s'il y en a une, pour contrôler au maximum l'effet de rebond ou le couple de réaction au démarrage.** Avec de bonnes précautions, l'opérateur est en mesure de contrôler le couple de réaction ou l'effet de rebond.
- b) **Ne jamais placer les mains près de l'accessoire en mouvement.** Il pourrait en effet être projeté sur celles-ci en cas de rebond.
- c) **Ne pas positionner le corps dans la trajectoire probable de l'outil électrique, en cas de rebond.** Au moment du grippage, l'outil sera projeté dans la direction opposée au déplacement de la meule.
- d) **Être particulièrement attentif lors de travaux dans un coin, sur des bords tranchants, etc. Éviter de faire rebondir l'accessoire. Éviter tout type de grippage de l'accessoire.** Un travail dans un coin ou sur des bords tranchants ou un travail en faisant rebondir l'accessoire provoquent souvent un grippage et une perte de maîtrise de l'outil ou un effet de rebond.
- e) **Ne pas fixer de lame de tronçonneuse pour sculpter le bois ou de lame de scie dentée.** Ces types de lames provoquent des effets de rebond et des pertes de maîtrise fréquents.

### **CONSERVER CES CONSIGNES POUR UTILISATION ULTÉRIEURE**

### **DESCRIPTION (FIG. 1)**

**⚠ AVERTISSEMENT :** ne jamais modifier l'outil électrique ni aucun de ses composants, car il y a risques de dommages corporels ou matériels.

- A. Buse de dépoussiérage
- B. Vis de réglage du collier de serrage
- C. Butée de profondeur de coupe
- D. Bouton de verrouillage de butée de profondeur de coupe
- E. Levier de verrouillage du capot de coin (verrouille et déverrouille le capot de coin)
- F. Capot de coin (amovible pour permettre de couper à l'intérieur d'un coin)
- G. Levier de serrage

### **USAGE PRÉVU**

Votre carter de tronçonnage du béton a été conçu pour effectuer des applications professionnelles de maçonnerie de tronçonnage du béton. Il n'a pas été conçu pour être utilisé sur le métal ou le bois. Avec l'utilisation d'une meuleuse à disque, une meule et d'un aspirateur appropriés, le carter de tronçonnage du béton peut être utilisé pour retirer une vaste majorité des poussières statiques atmosphériques qui en son absence pourraient contaminer l'environnement de travail ou poser des risques accrus pour la santé de l'utilisateur et de ceux à proximité.

**NE PAS** les utiliser en milieu ambiant humide ou en présence de liquides ou de gaz inflammables.

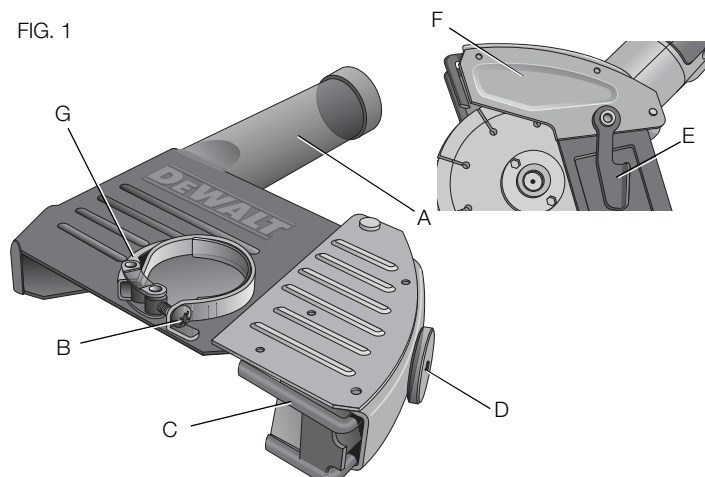
Ce carter de tronçonnage du béton est un outil de professionnel. **NE PAS** le laisser à la portée des enfants. Une supervision est nécessaire auprès de tout utilisateur non expérimenté.

Les outils électriques recommandés pour être utilisés avec cet accessoire sont vendus séparément auprès de votre distributeur



local ou dans les centres de réparation agréés. Si vous avez besoin d'aide pour localiser ces outils électriques, veuillez contacter DEWALT Industrial Tool Co., 701 East Joppa Road, Baltimore, MD 21286, ou appeler 1-800-4-DEWALT (1-800-433-9258) ou vous rendre sur notre site [www.dewalt.com](http://www.dewalt.com).

FIG. 1



### ASSEMBLAGE ET RÉGLAGE (FIG. 1, 2)

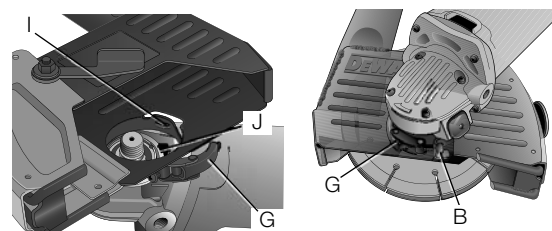
**⚠ AVERTISSEMENT :** pour réduire le risque de blessures, arrêter et débrancher **SYSTÉMATIQUEMENT** l'outil avant tout réglage ou avant de retirer ou installer toute pièce ou tout accessoire. Cela s'applique aussi bien à la meuleuse à disque qu'à l'aspirateur. Ces mesures préventives de sécurité réduisent les risques de démarrage accidentel de l'outil.

### Installation et retrait du carter de tronçonnage du béton

**REMARQUE :** il est recommandé d'utiliser uniquement ce carter de tronçonnage du béton avec les petites meuleuses angulaires industrielles DWE46102.

1. Suivez les instructions de la section Installation et retrait du dispositif de protection dans le manuel de l'outil pour retirer ce dispositif de la meuleuse (DWE46102).
2. Ouvrez le levier de serrage (G) sur le carter de tronçonnage du béton puis alignez les languettes (I) du carter de tronçonnage du béton sur les encoches (J) du carter d'engrenage de la meuleuse.

FIG. 2



3. Avec le levier de serrage toujours ouvert, faites pivoter le carter sur la position de travail désirée. Le carter de tronçonnage du béton devrait se trouver entre la broche et l'utilisateur pour maximiser son efficacité.
4. Refermez le levier de serrage (G) pour fixer le carter de tronçonnage du béton sur le carter d'engrenage. N'utilisez pas la meuleuse si le carter de tronçonnage du béton est lâche ou si son levier de serrage est ouvert.

Français

5. Pour retirer le carter de tronçonnage du béton, ouvrez le levier de serrage, faites pivoter le carter de tronçonnage du béton pour aligner les encoches sur les languettes puis retirez le carter de tronçonnage du béton.

**REMARQUE :** le carter de tronçonnage du béton est pré réglé d'usine au diamètre du moyeu du carter d'engrenage. S'il s'avérait après un certain temps que le carter de tronçonnage du béton se desserre, resserrez la vis de réglage du collier de serrage (B) avec le levier de serrage en position fermée.

**AVIS :** ne pas resserrer la vis de réglage du collier de serrage si le levier de serrage est en position ouverte. Le carter de tronçonnage du béton ou le moyeu d'assemblage pourrait subir des dommages indélécelables.

**AVIS :** s'il est impossible de resserrer le carter de tronçonnage du béton avec la vis de réglage du collier de serrage, ne pas utiliser l'outil. Apportez l'outil et le carter de tronçonnage du béton chez un centre de réparation pour faire réparer ou remplacer ce dernier.

### Installation de meules à tronçonner (Type 1, Fig. 1)

**⚠ AVERTISSEMENT :** utiliser exclusivement des meules diamant de type 1 avec le carter de tronçonnage du béton. Ne découper aucun métal. Ne pas utiliser avec des meules abrasives composites.

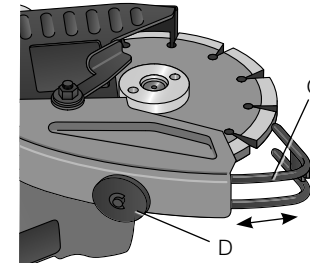
Suivez les instructions de la section Installation et utilisation des meules à tronçonner (Type 1) dans le manuel de l'outil pour installer la meule.

Il pourra s'avérer nécessaire d'ouvrir le capot de coin pour installer les meules à tronçonner le béton de 152,4 mm (6 po), reportez-vous à la section **Applications : capot de coin**.

### Réglage de la profondeur de coupe (Fig. 3)

1. Desserrez le bouton de verrouillage de butée de profondeur de coupe (D).
2. Poussez la butée de profondeur de coupe (C) sur la position désirée.
3. Resserrez le bouton de verrouillage de butée de profondeur de coupe.

FIG. 3



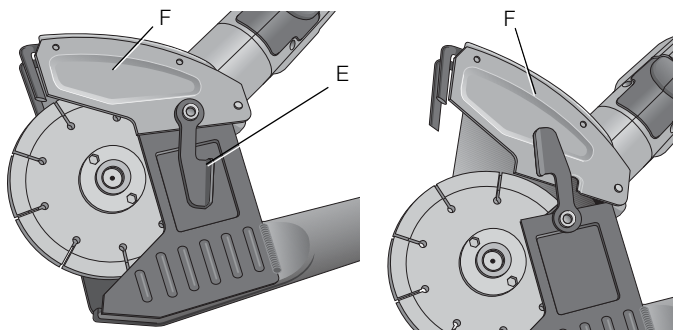
### Applications : capot de coin (Fig. 4)

**⚠ AVERTISSEMENT :** pour réduire le risque de blessures, arrêter et débrancher **SYSTÉMATIQUEMENT** l'outil avant tout réglage ou avant de retirer ou installer toute pièce ou tout accessoire. Cela s'applique aussi bien à la meuleuse à disque qu'à l'aspirateur. Ces mesures préventives de sécurité réduisent les risques de démarrage accidentel de l'outil.

**⚠ AVERTISSEMENT :** risques de dommages corporels. Le capot de coin ne doit être ouvert que pour couper l'intérieur des coins. Garder systématiquement les mains et le corps éloignés des zones de coupe. S'assurer que le capot de coin est fermé pour toute autre application. Cette fonctionnalité permet de couper à l'intérieur d'un coin.

1. Assurez-vous de l'arrêt complet de l'outil et de la meule.
2. Tournez le levier de verrouillage du capot de coin (E) vers la gauche d'un tour complet. Saisissez le capot de coin (F) et faites-le pivoter pour l'ouvrir, comme illustré en Figure 4.
3. Protégez vos mains de la meule et positionnez-vous de façon à ce que le dessous ouvert du carter soit à votre opposé.
4. Mettez l'outil en marche et laissez-le tourner à plein régime avant de le mettre en contact avec la surface à travailler.
5. Placez la meule sur la surface à travailler et déplacez la meuleuse de la droite vers la gauche pour couper à l'intérieur du coin tout en maximisant la collecte des poussières.
6. Retirez l'outil de la pièce à travailler avant de l'arrêter. Laissez l'outil s'arrêter complètement de tourner avant de le poser.
7. Fermez le capot de coin et verrouillez-le à l'aide du levier de verrouillage de capot de coin (E).

FIG. 4



### Dépoussiérage (Fig. 1, 5)

**⚠ AVERTISSEMENT :** utiliser exclusivement les outils électriques recommandés par DEWALT avec cet accessoire.

Pour plus d'informations concernant les outils électriques DEWALT compatibles avec cet accessoire, contacter votre détaillant local, appeler le 1-800-4-DEWALT (1-800-433-9258) ou se rendre sur notre site [www.dewalt.com](http://www.dewalt.com).

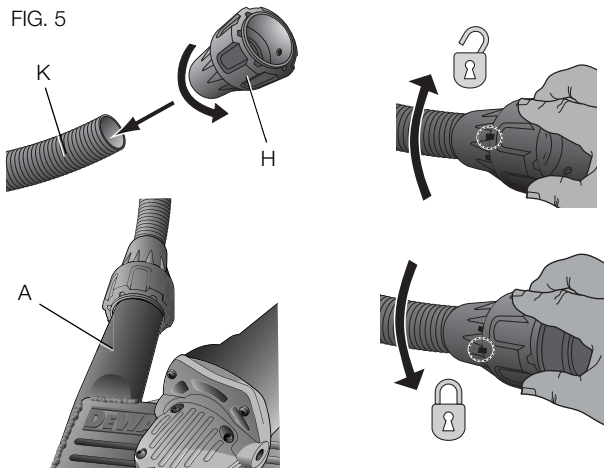
**⚠ AVERTISSEMENT :** cet accessoire DOIT ÊTRE utilisé avec un extracteur de poussière. Porter SYSTÉMATIQUEMENT un écran facial ou un masque anti-poussières de sécurité homologué.

**REMARQUE :** vérifier que la connexion tuyau est fiable.

**REMARQUE :** la quantité de poussière éliminée par l'aspirateur dépend de son système de filtrage. Se reporter au manuel de l'utilisateur de l'aspirateur pour des informations complémentaires.

Tous les carters d'aspiration DEWALT ont été conçus pour fonctionner avec les connecteurs universels DWV9000 DeWALT.

1. Rattachez le connecteur DWV9000 (H) au tuyau de votre système de dépoussiérage (K).
2. Déverrouillez le connecteur DWV9000 (H) et l'insérez sur la buse de dépoussiérage (A).
3. Verrouillez le connecteur DWV9000 (H) pour l'arrimer.



#### TUYAUX D'ASPIRATEUR TRADITIONNELS

Rattachez le tuyau d'aspirateur recommandé à la buse de dépoussiérage (A).

#### UTILISATION

**⚠ AVERTISSEMENT :** pour réduire le risque de blessures, arrêter et débrancher **SYSTÉMATIQUEMENT** l'outil avant tout réglage ou avant de retirer ou installer toute pièce ou tout accessoire. Cela s'applique aussi bien à la meuleuse à disque qu'à l'aspirateur. Ces mesures préventives de sécurité réduisent les risques de démarrage accidentel de l'outil.

**⚠ AVERTISSEMENT :** pour votre sécurité, lire le manuel de l'utilisateur de la meuleuse, mais aussi de l'aspirateur avant l'utilisation de tout accessoire. Tout manquement à ces avertissements augmente

les risques de blessures, et les risques d'endommager sérieusement l'appareil et ses accessoires. Lors de la maintenance de cet outil, n'utiliser que des pièces de rechange identiques.

**⚠ AVERTISSEMENT :** saisir fermement la poignée latérale et le corps de l'outil pour le maîtriser à l'amorçage, en cours de fonctionnement et jusqu'à l'arrêt complet de la meule ou de l'accessoire. S'assurer que la meule soit vraiment immobile avant de déposer l'outil.

**⚠ AVERTISSEMENT :** s'assurer que le capot de coin est fermé.

1. Assurez-vous que toutes les instructions d'assemblage et de réglage ont bien été suivies.
2. Allumez l'aspirateur comme indiqué dans le manuel de l'utilisateur de l'aspirateur.
3. Mettez la meuleuse à disque en marche comme indiqué dans le manuel de l'utilisateur de l'outil.

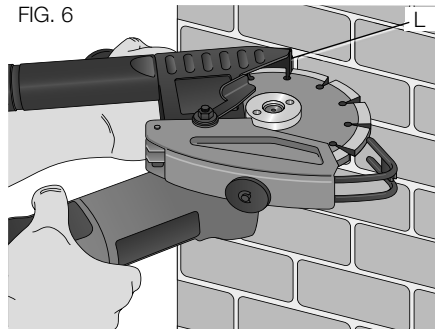
**REMARQUE :** laisser l'outil tourner à plein régime avant de le mettre en contact avec la surface à travailler.

#### Applications de tronçonnage et de coupe du béton (Fig. 6)

1. Réglez la profondeur de coupe désirée, reportez-vous à la section Réglage de la **Profondeur de coupe** sous **Assemblage et réglages**.
2. Laissez l'outil tourner à plein régime avant de le mettre en contact avec la surface à travailler.
3. Positionnez-vous de façon à ce que le dessous ouvert du carter et la meule soient orientés à l'opposée de vous.
4. Placez le bord (L) du carter sur la surface à travailler et commencez à couper en plongeant dans la surface à travailler. **REMARQUE :** maintenir le bord (L) du carter contre la surface à travailler pour assurer la collecte correcte de la poussière.

5. Avec le carter orienté comme illustré en Figure 6, déplacez la meuleuse de la droite vers la gauche le long de la surface à travailler. Pour des résultats optimaux, la meuleuse doit être positionnée à un angle de 45° de la buse de dépoussiérage lors du tronçonnage du béton.
6. Retirez l'outil de la pièce à travailler avant de l'arrêter. Laissez l'outil s'arrêter complètement de tourner avant de le poser.

FIG. 6



## MAINTENANCE

**⚠ AVERTISSEMENT :** pour réduire le risque de blessures, arrêter et débrancher **SYSTÉMATIQUEMENT** l'outil avant tout réglage ou avant de retirer ou installer toute pièce ou tout accessoire. Cela s'applique aussi bien à la meuleuse à disque qu'à l'aspirateur. Ces mesures préventives de sécurité réduisent les risques de démarrage accidentel de l'outil.

## Nettoyage

**⚠ AVERTISSEMENT :** enlever les saletés et la poussière hors des événements au moyen d'air comprimé propre et sec, au moins une fois par semaine. Pour minimiser le risque de blessure aux yeux, toujours

porter une protection oculaire conforme à la norme ANSI Z87.1 lors du nettoyage.

**⚠ AVERTISSEMENT :** ne jamais utiliser de solvants ni d'autres produits chimiques puissants pour nettoyer les pièces non métalliques de l'outil. Ces produits chimiques peuvent affaiblir les matériaux de plastique utilisés dans ces pièces. Utiliser un chiffon humecté uniquement d'eau et de savon doux. Ne jamais laisser de liquide pénétrer dans l'outil et n'immerger aucune partie de l'outil dans un liquide.

**⚠ AVERTISSEMENT :** puisque les accessoires autres que ceux offerts par DEWALT n'ont pas été testés avec ce produit, leur utilisation pourrait s'avérer dangereuse. Pour réduire le risque de blessures, utiliser exclusivement les accessoires DEWALT recommandés avec le présent produit.

Les accessoires recommandés pour cet outil sont vendus séparément au centre de service de votre région. Pour obtenir de l'aide concernant l'achat d'un accessoire, communiquer avec DEWALT Industrial Tool Co., 701 East Joppa Road, Baltimore, MD 21286 aux États-Unis; composer le 1 800 433-9258 (1 800 4-DEWALT) ou visiter notre site Web : [www.dewalt.com](http://www.dewalt.com).

## Réparations

Pour assurer la SÉCURITÉ et la FIABILITÉ du produit, les réparations, l'entretien et les réglages doivent être réalisés (cela comprend l'inspection et le remplacement du balai) par un centre de réparation en usine DEWALT, un centre de réparation agréé DEWALT ou par d'autres techniciens qualifiés. Toujours utiliser des pièces de rechange identiques.

## Garantie limitée de trois ans

DEWALT réparera, sans frais, tout produit défectueux causé par un défaut de matériel ou de fabrication pour une période de trois ans à compter de la date d'achat. La présente garantie ne couvre pas les

pièces dont la défectuosité a été causée par une usure normale ou l'usage abusif de l'outil. Pour obtenir de plus amples renseignements sur les pièces ou les réparations couvertes par la présente garantie, visiter le site [www.dewalt.com](http://www.dewalt.com) ou composer le 1 800 433-9258 (1 800 4-DEWALT). Cette garantie ne s'applique pas aux accessoires et ne vise pas les dommages causés par des réparations effectuées par un tiers. Cette garantie confère des droits légaux particuliers à l'acheteur, mais celui-ci pourrait aussi bénéficier d'autres droits variant d'un état ou d'une province à l'autre.

En plus de la présente garantie, les outils DEWALT sont couverts par notre :

#### CONTRAT D'ENTRETIEN GRATUIT D'UN AN

DEWALT entretiendra l'outil et remplacera les pièces usées au cours d'une utilisation normale et ce, gratuitement, pendant une période d'un an à compter de la date d'achat.

#### GARANTIE DE REMBOURSEMENT DE 90 JOURS

Si l'acheteur n'est pas entièrement satisfait, pour quelque raison que ce soit, du rendement de l'outil électrique, du laser ou de la cloueuse DEWALT, celui-ci peut le retourner, accompagné d'un reçu, dans les 90 jours à compter de la date d'achat pour obtenir un remboursement intégral, sans aucun problème.

**AMÉRIQUE LATINE :** cette garantie ne s'applique aux produits vendus en Amérique latine. Pour ceux-ci, veuillez consulter les informations relatives à la garantie spécifique présente dans l'emballage, appeler l'entreprise locale ou consulter le site Web pour les informations relatives à cette garantie.

**REMPACEMENT GRATUIT DES ÉTIQUETTES D'AVERTISSEMENT :** si les étiquettes d'avertissement deviennent illisibles ou sont manquantes, composer le 1 800 433-9258 (1 800 4-DEWALT) pour en obtenir le remplacement gratuit.



### **Definiciones: Normas de seguridad**

Las siguientes definiciones describen el nivel de gravedad de cada palabra de señal. Lea el manual y preste atención a estos símbolos.

**⚠ PELIGRO:** indica una situación de peligro inminente que, si no se evita, provocará **la muerte o lesiones graves**.

**⚠ ADVERTENCIA:** indica una situación de peligro potencial que, si no se evita, **podría provocar la muerte o lesiones graves**.

**⚠ ATENCIÓN:** indica una situación de peligro potencial que, si no se evita, **posiblemente provocaría lesiones leves o moderadas**.

**AVISO:** se refiere a una práctica **no relacionada a lesiones corporales** que de no evitarse **puede resultar en daños a la propiedad**.

SI TIENE ALGUNA DUDA O ALGÚN COMENTARIO SOBRE ÉSTA U OTRA HERRAMIENTA DEWALT, LLÁMENOS AL NÚMERO GRATUITO: 1-800-4-DEWALT (1-800-433-9258).



**ADVERTENCIA:** Para reducir el riesgo de lesiones, lea el manual de instrucciones.

### **CONSERVE TODAS LAS ADVERTENCIAS E INSTRUCCIONES PARA FUTURAS CONSULTAS**

#### **Advertencias generales sobre seguridad**



**ADVERTENCIA:** Por su propia seguridad, lea el manual de instrucciones para la esmeriladora y la aspiradora extractora de

polvo antes de usar los accesorios. De no seguir estas advertencias podrían producirse lesiones corporales y graves daños a la herramienta y al accesorio. Cuando realice el mantenimiento de esta herramienta, utilice únicamente repuestos originales.

#### **1) SEGURIDAD EN EL ÁREA DE TRABAJO**

- a) **Mantenga el área de trabajo limpia y bien iluminada.** Las áreas abarrotadas y oscuras propician accidentes.
- b) **Mantenga alejados a los niños y a los espectadores de la herramienta eléctrica en funcionamiento.** Las distracciones pueden provocar la pérdida de control.
- c) **Asegúrese de que el lugar de trabajo esté bien ventilado.** La exposición al polvo en un lugar de trabajo con poca ventilación puede dar como resultado el deterioro de la salud.

#### **2) SEGURIDAD ELÉCTRICA**

- a) **Evite el contacto corporal con superficies con descargas a tierra como, por ejemplo, tuberías, radiadores, cocinas eléctricas y refrigeradores.** Existe mayor riesgo de descarga eléctrica si su cuerpo está puesto a tierra.

#### **3) SEGURIDAD PERSONAL**

- a) **Permanezca alerta, controle lo que está haciendo y utilice el sentido común cuando emplee una herramienta eléctrica. No utilice una herramienta eléctrica si está cansado o bajo el efecto de drogas, alcohol o medicamentos.** Un momento de descuido mientras se opera una herramienta eléctrica puede provocar lesiones personales graves.
- b) **Utilice equipos de protección personal. Siempre utilice protección para los ojos.** En las condiciones adecuadas, el uso de equipos de protección, como máscaras para polvo, calzado de seguridad antideslizante, cascos o protección auditiva, reducirá las lesiones personales.



- c) **No se estire. Conserve el equilibrio y párese adecuadamente en todo momento.** Esto permite un mejor control de la herramienta eléctrica en situaciones inesperadas.
- d) **Use la vestimenta adecuada. No use ropas holgadas ni joyas. Mantenga el cabello, la ropa y los guantes alejados de las piezas en movimiento.** Las ropas holgadas, las joyas o el cabello largo pueden quedar atrapados en las piezas en movimiento.
- 4) USO Y MANTENIMIENTO DE LA HERRAMIENTA ELÉCTRICA**
- a) **No fuerce la herramienta eléctrica. Utilice la herramienta eléctrica correcta para el trabajo que realizará.** Si se la utiliza a la velocidad para la que fue diseñada, la herramienta eléctrica correcta permite trabajar mejor y de manera más segura.
- ⚠ADVERTENCIA:** El uso de accesorios o adaptadores, o el desempeño de cualquier operación con esta herramienta, distintos a los recomendados en este manual de instrucciones puede representar un riesgo de lesiones personales.
- b) **Guarde la herramienta eléctrica que no esté en uso fuera del alcance de los niños y no permita que otras personas no familiarizadas con ella o con estas instrucciones operen la herramienta.** Las herramientas eléctricas son peligrosas si son operadas por usuarios no capacitados.
- c) **Utilice la herramienta eléctrica, los accesorios y las brocas de la herramienta, etc. de acuerdo con estas instrucciones y teniendo en cuenta las condiciones de trabajo y el trabajo que debe realizarse.** El uso de la herramienta eléctrica para operaciones diferentes de aquéllas para las que fue diseñada podría originar una situación peligrosa.

## 5) MANTENIMIENTO

- a) **Solicite a una persona calificada en reparaciones que realice el mantenimiento de su herramienta eléctrica y que sólo utilice piezas de repuesto idénticas.** Esto garantizará la seguridad de la herramienta eléctrica.

### Normas de seguridad para rejuntar

- **No utilice accesorios que no estén diseñados y recomendados específicamente por el fabricante de la herramienta.** El hecho de que el accesorio pueda acoplarse a la herramienta eléctrica no garantiza un funcionamiento sin riesgos.
- **La velocidad prevista del accesorio debe ser como mínimo igual a la velocidad máxima marcada en la herramienta eléctrica.** Los accesorios operados a velocidades superiores a su velocidad nominal pueden romperse y salir despedidos.
- **El diámetro externo y el grosor del accesorio deben estar dentro de la capacidad de su herramienta eléctrica.** Los accesorios de tamaños incorrectos no pueden ser protegidos o controlados adecuadamente.
- **El tamaño del eje de los discos, las bridas, almohadillas de respaldo o cualquier otro accesorio debe acoplarse bien al eje de la herramienta eléctrica.** Los accesorios que tienen orificios para montaje en eje que no se corresponden con los accesorios de montaje de la herramienta eléctrica harán que la herramienta pierda el equilibrio, vibre excesivamente y que el operador pierda el control de la herramienta.
- **El protector debe ir firmemente ajustado a la herramienta eléctrica y en posición para el máximo de seguridad, de modo que se exponga la menor parte posible del disco al operador.** El protector ayuda a proteger al operador de los fragmentos despedidos por discos rotos y el contacto accidental con el disco.



- **Sostenga la herramienta eléctrica solamente en superficies de agarre aisladas cuando realice una operación en la cual el accesorio para cortar pudiera entrar en contacto con instalaciones eléctricas ocultas o su propio cable.** El contacto de los accesorios de corte con un cable cargado, puede cargar las partes metálicas expuestas de la herramienta eléctrica y producir una descarga eléctrica al operador.
- **Siempre use el mango lateral. Apriete con firmeza el mango.** Se debe utilizar siempre el mango lateral para mantener el control de la herramienta en todo momento.
- **No utilice un accesorio dañado. Antes de cada uso inspeccione el accesorio, como por ejemplo el disco de diamante, para verificar si tiene muescas o grietas, la almohadilla de respaldo para verificar si tiene grietas o roturas o si está muy desgastada, la escobilla de alambre para comprobar si tiene alambres sueltos o agrietados. Si la herramienta o el accesorio se cae accidentalmente, revise que no esté dañado o, si es necesario, cambie el accesorio por uno que no esté dañado. Después de inspeccionar e instalar un accesorio, colóquense usted y las personas presentes alejados del plano del accesorio en movimiento y ponga la herramienta eléctrica en funcionamiento a la velocidad sin carga máxima durante un minuto.** Si el accesorio está dañado, normalmente se terminará de romper durante este período de prueba.
- **NO esmerile ni corte metal con un disco de diamante.**
- **Póngase un equipo de protección personal. Dependiendo de la aplicación, use un protector facial y gafas protectoras. Si corresponde, póngase una mascarilla antipolvo, protectores para el oído, guantes y un delantal de trabajo que pueda detener pequeños fragmentos abrasivos o de la pieza de trabajo.** La protección ocular utilizada debe ser capaz de detener desechos despedidos por las diversas operaciones realizadas con la herramienta. La máscara antipolvo o el respirador debe poder filtrar partículas generadas por la operación realizada. La exposición prolongada a ruidos de alta intensidad puede causar pérdida auditiva.
- **No "atasque" el disco de corte ni aplique excesiva presión. No intente hacer un corte de profundidad excesiva.** El ejercer demasiada presión sobre el disco aumenta la carga y la susceptibilidad de giro o bloqueo del disco en el corte y la posibilidad de rebote o rotura del disco.
- **Coloque el cable lejos del accesorio rotativo.** Si pierde el control, el cable puede cortarse o engancharse y puede arrastrar a la mano o el brazo hacia el accesorio rotativo.
- **Nunca suelte la herramienta hasta que el accesorio haya dejado de girar totalmente.** El accesorio rotativo puede aferrarse a la superficie y tirar de la herramienta, haciéndole perder el control de la misma.
- **No ponga en funcionamiento la herramienta eléctrica mientras la transporte a su lado.** El contacto accidental con el accesorio rotativo podría enganchar su ropa y tirar del accesorio hacia su cuerpo.
- **Limpie periódicamente los orificios de ventilación de la herramienta eléctrica.** El ventilador del motor atraerá el polvo dentro de la caja protectora y la acumulación excesiva del metal en polvo puede ocasionar riesgos eléctricos.
- **No utilice la herramienta eléctrica cerca de materiales inflamables.** Las chispas podrían prender fuego a estos materiales.
- **No utilice accesorios que requieran líquidos refrigerantes.** El utilizar agua u otros refrigerantes líquidos puede ocasionar electrocución o descarga.
- **NO use discos abrasivos.**
- **SIEMPRE use un colector de polvo.**

⚠ **ADVERTENCIA:** Cuando no la utilice, coloque la esmeriladora en una superficie estable donde no pueda moverse de manera accidental, deslizarse ni provocar tropezones o caídas. Puede resultar en lesiones corporales serias.

⚠ **ADVERTENCIA:** Use **SIEMPRE** lentes de seguridad. Los anteojos de diario NO SON lentes de seguridad. Utilice además una cubrebocas o mascarilla antipolvo si la operación de corte genera demasiado polvo. SIEMPRE lleve equipo de seguridad certificado:

- Protección ocular ANSI Z87.1 (CAN/CSA Z94.3).
- Protección auditiva ANSI S12.6 (S3.19)
- Protección respiratoria NIOSH/OSHA.

⚠ **ADVERTENCIA:** Algunas partículas de polvo generadas al lijar, serrar, esmerilar y taladrar con herramientas eléctricas, así como al realizar otras actividades de construcción, contienen químicos que el Estado de California sabe que pueden producir cáncer, defectos congénitos u otras afecciones reproductivas. Ejemplos de estos químicos son:

- plomo de algunas pinturas en base a plomo,
- polvo de sílice proveniente de ladrillos y cemento y otros productos de albañilería, y
- arsénico y cromo provenientes de madera tratada químicamente.

Su riesgo de exposición a estos químicos varía, dependiendo de la frecuencia con la cual realiza usted este tipo de trabajo. Para reducir la exposición a esas sustancias químicas: trabaje en una zona bien ventilada y llevando equipos de seguridad aprobados, como mascarillas antipolvo especialmente diseñadas para filtrar partículas microscópicas.

- **Evite el contacto prolongado con polvo generado por el lijado, aserrado, pulido, taladrado y otras actividades de construcción. Vista ropas protectoras y lave las áreas de la piel expuestas con agua y jabón.** Si permite que el polvo se

introduzca en la boca u ojos o quede sobre la piel, puede favorecer la absorción de productos químicos peligrosos.

⚠ **ADVERTENCIA:** La utilización de esta herramienta puede generar polvo o dispersarlo, lo que podría causar daños graves y permanentes al sistema respiratorio, así como otras lesiones. Siempre use protección respiratoria aprobada por NIOSH (Instituto Nacional de Seguridad y Salud en el Trabajo) u OSHA (Administración de Seguridad y Salud en el Trabajo) apropiada para la exposición al polvo. Dirija las partículas en dirección contraria a la cara y el cuerpo.

⚠ **ADVERTENCIA:** Antes de comenzar el trabajo, verifique para determinar la clasificación de riesgo del polvo producido. Utilice una aspiradora extractora de polvo industrial apropiada, de la clase de seguridad aprobada oficialmente, y en cumplimiento con sus normativas locales de control de riesgo del polvo.

⚠ **ADVERTENCIA:** Utilice siempre protección auditiva personal apropiada. Bajo algunas condiciones y duraciones de uso, el ruido producido por este producto puede contribuir a la pérdida auditiva.

## **Causas del retroceso y su prevención por parte del operador**

El retroceso es una reacción repentina al pellizco o atascamiento de un disco giratorio, una almohadilla de respaldo, un cepillo o cualquier otro accesorio. El pellizco o el atascamiento hacen que el accesorio giratorio se trabe rápidamente, lo que a su vez provoca que la herramienta eléctrica fuera de control vaya en sentido opuesto al giro del accesorio en el punto del atascamiento.

Por ejemplo, si un disco de diamante se atasca o se engancha en la pieza de trabajo, el borde del disco que está entrando al punto de atasque puede penetrar la superficie del material y hacer que el disco rebote o patee. El disco puede entonces saltar hacia el operador o en dirección contraria al mismo, dependiendo de la dirección en la que se movía el disco al momento de engancharse.

En estas condiciones los discos de diamante pueden además romperse.

El retroceso es el resultado de un mal uso de la herramienta o de condiciones o procedimientos operativos incorrectos y se puede evitar tomando las precauciones apropiadas que se indican a continuación:

- a) **Sostenga la herramienta eléctrica con firmeza y ubique el cuerpo y el brazo para poder resistir las fuerzas de retroceso. Siempre utilice el mango lateral, en caso de tenerlo, para lograr el máximo control sobre el retroceso o la reacción de torsión durante el encendido.** El operador puede controlar la reacción de torsión o las fuerzas de retroceso si toma las precauciones adecuadas.
- b) **Nunca coloque la mano cerca del accesorio giratorio, ya que éste puede hacer un retroceso sobre la mano.**
- c) **No ubique el cuerpo en el área hacia donde la herramienta eléctrica se desplazará si se produce un retroceso.** El retroceso impulsará la herramienta en la dirección opuesta al movimiento del disco en el punto de atascamiento.
- d) **Tenga especial cuidado al trabajar en esquinas, bordes filosos, etc. Evite hacer rebotar o enganchar el accesorio.** Las esquinas, los bordes filosos y el rebote tienden a enganchar el accesorio giratorio y producir la pérdida de control o el retroceso de la unidad.
- e) **No conecte una hoja para carpintería para sierra de cadena ni una hoja de sierra dentada.** Estas hojas pueden producir el retroceso y la pérdida de control frecuentes.

### **GUARDE ESTAS INSTRUCCIONES PARA FUTURAS CONSULTAS**

### **COMPONENTES (FIG. 1)**

**⚠ADVERTENCIA:** Nunca modifique la herramienta eléctrica, ni tampoco ninguna de sus piezas. Podría producir lesiones corporales o daños.

- A. Puerto de polvo
- B. Tornillo de fijación de la abrazadera
- C. Base de profundidad de corte
- D. Base de profundidad de corte botón de bloqueo
- E. Palanca de bloqueo de la puerta curva (bloquea y desbloquea la puerta curva)
- F. Puerta curva (abre y permite cortar una curva interna)
- G. Palanca de abrazadera

### **USO DEBIDO**

Su cubierta protectora para rejuntar ha sido diseñada para aplicaciones profesionales de rejuntado de albañilería. No está prevista para ser usada en metal o madera. Al usar la esmeriladora, el disco y la aspiradora extractora de polvo adecuadas, se puede usar para eliminar la mayor cantidad de polvo estático y transportado por el aire, que sin el uso de la cubierta protectora para rejuntar podría contaminar el entorno de trabajo o suponer un riesgo elevado para la salud del operador y de las personas a su alrededor.

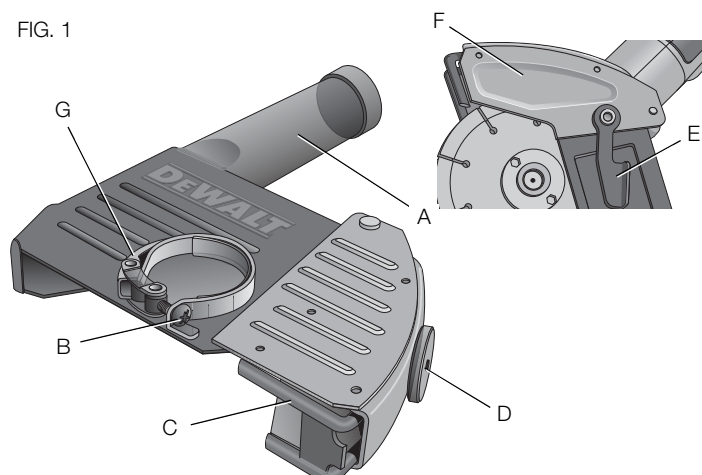
**NO** utilice la herramienta en condiciones de humedad o en presencia de líquidos o gases inflamables.

La cubierta protectora para rejuntar es una herramienta profesional. **NO** permita que los niños toquen la herramienta. Si el operador no tiene experiencia operando esta herramienta, su uso deberá ser supervisado.

Las herramientas eléctricas a ser utilizadas con este aditamento están disponibles con un cargo adicional en su distribuidor local o en el centro de servicio autorizado. Si necesita ayuda para ubicar alguna herramienta eléctrica, por favor póngase en contacto con DEWALT

Industrial Tool Co., 701 East Joppa Road, Baltimore, MD 21286, llame al 1-800-4-DEWALT (1-800-433-9258) o visite nuestro sitio web [www.dewalt.com](http://www.dewalt.com).

FIG. 1



### **MONTAJE Y AJUSTES (FIG. 1, 2)**

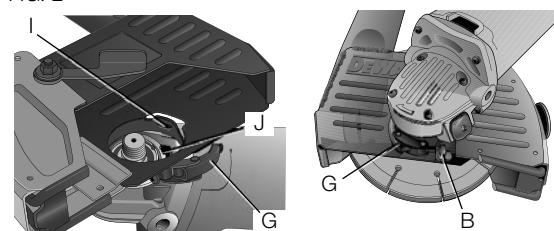
**⚠ ADVERTENCIA:** Para reducir el riesgo de lesiones personales graves, SIEMPRE apague la herramienta y desconéctela de la fuente de alimentación antes de realizar ajuste alguno, o de quitar o instalar acoplamientos o accesorios. Esto es relevante para la esmeriladora y la aspiradora extractora de polvo. Estas medidas de seguridad preventiva reducen el riesgo de poner en marcha la herramienta accidentalmente.

### **Cómo montar y sacar la cubierta protectora para rejuntar**

**NOTA:** Se recomienda que la cubierta protectora para rejuntar únicamente se use con la esmeriladora de ángulo pequeño para trabajo pesado DWE46102.

1. Siga las instrucciones de **Montaje y desmontaje del protector** en el manual de la herramienta para quitar el protector de la esmeriladora (DWE46102).
2. Abra la palanca de abrazadera (G) de la cubierta protectora para rejuntar y alinee las lengüetas (I) en la cubierta protectora con las ranuras (J) en la caja de engranaje de la esmeriladora.

FIG. 2



3. Con la palanca de la abrazadera abierta, gire la cubierta protectora hasta la posición de trabajo deseada. La cubierta protectora debe posicionarse entre el eje y el operador para brindar mayor eficacia.
4. Cierre la palanca de abrazadera (G) para asegurar la cubierta protectora para rejuntar a la caja de engranajes. No opere la esmeriladora con una cubierta protectora suelta o la palanca de abrazadera en posición abierta.

5. Para quitar la cubierta protectora para rejuntar, abra la palanca de abrazadera, gire la cubierta protectora para alinear las ranuras y las lengüetas, y levante la cubierta protectora.

**NOTA:** La cubierta protectora para rejuntar se preajusta en fábrica al diámetro del cubo de la caja de engranaje. Si, después de cierto tiempo, la cubierta protectora para rejuntar se afloja, apriete el tornillo de fijación de la abrazadera (B) con la palanca de abrazadera en la posición cerrada.

**AVISO:** No apriete el tornillo de sujeción con la palanca de abrazadera en posición abierta. Puede ocasionar daños indetectables a la cubierta protectora o al área de montaje.

**AVISO:** Si la cubierta protectora para rejuntar no puede ser ajustada con el tornillo de fijación de la abrazadera, no use la herramienta. Lleve la herramienta y la cubierta protectora para rejuntar a un centro de servicio para que sea reparada o cambiada.

### **Montaje de discos de corte (Tipo 1) (Fig. 1)**

**⚠ ADVERTENCIA:** Únicamente los discos de diamante tipo 1 pueden usarse con la cubierta protectora para rejuntar. No corte metal. No la use con discos abrasivos.

Siga las instrucciones de montaje y utilización de discos de corte (Tipo 1) en el manual de la herramienta y monte el disco de esmerilar. Puede ser necesario abrir la puerta curva para instalar discos para rejuntar de 6" (152,4 mm), consultar **Aplicación de puertas curvas**.

### **Ajuste de la profundidad de corte (Fig. 3)**

1. Afloje el botón de bloqueo de la base de profundidad de corte (D).
2. Deslice la base de profundidad de corte (C) hasta la posición deseada.
3. Apriete el botón de bloqueo de la base de profundidad de corte.

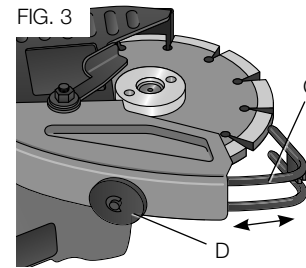


FIG. 3

### **Aplicación de las puertas curvas (Fig. 4)**

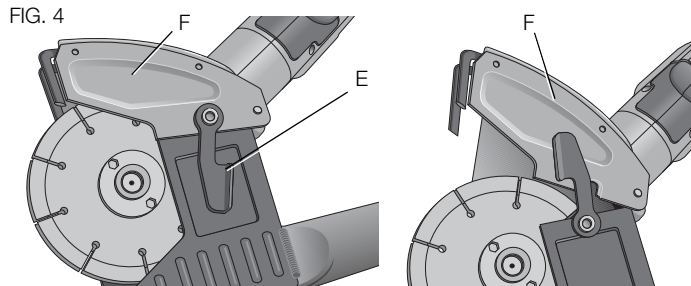
**⚠ ADVERTENCIA:** Para reducir el riesgo de lesiones personales graves, SIEMPRE apague la herramienta y desconéctela de la fuente de alimentación antes de realizar ajuste alguno, o de quitar o instalar acoplamientos o accesorios. Esto es relevante para la esmeriladora y la aspiradora extractora de polvo. Estas medidas de seguridad preventiva reducen el riesgo de poner en marcha la herramienta accidentalmente.

**⚠ ADVERTENCIA:** Riesgo de lesiones corporales. La puerta curva únicamente debe abrirse para cortar curvas internas. Mantenga las manos y el cuerpo alejados de la zona de corte en todo momento. Asegure que la puerta curva esté cerrada para todas las demás aplicaciones.

Esta característica permite el corte de una curva interna.

1. Asegúrese que la herramienta esté desconectada y que el disco se haya detenido por completo.
2. Dé un giro completo a la palanca de bloqueo de la puerta curva (E) en sentido contrario de las agujas del reloj. Agarre la puerta curva (F) y gire para abrir como se muestra en la Figura 4.
3. Aleje las manos de la zona del disco y sitúese de modo que la parte inferior abierta de la cubierta protectora no se encuentra frente a usted.

4. Encienda la herramienta y permita que alcance la velocidad máxima antes de ponerla en contacto con la superficie de trabajo.
5. Coloque el disco sobre la superficie de trabajo y mueva la esmeriladora de derecha a izquierda para cortar la esquina interna para una recolección óptima del polvo.
6. Quite la herramienta de la superficie de trabajo antes de apagarla. Permita que la herramienta deje de girar antes de soltarla.
7. Cierre la puerta curva y bloquéela en su lugar con la palanca de bloqueo de la puerta curva (E).



### Extracción de polvo (Fig. 1, 5)

**⚠ ADVERTENCIA:** Únicamente use herramientas eléctricas recomendadas por DEWALT con este accesorio.

Para más información sobre las herramientas eléctricas de DEWALT compatibles con este accesorio, póngase en contacto con el proveedor local, llamando al 1-800-4-DEWALT (1-800-433-9258) o visite nuestro sitio web [www.dewalt.com](http://www.dewalt.com).

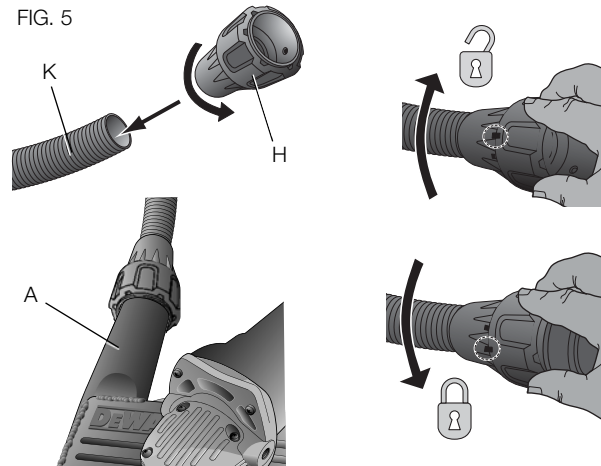
**⚠ ADVERTENCIA:** Este accesorio DEBE usarse con un sistema extractor de polvo. SIEMPRE use una mascarilla protectora o antipolvo certificada.

**NOTA:** Asegure que la conexión de la manguera es segura.

**NOTA:** La cantidad de polvo retenido en la aspiradora extractora de polvo depende de su sistema de filtro. Consulte el manual de instrucciones de la aspiradora extractora de polvo para obtener más información.

Todas las cubiertas de recolección de polvo de DEWALT están diseñadas para funcionar con el conector universal DWV9000 de DEWALT.

1. Ajuste el conector DWV9000 (H) a la manguera del colector de polvo (K).
2. Desbloquee el conector DWV9000 (H) y deslícelo sobre el puerto de polvo (A).
3. Cierre el conector DWV9000 (H) para asegurarlo.



## MANGUERAS TRADICIONALES DE LA ASPIRADORA EXTRACTORA DE POLVO

Ajuste la manguera de la aspiradora extractora de polvo recomendada al puerto de polvo (A).

### FUNCIONAMIENTO

**⚠ ADVERTENCIA:** Para reducir el riesgo de lesiones personales graves, SIEMPRE apague la herramienta y desconéctela de la fuente de alimentación antes de realizar ajuste alguno, o de quitar o instalar acoplamiento o accesorios. Esto es relevante para la esmeriladora y la aspiradora extractora de polvo. Estas medidas de seguridad preventiva reducen el riesgo de poner en marcha la herramienta accidentalmente.

**⚠ ADVERTENCIA:** Por su propia seguridad, lea el manual de instrucciones para la esmeriladora y la aspiradora extractora de polvo antes de usar los accesorios. De no seguir estas advertencias podrían producirse lesiones corporales y graves daños a la herramienta y al accesorio. Cuando realice el mantenimiento de esta herramienta, utilice únicamente repuestos originales.

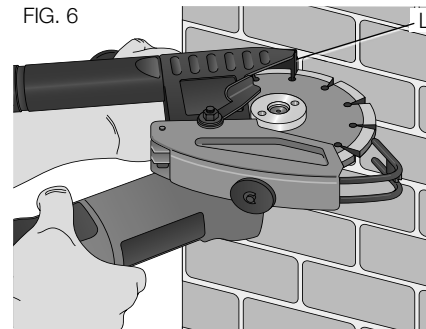
**⚠ ADVERTENCIA** Sostenga el mango lateral y el cuerpo de la herramienta con firmeza para mantener el control de ésta al encenderla y mientras la utiliza, y hasta que el disco o el accesorio deje de girar. Asegúrese de que el disco se haya detenido completamente antes de depositar la herramienta sobre una superficie.

**⚠ ADVERTENCIA:** Asegúrese de que la puerta curva esté cerrada.

1. Asegure que se completaron todas las instrucciones de ensamblado y ajuste.
2. Encienda la aspiradora extractora de polvo como se indica en el manual de instrucciones de la aspiradora extractora de polvo.
3. Arranque la esmeriladora como se indica en el manual de instrucciones de la herramienta.

**NOTA:** Deje que la herramienta alcance la velocidad máxima antes de aplicarla en la superficie de trabajo.

FIG. 6



### Aplicación de rejuntado y corte (Fig. 6)

1. Establezca la profundidad de corte deseada, consulte **Profundidad de corte** en **Montaje y ajustes**.
2. Permita que la herramienta alcance la velocidad máxima antes de que toque la superficie de trabajo.
3. Sitúese de modo que la parte inferior abierta de la cubierta protectora y el disco no estén mirando hacia usted.
4. Coloque el borde (L) de la cubierta protectora en la superficie de trabajo y comience el corte lanzándose sobre la superficie de trabajo. **NOTA:** Mantenga el borde (L) de la cubierta protectora contra la superficie de trabajo para asegurar una recolección de polvo óptima.
5. Con la cubierta protectora orientada como se muestra en la Figura 6, mueva la esmeriladora de derecha a izquierda por la superficie de trabajo. Para mejores resultados, la esmeriladora debe posicionarse a un ángulo de 45° del puerto de polvo al cortar/rejuntar.

Español



6. Quite la herramienta de la superficie de trabajo antes de apagarla. Permita que la herramienta deje de girar antes de soltarla.

## MANTENIMIENTO

**⚠ ADVERTENCIA:** Para reducir el riesgo de lesiones personales graves, SIEMPRE apague la herramienta y desconéctela de la fuente de alimentación antes de realizar ajuste alguno, o de quitar o instalar acoplamientos o accesorios. Esto es relevante para la esmeriladora y la aspiradora extractora de polvo. Estas medidas de seguridad preventiva reducen el riesgo de poner en marcha la herramienta accidentalmente.

## Limpieza

**⚠ ADVERTENCIA:** Sople la suciedad y el polvo de todos los conductos de ventilación con aire seco, al menos una vez por semana. Para reducir el riesgo de lesiones, utilice siempre protección para los ojos aprobada ANSI Z87.1 al realizar esta tarea.

**⚠ ADVERTENCIA:** Nunca utilice solventes ni otros químicos abrasivos para limpiar las piezas no metálicas de la herramienta. Estos productos químicos pueden debilitar los materiales plásticos utilizados en estas piezas. Utilice un paño humedecido sólo con agua y jabón neutro. Nunca permita que penetre líquido dentro de la herramienta ni sumerja ninguna de las piezas en un líquido.

## Accesorios

**⚠ ADVERTENCIA:** Debido a que no se han probado con este producto otros accesorios que no sean los que ofrece DEWALT, el uso de dichos accesorios con esta herramienta podría ser peligroso. Para reducir el riesgo de lesiones, con este producto deben usarse sólo los accesorios recomendados por DEWALT.

Los accesorios que se recomiendan para utilizar con la herramienta están disponibles a un costo adicional en su distribuidor local o en un centro de mantenimiento autorizado. Si necesita ayuda

para localizar algún accesorio, póngase en contacto con DEWALT Industrial Tool Co., 701 East Joppa Road, Baltimore, MD 21286, llame al 1-800-4-DEWALT (1-800-433-9258) o visite nuestro sitio Web: [www.dewalt.com](http://www.dewalt.com).

## Reparaciones

Para asegurar la SEGURIDAD y la CONFIABILIDAD del producto, las reparaciones, el mantenimiento y los ajustes deben (inclusive inspección y cambio de carbones) ser realizados en un centro de mantenimiento en la fábrica DEWALT, en un centro de mantenimiento autorizado DEWALT u por otro personal de mantenimiento calificado. Utilice siempre piezas de repuesto idénticas.

### PARA REPARACIÓN Y SERVICIO DE SUS HERRAMIENTAS ELÉCTRICAS, FAVOR DE DIRIGIRSE AL CENTRO DE SERVICIO MÁS CERCANO

#### CULIACAN, SIN

Blvd.Emiliano Zapata 5400-1 Poniente  
Col. San Rafael (667) 717 89 99

#### GUADALAJARA, JAL

Av. La Paz #1779 - Col. Americana Sector Juárez (33) 3825 6978

#### MEXICO, D.F.

Eje Central Lázaro Cárdenas No. 18  
Local D, Col. Obrera (55) 5588 9377

#### MERIDA, YUC

Calle 63 #459-A - Col. Centro (999) 928 5038

#### MONTERREY, N.L.

Av. Francisco I. Madero 831 Poniente - Col. Centro (818) 375 23 13

#### PUEBLA, PUE

17 Norte #205 - Col. Centro (222) 246 3714



**QUERETARO, QRO**

Av. San Roque 274 - Col. San Gregorio (442) 2 17 63 14

**SAN LUIS POTOSI, SLP**

Av. Universidad 1525 - Col. San Luis (444) 814 2383

**TORREON, COAH**

Blvd. Independencia, 96 Pte. - Col. Centro (871) 716 5265

**VERACRUZ, VER**

Prolongación Díaz Mirón #4280 - Col. Remes (229) 921 7016

**VILLAHERMOSA, TAB**

Constitución 516-A - Col. Centro (993) 312 5111

**PARA OTRAS LOCALIDADES:****Si se encuentra en México, por favor llame al (55) 5326 7100****Si se encuentra en U.S., por favor llame al  
1-800-433-9258 (1-800 4-DEWALT)****Póliza de Garantía**

## IDENTIFICACIÓN DEL PRODUCTO:

Sello o firma del Distribuidor.

Nombre del producto: \_\_\_\_\_ Mod./Cat.: \_\_\_\_\_

Marca: \_\_\_\_\_ Núm. de serie: \_\_\_\_\_

(Datos para ser llenados por el distribuidor)

Fecha de compra y/o entrega del producto: \_\_\_\_\_

Nombre y domicilio del distribuidor donde se adquirió el producto:  
\_\_\_\_\_

Este producto está garantizado por un año a partir de la fecha de entrega, contra cualquier defecto en su funcionamiento, así como en materiales y mano de obra empleados para su fabricación. Nuestra garantía incluye la reparación o reposición del producto y/o componentes sin cargo alguno para el cliente, incluyendo mano de

obra, así como los gastos de transportación razonablemente erogados derivados del cumplimiento de este certificado.

Para hacer efectiva esta garantía deberá presentar su herramienta y esta póliza sellada por el establecimiento comercial donde se adquirió el producto, de no contar con ésta, bastará la factura de compra.

**EXCEPCIONES**

Esta garantía no será válida en los siguientes casos:

- Cuando el producto se hubiese utilizado en condiciones distintas a las normales;
- Cuando el producto no hubiese sido operado de acuerdo con el instructivo de uso que se acompaña;
- Cuando el producto hubiese sido alterado o reparado por personas distintas a las enlistadas al final de este certificado.

Anexo encontrará una relación de sucursales de servicio de fábrica, centros de servicio autorizados y franquiciados en la República Mexicana, donde podrá hacer efectiva su garantía y adquirir partes, refacciones y accesorios originales.

**Garantía limitada por tres años**

DEWALT reparará, sin cargo, cualquier falla que surja de defectos en el material o la fabricación del producto, por hasta tres años a contar de la fecha de compra. Esta garantía no cubre fallas de las piezas causadas por su desgaste normal o abuso a la herramienta. Para mayores detalles sobre la cobertura de la garantía e información acerca de reparaciones realizadas bajo garantía, visítenos en [www.dewalt.com](http://www.dewalt.com) o diríjase al centro de servicio más cercano. Esta garantía no aplica a accesorios o a daños causados por reparaciones realizadas o intentadas por terceros. Esta garantía le otorga derechos legales específicos, además de los cuales puede tener otros dependiendo del estado o la provincia en que se encuentre.

**Español**

Además de la garantía, las herramientas DEWALT están cubiertas por:

### 1 AÑO DE SERVICIO GRATUITO

DEWALT mantendrá la herramienta y reemplazará las piezas gastadas por su uso normal, sin cobro, en cualquier momento durante un año a contar de la fecha de compra. Los artículos gastados por la clavadora, tales como la unidad de hoja y retorno del impulsador, no están cubiertas.

### GARANTÍA DE REEMBOLSO DE SU DINERO POR 90 DÍAS

Si no está completamente satisfecho con el desempeño de su máquina herramienta, láser o clavadora DEWALT, cualquiera sea el motivo, podrá devolverlo hasta 90 días de la fecha de compra con su recibo y obtener el reembolso completo de su dinero – sin necesidad de responder a ninguna pregunta.

**AMÉRICA LATINA:** Esta garantía no se aplica a los productos que se venden en América Latina. Para los productos que se venden en América Latina, debe consultar la información de la garantía específica del país que viene en el empaque, llamar a la compañía local o visitar el sitio Web a fin de obtener esa información.

**REEMPLAZO GRATUITO DE LAS ETIQUETAS DE ADVERTENCIAS:** Si sus etiquetas de advertencia se vuelven ilegibles o faltan, llame al 1-800-4-DEWALT (1-800-433-9258) para que se le reemplacen gratuitamente.

Español

**DWE46100** 5" / 6" CUTTING / TUCKPOINTING SHROUD

**⚠ WARNING** TO REDUCE THE RISK OF INJURY, USER MUST READ INSTRUCTION MANUAL. FOR USE WITH TYPE 1 DIAMOND WHEELS ONLY. DO NOT CUT METAL. DO NOT USE WITH BONDED ABRASIVE WHEELS. ALWAYS USE PROPER EYE AND RESPIRATORY PROTECTION.

**⚠ ADVERTENCIA** EL USUARIO DEBE LEER EL MANUAL DE INSTRUCCIONES PARA REDUCIR EL RIESGO DE LESIONES. SOLO DEBE UTILIZARSE CON MUELAS DE DIAMANTE TIPO 1. NO UTILIZAR CON MUELAS ABRASIVAS CON AGLOMERANTE. NO CORTAR METALES. SIEMPRE SE DEBERA LLEVAR LA PROTECCIÓN APROPIADA PARA LA VISTA Y PARA LAS VÍAS RESPIRATORIAS.

**⚠ AVERTISSEMENT** POUR RÉDUIRE TOUT RISQUE DE DOMMAGES CORPORELS, L'UTILISATEUR DOIT LIRE LE MANUEL DE UTILISATEUR. UTILISER UNIQUEMENT AVEC DES MEULES DIAMANT DE TYPE 1. NE PAS UTILISER AVEC DES MEULES ABRASIVES COMPOSITES. NE DÉCUPER AUCUN MÉTAUX. IL FAUT TOUJOURS PORTER DE L'ÉQUIPEMENT DE PROTECTION OCULAIRE ET RESPIRATOIRE APPROPRIÉ.

DEWALT INDUSTRIAL TOOL CO., BALTIMORE, MD 21286 USA  
FOR SERVICE INFORMATION, CALL 1-800-4-DEWALT www.dewalt.com



DEWALT Industrial Tool Co., 701 East Joppa Road, Baltimore, MD 21286  
(MAY12) Part No. N186887 DWE46100 Copyright © 2012 DEWALT

The following are trademarks for one or more DEWALT power tools: the yellow and black color scheme; the "D" shaped air intake grill; the array of pyramids on the handgrip; the kit box configuration; and the array of lozenge-shaped humps on the surface of the tool.

## Free Manuals Download Website

<http://myh66.com>

<http://usermanuals.us>

<http://www.somanuals.com>

<http://www.4manuals.cc>

<http://www.manual-lib.com>

<http://www.404manual.com>

<http://www.luxmanual.com>

<http://aubethermostatmanual.com>

Golf course search by state

<http://golfingnear.com>

Email search by domain

<http://emailbydomain.com>

Auto manuals search

<http://auto.somanuals.com>

TV manuals search

<http://tv.somanuals.com>