

Before returning this product call

**1-800-4-DEWALT**

IF YOU SHOULD EXPERIENCE A PROBLEM WITH YOUR DEWALT PURCHASE,

**CALL 1-800-4 DEWALT**

IN MOST CASES, A DEWALT REPRESENTATIVE CAN RESOLVE  
YOUR PROBLEM OVER THE PHONE.

IF YOU HAVE A SUGGESTION OR COMMENT, GIVE US A CALL.  
YOUR FEEDBACK IS VITAL TO THE SUCCESS OF DEWALT'S  
QUALITY IMPROVEMENT PROGRAM.

*Questions? See us on the World Wide Web at [www.dewalt.com](http://www.dewalt.com)*

**INSTRUCTION MANUAL  
GUIDE D'UTILISATION  
MANUAL DE INSTRUCCIONES**

INSTRUCTIVO DE OPERACIÓN, CENTROS DE SERVICIO Y PÓLIZA  
DE GARANTÍA. **ADVERTENCIA:** LÉASE ESTE INSTRUCTIVO  
ANTES DE USAR EL PRODUCTO.

**DEWALT®**

**DW734**

**12-1/2" (318 mm) Heavy-Duty Portable Thickness Planer**

**Raboteuse portative de service intensif de 318 mm (12-1/2 po)**

**Cepillo portátil de 318 mm (12-1/2") para trabajo pesado**



## Definitions: Safety Guidelines

The definitions below describe the level of severity for each signal word. Please read the manual and pay attention to these symbols.

**▲ DANGER:** Indicates an imminently hazardous situation which, if not avoided, **will** result in **death or serious injury**.

**▲ WARNING:** Indicates a potentially hazardous situation which, if not avoided, **could** result in **death or serious injury**.

**▲ CAUTION:** Indicates a potentially hazardous situation which, if not avoided, **may** result in **minor or moderate injury**.

**NOTICE:** indicates a practice **not related to personal injury** which, if not avoided, **may** result in **property damage**.

IF YOU HAVE ANY QUESTIONS OR COMMENTS ABOUT THIS OR ANY DEWALT TOOL, CALL US TOLL FREE AT: **1-800-4-DEWALT (1-800-433-9258)**

## SAVE THESE INSTRUCTIONS

### IMPORTANT SAFETY INSTRUCTIONS FOR ALL TOOLS

**▲ WARNING:** For your own safety, read the instruction manual before operating the planer. Failure to heed these warnings may result in personal injury and serious damage to the planer. When servicing this tool, use only identical replacement parts. Have damaged cords replaced by an authorized service center.

#### GROUNDING INSTRUCTIONS

In the event of a malfunction or breakdown, grounding provides a path of least resistance for electric current to reduce the risk of electric shock. This tool is equipped with an electric cord having an equipment-grounding conductor and grounding plug. The plug must be plugged into a matching outlet that is properly installed and grounded in accordance with all local codes and ordinances. Do not modify plug provided — if it will not fit the outlet, have the proper outlet installed by a qualified electrician.

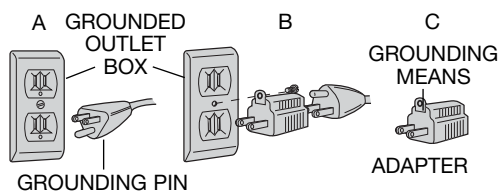
Improper connection of the equipment-grounding conductor can result in a risk of electric shock. The conductor with insulation having an outer surface that is green with or without yellow stripes is the equipment-grounding conductor. If repair or replacement of the electric cord or plug is necessary, do not connect the equipment-grounding conductor to a live terminal.

Check with a qualified electrician or service personnel if the grounding instructions are not completely understood, or if in doubt as to whether the tool is properly grounded.

Use only 3-wire extension cords that have 3-prong grounding plugs and 3-pole receptacles that accept the tool's plug.

#### REPAIR OR REPLACE DAMAGED OR WORN CORDS IMMEDIATELY.

This tool is intended for use on a circuit that has an outlet that looks like the one illustrated in Figure A. The tool has a grounding plug that looks like the plug illustrated in Figure A. A temporary adapter, which looks like the adapter illustrated in Figures B and C, may be used to connect this plug to a 2-pole receptacle as shown in Figure B if a properly grounded outlet is not available. The temporary adapter should be used only until a properly grounded outlet can be installed by a qualified electrician. The green-colored rigid ear, lug, and the like, extending from the adapter must be connected to a permanent ground such as a properly grounded outlet box. The adapter (C) is not for use in Canada.



**▲ WARNING:** When using electric tools, basic safety precautions should always be followed to reduce the risk of fire, electric shock, and personal injury, including the following:

### General Safety Instructions

- **KEEP GUARDS IN PLACE** and in working order.
- **REMOVE ADJUSTING KEYS AND WRENCHES.** Form habit of checking to see that keys and adjusting wrenches are removed from tool before turning it on.
- **KEEP WORK AREA CLEAN.** Cluttered areas and benches invite injuries.
- **DON'T USE IN DANGEROUS ENVIRONMENT.** Don't use power tools in damp or wet locations, or expose them to rain. Keep work area well lighted. Always operate tool in a well-ventilated area free of combustible materials, gasoline or solvent vapors. If sparks come in contact with flammable vapors, they may ignite, causing fire or explosion.
- **KEEP CHILDREN AWAY.** All visitors should be kept safe distance from work area.
- **MAKE WORKSHOP KID PROOF** with padlocks, master switches, or by removing starter keys.
- **DON'T FORCE TOOL.** It will do the job better and safer at the rate for which it was designed.
- **USE RIGHT TOOL.** Don't force tool or attachment to do a job for which it was not designed.
- **USE PROPER EXTENSION CORD.** Make sure your extension cord is in good condition. When using an extension cord, be sure to use one heavy enough to carry the current your product will draw. An undersized cord will cause a drop in line voltage resulting in overheating and loss of power. The following table shows the correct size to use depending on cord length and nameplate ampere rating. If in doubt, use the next heavier gauge. The smaller the gauge number, the heavier the cord. When operating a power tool outside, use an outdoor extension cord marked "W-A" or "W." These cords are rated for outdoor use and reduce the risk of electric shock.

Ampere Rating		Minimum Gauge for Cord Sets				
		Volts	Total Length of Cord in Feet (meters)			
More Than	Not More Than	120V	25 (7.6)	50 (15.2)	100 (30.5)	150 (45.7)
		240V	50 (15.2)	100 (30.5)	200 (61.0)	300 (91.4)
		AWG				
0	6		18	16	16	14
6	10		18	16	14	12
10	12		16	16	14	12
12	16		14	12	Not Recommended	

- **WEAR PROPER APPAREL.** Do not wear loose clothing, gloves, neckties, rings, bracelets, or other jewelry which may get caught in moving parts. Nonslip footwear is recommended. Wear protective hair covering to contain long hair. Air vents often cover moving parts and should also be avoided.
- **ALWAYS USE SAFETY GLASSES.** Also use face or dust mask if cutting operation is dusty. Everyday eyeglasses only have impact resistant lenses, they are not safety glasses.
- **ACTUATING TOOL MAY RESULT IN FLYING DEBRIS, COLLATION MATERIAL, OR DUST WHICH COULD HARM OPERATOR'S EYES.** The operator and all those persons in the general area should wear safety glasses with permanently attached side shields. Approved safety glasses are imprinted with the characters "Z87.1". It is the employer's responsibility to enforce the use of eye protection equipment by the tool operator and other people in the work area.
- **SECURE WORK.** Use of clamps or a vise to hold work when practical. It's safer than using your hands and it frees both hands to operate tool.
- **DON'T OVERREACH.** Keep proper footing and balance at all times.
- **MAINTAIN TOOLS WITH CARE.** Keep tools sharp and clean for best and safest performance. Follow instructions for lubricating and changing accessories.

- **DISCONNECT TOOLS** before servicing; when changing accessories, such as blades, bits, cutters, and the like.
- **REDUCE THE RISK OF UNINTENTIONAL STARTING.** Make sure switch is in off position before plugging in.
- **USE RECOMMENDED ACCESSORIES.** Consult the instruction manual for recommended accessories. The use of improper accessories may cause risk of injury to persons.
- **NEVER STAND ON TOOL.** Serious injury could occur if the tool is tipped or if the cutting tool is unintentionally contacted.
- **CHECK DAMAGED PARTS.** Before further use of the tool, a guard or other part that is damaged should be carefully checked to determine that it will operate properly and perform its intended function—check for alignment of moving parts, binding of moving parts, breakage of parts, mounting, and any other conditions that may affect its operation. A guard or other part that is damaged should be properly repaired or replaced.
- **NEVER LEAVE TOOL RUNNING UN ATTENDED. TURN POWER OFF.** Don't leave tool until it comes to a complete stop.

### Additional Specific Safety Rules for Planers

- To reduce the risk of injury, user must read and understand instruction manual before operating planer.
- Always wear eye protection and dust mask if necessary.
- Keep hands away from the underside of the cutter head carriage.
- Direction of feed. Feed work into planer according to direction of feed arrows on top of the unit.
- Never clear clogs, make cutter knife replacement, or any other repairs/adjustments with unit plugged in.
- Make certain that the switch is in the OFF position before connecting plug to a power source.
- Be sure that the cutter knives are mounted as described in the instruction manual and check that all bolts are firmly tightened before connecting unit to power source.
- To avoid injury, never rotate the cutter block directly with your hands.
- Keep guards in place and in good working order.
- Stay alert – never operate the unit when tired or under the influence of drugs, alcohol, or medication.
- Do not use in dangerous environments. Do not use near flammable substances, in damp or wet locations, or expose to rain.
- Never plane material which is shorter than 12" (304.8 mm) in length.
- Exhaust chute: remove shavings with brush or vacuum after power has been shut off and cutter head has stopped rotating.
- Always secure planer to stable work surface using mounting holes in the base. Refer to **Bench Mounting** paragraph.

- ALWAYS LOCATE PLANER WITH PROPER CLEARANCE ON THE OUTFEED SIDE of the unit to prevent pinching or binding of the workpiece against any obstacle.
- **Clean out your tool often, especially after heavy use.** Dust and grit containing metal particles often accumulate on interior surfaces and could create a risk of serious injury, electric shock or electrocution. ALWAYS WEAR SAFETY GLASSES.

▲ **WARNING:** For your own safety, it is recommended that two people carry this machine or serious injury could result.

▲ **WARNING:** Wear appropriate personal hearing protection during use. Under some conditions and duration of use, noise from this product may contribute to hearing loss.

▲ **WARNING:** Some dust created by power sanding, sawing, grinding, drilling, and other construction activities contains chemicals known to cause cancer, birth defects or other reproductive harm. Some examples of these chemicals are:

- lead from lead-based paints.
- crystalline silica from bricks and cement and other masonry products.
- arsenic and chromium from chemically-treated lumber (CCA).

Your risk from these exposures varies, depending on how often you do this type of work. To reduce your exposure to these chemicals: work in a well ventilated area, and work with approved safety equipment, such as those dust masks that are specially designed to filter out microscopic particles.

- **Avoid prolonged contact with dust from power sanding, sawing, grinding, drilling, and other construction activities. Wear protective clothing and wash exposed areas with soap and water.** Allowing dust to get into your mouth, eyes, or lay on the skin may promote absorption of harmful chemicals.

▲ **WARNING:** A dust mask or respirator should be worn by all persons entering the work area. The filter should be replaced daily or whenever the wearer has difficulty breathing. See your local hardware store for the proper NIOSH/OSHA approved dust mask.

- The label on your tool may include the following symbols. The symbols and their definitions are as follows:

V..... volts	A..... amperes
Hz..... hertz	W..... watts
min..... minutes	~ ..... alternating current
=== ... direct current	⊜ ..... alternating or direct current
Ⓛ..... Class I Construction (grounded)	n <sub>0</sub> ..... no load speed
Ⓜ..... Class II Construction (double insulated)	Ⓧ ..... earthing terminal
.../min per minute	▲ ..... safety alert symbol
RPM... revolutions per minute	BPM .... beats per minute

### Specifications

Input .....	120V AC, 15 Amp
No-load speed .....	10,000 RPM
Feed speed .....	26' (7.9 m) per minute
Planing height .....	Maximum 6" (152.4 mm), Minimum 1/8" (3.2 mm)
Planing width .....	Maximum 12-1/2" (317.5 mm)
Planing depth.....	Maximum 1/8" (3.2 mm) (for boards 6" (152.4 mm) wide or less)

### Electrical Connection

Be sure your power supply agrees with the nameplate marking. Volts, 50/60 Hz or "AC only" means your planer must be operated only with alternating current and never with direct current. Voltage decrease of more than 10% will cause loss of power and overheating. All DEWALT tools are factory tested, if this tool does not operate, check the power supply.

### Transporting the Planer

▲ **WARNING:** For your own safety, it is recommended that two people carry this machine or serious injury could result.

When moving your planer, hold it by the side carrying handles (B) or by the hand indentation (C) at the base of the planer. (Fig. 2).

When transporting or storing the planer, use the cord wrap (D) located in the back of the tool (Fig. 3) to keep the cord in place.

### Bench Mounting

To facilitate bench mounting, two different sized holes (E) are provided on the four corners of your planer as shown in Figure 4. If mounting the planer with bolts, use the larger holes. If mounting the planer with nails or screws, use the smaller holes. It is not necessary to use both sets of holes.

Always mount your planer firmly to a secure surface to prevent movement. To enhance the tool's portability, it can be mounted to a piece of 1/2" (12.7 mm) or thicker plywood which can then be clamped to your work support or moved to other work areas and reclamped.

**NOTE:** If you elect to mount your planer to a piece of plywood, make sure that the mounting screws don't protrude from the bottom of the wood. The plywood must sit flush on the work support.

▲ **CAUTION:** The mounting surface should not be warped or otherwise uneven.

### ASSEMBLY

▲ **WARNING:** To reduce the risk of serious personal injury, turn tool off and disconnect tool from power source before making any adjustments or removing/installing attachments or accessories.

## Depth Adjustment Crank Handle TO ATTACH THE DEPTH ADJUSTMENT CRANK HANDLE

1. Insert the crank handle (F) over the shaft (Fig. 5).
2. Secure the crank handle in place with the star screw and T-wrench provided.

## DUST HOOD INSTALLATION (FIG. 1)

1. Remove screws (AA, fig. 1), save these screws.
2. Slide the dust hood clips (BB, fig. 1A) into place on front of the tool tray and rotate dust hood into place.
3. Align holes in dust hood with holes in tool tray and motor housing, secure with screws removed earlier.

**NOTE:** Tighten the bottom screw first and then the two side screws.

4. Attach dust hood to a dust collector. Refer to dust collector owner's manual for correct procedure and safety information.

**CAUTION:** When using the dust collection attachment do not operate the unit without a hose connected and a dust collector in operation.

## OPERATION

**WARNING:** To reduce the risk of serious personal injury, turn tool off and disconnect tool from power source before making any adjustments or removing/installing attachments or accessories.

### On/Off Switch

To turn the planer on, lift up the switch (G). The planer locks on automatically. To turn the tool off, press the switch down. A hole (H) is provided on the underside of the switch to insert a padlock to lock off the planer as shown in Figure 6.

### Table Extensions

Before using your planer, fold down the table extensions in the front and back of the tool (Fig. 7). After extended use, the table extensions may be slightly out of level. See **Leveling the Table Extensions** in the *Maintenance* section of this manual.

**NOTE:** The outside edges of the extension tables are level with the base while the inside edges (closest to the cutter head) are below the edge of the base. This is set at the factory to reduce unnecessary friction between the material and the table while providing adequate support at the two points (those farthest from the cutter head) on the tables that are integral to snipe prevention.

### Carriage Head Lock

Your planer is equipped with a carriage head lock lever (I) located on top of the motor (Fig. 8). This device secures the carriage that holds the cutter head to the four posts of your planer. By locking the carriage to the four posts, the movement that causes snipe is drastically minimized.

### Depth Adjustment

The depth adjustment scale (J) indicates the finished thickness of your workpiece (Fig. 9). One rotation of the

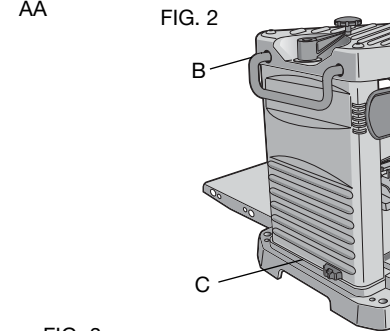
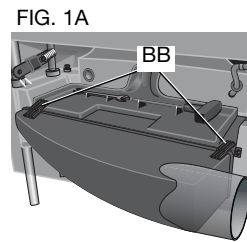
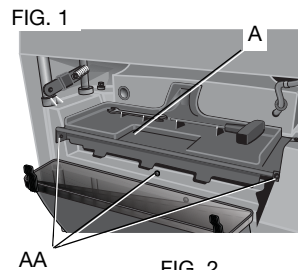


FIG. 3

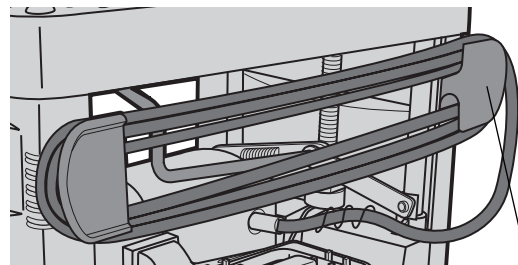


FIG. 4

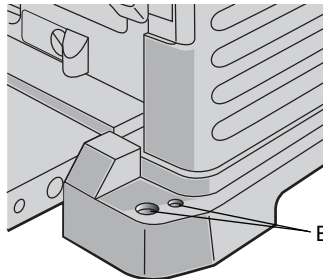


FIG. 5

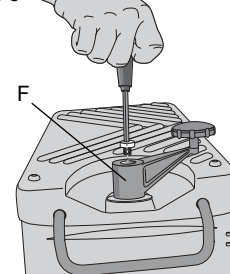


FIG. 6

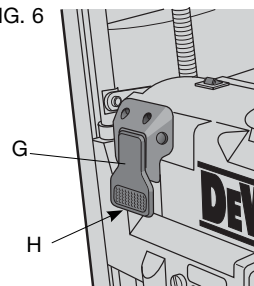
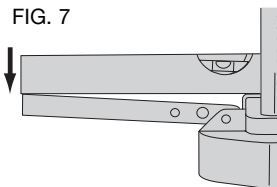


FIG. 7



depth adjustment crank is equal to 1/16" (1.6 mm); half a rotation is equal to 1/32" (0.8 mm), etc.

### TO SET THE FINISHED THICKNESS

1. Raise head lock lever (I) to unlock the cutter head (Fig. 8). This allows the cutter head to be adjusted.
2. Adjust the thickness. Turn the depth adjustment handle (F) clockwise to lower the cutter head. Turn the handle counter-clockwise to raise the cutter head. One full rotation of the handle moves the cutter head 1/16" (1.6 mm).
3. Depress the head lock lever to re-lock before planing.

**NOTE:** Do not attempt to adjust the carriage height while the carriage lock is engaged. You may damage the machine.

### FINE ADJUSTMENTS

The depth adjustment handle allows for fine adjustments, from 1/64" (0.4 mm) to 1/16" (1.6 mm).

Fine adjustments are ideal for "shaving" small amounts from your material. For example, if your planed workpiece measures 3-1/16" (77.8 mm) thick, but should be 3" (76.2 mm) thick, adjust your planer to remove the excess 1/16" (1.6 mm) as follows:

1. Plane and measure your workpiece. In this example, the finished thickness is 3-1/16" (77.8 mm).
2. Turn the circular label on the depth adjustment handle until the "0" mark aligns with the arrow on the top of the tool. Do not make any other adjustments to the planer.
3. Turn the depth adjustment handle clockwise until the 1/16" (1.6 mm) mark aligns with the arrow.
4. Plane your workpiece. The final thickness should be 3" (76.2 mm).

### Material Removal Gauge

Your planer is equipped with a material removal gauge. It is used to indicate the amount of wood that will be removed in one pass with the carriage set at its current height.

### TO USE THE MATERIAL REMOVAL GAUGE

**WARNING:** DO NOT SWITCH THE UNIT ON WITH THE MATERIAL POSITIONED UNDER THE CARRIAGE. SERIOUS INJURY COULD RESULT.

1. Slide approximately 3" (76.2 mm) of your material under the arrow (K) located in the middle of the carriage (Fig. 10).
2. The wood must lay flat against the base of the planer. If the material is inserted at an angle, the reading may be inaccurate.
3. Unlock and crank the carriage down on the material until the material removal bar engages the wood. The red indicator (L) moves up the scale indicating the amount of material to be removed with the carriage at that height.
4. Adjust the carriage height until the desired depth of cut appears on the gauge.
5. Pull the material out from under the carriage.
6. Lock the carriage lock lever.
7. Turn the unit on and feed your material into the cutter head.

**NOTE:** Do not exceed the recommended depth of cut for various widths of material recommended on the material removal gauge (Table A).

### Turret Stop

Your planer is equipped with a turret stop (M), shown in Figure 11, for repetitive planing of pre-set depths. Stops are set at 0", 1/4"

(6.4 mm), 1/2" ( 12.7 mm) and 3/4" (19.0 mm). Use the 0" setting when planing between 1/8" (3.2 mm) and 1/4" (6.4 mm).

### TO SET A PLANING DEPTH

1. Be sure the carriage is set above 1-1/4" (31.8 mm) before trying to set the turret stop.
2. Turn the turret stop until the desired measurement shows (Fig. 11).
3. Unlock the head lock lever (Fig. 8). Turn the depth adjustment crank, lowering the carriage by the desired increments, until it contacts the turret stop.

**NOTE:** DO NOT USE FORCE TO CRANK THE CARRIAGE BELOW THE LEVEL THAT THE TURRET STOP INDICATES. PERMANENT DAMAGE TO THE HEIGHT ADJUSTMENT SYSTEM ON YOUR PLANER WILL RESULT.

**NOTE:** The 3/4" (19.0 mm) turret stop can be adjusted for other planing thicknesses. Adjusting the 3/4" (19.0 mm) turret stop does not affect the other turret stop settings.

### TO ADJUST THE 3/4" (19.0 MM) STOP FOR OTHER THICKNESSES

1. Unlock the head lock lever (Fig. 8) and turn the adjustment handle counterclockwise to raise the cutter head.
2. From the back of the tool, locate the turret adjustment bolt (N) shown in Figure 11. This bolt is set for a 3/4" (19.0 mm) depth of cut at the factory. Use the crescent wrench provided to loosen the jam nut. Adjust the bolt up or down to reach the desired planing depth.
3. Turn the depth adjustment crank, lowering the carriage by the desired increments, until it contacts the turret stop.

## PLANING BASICS

### Proper Planing Technique

**▲ WARNING:** DO NOT TURN THE UNIT ON WITH THE MATERIAL ALREADY INSERTED UNDER THE CARRIAGE. WAIT UNTIL THE ROLLERS AND CUTTER HEAD ARE UP TO FULL SPEED BEFORE FEEDING YOUR MATERIAL INTO THE MACHINE.

### TO PLANE YOUR MATERIAL

Your planer works best on lumber with at least one flat surface. If both sides of your workpiece are rough, use a jointer to level one face.

TABLE A

MATERIAL REMOVAL GAUGE		DEPTH OF CUT
1/8"	3/32"	0"
1/4"	1/16"	1/32"
3/8"	1/8"	
1/2"	3/16"	
5/8"	1/4"	
3/4"	5/16"	
7/8"	3/8"	
1"	7/16"	
1 1/8"	1/2"	
1 1/4"	9/16"	
1 1/2"	5/8"	
1 3/4"	11/16"	
2"	3/4"	
2 1/4"	7/8"	
2 1/2"	15/16"	
3"	1"	

WIDTH

FIG. 8

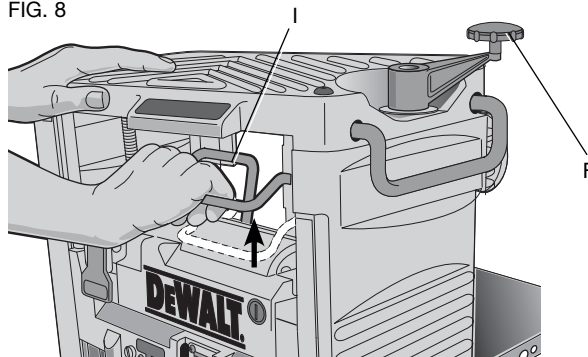


FIG. 9

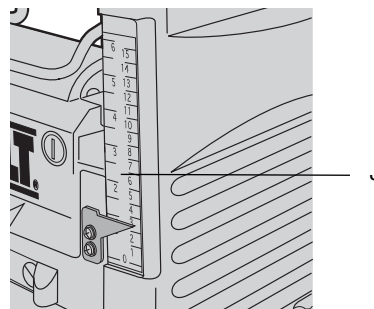


FIG. 10

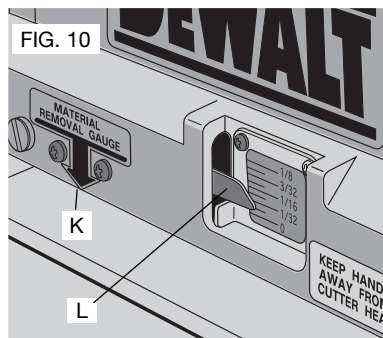
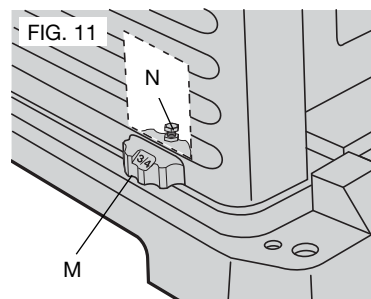


FIG. 11



Support the workpiece adequately at all times. The maximum depth of cut your planer can take in one pass is 1/8" (3.2 mm) [on material less than 6" (152 mm) wide]. Never attempt to modify your planer to take a deeper cut. Follow the depth/width of cut guidelines shown in Table A for best results.

1. Lower the carriage to the desired height for your first pass.
2. Turn the unit on and feed the material into the feed rollers.
3. Examine the finished cut and adjust the carriage to the appropriate height for your next pass.

See the *Troubleshooting Guide* at the end of this section for more information.

**▲ WARNING:** Do not place your body between the workpiece and a stationary structure while the material is feeding out. Personal injury and/or damage to the work piece may occur.

**▲ WARNING:** This tool is designed to plane only wood. Do not try to plane materials other than wood.

**▲ WARNING:** Never plane wood which is shorter than 12" (304.8 mm) in length.

**▲ WARNING:** Plane only wood that is free from foreign objects, with no loose knots and as few tight knots as possible. Do not plane wood that is severely warped, twisted, knotted or bowed.

**▲ WARNING:** Do not feed wood across the grain, always feed wood in the direction of the wood grain.

**NOTE:** For best results, plane both sides of the workpiece to reach a desired thickness. For example, if you need to remove 1/8" (3.2 mm) from your workpiece, remove 1/16" (1.6 mm) from each side. This not only allows the workpiece to dry with a even moisture content, it also produces finer cuts.

**NOTE:** Always plane in the direction of the grain. Planing material less than 3/4" (19.0 mm) wide is not recommended. If you must plane narrow material, group the pieces together and plane them as one wide workpiece whenever possible.

### MINIMUM/MAXIMUM WIDTH/HEIGHT/DEPTH

**NOTE:** There is a certain area on the carriage of your planer that will allow the 1/8" (3.2 mm) depth of cut on material less than 6" (152.4 mm) wide. See Figure 12 for an approximate location of this area. Your material must move under this section of the carriage or planer will not take a 1/8" (3.2 mm) depth of cut. If the material is wider than 6" (152.4 mm), it will not fit through this area with an 1/8" depth cut.

### Snipe

Snipe is a depression made when an unsupported end of your material bends downward, causing the opposite end to lift up into the cutter head. If you are planing material that is especially long, the use of additional material support is recommended.

### TO AVOID SNIPE

Feed the workpiece into the planer so it is level and remains flat against the base at all times.

FIG. 12

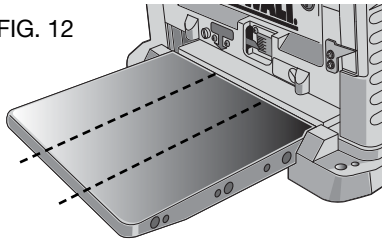


FIG. 13



FIG. 14

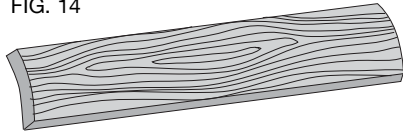


FIG. 15

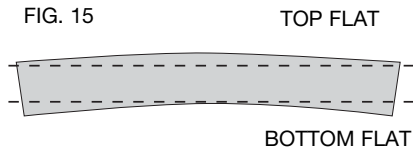
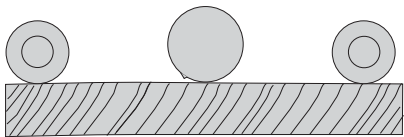
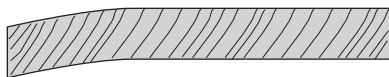


FIG. 16

BOWED WOOD WILL BE FLATTENED BY  
FEED ROLLERS AND CUTTER HEAD...



...BUT BOW WILL RETURN AFTER  
WOOD IS PLANED



Keep long workpieces level throughout planing operation by receiving or "catching" them from the rear of the planer.

**⚠ WARNING:** Do not place your body between the workpiece and a stationary structure while the material is feeding out. Personal injury and/or damage to the work piece may occur.

### Twisted, Cupped and Bowed Wood

If both sides of your material are very rough or if the material is cupped, bowed or twisted, the planer may not produce the desired result. Ideally, you should have at least one level face/surface on your material before you plane. Your thickness planer will work best with material that has been run through a jointer to produce one flat surface. If you do not have at least one flat surface or a jointer, see the following recommendations:

#### TO PLANE TWISTED WOOD (FIG. 13)

**⚠ WARNING:** TWISTED WOOD MAY JAM YOUR THICKNESS PLANER. IF A JAM OCCURS, TURN THE POWER OFF, DISCONNECT THE POWER SUPPLY AND RAISE THE CARRIAGE TO RELEASE THE MATERIAL FROM THE CUTTER HEAD.

#### To plane only slightly twisted material:

Plane both sides alternating from one to the other until the desired thickness is reached.

#### TO PLANE CUPPED WOOD (FIG. 14)

##### To obtain the best possible results with cupped wood:

Rip the material down the middle and plane it as two separate pieces.

**NOTE:** Ripping the material reduces the severity of the cup and allows the machine to deliver better results. More material will be removed on cupped wood to achieve the desired thickness than on a normal board.

##### If ripping the material is not an option:

Plane one side of the material until flat, then plane the opposite side until flat (Fig. 15).

**NOTE:** Do not flip the board back and forth between each pass as recommended by the general planing directions.

#### TO PLANE BOWED WOOD (FIG. 16)

The feed rollers and cutter head in your planer will push the bow out of the material as it feeds. When the material exits the planer, the pressure of the rollers and cutter head will release allowing the wood to spring back into a bowed formation. To properly remove the bow, use a jointer.

### CHANGING THE PLANER KNIVES

**⚠ WARNING:** To reduce the risk of serious personal injury, turn tool off and disconnect tool from power source before making any adjustments or removing/installing attachments or accessories.

Your planer is equipped with a three-knife cutter head with three blades that have two sharpened edges. These blades can be rotated once and changed as needed.

FIG. 17



FIG. 18

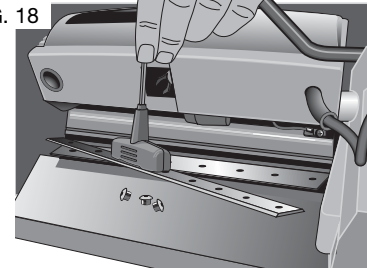


FIG. 19

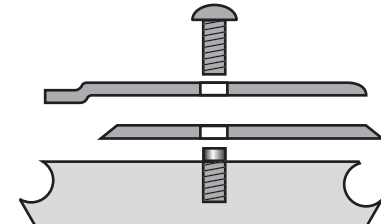


FIG. 20

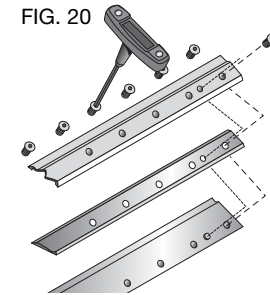
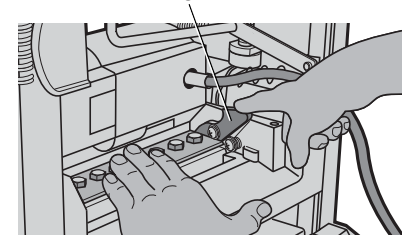


FIG. 21



**CHANGE BLADES WHEN:**

- *dull – may cause feeding issues.*
- *slow feed or no feed.*
- *motor overloading can also be an indication that knives are dull and result in frequent breaker trips.*
- *excessive tearout of the wood material being planed*
- *nicked – blades can become nicked when planing very knotty wood or when foreign material is not removed from the wood being planed.*

**TO CHANGE PLANER KNIVES**

1. Use the T-wrench to remove the tool tray. The cutter head should now be exposed.

If the eight bolts in the knife clamp ARE NOT visible, use a piece of scrap wood to carefully rotate the cutter head until the bolts are accessible and the cutter head locking lever engages as shown in Figure 21 (O). This will prevent further rotation of the cutter head as you change each knife (Fig. 17).

If the bolts ARE visible, be sure that the cutter head locking lever is engaged so the cutter head does not rotate while you are changing the knives. To do this, use a piece of scrap wood to attempt to rotate the cutter head. The locking lever will click into place if it is not already engaged.

**⚠WARNING: KEEP YOUR FINGERS AWAY FROM THE CUTTER HEAD AT ALL TIMES. USE THE TOOL PROVIDED TO HANDLE THE KNIVES.**

2. Remove bolts from knife clamp.
3. Use the magnets on the top of the T-wrench to attract the knife clamp and lift the knife off the cutter head (Fig. 18). One of the knives should now be exposed.
4. Use the magnet on the top of the T-wrench to attract and handle the knife. **AVOID TOUCHING THE KNIFE WITH YOUR FINGERS.** The knives on your planer are sharpened on both edges.

**If only one edge of the knife is worn:**

1. Turn the knife around so that the sharp, unused edge hangs over the edge of the cutter head where it will cut the material. Be sure to set the oblong holes in the knife over the pins machined on the cutter head (Fig. 19).
2. To reset the knife clamp, align the beveled edge of the knife clamp with the cutting edge of the knife (Fig. 20). If these are not aligned correctly, the clamp will not secure the knife properly.
3. Place the screws through the holes in the knife clamp and knife into the cutter head.
4. Tighten the screws sufficiently.

**To access and replace the other two knives:**

1. Depress the cutter head lock lever (O) as shown in Figure 21.
2. Use the piece of scrap wood to carefully turn the cutter head until it locks into place revealing another knife clamp and dull knife.
3. Repeat the procedure indicated above.

**If the knives are dull on both edges:**

1. Follow the same knife change procedure indicated above. **HOWEVER**, discard the dull knives and install new ones onto the cutter head. Blades can not be sharpened.
2. Repeat the procedure for the remaining knives.

**After installing or reversing the knives:**

1. Replace the tool tray onto the unit.
2. Tighten the screws onto the tray.

**NOTE:** THE PLANER WILL NOT OPERATE IF THE TOOL TRAY IS NOT INSTALLED CORRECTLY.

**MAINTENANCE**

**⚠WARNING: To reduce the risk of serious personal injury, turn tool off and disconnect tool from power source before making any adjustments or removing/installing attachments or accessories.**

**Periodic Maintenance**

**⚠WARNING: To reduce the risk of serious personal injury, turn tool off and disconnect tool from power source before making any adjustments or removing/installing attachments or accessories.**

1. Routinely check the tool for damage or broken parts.
2. Clean the unit of dust and debris that has collected in all accessible areas of the planer from planing wood material.
3. Wipe off infeed and outfeed rollers.
4. Clean base table. Light waxing will help wood material pass through the planer.
5. Evaluate blade sharpness condition. Replace as necessary.
6. Gauge Calibration, check thickness gauge calibration and turret stop calibration.
7. Check brushes for wear and replace as necessary.

**Installing a New Belt**

**NOTE:** No tools are necessary to install a belt. The use of a screwdriver or other tool to pry or stretch a belt may cause damage to the pulleys and ultimately destroy the new belt.

1. Remove the crank handle.
2. Remove the two hex screws from the top, right side of the planer.
3. Remove the two, small cross head screws securing the side panels to the top of the planer.
4. Lift the side panel up out of the slot in the base and remove the panel from the machine. Notice the grooves inside the belt.
5. Start the belt on the top pulley (P) with 3 grooves on the pulley, as shown in Figure 22.
6. Guide the belt between the lower pulley and the height adjustment screw (Q), as shown in Figure 23.
7. With three grooves engaged on the large pulley, rotate the pulley clockwise. Keep pressure on the edge of the belt to keep the grooves engaged on the small pulley.

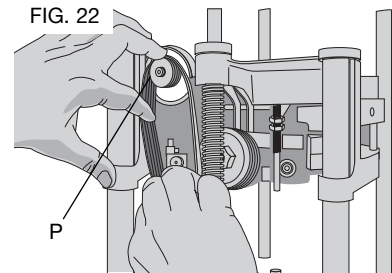


FIG. 23

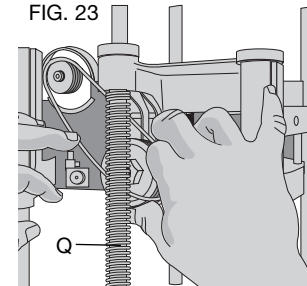


FIG. 24

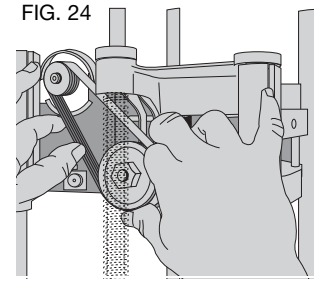


FIG. 25

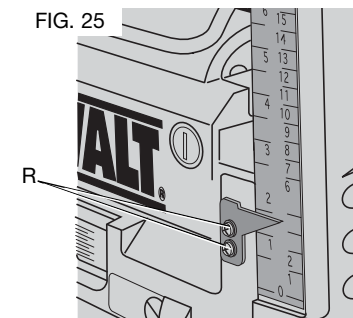
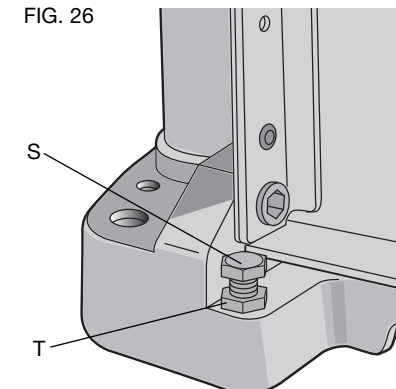
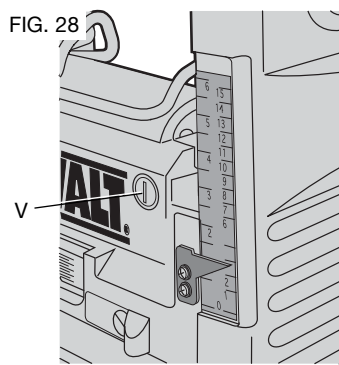
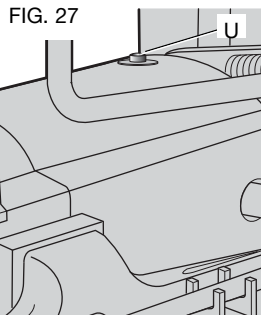


FIG. 26







8. Continue pressure on the side of the belt and rotate the large pulley while hopping the belt further onto the pulleys, as shown in Figure 24.
9. All of the belt grooves should be engaged in the final position and the pulleys should rotate smoothly.
10. Reinstall the side cover and the screws. Do not overtighten the self-tapping screws.

### Calibrating the Depth Adjustment Scale

The depth adjustment scale on your planer is set at the factory. However, with extended use, the depth adjustment scale could show an incorrect measurement.

#### TO CHECK THE DEPTH ADJUSTMENT SCALE

1. Plane a piece of wood, noting the measurement on the depth adjustment scale.
2. Measure the finished thickness of the workpiece.
3. If the thickness of the workpiece does not match the reading on the depth adjustment scale, loosen the two cross head screws (R) shown in Figure 25.
4. Adjust the pointer up or down until its reading matches the finished thickness of the workpiece. Securely re-tighten the screws.

### Leveling the Table Extensions

After extended use, the table extensions might become slightly out of level. To ensure that the tables are level, place a straight edge on the table extension. The straight edge should contact the edge of the table extension and the main table (Fig. 7). When leveling, press the edge of the table extensions down to remove any play. For best results, use a level long enough to contact the edges of both table extensions.

If the table extensions are not level, loosen the jam nuts (T) and adjust the table extension support bolts (S) up or down (Fig. 26).

**NOTE:** The outside edges of the extension tables are level with the base while the inside edges (closest to the cutter head) are below the edge of the base. This is set at the factory to reduce unnecessary friction between the material

and the table while providing adequate support at the two points (those farthest from the cutter head) on the tables that are integral to snipe prevention.

#### TABLE

Keep the table clean and free from oil, grease and pitch. Treat the table with paste wax to help maintain its smooth finish.

### Circuit Breaker Reset Button (Fig. 27)

Your planer is equipped with an 18 amp circuit breaker. If your planer becomes overloaded and stops operating, turn off the planer, let the unit sit for 2 minutes and press the reset button (U) before you resume working.

**⚠WARNING:** To prevent the planer from starting unexpectedly if power is interrupted by a circuit breaker trip, make sure the switch is in the OFF position before restoring power.

**NOTE:** Circuit breaker overload is often the result of dull knives. Change your knives on a regular basis to avoid tripping your breaker. Check your knives before re-setting the circuit breaker and continuing to plane.

See the *Troubleshooting Guide* at the end of this section for more information.

### Brushes

Inspect carbon brushes regularly. Keep brushes clean and sliding freely in their guides. Always replace a used brush in the same orientation in the holder as it was prior to its removal.

Carbon brushes have varying symbols stamped into their sides, and if the brushes are worn down to the line closest to the spring, they must be replaced. Use only identical DEWALT brushes.

New brush assemblies are available at DEWALT service centers. After replacing brush assemblies, the tool should be allowed to "run in" (run at no load) for 10 minutes to seat new brushes before using.

#### TO REMOVE BRUSH ASSEMBLY (FIG. 28)

**⚠WARNING:** To reduce the risk of serious personal injury, turn tool off and disconnect tool from power source before making any adjustments or removing/installing attachments or accessories.

1. Remove the brush inspection cap (V).
2. Withdraw the brush assembly.

### Cleaning and Lubrication

**⚠CAUTION:** Never let any liquid get inside the tool; never immerse any part of the tool into a liquid. Electric shock may result.

**⚠CAUTION:** Never use solvents or other harsh chemicals for cleaning the non-metallic parts of the tool.

It is recommended that, once a year, you take or send the tool to a DEWALT certified service center for a thorough cleaning, inspection and lubrication of the gear case.

### Accessories

There are three accessories available for the DW734 thickness planer:

- DW7331 – Dust Hood for DW734 (also fits the DW733)
- DW7342 – 12-1/2" (317.5 mm) Disposable Reversible Planer Knives
- DW7350 – Mobile Stand

**⚠CAUTION:** The use of any other accessory not recommended for use with this tool could be hazardous.

If you need any assistance in locating these accessories, please contact DEWALT Industrial Tool Co., 701 East Joppa Road, Baltimore, MD 21286 or call 1-800-4-DEWALT (1-800-433-9258).

### Repairs

To assure product SAFETY and RELIABILITY, repairs, maintenance and adjustment should be performed by authorized service centers or other qualified service personnel. Always use identical replacement parts.

### Three Year Limited Warranty

DEWALT will repair, without charge, any defects due to faulty materials or workmanship for three years from the date of purchase. This warranty does not cover part failure due to normal wear or tool abuse. For further detail of warranty coverage and warranty repair information, visit [www.dewalt.com](http://www.dewalt.com) or call 1-800-4-DEWALT (1-800-433-9258). This warranty does not apply to accessories or damage caused where repairs have been made or attempted by others. This warranty gives you specific legal rights and you may have other rights which vary in certain states or provinces.

In addition to the warranty, DEWALT tools are covered by our:

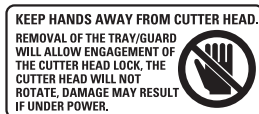
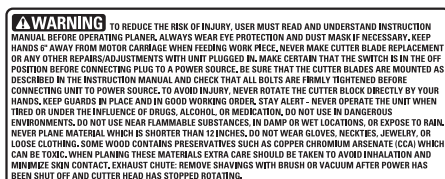
#### 1 YEAR FREE SERVICE

DEWALT will maintain the tool and replace worn parts caused by normal use, for free, any time during the first year after purchase.

#### 90 DAY MONEY BACK GUARANTEE

If you are not completely satisfied with the performance of your DEWALT Power Tool, Laser, or Nailer for any reason, you can return it within 90 days from the date of purchase with a receipt for a full refund – no questions asked.

**FREE WARNING LABEL REPLACEMENT:** If your warning labels become illegible or are missing, call 1-800-4-DEWALT (1-800-433-9258) for a free replacement.



## Troubleshooting Guide

### IF THE MATERIAL DOES NOT FEED PROPERLY, CHECK FOR:

- dull knives, rotate or replace as necessary. Refer to *Changing the Planer Knives* section.
- excess clogging in the dust hood. Refer **Dust Hood Installation** paragraph in the *Assembly* section.
- excess oil/debris/pitch on feed rollers. Refer to **Periodic Maintenance** and **Cleaning and Lubrication** paragraphs under the *Maintenance* section.
- excessively twisted, cupped or bowed material. Refer to **Twisted, Cupped and Bowed Wood** paragraph in the *Basic Planing* section.
- a broken drive belt. Refer to **Installing a New Belt** paragraph in the *Maintenance* section.
- dull knives. Refer to *Changing the Planer Knives* section.

### IF THE CIRCUIT BREAKER TRIPS REPEATEDLY:

- dull knives, dull knives can cause motor overloading, rotate or replace as necessary. Refer to *Changing the Planer Knives* section.
- NOTE:** Circuit breaker overload is often the result of dull knives. If the circuit breaker on your planer trips, check the sharpness of your knives before attempting to reset the breaker in order to continue planing.
- reduce the depth of cut, an overly aggressive cut could cause motor overloading. Refer to **Depth Adjustment** paragraph in the *Operation* section.

### IF THE UNIT DOES NOT RUN, CHECK TO SEE:

- if the unit is plugged in. Ensure unit is plugged into the appropriate outlet, refer to the *Important Safety Instructions for All Tools* section.
- if the tool tray is properly in place. Refer to Figure 1 for proper location.
- if the circuit breaker needs to be reset. Refer to **Circuit Breaker Reset Button** paragraph under the *Maintenance* section.
- if the motor brushes are depleted, replace as necessary. Refer to **Brushes** paragraph under the *Maintenance* section.

## Définitions : lignes directrices en matière de sécurité

Les définitions ci-dessous décrivent le niveau de gravité pour chaque symbole. Veuillez lire le mode d'emploi et porter une attention particulière à ces symboles.

**⚠ DANGER :** Indique une situation dangereuse imminente qui, si elle n'est pas évitée, causera la mort ou des blessures graves.

**⚠ AVERTISSEMENT :** Indique une situation potentiellement dangereuse qui, si elle n'est pas évitée, pourrait se solder par un décès ou des blessures graves.

**⚠ ATTENTION :** Indique une situation potentiellement dangereuse qui, si elle n'est pas évitée pourrait se solder par des blessures mineures ou modérées.

**AVIS :** Indique une pratique ne posant aucun risque de dommages corporels mais qui par contre, si rien n'est fait pour l'éviter, pourrait poser des risques de dommages matériels.

POUR TOUTE QUESTION OU REMARQUE AU SUJET DE CET OUTIL OU DE TOUT AUTRE OUTIL DEWALT, COMPOSER LE NUMÉRO SANS FRAIS :

1 800 4-DEWALT (1 800 433-9258)

## CONSERVER CES CONSIGNES

### Consignes de sécurité générales pour tous les outils

**⚠ AVERTISSEMENT :** Pour sa propre sécurité, il est important de lire le guide d'utilisation avant d'utiliser la raboteuse. On doit respecter les avertissements afin d'éviter de se blesser ou d'endommager gravement la raboteuse. Pour réparer cet outil, utiliser seulement des pièces de rechange identiques. Faire remplacer les cordons d'alimentation endommagés par un centre de service autorisé.

### MISE À LA TERRE

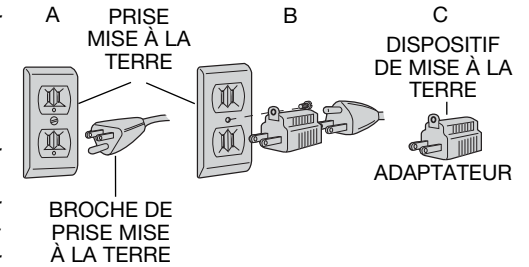
En cas de défaillance ou de bris, la mise à la terre procure un chemin de moindre résistance au courant électrique afin de réduire le risque de secousses électriques. L'outil est muni d'un cordon comportant un conducteur de terre et d'une fiche de terre. Il faut brancher la fiche dans une prise correspondante bien installée et mise à la terre selon les lois et règlements de la région. Il ne faut pas modifier la fiche de l'outil; lorsque la fiche ne s'insère pas dans la prise, faire installer une prise appropriée par un électricien certifié.

Une mauvaise connexion du fil de terre présente des risques de secousses électriques. Le conducteur vert (ou vert et jaune) du cordon constitue la mise à la terre. Si la réparation ou le remplacement d'un cordon d'électrique ou d'une fiche s'avèrent nécessaires, ne pas brancher la mise à la terre dans une borne sous tension.

Consulter un électricien certifié ou un représentant du service à la clientèle si les instructions de mise à la terre ne sont pas parfaitement assimilées ou si un doute réside quant à la mise à la terre. Utiliser seulement des cordons de rallonge trifilaires ayant une fiche à 3 broches ainsi qu'une prise à 3 trous acceptant la fiche de l'outil.

## RÉPARER OU REMPLACER IMMÉDIATEMENT TOUT CORDON ENDOMMAGÉ OU USÉ.

Cet outil est conçu pour être alimenté par un circuit dont la fiche ressemble à celle illustrée à la figure A. L'outil comporte une fiche de mise à la terre qui ressemble à celle illustrée à la figure A. On peut utiliser un adaptateur temporaire (figures B et C) pour brancher ce type de fiche dans des prises à deux trous (figure B). Utiliser l'adaptateur temporaire uniquement en attendant l'installation d'une prise mise à la terre par un électricien certifié. L'oreille ou la cosse rigide et verte de l'adaptateur doit être reliée à une mise à la terre permanente, comme une prise bien mise à la terre. L'adaptateur (C) ne peut être utilisé au Canada.



**⚠ AVERTISSEMENT :** Afin de réduire les risques d'incendie, de choc électrique et de blessure durant l'utilisation d'outils électriques, il faut toujours respecter certaines mesures de sécurité fondamentales, notamment :

### Consignes de sécurité d'ordre général

- **S'ASSURER QUE LES PROTECTEURS SONT EN PLACE** et en état de fonctionner.
- **DÉPOSER LES CLÉS DE RÉGLAGE OU DE SERRAGE.** Prendre l'habitude de vérifier si les clés de réglage et de serrage sont déposées de l'outil avant de le mettre en marche.
- **L'AIRE DE TRAVAIL DOIT ÊTRE PROPRE.** Les aires de travail et les établis encombrés peuvent entraîner des blessures.
- **NE PAS UTILISER L'OUTIL DANS UN ENVIRONNEMENT DANGEREUX.** Ne pas utiliser les outils électriques dans des endroits humides ou détremés, et ne pas les exposer à la pluie. L'aire de travail doit être bien éclairée. Toujours utiliser l'outil dans un endroit bien aéré et exempt de matières combustibles, d'essence ou de vapeurs de solvants. Si des étincelles viennent en contact avec des vapeurs inflammables, celles-ci risquent de prendre feu et d'entraîner un incendie ou une explosion.
- **TENIR LES ENFANTS À DISTANCE.** Tous les visiteurs doivent être tenus à une distance sûre de l'aire de travail.
- **PRÉPARER L'ATELIER DE FAÇON À PROTÉGER LES ENFANTS** à l'aide de cadenas et de commutateurs principaux, ou en enlevant les clés de mise en marche.
- **NE PAS FORCER L'OUTIL.** Il permettra de faire le travail de façon plus efficace et plus sûre s'il fonctionne suivant la cadence pour laquelle il a été conçu.
- **UTILISER L'OUTIL APPROPRIÉ.** Ne pas forcer un outil ou un accessoire à faire une tâche pour laquelle il n'est pas conçu.
- **UTILISER UNE RALLONGE APPROPRIÉE.** Vérifier si la rallonge est en bon état. S'il y a lieu d'utiliser une rallonge, s'assurer que celle-ci est de calibre suffisamment élevé pour acheminer le courant nécessaire au fonctionnement de l'outil. Une rallonge de calibre trop faible pourrait causer une chute de tension se traduisant par une perte de courant et une surchauffe. Le tableau qui suit indique le calibre approprié selon la longueur de la rallonge et l'intensité indiquée sur la plaque signalétique. En cas de doute, utiliser le calibre supérieur suivant. Plus le numéro de calibre est petit, plus le calibre de la rallonge est élevé. Lorsqu'on utilise un outil électrique à l'extérieur, il faut employer une rallonge portant l'inscription "W-A" ou "W". Ces rallonges sont conçues pour l'utilisation à l'extérieur et réduisent le risque de choc électrique.

Calibres minimaux des rallonges						
Intensité (en ampères)		volts	Longueur totale de cordon en mètres (pieds)			
			120V	7,6 (25)	15,2 (50)	30,5 (100)
		240V	15,2 (50)	30,5 (100)	61,0 (200)	91,4 (300)
Supérieur à	Inférieur à	AWG				
0	6	18	16	16	14	
6	10	18	16	14	12	
10	12	16	16	14	12	
12	16	14	12	Non recommandé		

- **PORTER DES VÊTEMENTS APPROPRIÉS.** Éviter de porter des vêtements amples, des gants, une cravate, des bagues, des bracelets et tout autre bijou pouvant être happé par des pièces mobiles. Il est recommandé de porter des chaussures à semelles antidérapantes et de se couvrir la tête pour retenir les cheveux longs. Il faut également se tenir à l'écart des événements qui recouvrent souvent les pièces mobiles.
- **PORTER DES LUNETTES DE SÉCURITÉ EN TOUT TEMPS.** Porter également un masque facial ou antipoussière si l'opération de coupe produit de la poussière. Les lunettes ordinaires sont seulement pourvues de verres résistants à l'impact; ce ne sont pas des lunettes de sécurité.
- **LORSQU'IL EST EN MARCHÉ, L'OUTIL PEUT PROJETER DES DÉBRIS, DU MATÉRIEL AMALGAMÉ OU DE LA POUSSIÈRE POUVANT CAUSER DES LÉSIONS OCULAIRES À L'OPÉRATEUR.** L'opérateur et toutes les personnes dans la zone environnante doivent porter des lunettes de sécurité avec écrans latéraux fixes. Les lunettes de sécurité approuvées sont estampillées avec la mention "Z87.1". L'employeur a la responsabilité d'imposer le port d'équipement de protection des yeux à l'opérateur et à toutes les autres personnes dans la zone de travail.
- **IMMOBILISER LA PIÈCE À RABOTER.** Lorsque c'est possible, utiliser des pinces ou un étau pour immobiliser la pièce sur laquelle on travaille. En plus de se protéger les mains, l'opérateur dispose ainsi de ses deux mains pour manier l'outil.
- **NE PAS TENDRE LE BRAS TROP LOIN.** Il faut demeurer en équilibre en tout temps.
- **VEILLER À ENTREtenir CORRECTEMENT LES OUTILS.** Affûter et nettoyer les outils pour en obtenir un rendement optimal et une sécurité maximale. Respecter les instructions sur la lubrification et le remplacement des accessoires.
- **DÉBRANCHER LES OUTILS** avant toute réparation ou lorsqu'on remplace des accessoires comme les lames, les forets, les couteaux, etc.
- **RÉDUIRE LES RISQUES DE MISE EN MARCHÉ INTEMPESIVE.** Veiller à ce que l'interrupteur soit en position d'arrêt (OFF) avant de brancher l'outil.

- **N'UTILISER QUE LES ACCESSOIRES RECOMMANDÉS.** Consulter le guide d'utilisation pour les accessoires recommandés. L'utilisation d'accessoires inadéquats risque d'entraîner des blessures.
- **NE JAMAIS SE METTRE DEBOUT SUR L'OUTIL.** On risque alors de graves blessures si l'outil s'incline ou si l'on entre accidentellement en contact avec l'outillage de coupe.
- **VÉRIFIER LES PIÈCES ENDOMMAGÉES.** Avant de continuer à utiliser l'outil, inspecter attentivement le protecteur ou toute autre pièce endommagée afin de s'assurer qu'il fonctionnera adéquatement et remplira sa fonction - s'assurer que les pièces mobiles sont alignées et qu'elles ne restent pas coincées, qu'aucune pièce n'est brisée; vérifier si le montage et tout autre facteur pouvant avoir un impact sur son fonctionnement est approprié. Les protecteurs et autres pièces endommagés doivent être adéquatement réparés ou remplacés.
- **NE JAMAIS LAISSER L'OUTIL EN MARCHÉ SANS SURVEILLANCE. LE METTRE HORS TENSION.** Ne jamais laisser l'outil avant qu'il ne soit complètement arrêté.

### Règles de sécurité supplémentaires propres aux raboteuses

- Pour réduire les risques de blessures, on doit lire et comprendre le guide d'utilisation avant d'utiliser la raboteuse.
- Toujours porter des lunettes de sécurité et, au besoin, un masque antipoussière.
- Ne pas s'approcher les mains en dessous du chariot porte-couteaux.
- Sens de l'entraînement. Faire avancer le matériau à travailler dans le sens des flèches d'entraînement situées sur le dessus de l'appareil.
- Ne jamais tenter d'enlever des obstructions, de remplacer un couteau ou d'effectuer une réparation ou un réglage quelconque lorsque l'appareil est branché.
- On doit s'assurer que l'interrupteur est en position d'arrêt (OFF) avant d'insérer la fiche dans une prise d'alimentation.
- S'assurer que les couteaux sont montés conformément aux instructions du guide d'utilisation et s'assurer que tous les boulons sont bien serrés avant de brancher l'appareil à une source d'alimentation.
- Pour éviter les blessures, ne jamais se servir de ses mains pour faire tourner l'arbre porte-couteaux.
- Maintenir les protecteurs en place et en bon état de fonctionnement.
- Rester vigilant – ne jamais utiliser l'appareil si on est fatigué ou sous l'influence de drogues, d'alcool ou de médicaments.

- Ne pas utiliser dans un environnement dangereux. Ne pas utiliser près de substances inflammables ou dans des endroits humides ou détremés; ne pas exposer à la pluie.
- Ne jamais raboter des matériaux de longueur inférieure à 304,8 mm (12 po).
- Chute d'évacuation : enlever les rognures avec une brosse ou un aspirateur après avoir mis l'appareil hors tension et attendu que le porte-couteaux arrête de tourner.
- Arrimer systématiquement la raboteuse à une surface de travail stable à l'aide des trous de montage sur la base. Se reporter à la section **Fixation à un établi**.
- **TOUJOURS PRÉVOIR UN DÉGAGEMENT APPROPRIÉ À LA SORTIE** de la raboteuse afin d'éviter que la pièce de matériau rabotée ne soit pincée ou coincée contre un obstacle quelconque.
- **Nettoyer l'outil fréquemment, plus particulièrement s'il est soumis à une utilisation intensive.** De la poussière contenant des particules métalliques s'accumule souvent sur les surfaces intérieures et pourrait entraîner de graves blessures et provoquer un choc électrique ou même une électrocution. **PORTER DES LUNETTES DE SÉCURITÉ EN TOUT TEMPS.**

▲ **AVERTISSEMENT** : Il est recommandé de se mettre à deux personnes pour soulever cet appareil afin d'éviter les risques de blessures graves.

▲ **AVERTISSEMENT** : porter un dispositif personnel approprié de protection auditive durant l'utilisation. Sous certaines conditions et suivant la longueur d'utilisation, le bruit émanant de ce produit pourrait contribuer à une perte de l'acuité auditive.

▲ **AVERTISSEMENT** : Certaines poussières créées par le ponçage, le sciage, le meulage et le forage mécaniques ainsi que d'autres activités de construction contiennent des produits chimiques dont on sait qu'ils causent le cancer, des anomalies congénitales ou d'autres anomalies liées à la reproduction. Parmi ces produits chimiques, citons notamment :

- le plomb des peintures au plomb;
- la silice cristalline provenant des briques, du béton et autres matériaux de maçonnerie;
- l'arsenic et le chrome provenant du bois traité (arséniate de cuivre et de chrome).

Le risque associé à ces expositions varie selon la fréquence de ces types de travaux. Pour réduire l'exposition aux produits chimiques : travailler dans un local bien ventilé et utiliser du matériel de sécurité approuvé, comme les masques antipoussière spécialement conçus pour filtrer les particules microscopiques.

- Éviter le contact prolongé avec la poussière provenant du ponçage, du sciage, du meulage et du forage mécanique ainsi que d'autres activités de construction. Porter des vêtements de protection et laver les parties du corps exposées au savon et à

**l'eau.** Le fait de permettre à la poussière de pénétrer dans la bouche et les yeux ou de se déposer sur la peau peut favoriser l'absorption de produits chimiques nocifs.

**⚠AVERTISSEMENT :** Toutes les personnes qui entrent dans la zone de travail doivent porter un masque ou un respirateur antipoussière. Le filtre doit être remplacé quotidiennement ou chaque fois que la personne qui le porte éprouve des difficultés à respirer. On peut se procurer le masque antipoussière approuvé (NIOSH/OSHA) à la quincaillerie locale.

- L'étiquette apposée sur l'outil peut comprendre les symboles suivants. Voici les symboles et leurs définitions :
 

V..... volts	A..... ampères
Hz..... hertz	W..... watts
min..... minutes	~ ..... courant alternatif
== .. courant continu	⊜ ..... courant alternatif ou continu
Ⓛ..... Construction de classe I (mis à la terre)	n <sub>0</sub> ..... vitesse à vide
Ⓜ..... Construction de classe II (à double isolation)	⊕ ..... borne de terre
BPM... coups par minute	⚠ ..... symbole d'alerte à la sécurité
RPM... rotations ou alternance par minute	.../min par minute

### Caractéristiques techniques

Alimentation.....	120 V c.a., 15 A
Vitesse à vide .....	10 000 tr / min
Vitesse d'alimentation.....	7,9 m (26 po) / min
Hauteur de rabotage.....	152 mm (6 po) max., 3,2 mm (1/8 po) min.
Largeur de rabotage .....	317,5 mm (12,5 po) max.
Profondeur de rabotage .....	3,2 mm (1/8 po) max. (planches de 152 mm (6 po) de large ou moins)

### Raccordement électrique

S'assurer que l'alimentation corresponde aux valeurs nominales inscrites sur la plaque signalétique de l'outil, soit 120 volts c.a. (courant alternatif seulement), 50/60 Hz. Une diminution de tension de 10 % ou plus entraînera une chute de puissance et une surchauffe. Tous les outils DEWALT sont mis à l'essai en usine. Si cet outil ne fonctionne pas, vérifier l'alimentation électrique.

### Transport de la raboteuse

**⚠AVERTISSEMENT :** il est plus sécuritaire de transporter l'outil à deux personnes, sans quoi on risque de se blesser gravement.

Pour déplacer la raboteuse, la tenir par les poignées latérales (B) ou par la base, là où des creux (C) sont prévus à cet effet (fig. 2).

Lors du transport ou de l'entreposage de la raboteuse, enrouler le cordon aux crochets (D) situés à l'arrière de l'outil (fig. 3).

### Fixation à un établi

Des trous de tailles différentes (E), aux quatre coins de la raboteuse, permettent la fixation de celle-ci à un établi (fig. 4). Utiliser les grands trous pour une fixation au moyen d'écrous, et les petits si on utilise des clous ou des vis. Il n'est pas nécessaire d'utiliser les deux formats de trous.

La raboteuse doit être fixée à une surface immobile. Si on désire pouvoir la déplacer aisément, on peut d'abord la fixer à une planche de contreplaqué de 12,7 mm (0,5 po) d'épaisseur ou plus, laquelle pourra ensuite être fixée au moyen de pinces à divers plans de travail.

**REMARQUE :** si on opte pour la fixation à une planche, on doit s'assurer que les vis de montage ne dépassent pas sous le contreplaqué; celui-ci doit reposer bien à plat sur le plan de travail.

**⚠ATTENTION :** la surface de montage ne doit être ni déformée, ni inégale de quelque façon que ce soit.

### ASSEMBLAGE

**⚠AVERTISSEMENT :** Pour réduire tout risque de dommages corporels graves, arrêter et débrancher l'outil avant tout réglage ou avant de retirer ou installer toute pièce ou tout accessoire.

### Manivelle de réglage de la profondeur

#### FIXATION DE LA MANIVELLE DE RÉGLAGE DE LA PROFONDEUR

1. Insérer la manivelle (F) au-dessus de la tige (fig. 5).
2. Fixer la manivelle au moyen de la vis creuse à six pans (star) et de la clé en T fournies.

#### INSTALLATION DE LA HOTTE À POUSSIÈRE (FIG. 1)

1. Retirez les vis (AA, fig. 1), et les mettre de côté.
2. Poussez à fond les clips (BB, fig. 1A) de la hotte à poussière à l'avant du plateau à outils puis tournez la hotte jusqu'à ce qu'elle s'enclenche en place.
3. Alignez les trous sur la hotte à poussière sur les trous du plateau à outils et le boîtier du moteur, puis fixez-la avec les vis retirées plus tôt.

**REMARQUE :** resserrer la vis inférieure d'abord puis les deux vis de côté.

4. Rattachez la hotte à poussière à un système de dépoussiérage. Reportez-vous au manuel de l'utilisateur du système de dépoussiérage pour suivre la procédure correcte ainsi que les directives de sécurité.

**⚠ATTENTION :** lorsque l'accessoire de dépoussiérage est utilisé, ne pas faire fonctionner l'appareil sans lui connecter un tuyau et un système de dépoussiérage en état de marche.

### FONCTIONNEMENT

**⚠AVERTISSEMENT :** Pour réduire tout risque de dommages corporels graves, arrêter et débrancher l'outil avant tout réglage ou avant de retirer ou installer toute pièce ou tout accessoire.

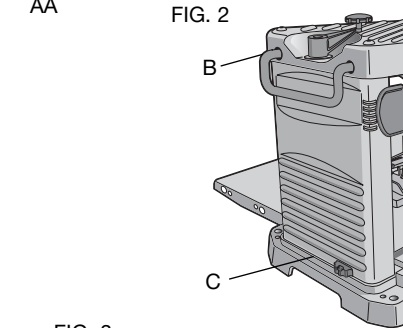
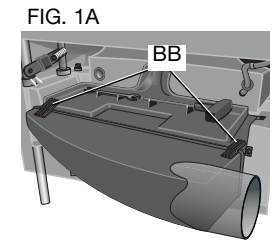
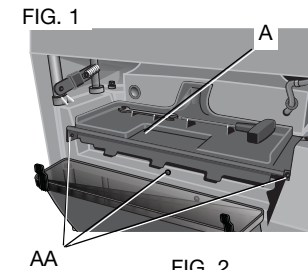
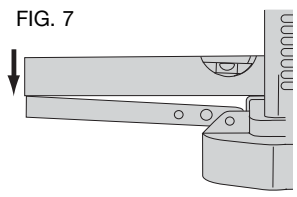
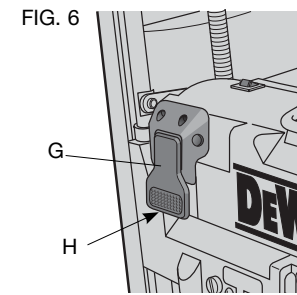
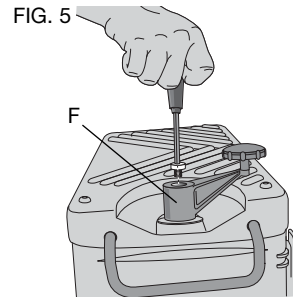
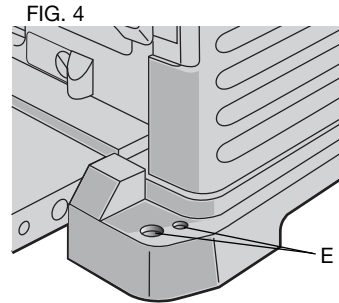
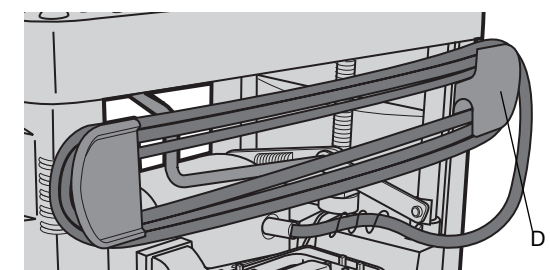


FIG. 3



## Interrupteur

Pour faire démarrer la raboteuse, soulever l'interrupteur (G), lequel reste automatiquement verrouillé en position de marche. Pour l'arrêter, rabattre l'interrupteur. Un trou (H) situé sous l'interrupteur permet de verrouiller ce dernier en position d'arrêt au moyen d'un cadenas (fig. 6).

## Rallonges de plateau

Avant d'utiliser la raboteuse, rabattre les rallonges de plateau situées à l'avant et à l'arrière de l'outil (fig. 7). Après de longues périodes d'utilisation, ces rallonges peuvent parfois se décaler; le cas échéant, se reporter à la section relative à la mise à niveau des rallonges de plateau, dans la section Entretien.

**REMARQUE :** les côtés externes de ces rallonges sont de niveau avec la base de l'outil, tandis que les côtés internes (ceux les plus rapprochés de l'organe de coupe) dépassent sous la base. Ces positions sont réglées en usine afin d'éviter la friction inutile de l'ouvrage contre le plateau, tout en procurant un soutien adéquat en deux points (soit ceux les plus éloignés de l'organe de coupe) sur le plateau, de manière à éviter de produire une dépression dans l'ouvrage.

## Verrouillage du chariot à lame

La raboteuse est pourvue d'un levier de verrouillage (I) pour le chariot à lame, laquelle se trouve sur le dessus du moteur (fig. 8). Ce dispositif sert à bloquer le chariot (contenant l'organe de coupe) contre les quatre montants de la raboteuse, ce qui permet de réduire les mouvements pouvant provoquer des dépressions dans l'ouvrage.

## Réglage de la profondeur

L'échelle de réglage de la profondeur (J) indique l'épaisseur qu'aura l'ouvrage une fois raboté (fig. 9). Un tour de manivelle permet de modifier la profondeur d'environ 1,6 mm (1/16 po), un demi-tour, de 0,8 mm (1/32 po), etc.

### REGLAGE DE L'ÉPAISSEUR VOULUE

1. Soulever le levier de verrouillage (I) de manière à débloquent l'organe de coupe (fig. 8), afin de pouvoir régler la position de celui-ci.
2. Régler l'épaisseur voulue en tournant la manivelle (F) vers la droite pour baisser l'organe de coupe, ou vers la gauche pour l'élever. Un tour complet de manivelle permet de modifier le réglage d'environ 1,6 mm (1/16 po).
3. Baisser le levier de verrouillage afin de bloquer de nouveau l'organe de coupe.

**REMARQUE :** ne jamais tenter de régler la hauteur du chariot lorsque le levier de verrouillage est engagé, ce qui pourrait endommager l'outil.

### REGLAGE DE PRÉCISION

La manivelle de réglage permet un réglage d'une précision allant de 1,6 mm (1/16 po) à 0,4 mm (1/64 po). Le réglage de précision est idéal pour « raser » une mince pellicule sur la surface d'un ouvrage. Par exemple, si une pièce d'une épaisseur de 77,8 mm (3 1/16 po) doit être réduite à 76,2 mm (3 po), on doit régler la raboteuse de la façon suivante :

FIG. 8

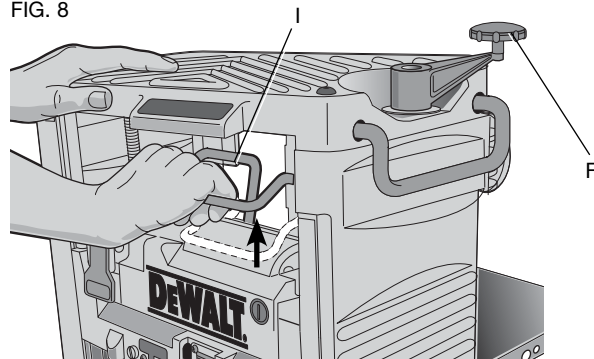


FIG. 9

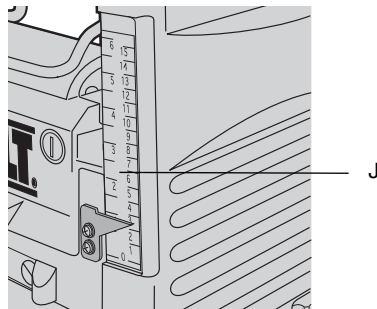


FIG. 10

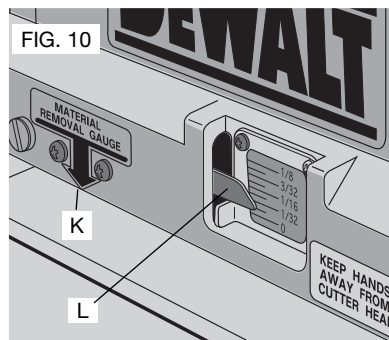
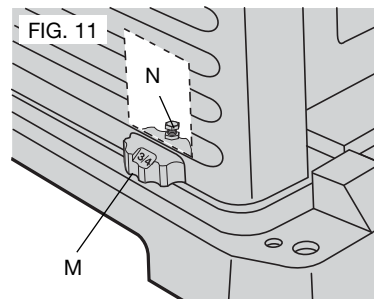


FIG. 11



1. Raboter puis mesurer la pièce à travailler; dans cet exemple, l'épaisseur finale est de 77,8 mm (3 1/16 po).
2. Tourner l'étiquette ronde de la manivelle de réglage de la profondeur jusqu'à ce que la marque « 0 » soit alignée avec la flèche située sur le dessus de l'outil (ne pas effectuer d'autres réglages).
3. Tourner la manivelle de réglage vers la droite, jusqu'à ce que la marque 1,6 mm (1/16 po) soit alignée avec la flèche.
4. Raboter la pièce. L'épaisseur obtenue sera de 76,2 mm (3 po).

## Indicateur d'épaisseur voulue

La raboteuse est dotée d'un indicateur permettant de déterminer l'épaisseur qu'on obtiendra après un passage en fonction du réglage de la hauteur du chariot.

### UTILISATION DE L'INDICATEUR D'ÉPAISSEUR VOULUE

**⚠ AVERTISSEMENT : NE JAMAIS FAIRE DÉMARRER L'OUTIL LORSQUE L'OUVRAGE EST PLACÉ SOUS LE CHARIOT, CE QUI POURRAIT CAUSER DE GRAVES BLESSURES.**

1. Glisser la pièce, sur environ 76,2 mm (3 po), sous la flèche (K) située au milieu du chariot (fig. 10).
2. La pièce doit reposer bien à plat contre la base de la raboteuse; si elle est le moins inclinée, la lecture risque d'être faussée.
3. Déverrouiller et abaisser le chariot, au moyen de la manivelle, sur la pièce jusqu'à ce que la barre de l'indicateur d'épaisseur voulue s'engage sur la pièce; l'indicateur rouge (L) se déplacera jusqu'à l'indication de l'épaisseur qu'on obtiendra en fonction de la hauteur du chariot.
4. Régler la hauteur du chariot jusqu'à ce que l'épaisseur voulue apparaisse sur l'indicateur.
5. Retirer la pièce de sous le chariot.
6. Bloquer le levier de verrouillage.
7. Démarrer la raboteuse, puis faire avancer la pièce sous l'organe de coupe.

**REMARQUE :** ne pas dépasser la profondeur de coupe recommandée pour chacune des épaisseurs indiquées sur l'indicateur d'épaisseur voulue (tableau A).

## Butée de tourelle

La raboteuse est pourvue d'une butée de tourelle (M, figure 11), laquelle sert à fixer la profondeur de rabotage pour des coupes répétitives. La butée peut être fixée à 0, à 6,4, à 12,7 ou à 19,0 mm (0, 1/4 po, 1/2 po ou 3/4 po). Choisir le réglage « 0 » si la profondeur voulue se situe entre 3,2 et 6,4 mm (1/8 et 1/4 po).

TABLEAU A

MATERIAL REMOVAL GAUGE	
1/8	3/32
1/16	1/32
0	0
DEPTH OF CUT	
3" 6" 9" 13"	
WIDTH	

## RÉGLAGE DE LA BUTÉE DE TOURELLE

1. S'assurer que le chariot soit réglé à plus de 31,8 mm (1 1/4 po) avant d'utiliser la butée.
2. Tourner la butée jusqu'à ce que la mesure voulue soit indiquée (fig. 11).
3. Débloquer le levier de verrouillage (fig. 8); tourner la manivelle de réglage de la profondeur, ce qui fera baisser le chariot, jusqu'à ce que dernier entre en contact avec la butée.

**REMARQUE** : NE PAS EXERCER DE PRESSION SUR LA MANIVELLE, CE QUI POURRAIT FAIRE BAISSER LE CHARIOT EN-DESSOUS DU NIVEAU INDIQUÉ PAR LA BUTÉE; CELA POURRAIT ENDOMMAGER DE FAÇON PERMANENTE LE SYSTÈME DE RÉGLAGE DE LA HAUTEUR DE L'OUTIL.

**REMARQUE** : on peut choisir la mesure 19,0 mm (3/4 po) pour obtenir d'autres épaisseurs; cela n'affectera pas les autres réglages de la butée.

## RÉGLAGE DE LA BUTÉE À LA POSITION 19,0 MM (3/4 PO) POUR D'AUTRES ÉPESSEURS

1. Débloquer le levier de verrouillage (figure 8) puis tourner la manivelle de réglage vers la gauche afin d'élever l'organe de coupe.
2. Un écrou de réglage (N, fig. 11), situé à l'arrière de l'outil, est réglé en usine à une profondeur de 19,0 mm (3/4 po); desserrer le contre-écrou au moyen de la clé à molette Crescent fournie, puis le régler, vers le haut ou vers le bas, de manière à obtenir la profondeur de rabotage voulue.
3. Tourner la manivelle de réglage de la profondeur ce qui fera baisser le chariot, jusqu'à ce que dernier entre en contact avec la butée.

## TECHNIQUES DE RABOTAGE DE BASE

### Technique à privilégier

**AVERTISSEMENT** : NE JAMAIS DÉMARRER L'OUTIL LORSQUE L'OUVRAGE EST DÉJÀ INSÉRÉ SOUS LE CHARIOT; ATTENDRE QUE LES ROULEAUX ET L'ORGANE DE COUPE SE SOIENT COMPLÈTEMENT IMMOBILISÉS AVANT D'INSÉRER UNE PIÈCE À TRAVAILLER.

### RABOTER UN OUVRAGE

La raboteuse donne de meilleurs résultats lorsqu'on l'utilise pour travailler une pièce ayant au moins une surface plane. Si les deux côtés de la pièce sont irréguliers, on peut utiliser une varlope pour lisser un des côtés.

L'ouvrage doit être bien supporté pendant la coupe. La profondeur maximale pouvant être obtenue en un passage est 3,2 mm (1/8 po) pour une pièce d'une largeur de moins de 152 mm (6 po). On ne doit pas tenter de modifier la raboteuse dans le but d'obtenir une coupe plus profonde; pour obtenir de bons résultats, les recommandations relatives à la profondeur et à la largeur données au tableau A doivent être suivies.

FIG. 12

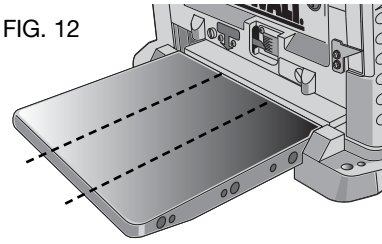


FIG. 13



FIG. 14

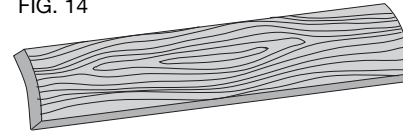


FIG. 15

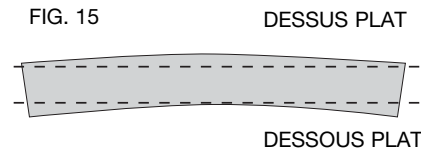
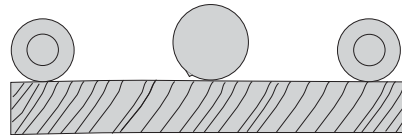
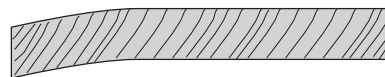


FIG. 16

LA PLANCHE DE BOIS BOMBÉE SERA APLATIE PAR LES ROULEAUX D'ALIMENTATION ET LE PORTE-COUTEAUX...



...MAIS LA CAMBRURE RÉAPPARAÎT APRÈS LE RABOTAGE DE LA PLANCHE



1. Abaisser le chariot à la hauteur voulue pour le premier passage de la raboteuse.
2. Faire démarrer l'outil et insérer l'ouvrage dans les rouleaux d'entraînement.
3. Examiner la coupe obtenue et régler le chariot à la hauteur appropriée pour le passage suivant.

Se reporter au guide de dépannage, à la fin des présentes, pour en savoir davantage.

**AVERTISSEMENT** : ne jamais se placer entre l'ouvrage et une structure immobile lorsque la pièce travaillée ressort de sous la raboteuse; cela pourrait causer des blessures ou l'endommagement de l'ouvrage.

**AVERTISSEMENT** : cet outil a été conçu pour raboter le bois seulement. Ne pas tenter de raboter des matériaux autres que le bois.

**AVERTISSEMENT** : ne jamais raboter des morceaux de bois de longueur inférieure à 304,8 mm (12 po).

**AVERTISSEMENT** : ne raboter que des pièces de bois libres de tout corps étranger, ne présentant aucun nœud sautant et le moins de nœuds adhérents que possible; ne pas raboter des pièces de bois gauchies, tordues, noueuses ou courbées.

**AVERTISSEMENT** : ne pas alimenter le bois contre le grain, l'alimenter systématiquement dans la direction du grain.

**REMARQUE** : pour s'assurer des meilleurs résultats, raboter les deux côtés de la pièce jusqu'à ce que l'épaisseur voulue soit obtenue. Par exemple, si on veut enlever 3,2 mm (1/8 po) d'épaisseur à une planche, il est préférable de retirer 1,6 mm (1/16 po) de chaque côté et ce, non seulement par ce que cela favorise un séchage plus uniforme, mais aussi parce que cela permet d'obtenir une coupe plus exacte.

**REMARQUE** : on doit toujours raboter dans le sens naturel du grain; le rabotage de pièces d'une épaisseur de moins de 19,0 mm (3/4 po) n'est pas recommandé; si on doit raboter des pièces plus étroites, on doit les regrouper ensemble et les raboter simultanément (lorsque cela est possible).

### LARGEUR, HAUTEUR ET PROFONDEUR MINIMALES/MAXIMALES

**REMARQUE** : une certaine zone du chariot permet de raboter à une profondeur de 3,2 mm (1/8 po) les pièces d'une largeur de moins de 152 mm (6 po); la figure 12 illustre l'emplacement de cette zone. La pièce doit suivre cette zone, sans quoi la raboteuse refusera d'effectuer la coupe. Les pièces de plus de 152 mm (6 po) ne pourront pas être insérées dans cette zone.

### Dépressions

Des dépressions se produisent lorsqu'une extrémité non soutenue d'un ouvrage se courbe vers le bas et pousse l'autre extrémité, passant dans l'organe de coupe, vers le haut. En conséquence, lorsqu'on rabote des pièces très longues, on doit s'assurer que celles-ci soient bien supportées.

## COMMENT ÉVITER LES DÉPRESSIONS

S'assurer que l'ouvrage inséré dans la raboteuse soit de niveau et qu'il reste bien à plat contre la base pendant toute la coupe. La pièce doit être bien supportée, même lorsqu'elle ressort à l'arrière de la raboteuse.

**⚠AVERTISSEMENT** : ne jamais se placer entre l'ouvrage et une structure immobile lorsque la pièce travaillée ressort de sous la raboteuse; cela pourrait causer des blessures ou l'endommagement de l'ouvrage.

## Pièces de bois tordues, concaves ou courbées

Si les deux côtés de la pièce à travailler sont très irréguliers, ou si la pièce est concave, courbée ou tordue, la raboteuse risque de ne pas procurer les résultats escomptés. Idéalement, il est préférable d'avoir une pièce présentant au moins une surface ou un côté uniforme. La raboteuse donnera de meilleurs résultats si la pièce est d'abord égalisée au moyen d'une varlope. Si aucun des côtés d'une pièce n'est égal, on doit suivre les recommandations ci-dessous :

### RABOTAGE DE PIÈCES TORDUES (FIG.13)

**⚠AVERTISSEMENT** : LE BOIS TORDU RISQUE DE RESTER COINCÉ DANS LA RABOTEUSE; LE CAS ÉCHÉANT, ARRÊTER LE MOTEUR DE L'OUTIL, DÉBRANCHER CE DERNIER DE LA SOURCE D'ALIMENTATION PUIS SOULEVER LE CHARIOT AFIN DE LIBÉRER LA PIÈCE DE L'ORGANE DE COUPE.

#### Rabotage d'une pièce légèrement tordue :

Raboter la pièce en alternant d'un côté à l'autre, jusqu'à l'obtention de l'épaisseur voulue.

### RABOTAGE DE PIÈCES CONCAVES (FIG. 14)

Pour obtenir les meilleurs résultats possibles avec une pièce de bois concave :

Couper la pièce en deux, sur sa longueur, et raboter séparément chacune des deux pièces.

**REMARQUE** : le fait de sectionner la pièce en deux réduit l'ampleur de la concavité et permet à la raboteuse de donner de meilleurs résultats; toutefois, une plus grande quantité de bois devra être retirée de la pièce, par rapport à une planche droite, avant d'obtenir l'épaisseur voulue.

#### S'il n'est pas possible de couper la pièce en deux :

Raboter d'abord un côté de la pièce jusqu'à ce qu'il soit plat, puis faire de même de l'autre côté (fig.15).

**REMARQUE** : dans ce cas-ci, on ne doit pas alterner d'un côté à l'autre, comme il est recommandé dans les techniques de base.

### RABOTAGE DE PIÈCES COURBÉES (FIG. 16)

Avec de telles pièces, les rouleaux d'entraînement et l'organe de coupe de la raboteuse écrasent la courbure à mesure que la pièce est acheminée dans l'outil. Mais une fois ressortie, la pression exercée par les rouleaux et l'organe de coupe étant relâchée, la pièce retrouve sa courbure. On doit donc utiliser une varlope pour éliminer cette déformation.

## Remplacement des lames

**⚠AVERTISSEMENT** : Pour réduire tout risque de dommages corporels graves, arrêter et débrancher l'outil avant tout réglage ou avant de retirer ou installer toute pièce ou tout accessoire.

Votre raboteuse est équipée d'un organe de coupe à trois lames à double tranchant. Ces lames peuvent être inversées une fois puis changées si besoin.

### CHANGER LES LAMES QUAND :

- elles sont émoussées : cela pourrait causer des problèmes d'alimentation;
- l'alimentation est lente ou défectueuse;
- le moteur est en surcharge indiquant que les lames sont émoussées, ce qui pourra faire disjoncter fréquemment le circuit électrique;
- le bois raboté est excessivement déchiré;
- elles sont ébréchées : les lames peuvent s'ébrécher lorsqu'on rabote des bois nouveaux ou lorsque des objets étrangers n'ont pas été retirés du bois avant le rabotage.

### REMPACEMENT DES LAMES

1. Retirer le plateau à outils au moyen de la clé en T afin d'avoir accès à l'organe de coupe. Si les huit boulons situés dans la bride de retenue des lames NE SONT PAS visibles, utiliser une retaille de bois pour tourner délicatement l'organe de coupe jusqu'à ce que les boulons soient accessibles et que le levier de verrouillage de l'organe de coupe s'enclenche (O, fig. 21), ce qui empêchera l'organe de coupe de bouger pendant le remplacement des lames (fig. 17).

Si les boulons sont visibles, s'assurer que le levier de verrouillage soit enclenché afin d'empêcher le mouvement de l'organe de coupe. Pour ce faire, utiliser une retaille de bois pour tourner l'organe de coupe; le levier émettra un « clic » pour indiquer qu'il s'est enclenché, si ce n'était déjà fait.

**⚠AVERTISSEMENT** : GARDER LES DOIGTS ÉLOIGNÉS DE L'ORGANE DE COUPE EN TOUT TEMPS; UTILISER L'OUTIL FOURNI POUR MANIPULER LES LAMES.

2. Retirer les boulons de la bride de retenue.
3. Utiliser les aimants situés sur le haut de la clé en T pour attirer la bride de retenue et pour retirer chacune des lames hors de l'organe de coupe (fig. 18). Une des lames devrait être exposée.
4. Utiliser l'aimant de la clé en T pour attirer et soulever la lame. ÉVITER DE TOUCHER LES LAMES AVEC LES DOIGTS; les lames de la raboteuses sont aiguisées des deux côtés.

#### Si un seul des tranchants d'une lame est usé :

1. Retourner la lame de manière à ce que le tranchant non utilisé soit orienté vers le bord de l'organe de coupe où les pièces sont rabotées; s'assurer de placer les trous ovales de la lame au-dessus des tiges ajustées de l'organe de coupe (fig. 19).

FIG. 17

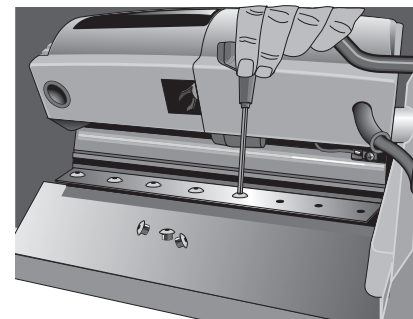


FIG. 18

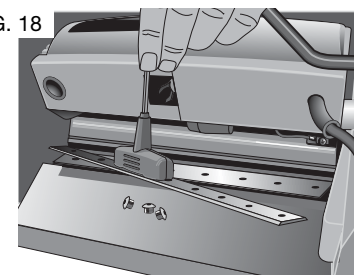


FIG. 19

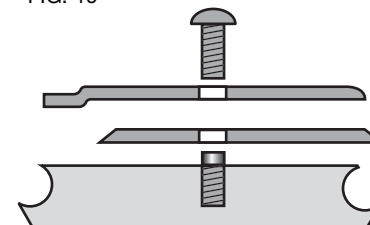


FIG. 20

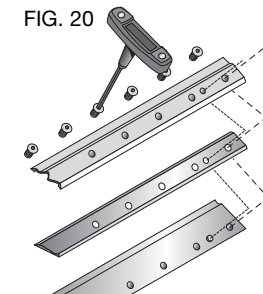
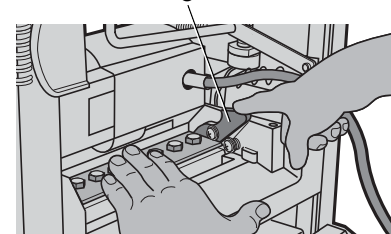
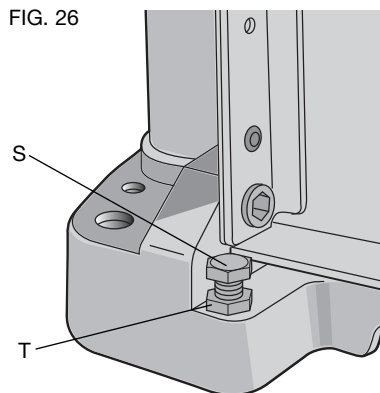
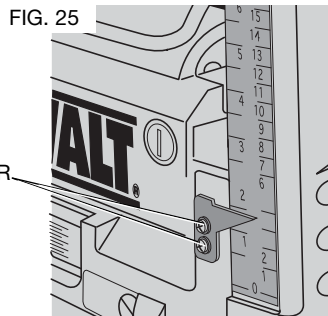
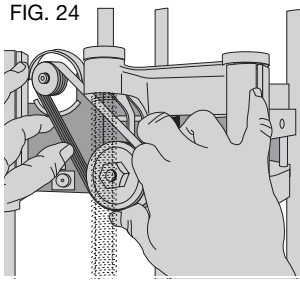
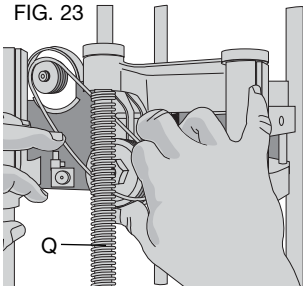
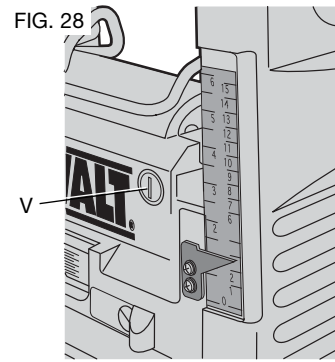
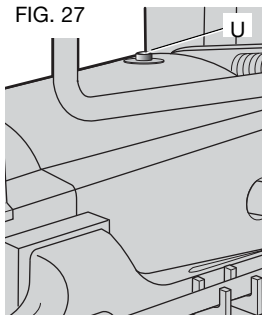
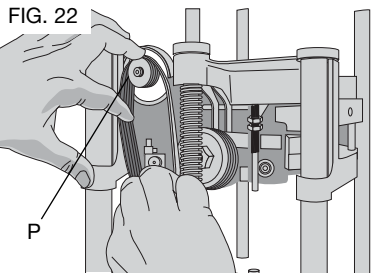


FIG. 21







- Nettoyez sa base. L'enduire légèrement de cire facilitera le passage du bois dans la raboteuse.
- Vérifiez l'affûtage des lames. Changez-les le cas échéant.
- Vérifiez l'étalement : l'étalement de la jauge d'épaisseur et de celle de la butée de tourelle.
- Vérifiez l'usure des balais et remplacez-les si besoin.

### Installation d'une nouvelle courroie

**REMARQUE :** l'installation de la courroie ne requiert aucun outil; l'usage d'un tournevis ou de tout autre outil pourrait endommager les poulies, ce qui risquerait de détruire la nouvelle courroie.

**⚠AVERTISSEMENT : METTRE LA RABOTEUSE HORS TENSION ET LA DÉBRANCHER DE SA SOURCE D'ALIMENTATION.**

- Retirer la manivelle.
- Retirer les deux vis creuses à six pans (hex) situées sur le côté supérieur droit de la raboteuse.
- Retirer les deux petites vis à tête cruciforme retenant les panneaux latéraux sur le dessus de la raboteuse.
- Soulever le couvercle de manière à le retirer de la fente de la base, et l'enlever complètement. La surface interne de la courroie est rainurée.
- Commencer par faire passer la courroie sur la poulie supérieure (P), en y accrochant trois rainures (fig. 22).
- Guider la courroie entre la poulie inférieure et la vis de réglage de hauteur (Q, fig. 23).
- En s'assurant que trois des rainures soient enclenchées sur la grande poulie, faire tourner cette dernière vers la droite. Appuyer légèrement sur le bord de la courroie afin de s'assurer que les rainures s'accrochent à la petite poulie.
- Continuer d'appuyer sur le côté de la courroie et faire tourner la grande poulie afin que la courroie s'engage complètement sur les autres poulies (fig. 24).
- Toutes les rainures de la courroie devraient alors être enclenchées, et les poulies devraient tourner aisément.
- Replacer le couvercle latéral et les vis; ne pas trop serrer les vis auto-taraudeuses.

### Étalement de l'échelle de réglage de la profondeur

L'échelle de réglage de la profondeur est étalement en usine. Toutefois, après une utilisation prolongée, il est possible qu'elle donne des mesures inexactes.

#### VÉRIFICATION DE L'ÉCHELLE DE RÉGLAGE DE LA PROFONDEUR

- Raboter une pièce de bois en prenant note de la mesure indiquée sur l'échelle de réglage de la profondeur.
- Mesurer l'épaisseur finale de la pièce rabotée.
- Si l'épaisseur de la pièce ne correspond pas à la mesure affichée sur l'échelle, desserrer les deux vis à tête cruciforme (R, fig. 25).
- Déplacer le pointeur vers le haut ou vers le bas jusqu'à ce qu'il corresponde à la mesure réelle de la pièce rabotée. Resserrer les vis.

- Replacer la bride de retenue en alignant le bord biseauté avec le tranchant de la lame (fig. 20), sans quoi la bride ne retiendra pas la lame correctement.
- Placer les boulons dans les trous de la bride de retenue, de la lame et de l'organe de coupe.
- Serrer les boulons de façon appropriée.

#### Accéder aux autres lames pour le remplacer :

- Relâcher le levier de verrouillage de l'organe de coupe (O, fig. 21).
- Au moyen d'une retaille de bois, tourner délicatement l'organe de coupe jusqu'à ce qu'il se bloque et révèle une autre bride de retenue retenant une autre lame usée.
- Reprendre les étapes décrites précédemment.

#### Si les deux tranchants d'une lame sont usés :

- Suivre la même méthode de remplacement que décrite précédemment, MAIS CETTE FOIS, jeter la lame usée et en installer une nouvelle dans l'organe de coupe. Les lames ne peuvent pas être affûtées.
- Reprendre les étapes décrites précédemment pour remplacer les autres lames.

#### Après avoir remplacé ou inversé les lames :

- Replacer le plateau sur l'outil.
- Serrer les vis du plateau.

**REMARQUE :** LA RABOTEUSE NE FONCTIONNERA PAS SI LE PLATEAU N'EST PAS INSTALLÉ CORRECTEMENT.

## ENTRETIEN

### Maintenance périodique

**⚠AVERTISSEMENT :** pour réduire tout risque de dommages corporels graves, arrêter et débrancher l'outil du secteur avant tout réglage ou avant de retirer ou installer toute pièce ou tout accessoire.

- Vérifiez régulièrement que l'outil ne comporte aucun dommage ni pièces brisées.
- Éliminez poussières et débris que la raboteuse aura pu collecter dans ses parties accessibles lors du rabotage du bois.
- Nettoyez les rouleaux d'entraînement et de sortie

## Mise à niveau des rallonges de plateau

Après une utilisation prolongée, il est possible que les rallonges de plateau deviennent légèrement décalées. Vérifier le niveau des rallonges au moyen d'une règle droite; celle-ci devrait être en contact avec le bord des rallonges et du plateau principal (fig. 7). Pendant cette vérification, appuyer sur le bord des rallonges de manière à éliminer tout jeu. Pour assurer la précision de la mise à niveau, utiliser une règle suffisamment longue pour atteindre l'extrémité des deux rallonges.

Si les rallonges ne sont pas de niveau, desserrer les contre-écrous (T) et déplacer les boulons de support de rallonge (S) vers le haut ou vers le bas (fig. 26).

**REMARQUE :** les côtés externes de ces rallonges doivent être de niveau avec la base de l'outil, tandis que les côtés internes (ceux les plus rapprochés de l'organe de coupe) doivent dépasser sous la base. Ces positions sont réglées en usine afin d'éviter la friction inutile de l'ouvrage contre le plateau, tout en procurant un soutien adéquat en deux points (soit ceux les plus éloignés des lames) sur le plateau, de manière à éviter de produire une dépression dans l'ouvrage.

### PLATEAU

Garder le plateau propre, et libre de toute trace d'huile, de graisse ou de résidu quelconque. Traiter le plateau au moyen de cire en pâte afin qu'il conserve son fini lisse.

## Bouton de réenclenchement du disjoncteur (Fig. 27)

La raboteuse est dotée d'un disjoncteur de 18 A; si elle surchauffe et s'arrête, on doit la mettre hors tension, la laisser reposer pendant 2 minutes puis appuyer sur le bouton de réenclenchement (U) avant de la réutiliser.

**⚠ AVERTISSEMENT :** afin d'éviter les démarrages accidentels après une coupure de courant, mettre l'interrupteur en position d'ARR T avant de rétablir le courant.

**REMARQUE :** les déclenchements du disjoncteur sont souvent causées par l'usure des lames. Celles-ci doivent être remplacées régulièrement afin d'éviter ce genre d'interruption. Les lames doivent être vérifiées avant de réenclencher le disjoncteur et de reprendre le travail.

Se reporter au guide de dépannage, à la fin des présentes, pour en savoir davantage.

### Balais

On doit inspecter régulièrement les balais de charbon. Maintenir ces derniers propres afin qu'ils puissent glisser librement dans leurs guides. Lorsqu'on remplace un balai, on doit prendre soin d'installer le nouveau dans le même sens. Divers symboles apparaissent sur les côtés de chaque balai; on doit remplacer les balais lorsque l'usure atteint la ligne la plus près du ressort. N'utiliser que des balais DEWALT identiques.

Les balais de rechange sont offerts aux centres de service DEWALT. Après un remplacement, laisser l'outil marcher à vide pendant 10 minutes avant de l'utiliser afin de s'assurer que les nouveaux balais soient bien en place.

### RETRAIT D'UN BALAI (FIG. 28)

**⚠ AVERTISSEMENT :** Pour réduire tout risque de dommages corporels graves, arrêter et débrancher l'outil avant tout réglage ou avant de retirer ou installer toute pièce ou tout accessoire.

1. Retirer le capuchon d'inspection des balais (V).
2. Retirer le balai.

### Nettoyage et lubrification

**⚠ ATTENTION :** Ne jamais laisser de liquide s'infiltrer à l'intérieur de l'outil; ne jamais immerger ce dernier dans quelque liquide que ce soit; cela pourrait causer des chocs électriques.

**⚠ ATTENTION :** ne jamais nettoyer les parties non métalliques de l'outil au moyen de solvants ou de produits semblables; n'utiliser qu'un chiffon propre et sec.

On recommande, une fois par année, d'apporter l'outil à un centre de service DEWALT autorisé afin de le faire nettoyer et inspecter et de faire lubrifier le carter d'engrenages.

### Accessoires

Les trois accessoires suivants sont conçus pour la raboteuse DW734 :

- DW7331 – capuche anti-poussière pour le modèle DW734 (convient aussi au modèle DW733)
- DW7342 – lames de raboteuse réversibles et jetables de 317.5 mm (12 1/2 po)
- DW7350 – support mobile

**⚠ ATTENTION :** l'utilisation d'accessoires autres que ceux recommandés pourrait présenter un danger.

Pour savoir où obtenir ces accessoires, s'adresser à DEWALT Industrial Tool Co., 701 East Joppa Road, Baltimore, MD 21286 (aux États-Unis), ou composer le 1 800 4-DEWALT (1 800 433-9258).

### Réparation

Pour assurer la SÉCURITÉ et la FIABILITÉ de ce produit, toutes les opérations de réparation, d'entretien et de réglage doivent être effectuées dans un centre de service autorisé ou par du personnel qualifié; n'utiliser que des pièces de rechange identiques.

### Garantie limitée de trois ans

DEWALT réparera, sans frais, tout produit défectueux causé par un défaut de matériel ou de fabrication pour une période de trois ans à compter de la date d'achat. La présente garantie ne couvre pas les pièces dont la défectuosité a été causée par une usure normale ou l'usage abusif de l'outil. Pour obtenir de plus amples renseignements sur les pièces ou les réparations couvertes par la présente garantie, visiter le site [www.dewalt.com](http://www.dewalt.com) ou composer le 1 800 433-9258 (1 800 4-DEWALT). Cette garantie ne s'applique pas aux accessoires et ne vise pas les dommages causés par des

réparations effectuées par un tiers. Cette garantie confère des droits légaux particuliers à l'acheteur, mais celui-ci pourrait aussi bénéficier d'autres droits variant d'un état ou d'une province à l'autre.

En plus de la présente garantie, les outils DEWALT sont couverts par notre :

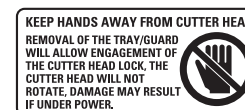
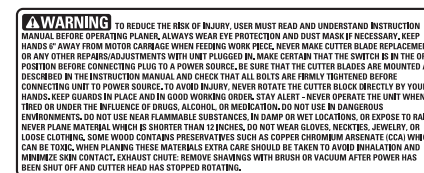
### CONTRAT D'ENTRETIEN GRATUIT D'UN AN

DEWALT entretiendra l'outil et remplacera les pièces usées au cours d'une utilisation normale et ce, gratuitement, pendant une période d'un an à compter de la date d'achat, et la

### GARANTIE DE REMBOURSEMENT DE 90 JOURS

Si l'acheteur n'est pas entièrement satisfait, pour quelque raison que ce soit, du rendement de l'outil électrique, du laser ou de la cloueuse DEWALT, celui-ci peut le retourner, accompagné d'un reçu, dans les 90 jours à compter de la date d'achat, pour obtenir un remboursement intégral, sans aucun problème.

**REPLACEMENT GRATUIT D'ÉTIQUETTES D'AVERTISSEMENT :** en cas de perte ou d'endommagement des étiquettes d'avertissement, composer le 1 800 433-9258 (1 800 4-DEWALT) afin d'en obtenir de nouvelles sans frais.



## Guide de dépannage

### SI L'ALIMENTATION DU MATÉRIAU EST DIFFICILE, VÉRIFIER :

- Couteaux émoussés : inverser ou remplacer le cas échéant. Se reporter à la section *Remplacement des lames*.
- Colmatage excessif au niveau de la hotte à poussière. Se reporter au paragraphe **Installation de la hotte à poussière** sous la section *Assemblage*.
- Huile/débris/résine excessifs sur les rouleaux d'entraînement. Se reporter aux paragraphes **Maintenance périodique et Nettoyage et lubrification** sous la section *Entretien*.
- Matériau excessivement tordu, concave, ou courbé. Se reporter au paragraphe **Pièces de bois tordues, concaves ou courbées** sous la section *Technique de rabotage de base*.
- Courroie de transmission rompue. Se reporter au paragraphe **Installation d'une nouvelle courroie** sous la section *Entretien*.
- Lames émoussées. Se reporter à la section *Remplacement des lames*.

### SI LE DISJONCTEUR DISJONCTE CONSTAMMENT :

- Lames émoussées : les lames émoussées peuvent causer la surcharge du moteur, les inverser ou les remplacer le cas échéant. Se reporter à la section *Remplacement des lames*.  
**REMARQUE** : les surcharges de disjoncteur sont souvent causées par des lames émoussées. Si le disjoncteur de votre raboteuse saute, vérifiez l'affûtage des lames avant de réarmer le circuit pour continuer le rabotage.
- Réduire la profondeur de coupe : une coupe trop agressive pourra causer la surcharge du moteur. Se reporter au paragraphe **Réglage de la profondeur** sous la section *Fonctionnement*.

### SI L'APPAREIL REFUSE DE FONCTIONNER, VÉRIFIER :

- Si l'appareil est bien branché. Veiller à ce que l'appareil soit branché dans une prise appropriée. Se reporter à la section *Consignes de sécurité générales pour tous les outils*.
- Si le plateau à outils est correctement installé. Se reporter à la Figure 1 pour l'installer correctement.
- Si le disjoncteur doit être réarmé, se reporter au paragraphe **Bouton de réenclenchement du disjoncteur** sous la section *Entretien*.
- Si les balais moteur sont usés, les remplacer le cas échéant. Se reporter au paragraphe **Balais** sous la section *Entretien*.

## Definiciones: Normas de seguridad

Las siguientes definiciones describen el nivel de gravedad de cada advertencia. Lea el manual y preste atención a estos símbolos.

▲ **PELIGRO:** indica una situación de peligro inminente que, si no se evita, **provocará la muerte o lesiones graves.**

▲ **ADVERTENCIA:** Indica una situación de peligro potencial que, si no se evita, **podría provocar la muerte o lesiones graves**

▲ **ATENCIÓN:** Indica una situación de peligro potencial que, si no se evita, **puede provocar lesiones leves o moderadas.**

▲ **AVISO:** Se refiere a una práctica **no relacionada a lesiones corporales** que de no evitarse **puede resultar en daños a la propiedad.**

SI TIENE ALGUNA PREGUNTA O DESEA HACER ALGÚN COMENTARIO SOBRE ESTA O CUALQUIER OTRA HERRAMIENTA DEWALT, MARQUE EL NÚMERO SIN COSTO:

1-800-4-DEWALT (1-800-433-9258)

## CONSERVE ESTAS INSTRUCCIONES

### Instrucciones de seguridad importantes para todas las herramientas

▲ **ADVERTENCIA:** Por su propia seguridad, lea el manual de instrucciones antes de usar la cepilladora. No respetar estas advertencias puede ser causa de lesiones personales y graves daños a la cepilladora. Al proceder al mantenimiento de esta herramienta, utilice únicamente refacciones idénticas. Haga sustituir los cables de corriente dañados en un centro de servicio autorizado.

#### INSTRUCCIONES DE CONEXIÓN A TIERRA

En caso de mal funcionamiento o ruptura, la tierra proporciona un camino de menor resistencia para la corriente eléctrica para reducir los riesgos de un choque eléctrico. Esta herramienta está equipada con un cable eléctrico equipado con un conductor a tierra y una pata en la clavija para conexión a tierra. La clavija debe conectarse a una toma que concuerde y que esté instalada y aterrizada apropiadamente de acuerdo con todos los códigos y regulaciones locales. No modifique la clavija si no se acopla a la toma de corriente, haga que un electricista calificado le instale una toa de corriente apropiada.

La conexión impropia del equipo/conductor a tierra puede originar riesgos de choque eléctrico. El conductor con aislamiento verde con o sin franjas amarillas es el de conexión a tierra. Si se requiere reparar o reemplazar el cable, no conecte el conductor de conexión a tierra a una terminal viva.

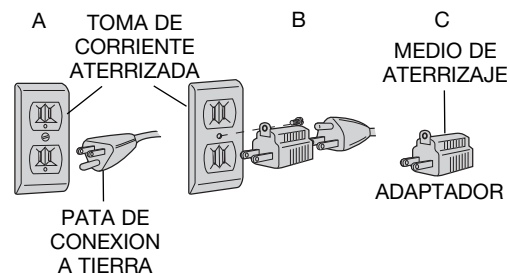
Verifique con un electricista calificado si no comprende bien las instrucciones de aterrizaje, o si tiene dudas acerca del correcto aterrizaje de la herramienta.

Utilice únicamente extensiones de tres hilos que tengan clavijas con 3 patas y tomas de corriente de tres polos que acepten la clavija de la herramienta.

#### REPARE O REEMPLACE LOS CABLES DAÑADOS O DESGASTADOS INMEDIATAMENTE.

Esta herramienta está diseñada para usarse en un circuito con una toma que se mira como la ilustrada en la figura A. La herramienta tiene una clavija para conexión a tierra como la que se muestra en la figura A. Se puede usar un adaptador temporal, que se ve como el que se ilustra en las figuras B y C, para conectar esta clavija a una toma de corriente de 2 polos, como la ilustrada en la figura B, si no se cuenta con una toma de corriente aterrizada. El adaptador temporal debe usarse nicamente hasta que se instale una toma de corriente aterrizada. La lengüeta rígida de color verde, que se extiende del adaptador debe conectarse a tierra permanente, como a la caja de una toma de corriente aterrizada apropiadamente.

El adaptador (C) no debe usarse en Canadá.



▲ **ADVERTENCIA:** Al usar las herramientas eléctricas, se deben seguir siempre las medidas de seguridad básicas para reducir el riesgo de incendio, de choque eléctrico y de lesiones corporales, incluyendo las siguientes:

### Instrucciones de seguridad generales

- **MANTENGA LAS GUARDAS EN SU SITIO** y en buenas condiciones de funcionamiento.
- **QUITE LAS LLAVES DE AJUSTE Y LAS LLAVES DE TUERCAS.** Forme el hábito de comprobar que las llaves de ajuste estén fuera de la herramienta antes de encenderla.
- **MANTENGA LIMPIA EL ÁREA DE TRABAJO.** Las áreas y mesas de trabajo desordenadas aumentan el riesgo de lesiones.
- **NO UTILICE LA HERRAMIENTA EN ENTORNOS PELIGROSOS.** No utilice herramientas eléctricas en ambientes húmedos o mojados, ni las exponga a la lluvia. Mantenga el área de trabajo bien iluminada. Opere siempre la herramienta en un área bien ventilada, que no contenga materiales combustibles, gasolina o vapores de disolventes. Si las chispas llegan a tener contacto con los vapores inflamables, esto puede causar un incendio o una explosión.
- **MANTENGA ALEJADOS A LOS NIÑOS.** Todos los visitantes deben de mantenerse a una distancia segura del área de trabajo.
- **QUE SU TALLER SEA A PRUEBA DE NIÑOS.** Para ello utilice candados o interruptores maestros, o quite las llaves de encendido.
- **NO FUERCE LA HERRAMIENTA.** La herramienta hace el trabajo mejor y más seguro dentro del rango para el que ha sido diseñada.
- **UTILICE LA HERRAMIENTA ADECUADA.** No fuerce la herramienta o los aditamentos para hacer un trabajo para el cual no hayan sido diseñados.
- **USE LAS EXTENSIONES ADECUADAS.** Cerciórese de que su extensión esté en buenas condiciones. Al usar una extensión, asegúrese de que sea lo bastante resistente para llevar la corriente que su producto requerirá. Una extensión de calibre insuficiente causará una caída en la línea de voltaje dando por resultado sobrecalentamiento y pérdida de potencia. La tabla siguiente muestra el tamaño correcto para utilizar, dependiendo de la longitud de la extensión y del amperaje de la placa de identificación. En caso de duda, utilice el de mayor calibre. Cuanto más pequeño es el número del calibre, más resistente es la extensión. Si emplea una herramienta eléctrica en el exterior, use un cable de extensión marcado "W-A" o "W". Estos cables están diseñados para la intemperie y reducen el peligro de choque eléctrico.

		Calibre mínimo para cables de alimentación			
		Voltios	Largo total del cordón en metros (pies)		
Amperaje		120 V	15,2 (50)	30,5 (100)	45,7 (150)
		240 V	15,2 (50)	30,5 (100)	61,0 (200) 91,4 (300)
Más de	No más de	AWG			
0	6	18	16	16	14
6	10	18	16	14	12
10	12	16	16	14	12
12	16	14	12	No recomendado	

- **USE ROPA ADECUADA.** No lleve ropas sueltas, guantes, corbatas, anillos, brazaletes ni otras joyas que puedan engancharse en las piezas móviles. Se recomienda el uso de zapatos antideslizantes. Use una cofia para contener el pelo largo. Los orificios de ventilación suelen cubrir piezas en movimiento, por lo que también se deben evitar.
- **USE SIEMPRE LENTES DE SEGURIDAD.** Utilice también careta o mascarilla si en la operación se produce polvo. Los anteojos de uso diario sólo tienen lentes resistentes a golpes, no son anteojos de seguridad.
- **EL FUNCIONAMIENTO DE LA HERRAMIENTA PUEDE DESPEDIR RESTOS, MATERIAL DE UNIÓN O POLVO, QUE PODRÍAN DAÑAR LOS OJOS DEL OPERADOR.** El operador y todas las personas que estén en el área de trabajo deben usar lentes de seguridad con guardas laterales no removibles. Los lentes de seguridad aprobados llevan impresos los caracteres "Z87.1". Es responsabilidad del empleador asegurarse de que tanto el operador de la herramienta como las personas situadas en el área de trabajo utilicen equipos de protección ocular.
- **TRABAJE CON SEGURIDAD.** Utilice abrazaderas o tornillos para sujetar las piezas en las que trabaja, cuando esto sea posible. Es más seguro, y así podrá utilizar ambas manos para operar la herramienta.
- **NO PONGA EN PELIGRO SU ESTABILIDAD.** Manténgase siempre bien apoyado y equilibrado.
- **CUIDE LAS HERRAMIENTAS.** Mantenga las herramientas afiladas y limpias para un funcionamiento mejor y más seguro. Siga las instrucciones para lubricar y cambiar piezas.
- **DESCONECTE LAS HERRAMIENTAS** antes de darles servicio y al cambiar accesorios tales como cuchillas, brocas, cortadoras y similares.
- **REDUZCA EL RIESGO DE PUESTAS EN MARCHA ACCIDENTALES.** Asegúrese de que el interruptor esté apagado antes de conectar el enchufe.
- **UTILICE LOS ACCESORIOS RECOMENDADOS.** Consulte el manual de instrucciones para conocer los accesorios recomendados. El uso de accesorios inadecuados puede conllevar riesgo de lesiones a las personas.
- **NUNCA SE PARE SOBRE LA HERRAMIENTA.** Podría sufrir graves lesiones si se inclina la herramienta o si la herramienta de corte se toca sin querer.
- **REVISE LAS PARTES DAÑADAS.** Antes de continuar usando la herramienta, la guarda o cualquier otra pieza dañada se debe revisar cuidadosamente para determinar que funcionará correctamente y realizará la función para la que se han creado; compruebe la alineación y firmeza de las piezas móviles, las piezas rotas, el ensamblaje y cualquier otra condición que pueda afectar su operación. Cualquier guarda o pieza dañada debe repararse o reemplazarse adecuadamente.
- **NUNCA DEJE LA HERRAMIENTA FUNCIONANDO SIN VIGILANCIA. APAGUE LA ALIMENTACIÓN DE CORRIENTE.** No deje la herramienta antes de que se detenga por completo.

### Otras reglas de seguridad específicas para las cepilladoras

- Para reducir el riesgo de lesiones, el usuario debe leer y entender el manual de instrucciones antes de operar la cepilladora.
- Utilice siempre protección para los ojos y una mascarilla antipolvo si fuera necesario.
- Mantenga las manos alejadas de la parte inferior del carro de la cabeza de corte.
- Dirección de la alimentación. Alimente a la cepilladora las piezas en las que trabaja en la dirección de las flechas de alimentación que están en la parte superior de la unidad.
- Nunca limpie obstrucciones, reemplace hojas de corte ni haga ningún otro ajuste o reparación con la unidad conectada a la corriente.
- Cerciórese de que el interruptor esté en posición OFF (apagado) antes de conectar la clavija a una fuente de electricidad.
- Cuide que las cuchillas de corte estén instaladas de la forma descrita en el manual de instrucciones y compruebe que todos los tornillos estén firmemente apretados antes de conectar la unidad a una fuente de electricidad.
- Para evitar lesiones, nunca haga girar el bloque de corte directamente con las manos.

- Conserve las guardas en su sitio y en buen estado de funcionamiento.
- Manténgase alerta: nunca haga funcionar la unidad cuando esté cansado o bajo la influencia de drogas, alcohol o medicamentos.
- No utilice la herramienta en ambientes peligrosos. No utilice la herramienta en ambientes húmedos o mojados, ni la esponja a la lluvia.
- Nunca cepille materiales de un largo inferior a las 304,8 mm (12 pulg.).
- Tolda de escape: quite las virutas con un cepillo o una aspiradora después de que se haya apagado la máquina y la cabeza de corte haya dejado de girar.
- Siempre fije el cepillo a una superficie de trabajo estable mediante los orificios de montaje ubicados en su base. Remítase al párrafo **Montaje sobre la mesa de trabajo.**
- **UBIQUE LA CEPILLADORA SIEMPRE CON UN ESPACIO ADECUADO DEL LADO DE LA SALIDA** de la unidad, para evitar que se aprisione o atasque la pieza de trabajo contra cualquier obstáculo.
- **Limpie su herramienta periódicamente, especialmente después de realizar trabajos pesados.** El polvo y la arena con partículas de metal se acumulan a menudo en las superficies interiores y pueden suponer un riesgo de lesiones graves, choque eléctrico o electrocución. **UTILICE SIEMPRE LENTES DE SEGURIDAD.**

⚠ **ADVERTENCIA:** Por su propia seguridad, se recomienda que dos personas carguen esta máquina, o se podrían ocasionar lesiones graves.

⚠ **ADVERTENCIA:** Utilice una protección auditiva apropiada durante el uso. Bajo algunas condiciones y duraciones de uso, el ruido producido por este producto puede contribuir a la pérdida auditiva.

⚠ **ADVERTENCIA:** Parte del polvo generado al lijar, serrar, esmerilar o taladrar, así como al realizar otras actividades del sector de la construcción, contienen productos químicos que pueden producir cáncer, defectos congénitos u otras afecciones reproductivas. Ejemplos de esas sustancias químicas son:

- plomo procedente de pinturas basadas en plomo.
- óxido de silicio cristalino procedente de ladrillos, cemento y otros productos de mampostería.
- arsénico y cromo procedentes de madera tratada químicamente (CCA).

El peligro derivado de la exposición a estos materiales que usted enfrente varía en función de la frecuencia con que se realice este tipo de trabajo. Para reducir la exposición a esas sustancias químicas: trabaje en una zona bien ventilada y llevando equipos de seguridad aprobados, como mascarillas antipolvo especialmente diseñadas para filtrar partículas microscópicas.

- **Evite el contacto prolongado con el polvo procedente del lijado, serrado, esmerilado y taladrado eléctricos, así como de otras actividades del sector de la construcción. Vista ropas protectoras y lave las áreas de la piel expuestas con agua y jabón.** Si permite que el polvo se introduzca en la boca u ojos o quede sobre la piel, puede favorecer la absorción de productos químicos peligrosos.

⚠ **ADVERTENCIA:** Todas las personas que entren en la zona de trabajo deberán llevar una mascarilla antipolvo o un respirador. El filtro se debe sustituir a diario o cuando quien lo lleve note dificultades para respirar. Vea a su proveedor de equipos local para obtener la mascarilla aprobada por NIOSH/OSHA adecuada.

- La etiqueta de la herramienta puede incluir los siguientes símbolos. A continuación se indican los símbolos y sus definiciones:

V.....voltios	A..... amperios
Hz.....hertz	W..... vatios
min .....minutos	~ ..... corriente alterna
== ...corriente directa	≈ ..... corriente alterna o directa
Ⓜ ..... Construcción Clase I (con conexión a tierra)	n <sub>o</sub> ..... velocidad sin carga

☐.....	Construcción Clase II	⊕.....	terminal a tierra
	(con aislamiento doble)	▲.....	símbolo de
RPM.....	revoluciones o		alerta de
	reciprocidad por		seguridad
	minuto	.../min..	por minuto
BPM.....	golpes por minuto		

## Especificaciones

Entrada.....	120V CA (AC), 15 Amp
Velocidad en vacío.....	10.000 RPM
Velocidad de alimentación.....	7,9 m (26 pies) por minuto
Altura de cepillado.....	Máximo 152,4 mm (6 pulg.) mínimo 3,2 mm (1/8 pulg.)
Ancho de cepillado.....	Máximo 317,5 mm (12-1/2 pulg.)
Profundidad de cepillado.....	Máximo 3,2 mm (1/8 pulg.) (para tablas de 152,4 mm (6 pulg.) de ancho o menos)

## Conexión eléctrica

Asegúrese que su alimentación eléctrica sea compatible con la indicada. "Volts, 50/60 Hz" o "AC only" significa que su cepillo debe ser operado sólo con corriente alterna y nunca con corriente continua. Una reducción de más de 10% en el voltaje causará que se pierda potencia y se sobrecaliente. Todas las herramientas DEWALT son probadas de fábrica, si esta herramienta no funciona, revise la alimentación eléctrica.

## Transporte del cepillo

**ADVERTENCIA:** Para su seguridad, se recomienda cargar la máquina entre dos personas. De lo contrario podría resultar en una lesión grave.

Cuando mueva su cepillo, sosténgalo de las manillas de transporte laterales (B) o de la hendidura (C) en la base del cepillo. (Fig. 2).

Cuando transporte o almacene el cepillo, use el sujetador del cable (D) ubicado en la parte posterior de la herramienta (Fig. 3) para mantenerlo en su sitio.

## Montaje sobre la mesa de trabajo

Para facilitar el montaje sobre la mesa de trabajo, la herramienta viene con dos orificios de diferentes tamaños (E) en sus cuatro esquinas, como lo muestra la Figura 4. Si va a montar el cepillo con pernos, use los orificios más grandes. Si lo montará con clavos o tornillos, use los más pequeños. No es necesario usar ambos orificios.

Siempre monte su cepillo firmemente en una superficie segura para evitar movimiento. Para mejorar la transportabilidad de la herramienta, puede ser montada a una pieza de contrachapado de 1/2" (12,7 mm.) o más grueso, la cual luego puede ser fijada con abrazaderas a su mesa de trabajo o trasladada a otras áreas de trabajo y fijada con abrazaderas a ellas.

**NOTA:** Si elige montar su cepillo a una pieza de contrachapado, asegúrese que los tornillos de montaje no sobresalgan de la parte inferior de la madera. El contrachapado debe poder ser puesto pegado a la mesa de trabajo.

**ATENCIÓN:** La superficie de montaje no debería estar deformada de ninguna manera. Debe ser una superficie pareja y lisa.

## ENSAMBLAJE

**ADVERTENCIA:** Para reducir el riesgo de lesiones corporales graves, apague la herramienta y desconéctela de la fuente de alimentación antes de realizar ajustes o de quitar o poner accesorios.

## Manivela de ajuste de profundidad

### PARA COLOCAR LA MANIVELA DE AJUSTE DE PROFUNDIDAD

1. Inserte la manivela (F) sobre el eje (Fig. 5).
2. Fíjela en su sitio con el tornillo star y la llave en T incluidas en el kit.

### INSTALACIÓN DE LA CUBIERTA PARA POLVO (FIG. 1)

1. Retire los tornillos (AA, fig. 1) y guárdelos.
2. Deslice los ganchos de la cubierta para polvo (BB, fig. 1A) para ubicarlos en su sitio, en la parte de adelante de la bandeja de la herramienta, y gire la cubierta para polvo para ubicarlo en su sitio.
3. Alinee los orificios de la cubierta para polvo con los de la bandeja de la herramienta y la caja del motor. Fíjelas con los tornillos que retiró y guardó.

**NOTA:** Ajuste el tornillo inferior primero y luego los de los dos lados.

4. Conecte la cubierta para polvo a un colector de polvo. Remítase al manual de usuario del colector de polvo para obtener la información correcta de procedimientos y seguridad.

**ATENCIÓN:** Cuando utilice el accesorio de colección de polvo, no utilice la unidad sin tener una manguera conectada y el colector de polvo funcionando.

## OPERACIÓN

**ADVERTENCIA:** Para reducir el riesgo de lesiones corporales graves, apague la herramienta y desconéctela de la fuente de alimentación antes de realizar ajustes o de quitar o poner accesorios.

## Conmutador On/Off (de encendido y apagado)

Para encender el cepillo, levante el conmutador (G). El cepillo se quedará encendido automáticamente. Para apagar la herramienta, presione el conmutador hacia abajo. Hay un orificio (H) en la parte inferior del conmutador para insertar un candado para dejar el cepillo apagado y bloqueado, como lo muestra la Figura 6.

## Extensiones de la mesa

Antes de usar su cepillo, doble las extensiones de la mesa en la parte anterior y posterior de la herramienta (Fig. 7). Luego de uso prolongado, las extensiones de la mesa pueden quedar ligeramente fuera de nivel. Vea **Cómo nivelar las extensiones de la mesa** en la sección de **Mantenimiento** de este manual.

**NOTA:** Los bordes exteriores de las mesas de extensión están al mismo nivel que la base mientras que los bordes interiores (más cercanos al mecanismo de corte) se encuentran más abajo que el borde de la base. Esto queda fijado de fábrica para reducir cualquier fricción no necesaria entre el material y la mesa, al tiempo que proporciona un soporte adecuado en ambos puntos (aquellos más alejados del mecanismo de corte) de las mesas, lo cual es fundamental para la prevención de snipe.

## Bloqueo del carril

Su cepillo tiene una palanca de bloqueo para el carril (I) ubicada en la parte superior del motor (Fig. 8). Este dispositivo fija el carril que sujeta el mecanismo de corte a los cuatro postes de su cepillo. Al fijar el carril a los cuatro postes, el movimiento que causa snipe quedará drásticamente reducido.

## Ajuste de profundidad

La escala de ajuste de profundidad (J) indica el grosor final de su pieza de trabajo (Fig. 9). Una vuelta a la manivela de ajuste de profundidad es igual a 1,6 mm (1/16 pulg.); media vuelta es igual a 0,8 mm (1/32 pulg.), etc.

### PARA FIJAR EL GROSOR FINAL

1. Levante la palanca de bloqueo del mecanismo de corte para desbloquearlo (Fig. 8). Esto permite que se ajuste el mecanismo de corte.
2. Ajuste el grosor. Gire la manivela de ajuste de profundidad en dirección a las manillas del reloj para bajar el mecanismo de corte. Gírela en dirección contraria para elevar el mecanismo de corte. Una vuelta completa de la manivela mueve el mecanismo de corte 1,6 mm (1/16 pulg.).
3. Presione la palanca de bloqueo del mecanismo de corte para volver a bloquearlo antes de cepillar.

**NOTA:** No intente ajustar la altura del carril cuando el carril está bloqueado. Puede dañar la máquina de esta forma.

### AJUSTES DE PRECISIÓN

La manivela de ajuste de profundidad permite realizar ajustes de precisión, de 0,4 mm (1/64 pulg.) a 1,6 mm (1/16 pulg.).

Los ajustes de precisión son ideales para recortar pedazos pequeños de su material. Por ejemplo, si su pieza de trabajo cepillada mide 77,8 mm (3-1/16 pulg.) de grosor, pero debería medir 76,2 mm (3-1/16 pulg.) de grosor, ajuste su cepillo para quitarle el 1,6 mm (1/16 pulg.) de exceso de la siguiente manera:

1. Cepille y mida su pieza de trabajo. En este ejemplo, el grosor final es de 77,8 mm (3-1/16 pulg.).

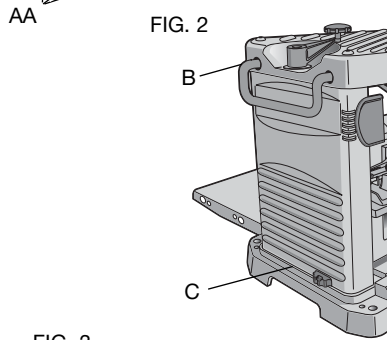
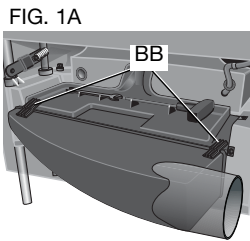
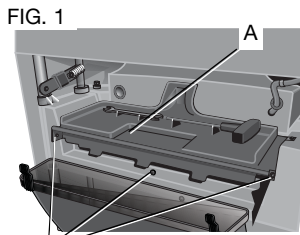
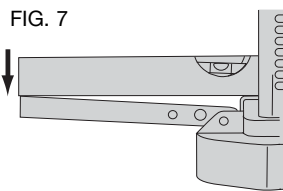
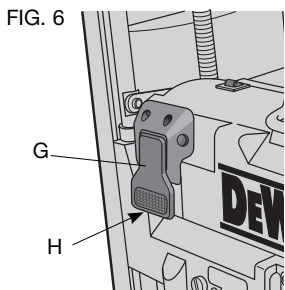
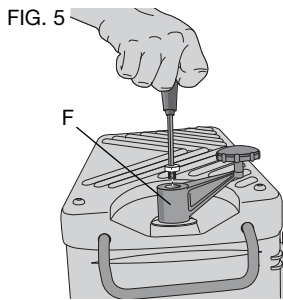
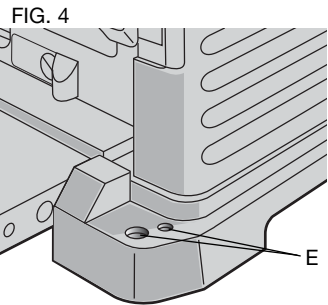
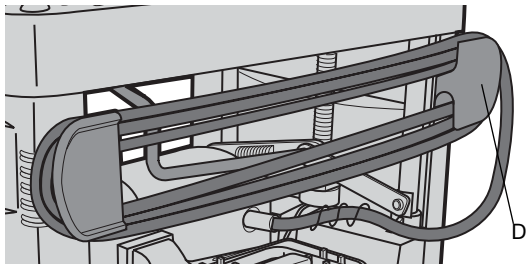


FIG. 3



2. Voltee la etiqueta circular de la manivela de ajuste de profundidad hasta que el "0" quede alineado con la flecha de la parte superior de la herramienta. No haga ningún otro ajuste al cepillo.
3. Gire la manivela de ajuste de profundidad en dirección de las manillas del reloj hasta que el 1,6 mm (1/16 pulg.) quede alineado con la flecha.
4. Cepille su pieza de trabajo. El grosor final debería ser de 76,2 mm (3-1/16 pulg.).

### Indicador de recorte de material

Su cepillo viene equipado con un indicador de recorte de material. Se usa para indicar la cantidad de madera que será recortado en cada pasada con el carril fijado en su altura actual.

#### PARA UTILIZAR EL INDICADOR DE RECORTE DE MATERIAL

**⚠ADVERTENCIA:** NO ENCIENDA LA UNIDAD CON EL MATERIAL COLOCADO DEBAJO DEL CARRIL. PODRÍA RESULTAR EN LESIONES SERIAS.

1. Deslice aproximadamente 76,2 mm (3-1/16 pulg.) de su material debajo de la flecha (K) ubicada en la mitad del carril (Fig. 10).
2. La madera debe quedar plana contra la base del cepillo. Si el material se inserta en ángulo, la lectura puede carecer de precisión.
3. Desbloquee y mueva el carril hacia el material hasta que la barra de recorte de material entre en contacto con la madera. El indicador rojo (L) mostrará en su escala la cantidad de material que será recortado con el carril a esa altura.
4. Ajuste la altura del carril hasta que la profundidad deseada para el corte aparezca en el indicador.
5. Retire el material debajo del carril.
6. Fije la palanca de bloqueo del carril.
7. Encienda la unidad y alimente su material en el mecanismo de corte.

**NOTA:** No exceda la profundidad recomendada de corte para los diversos anchos de material recomendados en el indicador de recorte de material (Cuadro A).

### Tope tipo torreta

Su cepillo viene equipado con un tope tipo torreta (M), como lo muestra la Figura 11, para el cepillado repetitivo de profundidades prefijadas. Los topes están fijados en 0", 6,4 mm (1/4 pulg.), 12,7 mm (1/2 pulg.) y 19,0 mm (3/4 pulg.). Use el tope en 0" cuando cepille entre 3,2 mm (1/8 pulg.) y 6,4 mm (1/4 pulg.).

#### PARA FIJAR UNA PROFUNDIDAD DE CEPILLADO

1. Asegúrese que el carril quede fijado en 31,8 mm (1-1/4 pulg.) antes de intentar fijar el tope.
2. Gire el tope hasta que se vea la medida deseada (Fig. 11).

TABLA A

MATERIAL REMOVAL GAUGE		DEPTH OF CUT
1/8	3/32	0
1/16	1/32	0
3"	6"	9"
WIDTH		13"

3. Desbloquee la palanca de bloqueo del mecanismo (Fig. 8). Gire la manivela de ajuste de profundidad, bajando el carril en los incrementos deseados hasta que tope.

**NOTA:** NO USE FUERZA PARA BAJAR EL CARRIL A UN NIVEL MENOR QUE EL INDICADO POR EL TOPE. PUEDE CAUSAR DAÑO PERMANENTE AL SISTEMA DE AJUSTE DE ALTURA EN SU CEPILLO.

**NOTA:** El tope de 19,0 mm (3/4 pulg.) puede ser ajustado para otros grosores de cepillado. El ajuste del tope de 3/4" (~1,91 cm.) no afecta los otros toques prefijados.

#### PARA AJUSTAR EL TOPE DE 19,0 MM (3/4 PULG.) PARA OTROS GROSORES

1. Desbloquee la palanca de bloqueo del mecanismo (Fig. 8) y gire la manivela de ajuste en dirección contraria a las manillas del reloj para elevar el mecanismo de corte.
2. En la parte posterior de la herramienta, ubique el perno de ajuste de la torreta (N), como lo muestra la Figura 11. Este perno está prefijado de fábrica para una profundidad de corte de 19,0 mm (3/4 pulg.). Use la llave inglesa incluida para soltar la contratuerca. Ajuste el perno hacia arriba o hacia abajo para alcanzar la profundidad de cepillado deseada.
3. Desbloquee la palanca de bloqueo del mecanismo (Fig. 8). Gire la manivela de ajuste de profundidad, bajando el carril en los incrementos deseados hasta que tope.

## ELEMENTOS BÁSICOS DEL CEPILLADO

### Técnica de cepillado correcta

**⚠ADVERTENCIA:** NO ENCIENDA LA UNIDAD SI EL MATERIAL YA ESTÁ INSERTADO DEBAJO DEL CARRIL. ESPERE HASTA QUE LOS RODILLOS Y EL MECANISMO DE CORTE ESTÉN FUNCIONANDO EN SU VELOCIDAD MÁXIMA ANTES DE ALIMENTAR EL MATERIAL EN LA MÁQUINA.

#### PARA CEPILLAR SU MATERIAL

Su cepillo funcionará mejor con madera que tenga al menos una superficie plana. Si ambos lados de su pieza de trabajo son desiguales, use una juntera para nivelar un lado.

Asegúrese que la pieza de trabajo tenga el soporte debido en todo momento. La profundidad máxima de corte que su cepillo puede lograr en una pasada es de 3,2 mm (1/8 pulg.) [en material de menos de 152,4 mm (6 pulg.) de ancho]. Nunca intente modificar su cepillo para poder lograr un corte más profundo. Siga las pautas de profundidad y ancho de corte del cuadro A para obtener los mejores resultados.

1. Baje el carril a la altura deseada para su primera pasada.
2. Encienda la unidad y alimente el material por los rodillos de alimentación.
3. Examine el corte final y ajuste el carril a la altura apropiada para la siguiente pasada.

Vea la *Guía de Resolución de Problemas* al final de esta sección para obtener mayor información.

FIG. 8

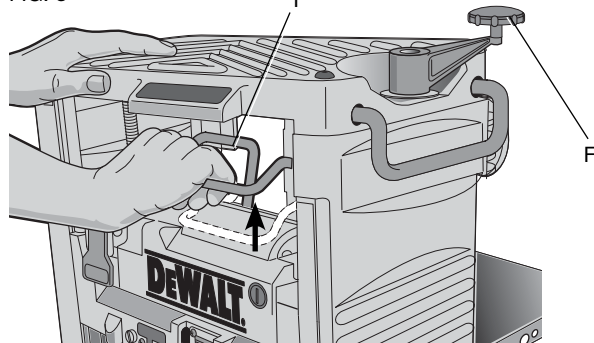


FIG. 9

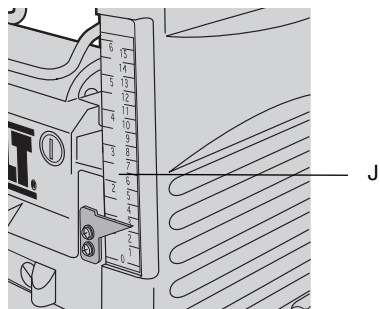


FIG. 10

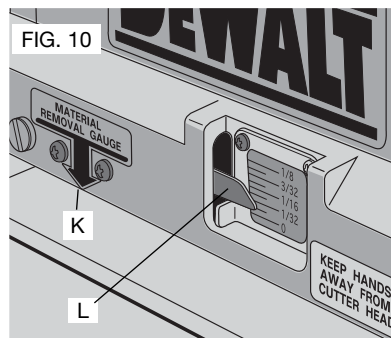
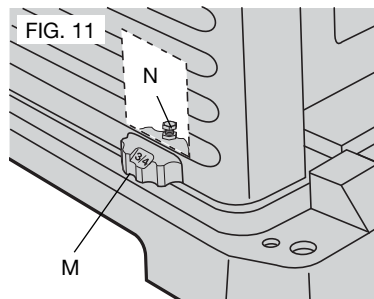


FIG. 11



**⚠ADVERTENCIA:** No se pare entre la pieza de trabajo y una estructura fija mientras el material esté saliendo de la máquina. Puede resultar en lesión corporal y/o daño a la pieza de trabajo.

**⚠ADVERTENCIA:** Esta herramienta está diseñada para cepillar sólo madera. No intente cepillar materiales que no sean madera.

**⚠ADVERTENCIA:** Nunca cepille maderas de un largo inferior a las 304,8 mm (12 pulg.).

**⚠ADVERTENCIA:** Sólo cepille madera limpia de objetos ajenos a ella, sin nudos sueltos y con la menor cantidad posible de nudos firmes. No cepille madera que esté demasiado deformada, torcida, arqueada o que sea muy nudosa.

**⚠ADVERTENCIA:** No alimente la madera en dirección perpendicular a la veta. Siempre siga la dirección de la veta.

**NOTA:** Para los mejores resultados, cepille ambos lados de la pieza de trabajo para alcanzar el grosor deseado. Por ejemplo, si necesita recortar 3,2 mm (1/8 pulg.) de su pieza de trabajo, recorte 1,6 mm (1/16 pulg.) de cada lado. Esto no sólo permite que la pieza de trabajo se seque con un contenido de humedad parejo, sino que además produce cortes más finos.

**NOTA:** Siempre cepille en la dirección de la veta. No se recomienda cepillar material de menos de 19,0 mm (3/4 pulg.) de ancho. Si tiene que hacerlo, junte las piezas y cepíllelas como una pieza de trabajo más ancha, si es posible.

#### ANCHO/ ALTURA/ PROFUNDIDAD MÍNIMA/ MÁXIMA

**NOTA:** Existe un área del carril de su cepillo que permitirá realizar un corte de 3,2 mm (1/8 pulg.) de profundidad en un material de menos de 152,4 mm (6 pulg.) de ancho. Vea la Figura 12 para una ubicación aproximada de esta área. Su material debe ser puesto bajo esta sección del carril o de lo contrario el cepillo no aceptará una profundidad de corte de 1/8" (~0,32 cm.). Si el material es más ancho que 152,4 mm (6 pulg.), no cabrá en esta área con una profundidad de corte de 3,2 mm (1/8 pulg.).

#### Snipe

Snipe es una depresión en el material causada al cepillar una pieza demasiado larga sin el soporte debido. Cuando el extremo sin soporte se dobla hacia abajo, el otro extremo se eleva hacia el mecanismo de corte y queda recortado en un grosor diferente. Si va a cepillar una pieza larga de material, se recomienda el uso de soporte adicional.

#### PARA EVITAR SNIPE

Alimente la pieza de trabajo en el cepillo de modo que esté siempre recostada sobre la base en forma pareja. Para mantener parejas las piezas de trabajo largas durante toda la operación de cepillado, recíbalas o "atájelas" en la parte posterior del cepillo.

**⚠ADVERTENCIA:** No se pare entre la pieza de trabajo y una estructura fija mientras el material esté saliendo de la máquina. Puede resultar en lesión corporal y/o daño a la pieza de trabajo.

## Madera torcida, y arqueada a lo ancho y a lo largo

Puede que el cepillo no produzca el resultado deseado si ambos lados de su material están muy desiguales o si el material está arqueado a lo ancho o a lo largo o torcido. Sería idea si al menos un lado o superficie de su material esté nivelado antes de cepillarlo. Su cepillo de grosor funcionará mejor con un material que ha sido pasado por una juntera para producir una superficie plana. Si no tiene al menos una superficie plana ni tampoco cuenta con una juntera, vea las siguientes recomendaciones:

#### PARA CEPILLAR MADERA TORCIDA (FIG. 13)

**⚠ADVERTENCIA:** LA MADERA TORCIDA PUEDE BLOQUEAR SU CEPILLO DE GROSOR. SI ESTO OCURRE, APAGUE LA MÁQUINA, DESENCHÚFELA Y ELEVE EL CARRIL PARA SOLTAR EL MATERIAL DEL MECANISMO DE CORTE.

#### Para cepillar madera que está ligeramente torcida:

Cepille ambos lados alternando hasta que alcance el grosor deseado.

#### PARA CEPILLAR MADERA ARQUEADA A LO ANCHO (FIG. 14)

#### Para obtener los mejores resultados con madera arqueada a lo ancho:

Corte el material por la mitad con una sierra siguiendo la veta, a lo largo y cepíllelo en dos piezas separadas.

**NOTA:** El aserrar el material reduce la gravedad del arco y permite que la máquina produzca mejores resultados. Se recortará más material de la madera arqueada a lo ancho para lograr el grosor deseado que de una tabla normal.

#### Si no puede aserrar el material:

Cepille un lado del material hasta que quede plano, y luego cepille el otro hasta que también quede plano (Fig. 15).

**NOTA:** No dé vuelta la tabla entre cada pasada.

#### PARA CEPILLAR MADERA ARQUEADA A LO LARGO (FIG. 16)

Los rodillos de alimentación y el mecanismo de corte de su cepillo enderezarán el material a medida que es alimentado. Cuando el material salga del cepillo, la presión de los rodillos y el mecanismo de corte será liberada lo cual permitirá que la madera vuelva a arquearse. Para debidamente enderezar la madera, use una juntera.

## CÓMO CAMBIAR LAS CUCHILLAS DEL CEPILLO

**⚠ADVERTENCIA:** Para reducir el riesgo de lesiones corporales graves, apague la herramienta y desconéctela de la fuente de alimentación antes de realizar ajustes o de quitar o poner accesorios.

Su cepillo viene con un cabezal de corte de tres cuchillas con tres hojas que tienen dos bordes afilados. Estas hojas pueden rotarse una vez y cambiarse cuando sea necesario.

#### CAMBIE LAS HOJAS CUANDO:

- estén romas – podrían causar problemas de alimentación del material.



FIG. 12

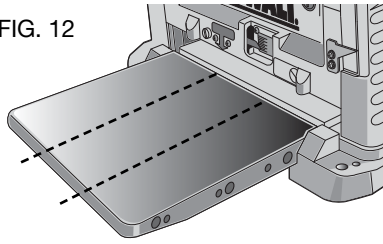


FIG. 13



FIG. 14

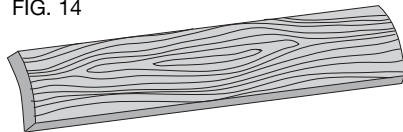
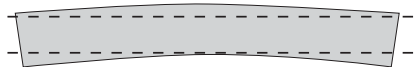


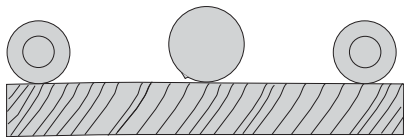
FIG. 15 PARTE SUPERIOR PLANA



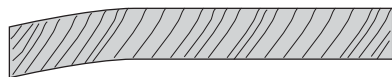
PARTE INFERIOR PLANA

FIG. 16

LOS RODILLOS DE ALIMENTACIÓN Y LA CABEZA DE CORTE ENDREZARÁN LA MADERA PANDEADA ...



...PERO LA PANDEADURA VOLVERÁ DESPUÉS DE QUE SE CEPILLE LA MADERA



- la alimentación del material sea lenta o no se pueda alimentar el material.
- la sobrecarga del motor puede ser también un indicador de que las cuchillas están romas y esto resultaría en saltos frecuentes del cortacircuitos.
- el material de madera a cepillar se esté rasgando demasiado
- muescas - las hojas pueden tener muescas cuando se usen para cepillar madera con muchos nudos o cuando no se retiren materiales extraños antes de cepillar la madera.

### PARA CAMBIAR LAS CUCHILLAS DEL CEPILLO

1. Use la llave en T para sacar la bandeja de herramientas. El mecanismo de corte quedará expuesto. Si los ocho pernos de la abrazadera de la cuchilla NO ESTÁN visibles, use un pedazo de madera para rotar el mecanismo de corte con mucho cuidado hasta que los pernos queden accesibles y la palanca de bloqueo del mecanismo de corte encaje en su sitio, como lo muestra la Figura 21 (O). Esto evitará que el mecanismo de corte siga rotando cada vez que cambie una cuchilla (Fig. 17). Si los pernos ESTÁN visibles, asegúrese que la palanca de bloqueo del mecanismo de corte esté encajada en su sitio para que el mecanismo de corte no rote al cambiar las cuchillas. Para hacer esto, use un pedazo de madera para intentar rotar el mecanismo de corte. La palanca de bloqueo encajará en su sitio con un 'clic' si no estaba ya encajada.

**⚠ADVERTENCIA: MANTENGA SUS DEDOS ALEJADOS DEL MECANISMO DE CORTE EN TODO MOMENTO. USE LA HERRAMIENTA INCLUIDA PARA MANEJAR LAS CUCHILLAS.**

2. Quite los pernos de la abrazadera de la cuchilla.
3. Use los imanes en la parte superior de la llave en T para atraer la abrazadera de la cuchilla y levante la cuchilla retirándola del mecanismo de corte (Fig. 18). Quedará una de las cuchillas expuesta.
4. Use el imán en la parte superior de la llave en T para atraer y manejar la cuchilla. EVITE TOCAR LA CUCHILLA CON SUS DEDOS. Ambos cantos de las cuchillas de su cepillo están afilados.

### Si sólo un canto de la cuchilla está gastado:

1. Voltee la cuchilla para que el canto afilado y sin uso cuelgue del borde del mecanismo de corte, donde cortará el material. Asegúrese de fijar los orificios alargados de la cuchilla sobre las clavijas del mecanismo de corte (Fig. 19).
2. Para volver a colocar la abrazadera de la cuchilla, alinee el borde biselado de la abrazadera de la cuchilla con el canto de la cuchilla que será utilizado para cortar (Fig. 20). Si no quedan debidamente alineados, la abrazadera no sujetará la cuchilla correctamente.
3. Coloque los tornillos en los orificios de la abrazadera de la cuchilla y de la cuchilla y atorníllelos al mecanismo de corte.
4. Ajústelos bien.

FIG. 17



FIG. 18

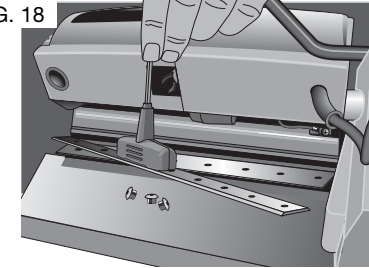


FIG. 19

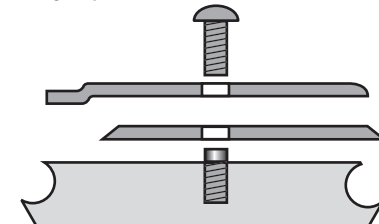


FIG. 20

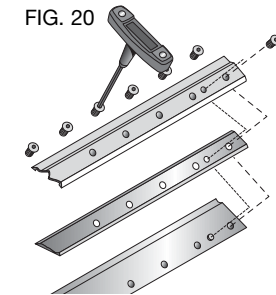
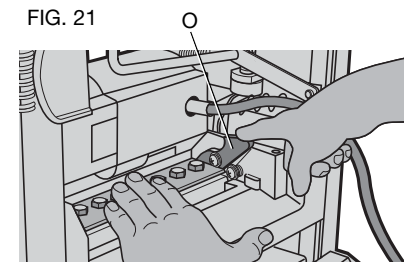
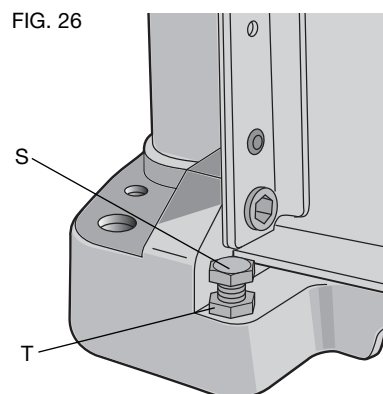
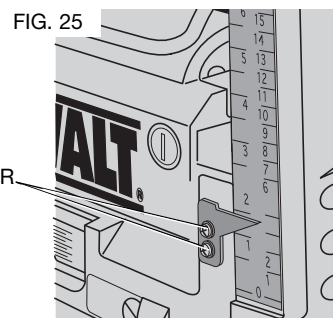
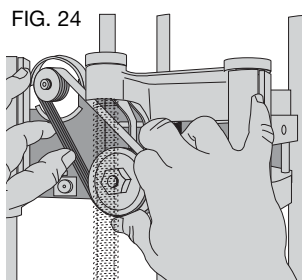
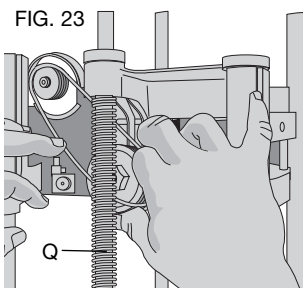
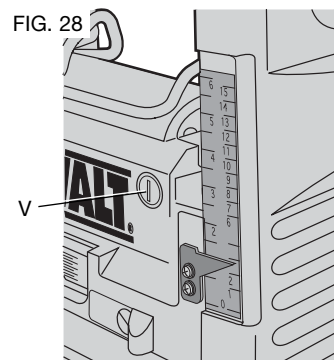
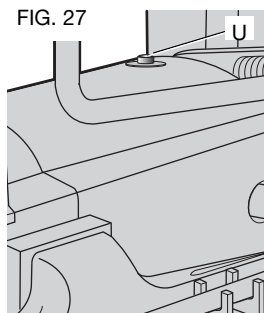
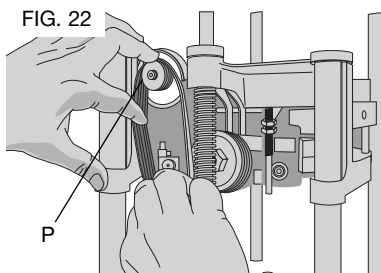


FIG. 21





5. Revise cuán afiladas están las hojas. Cámbielas si es necesario.
6. Calibrado del medidor, revise el calibrado del medidor de espesor y de la torreta de tope.
7. Revise las escobillas para verificar que no estén desgastadas. Cámbielas si es necesario.

### **Cómo instalar una nueva correa**

**NOTA:** No se necesita ninguna herramienta para instalar una correa. El uso de un atornillador u otra herramienta para extraer o estirar una correa puede dañar las poleas y destruir la correa nueva.

#### **⚠ADVERTENCIA: APAGUE Y DESENCHUFE EL CEPILLO.**

1. Saque la manivela.
2. Quite los dos tornillos hex de la parte superior del costado derecho del cepillo.
3. Quite ambos tornillos con cabeza cruz que sujetan los paneles laterales a la parte superior del cepillo.
4. Levante el panel lateral sacándolo de su ranura en la base y póngalo a un lado. Observe las hendiduras de la correa.
5. Inserte la correa en la polea superior (P) con tres hendiduras en la polea, como lo muestra la Figura 22.
6. Guíe la correa entre la polea inferior y el tornillo de ajuste de altura (Q), como lo muestra la Figura 23.
7. Con las tres hendiduras enganchadas en la polea más grande, rote la polea en dirección a las manillas del reloj. Mantenga la presión en el borde de la correa para que las hendiduras se mantengan enganchadas en la polea más pequeña.
8. Mantenga la presión en el borde de la correa y rote la polea más grande a medida que encaja la correa más y más en las poleas, como lo muestra la Figura 24.
9. Todas las hendiduras de la correa deberían quedar enganchadas en la posición final y las poleas deberían rotar suavemente.
10. Vuelva a instalar la cubierta lateral y los tornillos. No ajuste demasiado los tornillos autorroscantes.

### **Cómo calibrar la escala de ajuste de profundidad**

La escala de ajuste de profundidad de su cepillo viene fijada de fábrica. Sin embargo, con el uso prolongado, la escala de ajuste de profundidad podría mostrar una medida incorrecta.

#### **PARA EXAMINAR LA ESCALA DE AJUSTE DE PROFUNDIDAD**

1. Cepille una pieza de madera, observando la medida en la escala de ajuste de profundidad.
2. Mida el grosor final de la pieza de trabajo.
3. Si el grosor de la pieza de trabajo no es el mismo que el que aparece en la escala de ajuste de profundidad, suelte los dos tornillos con cabeza cruz (R), como lo muestra la Figura 25.

#### **Para obtener acceso a y reemplazar las otras dos cuchillas:**

1. Presione la palanca de bloqueo del mecanismo de corte (O), como lo muestra la Figura 21.
2. Use un pedazo de madera para voltear el mecanismo de corte cuidadosamente hasta que encaje en su sitio y exponga otra abrazadera de cuchilla y cuchilla roma.
3. Repita el procedimiento de más arriba.

#### **Si las cuchillas tienen ambos cantos romos:**

1. Siga el mismo procedimiento para cambiar cuchillas indicado más arriba. SIN EMBARGO, deshágase de las cuchillas romas e instale unas nuevas en el mecanismo de corte. Las hojas no se pueden afilar.
2. Repita el procedimiento con todas las cuchillas.

#### **Luego de instalar o invertir las cuchillas:**

1. Vuelva a poner la bandeja de herramientas en su sitio en la unidad.
2. Ajuste los tornillos de la bandeja.

**NOTA:** EL CEPILLO NO FUNCIONARÁ SI LA BANDEJA DE HERRAMIENTAS NO ESTÁ BIEN INSTALADA.

### **MANTENIMIENTO**

**⚠ADVERTENCIA:** Para reducir el riesgo de lesiones corporales graves, apague la herramienta y desconéctela de la fuente de alimentación antes de realizar ajustes o de quitar o poner accesorios.

#### **Mantenimiento periódico**

**⚠ADVERTENCIA:** Para reducir el riesgo de lesiones corporales graves, apague la herramienta y desconéctela de la fuente de alimentación antes de realizar ajustes o de quitar o poner accesorios.

1. Revise la herramienta en forma regular para verificar que no tenga daños o piezas rotas.
2. Limpie el polvo y los desechos acumulados de la operación de cepillado de madera en la unidad en todas las áreas que pueda acceder.
3. Pase un trapo a los rodillos de alimentación y de salida.
4. Limpie la mesa de la base. Si aplica una capa ligera de cera, esta ayudará a que el material de madera pase con mayor facilidad por el cepillo.

4. Ajuste la aguja hacia arriba o abajo hasta que indique el grosor final de la pieza de trabajo. Vuelva a ajustar bien los tornillos.

## Cómo nivelar las extensiones de la mesa

Luego de un uso prolongado, las extensiones de la mesa pueden desnivelarse ligeramente. Para asegurar que las mesas estén niveladas, ponga una regla sobre la extensión de la mesa y la mesa principal (Fig. 7). Cuando nivele, presione el borde de las extensiones de la mesa hacia abajo para que no haya juego. Para mejores resultados, use un nivel suficientemente largo como para que toque los bordes de ambas extensiones de la mesa. Si las extensiones de la mesa no están niveladas, suelte las contratueras (T) y ajuste los pernos de soporte de la extensión de la mesa (S) hacia arriba o abajo (Fig. 26).

**NOTA:** Los bordes exteriores de las mesas de extensión están al mismo nivel que la base mientras que los bordes interiores (más cercanos al mecanismo de corte) se encuentran más abajo que el borde de la base. Esto queda fijado de fábrica para reducir cualquier fricción no necesaria entre el material y la mesa, al tiempo que proporciona un soporte adecuado en ambos puntos (aquellos más alejados del mecanismo de corte) de las mesas, lo cual es fundamental para la prevención de snipe.

### MESA

Mantenga la mesa limpia y sin aceite, grasa y brea. Trate la mesa con cera en pasta para mantener su superficie suave.

## Botón de reposición del cortacircuitos (Fig. 27)

Su cepillo viene equipado con un cortacircuitos de 18 amperes. Si su cepillo se sobrecarga y deja de operar, apague el cepillo, déjelo apagado por 2 minutos y luego presione el botón de reposición del cortacircuitos (U) antes de seguir trabajando.

**⚠️ADVERTENCIA:** Para prevenir que el cepillo arranque inesperadamente si la corriente se corta por una activación del cortacircuitos, asegúrese que el conmutador esté en OFF (apagado) antes de volver a dar la corriente.

**NOTA:** Las cuchillas romas frecuentemente son la causa de una sobrecarga del cortacircuitos. Cambie sus cuchillas en forma regular para evitar que el cortacircuitos se active. Revise sus cuchillas antes de reposicionar el cortacircuitos y seguir con el cepillado. Vea la Guía de Resolución de Problemas al final de esta sección para mayor información.

## Escobillas

Revise las escobillas de carbón en forma regular. Manténgalas limpias y deslizándose libremente en sus rieles. Siempre reemplace las escobillas usadas poniéndolas en el sujetador en la misma dirección que tenían antes de ser retiradas. Las escobillas de carbón tienen símbolos diferentes en

sus costados, y deben ser cambiadas si se gastan hasta la línea más cercana al resorte. Sólo use escobillas DEWALT originales. Puede encontrar unidades de escobillas nuevas en los centros de servicio DEWALT. Luego de reemplazar las unidades de escobillas, haga funcionar la herramienta sin carga por 10 minutos para que las escobillas queden bien asentadas antes de ser usadas.

### PARA SACAR LA UNIDAD DE ESCOBILLAS (FIG. 28)

**⚠️ADVERTENCIA:** Para reducir el riesgo de lesiones corporales graves, apague la herramienta y desconéctela de la fuente de alimentación antes de realizar ajustes o de quitar o poner accesorios.

1. Quite la tapa de inspección de la escobilla (V).
2. Saque la unidad de escobillas.

## Limpieza y lubricación

**⚠️ATENCIÓN:** Nunca permita que le entre líquido a la herramienta; nunca sumerja ninguna parte de la herramienta en líquido. Puede resultar en descarga eléctrica.

**⚠️ATENCIÓN:** Nunca use solventes u otros químicos fuertes para limpiar las piezas no-metálicas de la herramienta.

Se recomienda que una vez al año lleve o envíe la herramienta a un centro de servicio DEWALT certificado para una limpieza, inspección y lubricación a fondo del cárter.

## Accesorios

El cepillo de grosor DW734 tiene tres accesorios disponibles.

- DW7331 – Guardapolvo para DW734 (también sirve para el DW733)
- DW7342 – Cuchillas desechables e invertibles de 317,5 mm (12-1/2 pulg.) para cepillos
- DW7350 – Base móvil

**⚠️ATENCIÓN:** El uso de un accesorio no recomendado para esta herramienta podría ser peligroso.

Si necesita ayuda para ubicar estos accesorios, por favor póngase en contacto con DEWALT Industrial Tool Co., 701 East Joppa Road, Baltimore, MD 21286 o llame al 1-800-4-DEWALT (1-800-433-9258).

## Reparaciones

El cargador no es útil. No hay partes útiles dentro del cargador.

Para asegurar la SEGURIDAD y la CONFIABILIDAD del producto, las reparaciones, el mantenimiento y los ajustes deben (inclusive inspección y cambio de carbones) ser realizados en un centro de mantenimiento en la fábrica DEWALT, en un centro de mantenimiento autorizado DEWALT u por otro personal de mantenimiento calificado. Utilice siempre piezas de repuesto idénticas.

## PARA REPARACIÓN Y SERVICIO DE SUS HERRAMIENTAS ELÉCTRICAS, FAVOR DE DIRIGIRSE AL CENTRO DE SERVICIO MÁS CERCANO

### CULIACAN, SIN

Blvd. Emiliano Zapata 5400-1 Poniente  
Col. San Rafael (667) 717 89 99

### GUADALAJARA, JAL

Av. La Paz #1779 - Col. Americana Sector Juárez (33) 3825 6978

### MEXICO, D.F.

Eje Central Lázaro Cárdenas No. 18  
Local D, Col. Obrera (55) 5588 9377

### MERIDA, YUC

Calle 63 #459-A - Col. Centro (999) 928 5038

### MONTERREY, N.L.

Av. Francisco I. Madero 831 Poniente - Col. Centro (818) 375 23 13

### PUEBLA, PUE

17 Norte #205 - Col. Centro (222) 246 3714

### QUERETARO, QRO

Av. San Roque 274 - Col. San Gregorio (442) 2 17 63 14

### SAN LUIS POTOSI, SLP

Av. Universidad 1525 - Col. San Luis (444) 814 2383

### TORREON, COAH

Blvd. Independencia, 96 Pte. - Col. Centro (871) 716 5265

### VERACRUZ, VER

Prolongación Díaz Mirón #4280 - Col. Remes (229) 921 7016

### VILLAHERMOSA, TAB

Constitución 516-A - Col. Centro (993) 312 5111

### PARA OTRAS LOCALIDADES:

Si se encuentra en México, por favor llame al (55) 5326 7100

Si se encuentra en U.S., por favor llame al

1-800-433-9258 (1-800 4-DEWALT)

## Póliza de Garantía

IDENTIFICACIÓN DEL PRODUCTO:

Sello o firma del Distribuidor.

Nombre del producto: \_\_\_\_\_

Mod./Cat.: \_\_\_\_\_

Marca: \_\_\_\_\_

Núm. de serie: \_\_\_\_\_

(Datos para ser llenados por el distribuidor)

Fecha de compra y/o entrega del producto: \_\_\_\_\_

Nombre y domicilio del distribuidor donde se adquirió el producto: \_\_\_\_\_

Este producto está garantizado por un año a partir de la fecha de entrega, contra cualquier defecto en su funcionamiento, así como en materiales y mano de obra empleados para su fabricación. Nuestra garantía incluye la reparación o reposición del producto y/o componentes sin cargo alguno para el cliente, incluyendo mano de obra, así como los gastos de transportación razonablemente erogados derivados del cumplimiento de este certificado.

Para hacer efectiva esta garantía deberá presentar su herramienta y esta póliza sellada por el establecimiento comercial donde se adquirió el producto, de no contar con ésta, bastará la factura de compra.

### EXCEPCIONES

Esta garantía no será válida en los siguientes casos:

- Cuando el producto se hubiese utilizado en condiciones distintas a las normales;
- Cuando el producto no hubiese sido operado de acuerdo con el instructivo de uso que se acompaña;
- Cuando el producto hubiese sido alterado o reparado por personas distintas a las enlistadas al final de este certificado.

Anexo encontrará una relación de sucursales de servicio de fábrica, centros de servicio autorizados y franquiciados en la República Mexicana, donde podrá hacer efectiva su garantía y adquirir partes, refacciones y accesorios originales.

### Garantía limitada por tres años

DEWALT reparará, sin cargo, cualquier falla que surja de defectos en el material o la fabricación del producto, por hasta tres años a contar de la fecha de compra. Esta garantía no cubre fallas de las piezas causadas por su desgaste normal o abuso a la herramienta. Para mayores detalles sobre la cobertura de la garantía e información acerca de reparaciones realizadas bajo garantía, visítenos en [www.dewalt.com](http://www.dewalt.com) o diríjase al centro de servicio más cercano. Esta garantía no aplica a accesorios o a daños causados por reparaciones realizadas o intentadas por terceros. Esta garantía le otorga derechos legales específicos, además de los cuales puede tener otros dependiendo del estado o la provincia en que se encuentre.

Además de la garantía, las herramientas DEWALT están cubiertas por:

#### 1 AÑO DE SERVICIO GRATUITO

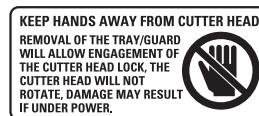
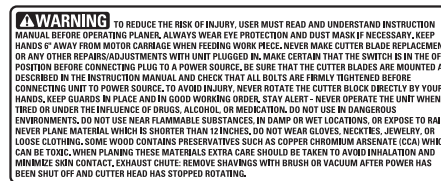
DEWALT mantendrá la herramienta y reemplazará las piezas gastadas por su uso normal, sin cobro, en cualquier momento durante un año a contar de la fecha de compra. Los artículos gastados por la clavadora, tales como la unidad de hoja y retorno del impulsador, no están cubiertas.

#### GARANTÍA DE REEMBOLSO DE SU DINERO POR 90 DÍAS

Si no está completamente satisfecho con el desempeño de su máquina herramienta, láser o clavadora DEWALT, cualquiera sea el motivo, podrá devolverlo hasta 90 días de la fecha de compra con su recibo y obtener el reembolso completo de su dinero – sin necesidad de responder a ninguna pregunta.

**AMÉRICA LATINA:** Esta garantía no se aplica a los productos que se venden en América Latina. Para los productos que se venden en América Latina, debe consultar la información de la garantía específica del país que viene en el empaque, llamar a la compañía local o visitar el sitio Web a fin de obtener esa información.

**REEMPLAZO GRATUITO DE LAS ETIQUETAS DE ADVERTENCIAS:** Si sus etiquetas de advertencia se vuelven ilegibles o faltan, llame al 1-800-4-DEWALT para que se le reemplacen gratuitamente.



### Información Técnica

#### DW734

Tensión de alimentación:	120 V AC ~
Consumo de corriente:	AC-15 A
Frecuencia de alimentación:	60 Hz
Potencia nominal:	1674 W
Rotación sin carga:	10 000/min

SOLAMENTE PARA PROPÓSITO DE MÉXICO:  
 IMPORTADO POR: DEWALT S.A. DE C.V.  
 BOSQUES DE CIDROS, ACCESO RADIATAS NO.42  
 3A. SECCIÓN DE BOSQUES DE LAS LOMAS  
 DELEGACIÓN CUAJIMALPA,  
 05120, MÉXICO, D.F.  
 TEL. (52) 555-326-7100  
 R.F.C.: BDE810626-1W7

Para servicio y ventas consulte  
 "HERRAMIENTAS ELÉCTRICAS"  
 en la sección amarilla.



## Guía de resolución de problemas

### SI EL MATERIAL NO SE ALIMENTA ADECUADAMENTE, REVISE PARA VER SI HAY:

- cuchillas romas, rote o cámbielas si es necesario. Remítase a la sección *Cómo cambiar las cuchillas del cepillo*.
- exceso de obstrucción en la cubierta para polvo. Remítase al párrafo **Instalación de la cubierta para polvo** en la sección *Ensamblaje*.
- exceso de aceite/desechos/alquitrán en los rodillos de alimentación. Remítase a los párrafos **Mantenimiento periódico y Limpieza y lubricación** bajo la sección *Mantenimiento*.
- material excesivamente torcido, abombado o pandeado. Remítase al párrafo **Madera torcida y arqueada a lo ancho y a lo largo** en la sección *Elementos básicos del cepillado*.
- una correa de transmisión rota. Remítase al párrafo **Cómo instalar una nueva correa** en la sección *Mantenimiento*.
- cuchillas romas. Remítase a la sección *Cómo cambiar las cuchillas del cepillo*.

### SI SALTA EL CORTACIRCUITOS REPETIDAMENTE:

- cuchillas romas, las cuchillas romas pueden producir sobrecarga del motor. Rote o cámbielas cuando sea necesario. Remítase a la sección *Cómo cambiar las cuchillas del cepillo*.  
**NOTA:** La sobrecarga del cortacircuitos frecuentemente resulta por tener cuchillas romas. Si el cortacircuitos de su cepillo salta, revise cuán afiladas están las cuchillas antes de intentar reposicionar el cortacircuitos para seguir cepillando.
- reduzca la profundidad del corte, un corte demasiado agresivo podría hacer que el motor se sobrecargue. Remítase al párrafo **Ajuste de la profundidad** de la sección *Operación*.

### SI LA UNIDAD NO FUNCIONA, REVISE PARA VER:

- si la unidad está enchufada. Verifique que la unidad esté enchufada en la toma apropiada. Remítase a la sección *Instrucciones de seguridad importantes para todas las herramientas*.
- si la bandeja de la herramienta está debidamente puesta. Remítase a la Figura 1 para ver su ubicación correcta.
- si es necesario reposicionar el cortacircuitos. Remítase al párrafo **Botón de reposición del cortacircuitos** bajo la sección *Mantenimiento*.
- si las escobillas del motor están desgastadas, cámbielas. Remítase al párrafo **Escobillas** bajo la sección *Mantenimiento*.





DEWALT Industrial Tool Co., 701 East Joppa Road, Baltimore, MD 21286 (AUG10) Part # N089222 DW734  
Copyright © 2003, 2004, 2010 DEWALT

The following are trademarks for one or more DEWALT power tools: the yellow and black color scheme; the “D” shaped air intake grill; the array of pyramids on the handgrip; the kit box configuration; and the array of lozenge-shaped humps on the surface of the tool.



## Free Manuals Download Website

<http://myh66.com>

<http://usermanuals.us>

<http://www.somanuals.com>

<http://www.4manuals.cc>

<http://www.manual-lib.com>

<http://www.404manual.com>

<http://www.luxmanual.com>

<http://aubethermostatmanual.com>

Golf course search by state

<http://golfingnear.com>

Email search by domain

<http://emailbydomain.com>

Auto manuals search

<http://auto.somanuals.com>

TV manuals search

<http://tv.somanuals.com>