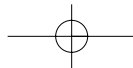
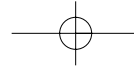


DEWALT Industrial Tool Co., 701 East Joppa Road, Baltimore, MD 21286 (JUN00-2) Form No. 383329
DW788 Copyright © 1997,2000





**INSTRUCTION MANUAL
GUIDE D'UTILISATION
MANUAL DE INSTRUCCIONES**

INSTRUCTIVO DE OPERACIÓN, CENTROS DE SERVICIO Y PÓLIZA DE GARANTÍA. **ADVERTENCIA:** LÉASE ESTE INSTRUCTIVO ANTES DE USAR EL PRODUCTO.

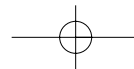
DEWALT®

DW788

20" (508 mm) Heavy Duty Variable Speed Scroll Saw

Scie à découper de service intensif de 508 mm (20 po) à régulateur de vitesse

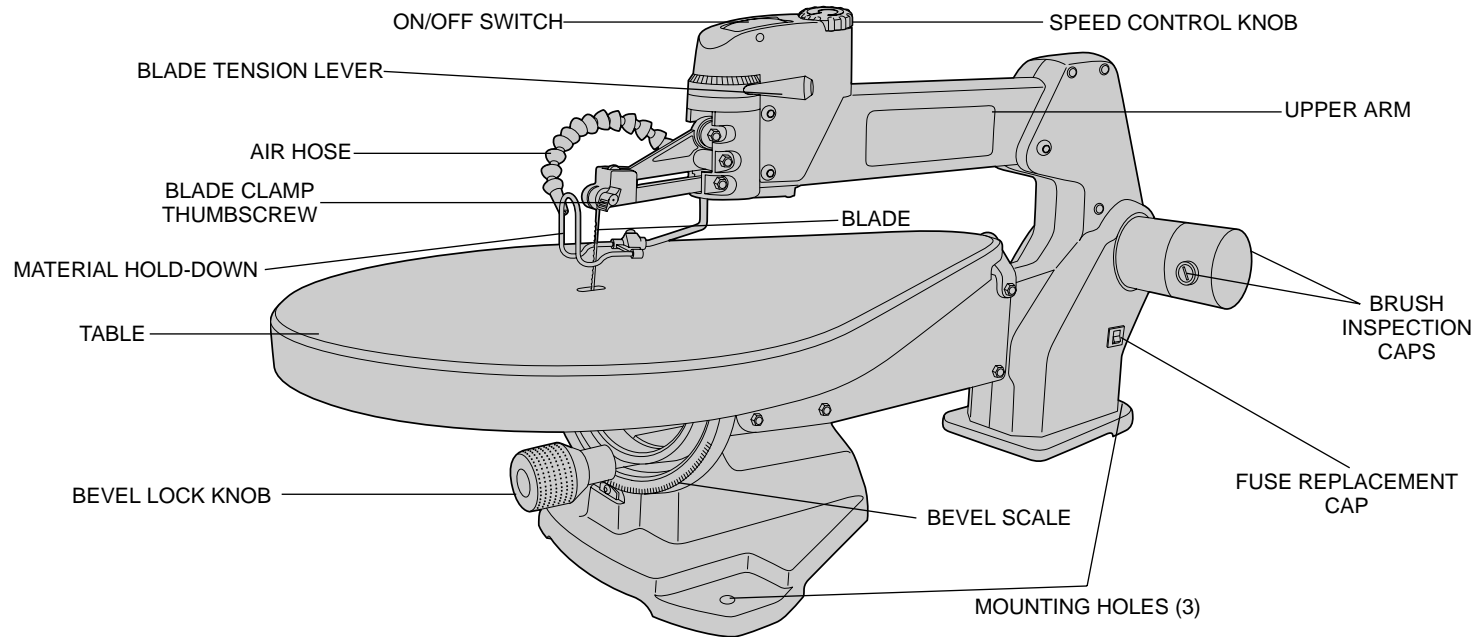
Sierra caladora de 508 mm (20") con velocidad variable para trabajo pesado



English

IF YOU HAVE ANY QUESTIONS OR COMMENTS ABOUT THIS OR ANY DeWALT TOOL, CALL US TOLL FREE AT:
1-800-4-DeWALT (1-800-433-9258)

⚠ WARNING: FOR YOUR OWN SAFETY, READ INSTRUCTION MANUAL BEFORE OPERATING SAW • DO NOT WEAR GLOVES, NECKTIES, JEWELRY OR LOOSE CLOTHING • CONTAIN LONG HAIR • ALWAYS WEAR EYE PROTECTION • INSTALL BLADE WITH TEETH POINTING DOWNWARD TOWARD THE TABLE BEFORE OPERATING SAW • MAINTAIN PROPER ADJUSTMENT OF BLADE TENSION BLADE GUARD BEFORE OPERATING SAW • ALWAYS ADJUST MATERIAL HOLD-DOWN SO THAT IT JUST CLEARS WORKPIECE • KEEP FINGERS A SAFE DISTANCE FROM BLADE • MAINTAIN CONTROL OF WORKPIECE AT ALL TIMES - HOLD FIRMLY AGAINST THE TABLE • NEVER REMOVE JAMMED OR CUT-OFF PIECES UNTIL POWER IS OFF AND BLADE HAS STOPPED • DO NOT EXPOSE TO RAIN OR USE IN DAMP LOCATIONS • SECURE TOOL PROPERLY TO PREVENT UNEXPECTED MOVEMENT • DO NOT OPERATE THIS MACHINE WHILE UNDER THE INFLUENCE OF ALCOHOL OR DRUGS • FAILURE TO COMPLY WITH THESE WARNINGS MAY RESULT IN SERIOUS PERSONAL INJURY.



⚠ WARNING: For your own safety read instruction manual before operating tool.

Grounding Instructions

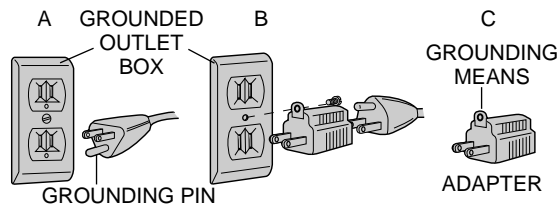
In the event of a malfunction or breakdown, grounding provides a path of least resistance for electric current to reduce the risk of electric shock. This tool is equipped with an electric cord having an equipment-grounding conductor and grounding plug. The plug must be plugged into a matching outlet that is properly installed and grounded in accordance with all local codes and ordinances. Do not modify plug provided—if it will not fit the outlet, have the proper outlet installed by a qualified electrician.

Improper connection of the equipment-grounding conductor can result in a risk of electric shock. The conductor with insulation having an outer surface that is green with or without yellow stripes is the equipment-grounding conductor. If repair or replacement of the electric cord or plug is necessary, do not connect the equipment-grounding conductor to a live terminal.

Check with a qualified electrician or service personnel if the grounding instructions are not completely understood, or if in doubt as to whether the tool is properly grounded.

Use only 3-wire extension cords that have 3-prong grounding plugs and 3-pole receptacles that accept the tool's plug.

Repair or replace damaged or worn cords immediately.



This tool is intended for use on a circuit that has an outlet that looks like the one illustrated in Figure A. The tool has a grounding plug that looks like the plug illustrated in Figure A. A temporary adapter, which looks like the adapter illustrated in Figures B and C, may be used to connect this plug to a 2-pole receptacle as shown in Figure B if a properly grounded outlet is not available. The temporary adapter should be used only until a properly grounded outlet can be installed by a qualified electrician. The green-colored rigid ear, lug, and the like, extending from the adapter must be connected to a permanent ground such as a properly grounded outlet box.

Important Safety Instructions

- **KEEP GUARDS IN PLACE** and in working order.
- **KEEP WORK AREA CLEAN.** Cluttered areas and benches invite injuries.
- **DON'T USE IN DANGEROUS ENVIRONMENT.** Don't use power tools in damp or wet locations, or expose them to rain. Keep work area well lighted.
- **KEEP CHILDREN AWAY.** All visitors should be kept safe distance from work area.
- **MAKE WORKSHOP KID PROOF** with padlocks, master switches, or by removing starter keys.
- **DON'T FORCE TOOL.** It will do the job better and safer at the rate for which it was designed.
- **USE RIGHT TOOL.** Don't force tool or attachment to do a job for which it was not designed.
- **USE PROPER EXTENSION CORD.** Make sure your extension cord is in good condition. When using an extension cord, be sure to use one heavy enough to carry the current your product will draw. An undersized cord will cause a drop in line voltage resulting in loss of power and overheating. The following table shows the correct size to use depending on cord length and nameplate ampere rating. If in doubt, use the next heavier gage. The smaller the gage number, the heavier the cord.

English

- **OUTDOOR USE EXTENSION CORDS.** When tool is used outdoors, use only extension cords intended for use outdoors and so marked.

Minimum Gage for Cord Sets						
Volts	Total Length of Cord in Feet					
120V	0-25	26-50	51-100	101-150		
240V	0-50	51-100	101-200	201-300		
Ampere Rating		AWG				
More Than	Not more Than					
0	-	6	18	16	16	14
6	-	10	18	16	14	12
10	-	12	16	16	14	12
12	-	16	14	12	Not Recommended	

- **WEAR PROPER APPAREL.** Do not wear loose clothing, gloves, neckties, rings, bracelets, or other jewelry which may get caught in moving parts. Nonslip footwear is recommended. Wear protective hair covering to contain long hair.
- **ALWAYS USE SAFETY GLASSES.** Also use face or dust mask if cutting operation is dusty. Everyday eyeglasses only have impact resistant lenses, they are NOT safety glasses.
- **DON'T OVERREACH.** Keep proper footing and balance at all times.
- **MAINTAIN TOOLS WITH CARE.** Keep tools sharp and clean for best and safest performance. Follow instructions for changing accessories.
- **DISCONNECT TOOLS** before servicing; when changing accessories, such as blades, bits, cutters, and the like.
- **REDUCE THE RISK OF UNINTENTIONAL STARTING.** Make sure switch is in off position before plugging in.
- **USE RECOMMENDED ACCESSORIES.** Consult the instruction manual for recommended accessories. The use of improper accessories may cause risk of injury to persons.
- **NEVER STAND ON TOOL.** Serious injury could occur if the tool is tipped or if the cutting tool is unintentionally contacted.
- **CHECK DAMAGED PARTS.** Before further use of the tool, a guard

or other part that is damaged should be carefully checked to determine that it will operate properly and perform its intended function—check for alignment of moving parts, binding of moving parts, breakage of parts, mounting, and any other conditions that may affect its operation. A guard or other part that is damaged should be properly repaired or replaced.

- **NEVER LEAVE TOOL RUNNING UNATTENDED. TURN POWER OFF.** Don't leave tool until it comes to a complete stop.

Additional Safety Rules for Scroll Saws

- **MATERIAL HOLD-DOWN** must be properly set according to these instructions and remain in position during use.
- **NEVER** reach under the table when operating or make any adjustments when it is running.
- **SECURE** saw to work bench or stand with clamps or mounting hardware. Secure work bench or stand to floor.
- **DO NOT** use the upper arm as a lifting point.
- **MAKE SURE** blade tension is properly adjusted.
- **AVOID** awkward hand positions where a sudden slip could cause a hand to move into a saw blade or cutting tool. **DO NOT PLACE FINGERS OR HANDS IN PATH OF THE SAW BLADE.**
- **WHEN REMOVING** short workpieces, or cleaning up around the table, be sure the saw is in the OFF position and blade has stopped moving.
- **NEVER** turn the saw ON before clearing the table of all tools, wood scraps, etc., except the workpiece and related feed or support devices for the operation planned.
- **CHECK** for proper blade size and type.
- **DO NOT** attempt to saw stock that does not have a flat surface, unless a suitable support is used.
- **HOLD** material firmly against table and feed into blade teeth at a moderate speed.
- **TURN OFF** motor if the material resists being backed out of an uncompleted cut. Use appropriate speed for applications.
- **MAKE** "relief" cuts before cutting long curves.

- **⚠ CAUTION:** Some wood contains preservatives such as copper chromium arsenate (CCA) which can be toxic. When cutting these materials, extra care should be taken to avoid inhalation and to minimize skin contact.
- **USE** a dust mask and safety glasses when sawing.
- **KEEP GUARDS** in place and working order.
- **MAKE SURE** your fingers do not contact the terminals of the power cord when installing or removing the plug to or from the line power source.
- **NEVER** overfeed or force work into the blade.
- **⚠ WARNING:** Do not allow familiarity (gained from frequent use of your saw) to replace following safety rules. Always remember that a careless fraction of a second is sufficient to inflict severe injury.

⚠WARNING: Some dust created by power sanding, sawing, grinding, drilling, and other construction activities contains chemicals known to cause cancer, birth defects or other reproductive harm. Some examples of these chemicals are:

- lead from lead-based paints,
- crystalline silica from bricks and cement and other masonry products, and
- arsenic and chromium from chemically-treated lumber (CCA).

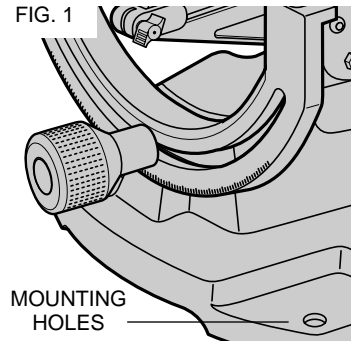
Your risk from these exposures varies, depending on how often you do this type of work. To reduce your exposure to these chemicals: work in a well ventilated area, and work with approved safety equipment, such as those dust masks that are specially designed to filter out microscopic particles.

SAVE THESE INSTRUCTIONS

Mounting

Three holes are provided in the base of the scroll saw to facilitate mounting to a table or bench (Figure 1). Always mount your saw firmly to prevent movement.

FIG. 1



Assembly

Your scroll saw comes fully assembled except for the table and blade. To install the table, first insert the pin at the back of the arm into the hole in the back of the table (Figure 2). Push the table until its back surface is flush against the arm and the pin is fully inserted in the table (Figure 3).

Using the hex wrench packed with your scroll saw, securely attach the table to the bevel scale by tightening the bolts shown in Figure 4.

Installing the Blade

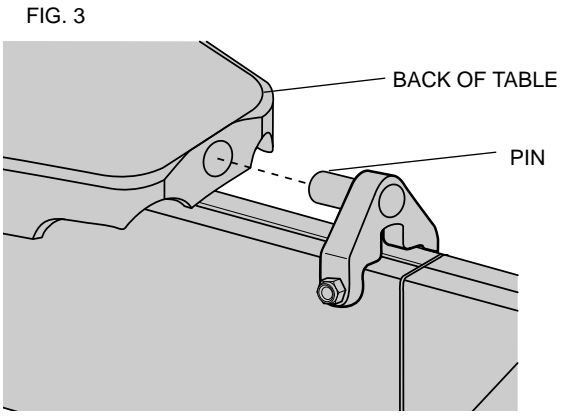
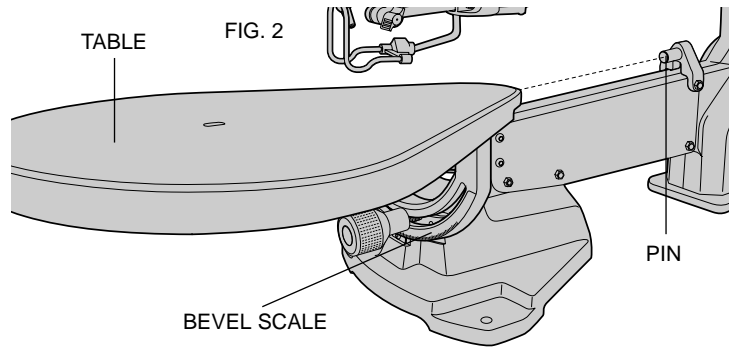
BEFORE INSTALLING A BLADE, UNPLUG THE SCROLL SAW.

The blade is held in place by the thumbscrew blade clamps attached to the top and bottom arms of the scroll saw (Figure 5).

Before installing a blade, make sure the blade tension lever is moved fully to the right as shown in Figure 6. Next, loosen, but do not unscrew, the top and bottom thumbscrews (Figure 5). Thread the blade through the hole in table, with the teeth facing toward the front of the saw. **NOTE:** Scroll saws cut on the downstroke, so it is essential that teeth face forward and down.

Insert the blade into the bottom blade clamp and securely tighten

English



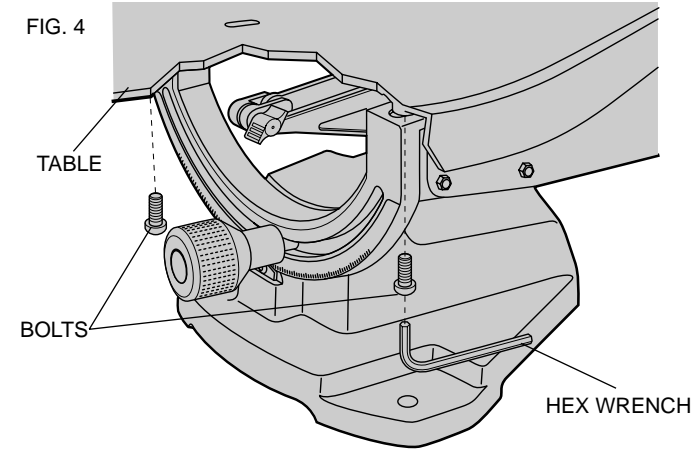
the thumbscrew. Next, insert the top of the blade into the top blade clamp and securely tighten the top thumbscrew. Properly adjust the tension of the blade before operating your scroll saw. (See: Blade Tension Lever section of this manual.)

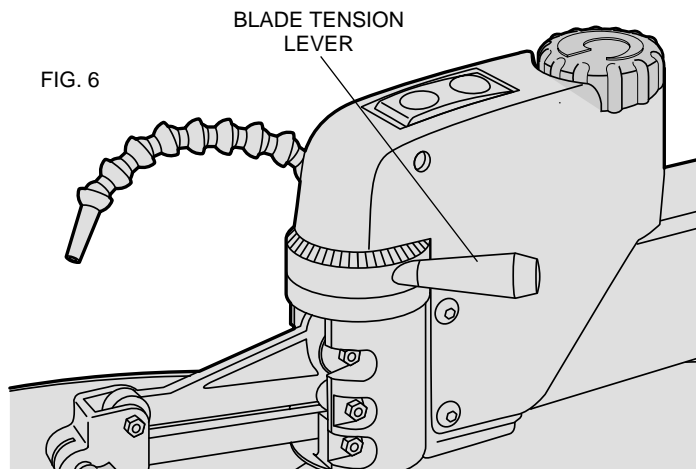
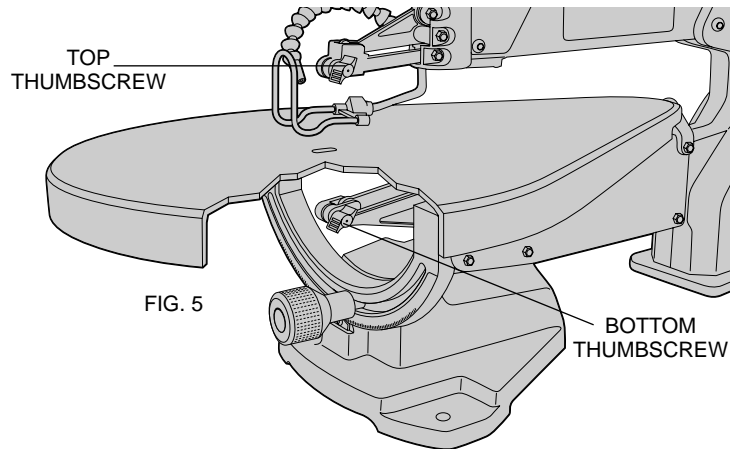
Blade Tension Lever

Move the blade tension lever (Figure 6) to the left to increase tension on the blade.
 The proper degree of tension varies with different blade sizes. If you are frequently breaking blades, decrease tension on the blade.
 As you become more accustomed to operating your scroll saw, you will become more proficient in fine-tuning blade tension. Practice on scrap material when possible.
 Remove the blade or release tension on the blade when not using your scroll saw for an extended period.

Material Hold-down

The material hold-down (Figure 7) should contact the surface of the





workpiece. To adjust the material hold-down, loosen the thumbscrew (Figure 7) and move the rod up or down. The material hold-down must be beveled when the table is beveled. To bevel the material hold-down, loosen the allen screw shown in Figure 7 and bevel the material hold-down until it is parallel to the table. Retighten the material hold-down before cutting.

NOTE: When cutting, ensure the material hold-down does not contact the bottom arm of the scroll saw. Your scroll saw has a maximum thickness capacity of 2". Do not cut material thicker than 2". NEVER remove the material hold-down since it also functions as a barrier between fingers and blade.

Air Hose

Your scroll saw features an adjustable air hose to keep your work area free from dust and debris. Be sure to position the air hose properly: it should blow saw dust away from the operator.

On/Off Switch

To turn the scroll saw on, press the front of the switch as shown in Figure 8. The saw locks on automatically. To turn the tool off, press the back of the switch. A hole is provided in the switch for insertion of a padlock to lock the saw off (Figure 8).

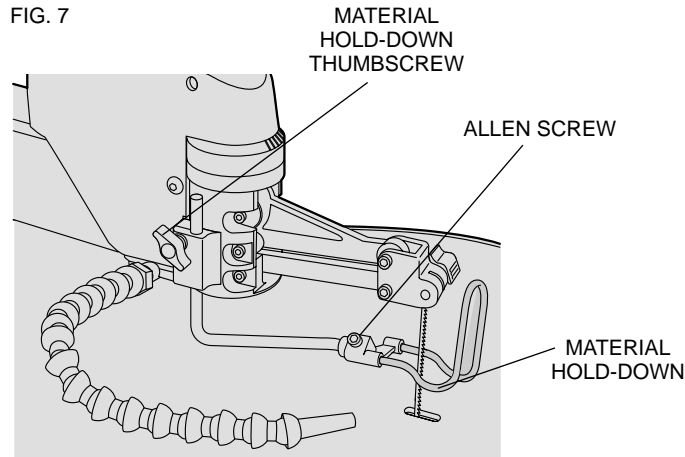
Speed Control Knob

Your scroll saw features a variable speed control, from 400 to 1,750 strokes per minute. To operate the variable speed feature, turn the speed control knob (Figure 8) with the saw running.

To increase the speed, turn the knob clockwise. The numbers on the speed control knob represent speed ranges. One is the minimum speed, 8 is the maximum speed.

Slower speeds are recommended for metals, plastics, harder woods and very thin materials.

English



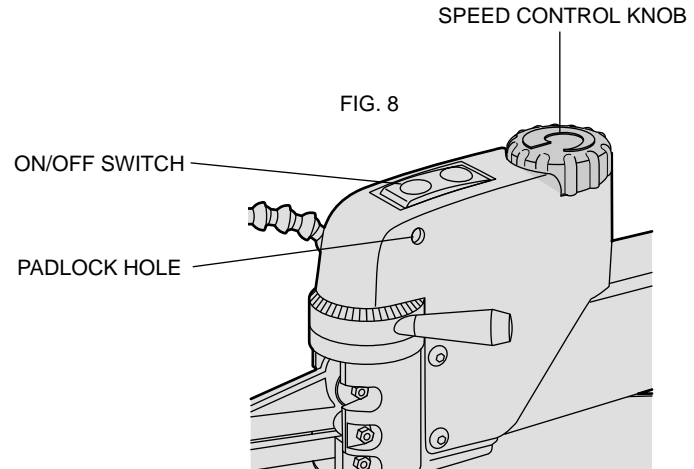
Sawing

Hold material firmly against table. Always feed material toward the blade. Feed the workpiece fast enough to allow the blade to cut, but do not force material into the blade too quickly.

Beveling

The table of your scroll saw bevels 45° left and right. A detent is set at 0°. To bevel the scroll saw table, loosen the bevel lock knob (Figure 9), and bevel the table to the desired setting, indicated by the bevel pointer.

NOTE: Before tilting the table for bevel cuts of 45°, check the clearance around the lower thumbscrew. To facilitate an accurate 45° cut the thumbscrew and setscrew may need to change places. On the setscrew side, sufficient clearance is available.



Fretwork

INSIDE CUTS

Your scroll saw is ideal for making inside cuts for detail work. To make an inside cut:

1. Drill a pilot hole in your workpiece.
2. Make sure the blade tension lever is moved fully to the right
3. Loosen the top thumbscrew blade clamp.
4. Leaving the blade held in place by the bottom blade clamp, lift the top arm of the scroll saw, as shown in Figure 10. Thread the saw blade through the pilot hole in your workpiece and reattach the blade by tightening the top thumbscrew.
5. Readjust the blade tension and begin the inside cut.

Alternately, you can loosen the bottom thumbscrew blade clamp in step 3 above, and thread the blade through the top of the workpiece.

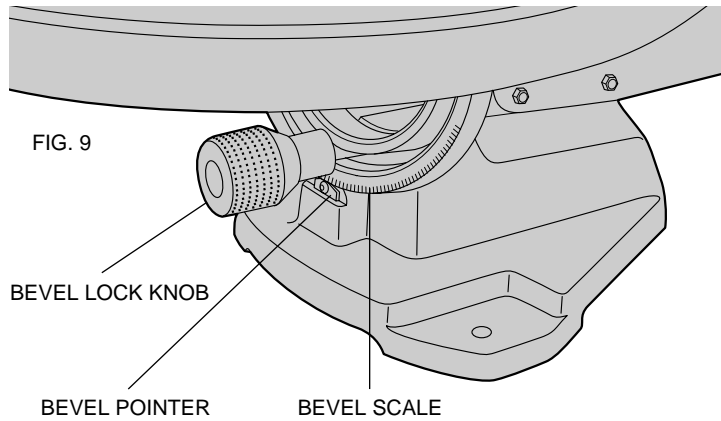
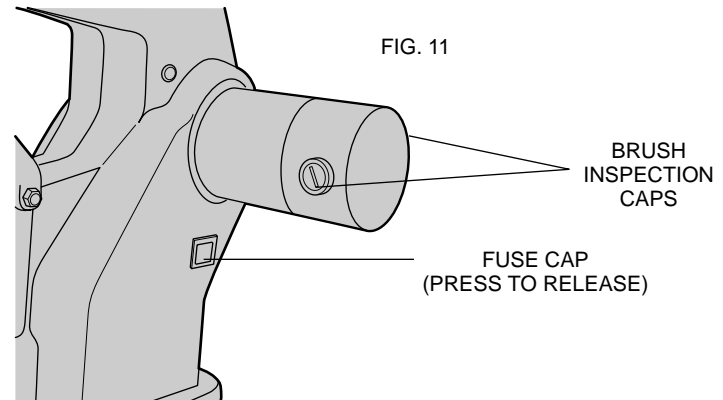
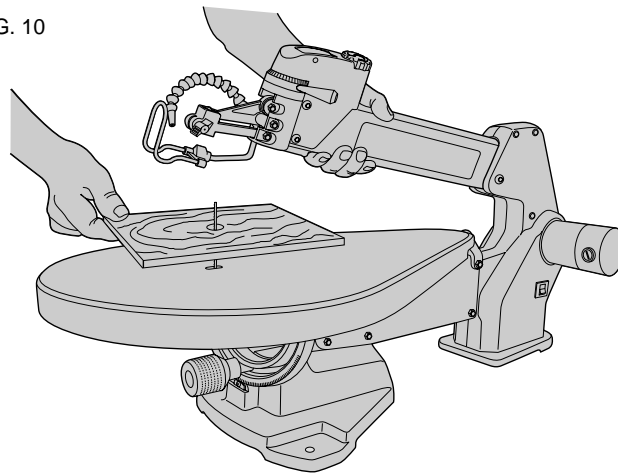


FIG. 10



NOTE: Do not lift saw by upper arm. Damage will occur.

Overload Protector

Your scroll saw is equipped with a 3 amp overload protection fuse. If your scroll saw becomes overloaded and stops operating, turn off the scroll saw, check for a blown fuse by removing the fuse cap (Figure 11). Your scroll saw uses fuse #3AG Fast Acting, 1 1/4" long x 1/4" diameter.

Maintenance

BRUSHES

Inspect carbon brushes regularly by unplugging tool, removing the brush inspection cap (Figure 11) and withdrawing the brush assembly. Keep brushes clean and sliding freely in their guides. Always replace a used brush in the same orientation in the holder as it was prior to its removal. If the brush is worn down to 3/8", it must be replaced. Use only identical DEWALT brushes. New brush assemblies are available

at Black & Decker service centers. The tool should be allowed to “run in” (run at no load) for 10 minutes before use to seat new brushes.

TABLE

Keep the table clean and free from oil, grease and pitch. Treat the table with paste wax to help maintain its smooth finish.

Accessories

Use only 5" plain end scroll saw blades. Recommended accessories for use with your tool are available at extra cost from your local dealer or authorized service center. If you need assistance in locating any accessory for your tool, contact:

DeWALT Industrial Tool Co., 701 East Joppa Road, Baltimore, MD
21286 1-800-4-DeWALT

CAUTION: The use of any other accessory not recommended for use with this tool could be hazardous.

Important

To assure product SAFETY and RELIABILITY, repairs, maintenance and adjustment (including brush inspection and replacement) should be performed by authorized service centers or other qualified service organizations, always using identical replacement parts.

Full Warranty

DeWALT heavy duty industrial tools are warranted for one year from date of purchase. We will repair, without charge, any defects due to faulty materials or workmanship. For warranty repair information, call 1-800-4-DeWALT. This warranty does not apply to accessories or damage caused where repairs have been made or attempted by others. This warranty gives you specific legal rights and you may have other rights which vary in certain states or provinces.

In addition to the warranty, DeWALT tools are covered by our:

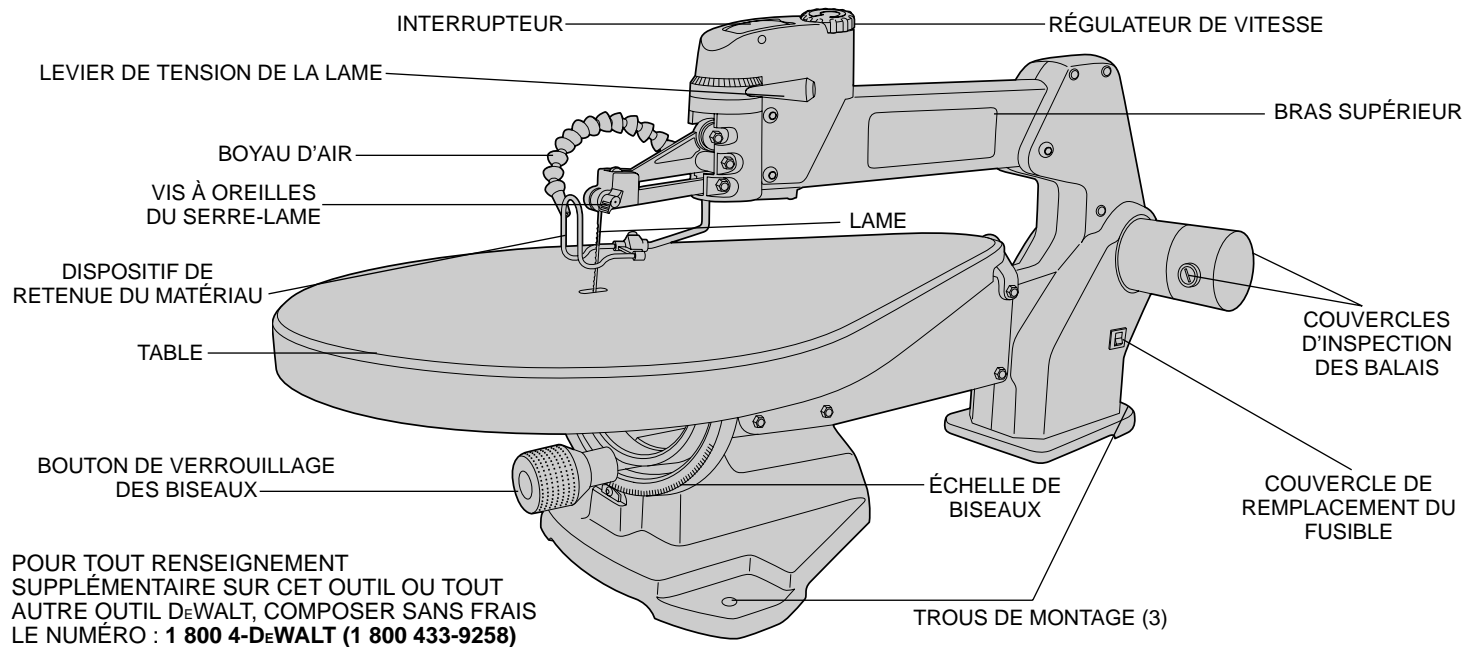
30 DAY NO RISK SATISFACTION GUARANTEE

If you are not completely satisfied with the performance of your DeWALT heavy duty industrial tool, simply return it to the participating seller within 30 days for a full refund. Please return the complete unit, transportation prepaid. Proof of purchase may be required.

See 'Tools-Electric'
– Yellow Pages –
for Service & Sales



⚠ AVERTISSEMENT : PAR MESURE DE SÉCURITÉ PERSONNELLE, LIRE LE GUIDE D'UTILISATION AVANT D'UTILISER LA SCIE. NE PAS PORTER DE GANTS, DE CRAVATE, DE BIJOUX NI DE VÊTEMENTS AMPLES. PROTÉGER LA CHEVELURE LORSQU'ELLE EST LONGUE. TOUJOURS PORTER DES LUNETTES DE SÉCURITÉ. INSTALLER LA LAME AVEC LES DENTS POINTANT VERS LE BAS ET VERS LA TABLE AVANT D'UTILISER LA SCIE. VÉRIFIER LE RÉGLAGE DU LEVIER DE TENSION DE LA LAME AVANT D'UTILISER LA SCIE. TOUJOURS RÉGLER LE DISPOSITIF DE RETENUE DE SORTE QU'IL EFFLEURE LE MATÉRIAU. ÉLOIGNER LES DOIGTS DE LA LAME. BIEN MAÎTRISER LA PIÈCE À OUVRER EN TOUT TEMPS. BIEN LA RETENIR CONTRE LA TABLE, NE JAMAIS RETIRER DES PIÈCES COINCÉES NI COUPÉES AVANT D'AVOIR MIS L'OUTIL HORS TENSION ET DE S'ÊTRE ASSURÉ DE L'IMMOBILISATION DE LA LAME. PROTÉGER DE LA PLUIE ET NE PAS UTILISER DANS DES ENDROITS HUMIDES. BIEN FIXER L'OUTIL AFIN D'EN ÉVITER DES MOUVEMENTS IMPRÉVUS. NE PAS SE SERVIR DE L'OUTIL APRES AVOIR CONSOMMÉ DE L'ALCOOL OU DES DROGUES. LE NON-RESPECT DU PRÉSENT AVERTISSEMENT COMPORTE DES RISQUES DE BLESSURES GRAVES.



Mise à la terre

En cas de mauvais fonctionnement ou de bris de l'outil, la mise à la terre procure un chemin de moindre résistance au courant électrique afin de minimiser les risques de secousses électriques. Le cordon de l'outil comporte un conducteur de terre et une fiche de mise à la terre. La fiche doit être branchée dans une prise de machine bien installée et mise à la terre conformément aux lois et règlements locaux. Ne pas modifier la fiche fournie. Lorsque la fiche n'entre pas dans la prise, demander à un électricien qualifié d'installer une prise appropriée.

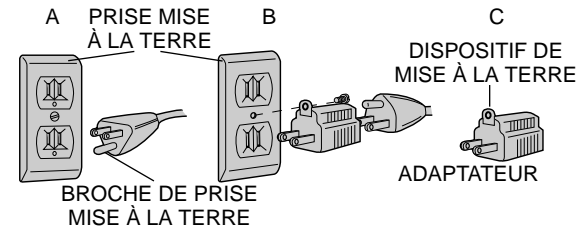
La mauvaise connexion du conducteur de terre de l'outil présente des risques de secousses électriques. Le conducteur dont l'isolant est vert ou vert avec des lignes jaunes constitue la mise à la terre. En cas de réparation ou de remplacement du cordon ou de la fiche, ne pas relier le conducteur de terre à une borne sous tension.

Consulter un électricien qualifié ou le personnel des centres de service au cas d'incompréhension des instructions relatives à la mise à la terre ou en cas de doute quant à la mise à la terre de l'outil.

Utiliser seulement des cordons de rallonge trifilaires dotés de fiche mise à la terre à trois broches, ainsi que des prises à 3 orifices acceptant la fiche de l'outil.

Réparer ou remplacer immédiatement les cordons endommagés ou usés.

L'outil est conçu pour être branché sur un circuit dont les prises ressemblent à celle illustrée à la figure A. L'outil comporte une fiche de terre qui ressemble à celle illustrée à la figure A. On peut se servir d'un adaptateur temporaire (comme celui des figures B et C) pour brancher la fiche dans une prise à 2 orifices (fig. B) lorsqu'il n'y a pas de prise mise à la terre. Il faut seulement se servir de l'adaptateur temporaire jusqu'à ce qu'un électricien certifié puisse installer une prise mise à la terre appropriée. Il faut alors relier l'oreille rigide, la cosse ou tout autre objet du genre de couleur verte à une mise à la terre permanente (comme à la boîte d'une prise bien mise à la terre).



Importantes mesures de sécurité

- **S'ASSURER QUE LES PROTECTEURS** sont en place et en bon état.
- **BIEN DÉGAGER LA SURFACE DE TRAVAIL.** Des surfaces et des établis encombrés peuvent être la cause de blessures.
- **TENIR COMPTE DU MILIEU DE TRAVAIL.** Protéger les outils électriques de la pluie. Ne pas s'en servir dans des endroits humides ou mouillés. Bien éclairer la surface de travail.
- **ÉLOIGNER LES ENFANTS.** Tous les visiteurs doivent être tenus à l'écart de l'aire de travail.
- **RENDRE L'ATELIER SÛR POUR LES ENFANTS** à l'aide de cadenas, de disjoncteurs, ou en retirant les clés de mise en tension.
- **NE JAMAIS FORCER L'OUTIL.** Afin d'obtenir un rendement sûr et efficace, utiliser l'outil à son rendement nominal.
- **UTILISER L'OUTIL APPROPRIÉ.** Ne jamais exiger d'un petit outil ou d'un accessoire le rendement d'un outil de fabrication plus robuste.
- **UTILISER DES CORDONS DE RALLONGE APPROPRIÉS.** S'assurer que le cordon de rallonge est en bon état. Lorsqu'on se sert d'un cordon de rallonge, s'assurer qu'il est de calibre approprié pour la tension nécessaire au fonctionnement de l'outil. L'utilisation

d'un cordon de calibre inférieur occasionne une baisse de tension entraînant une perte de puissance et la surchauffe. Le tableau suivant indique le calibre approprié selon la longueur du cordon et les mentions de la plaque signalétique de l'outil. En cas de doute, utiliser un cordon de calibre supérieur. Le chiffre indiquant le calibre est inversement proportionnel au calibre du cordon.

Calibre minimal des cordons de rallonge

Tension	Longueur totale du cordon en pieds			
	0-25	26-50	51-100	101-150
120 V	0-25	26-50	51-100	101-150
240 V	0-50	51-100	101-200	201-300
Intensité (A)		Calibre moyen de fil (AWG)		
Au moins	Au plus			
0	6	18	16	16
6	10	18	16	14
10	12	16	16	12
12	16	14	12	Non recommandé

- **CORDONS DE RALLONGE POUR L'EXTÉRIEUR.** Lorsque l'outil sert à l'extérieur, utiliser seulement des cordons de rallonge prévus à cet effet et portant la mention appropriée.
- **PORTER DES VÊTEMENTS APPROPRIÉS.** Éviter de porter des vêtements amples, des gants, des cravates, des bagues, des bracelets ou d'autres bijoux qui peuvent être happés par les pièces en mouvement. Le port des chaussures à semelle antidérapante est recommandé. Protéger la chevelure si elle est longue.
- **TOUJOURS PORTER DES LUNETTES DE SÉCURITÉ.** Porter également un masque respiratoire si le travail de coupe produit de la poussière. Des lunettes de correction de la vue standard comportent seulement des verres résistant aux chocs; ce NE sont PAS des lunettes de sécurité.
- **NE PAS DÉPASSER SA PORTÉE.** Toujours demeurer dans une position stable et garder son équilibre.
- **PRENDRE SOIN DES OUTILS.** Conserver les outils propres et affûtés pour qu'ils donnent un rendement supérieur et sûr. Suivre les directives relatives à la remplacement des accessoires.
- **DÉBRANCHER L'OUTIL** avant de le réparer ou d'en changer un accessoire (comme une lame, un foret ou un couteau).

- **MINIMISER LES RISQUES DE DÉMARRAGES ACCIDENTELS.** S'assurer que l'interrupteur est en position hors tension avant de brancher l'outil.
- **UTILISER LES ACCESSOIRES RECOMMANDÉS.** Consulter le guide d'utilisation afin de connaître les accessoires recommandés. L'utilisation d'accessoires inappropriés présente des risques de blessures.
- **NE JAMAIS SE TENIR SUR L'OUTIL.** Cela présente des risques de blessures graves si l'outil bascule ou si on touche à la lame par inadvertance.
- **VÉRIFIER LES PIÈCES ENDOMMAGÉES.** Avant de continuer à utiliser l'outil, il faut vérifier si le protecteur ou toute autre pièce endommagée remplit bien la fonction pour laquelle il a été prévu. Vérifier l'alignement et les attaches des pièces mobiles, le degré d'usure des pièces et leur montage, ainsi que tout autre facteur susceptible de nuire au bon fonctionnement de l'outil. Il faut réparer ou remplacer tout protecteur ou autre composant endommagé.
- **NE JAMAIS LAISSER UN OUTIL EN MARCHÉ SANS SURVEILLANCE. LE METTRE HORS TENSION.** Ne pas laisser l'outil avant l'immobilisation complète de la lame.

Mesures de sécurité additionnelles relatives aux scies à découper

- **LE DISPOSITIF DE RETENUE DU MATÉRIAU** doit être réglé conformément aux présentes directives et rester en place pendant l'utilisation.
- **NE JAMAIS** placer les mains sous l'outil en service ni régler l'outil qui fonctionne.
- **FIXER** la scie à un établi ou à un support à l'aide de brides ou de ferrures de montage. Fixer l'établi ou le support au sol.
- **NE PAS** se servir du bras supérieur pour soulever la scie.
- **S'ASSURER** que la tension de la lame est bien réglée.
- **ÉVITER** les positions bizarres des mains car un soudain manque d'équilibre pourrait projeter la main dans la trajectoire de la scie ou d'un autre outil de coupe. **NE PAS PLACER LES DOIGTS NI LES**

MAINS DANS LA TRAJECTOIRE DE LA LAME.

- **LORSQU'ON RETIRE** de petites pièces à ouvrir ou qu'on nettoie la table, s'assurer que la scie est en position d'ARRÊT et que la lame est immobilisée.
- **NE JAMAIS** mettre la scie EN MARCHÉ avant d'avoir libéré la table de tous les outils, bouts de bois inutiles, etc., à l'exception de la pièce à ouvrir et des dispositifs connexes d'alimentation ou de soutien nécessaires à la tâche.
- **VÉRIFIER** la dimension et le type de la lame.
- **NE PAS** découper un matériau qui n'a pas de surface plane à moins de le soutenir convenablement.
- **SOUTENIR** fermement le matériau contre la table et l'alimenter dans les dents de la lame à une vitesse modérée.
- **METTRE LE MOTEUR HORS TENSION** si on n'arrive pas à retirer le matériau d'une coupe incomplète. Couper à la vitesse appropriée à la tâche.
- **EFFECTUER** des coupes pour alléger le matériau avant de découper de longues courbes.
- **⚠ MISE EN GARDE** : Certaines essences de bois renferment des agents de conservation (comme de l'arséniate de cuivre et de chrome) qui peuvent être toxiques. Lorsqu'on doit couper de tels matériaux, prendre des mesures supplémentaires afin d'éviter d'inhaler les vapeurs toxiques et de minimiser les contacts avec la peau.
- **UTILISER** un masque respiratoire et des lunettes de sécurité lors de la coupe.
- **S'ASSURER QUE LES PROTECTEURS** sont en place et en bon état.
- **S'ASSURER** que les doigts ne sont pas en contact avec les bornes du cordon d'alimentation lorsqu'on branche la fiche dans la prise ou qu'on l'en débranche.
- **NE JAMAIS** forcer le matériau dans la lame.
- **⚠ AVERTISSEMENT** : Ne pas laisser l'habitude (acquise avec l'utilisation fréquente de la scie) remplacer les mesures de sécurité suivantes. Toujours se rappeler qu'une fraction de seconde d'inattention suffit à infliger de graves blessures.

⚠ AVERTISSEMENT : Certains outils, tels que les sableuses électriques, les scies, les meules, les perceuses ou certains autres outils de construction, peuvent soulever de la poussière contenant des produits chimiques susceptibles d'entraîner le cancer, des malformations congénitales ou pouvant être nocifs pour le système reproductif. Parmi ces produits chimiques, on retrouve :

- le plomb dans les peintures à base de plomb;
- la silice cristalline dans les briques et le ciment et autres produits de maçonnerie;
- l'arsenic et le chrome dans le bois de sciage ayant subi un traitement chimique (CCA).

Le risque associé à de telles expositions peut varier selon la fréquence avec laquelle on effectue ces travaux. Pour réduire l'exposition à de tels produits, il faut travailler dans un endroit bien ventilé et utiliser l'équipement de sécurité approprié tel un masque anti-poussières spécialement conçu pour filtrer les particules microscopiques.

CONSERVER CES MESURES.

Montage

Le socle de la scie à découper comporte trois trous afin d'en faciliter le montage sur une table ou un établi (fig. 1). Toujours monter fermement la scie afin d'en prévenir le mouvement.

Assemblage

La scie est complètement assemblée à l'exception de la table et de la lame. Pour installer la table, il faut d'abord insérer la tige qui se trouve à l'arrière du bras dans le trou qui se trouve à l'arrière de la table (fig. 2). Pousser la table jusqu'à ce que sa surface arrière repose contre le bras et que la tige est complètement insérée dans la table (fig. 3).

Se servir de la clé hexagonale fournie dans l'emballage pour fixer

FIG. 1

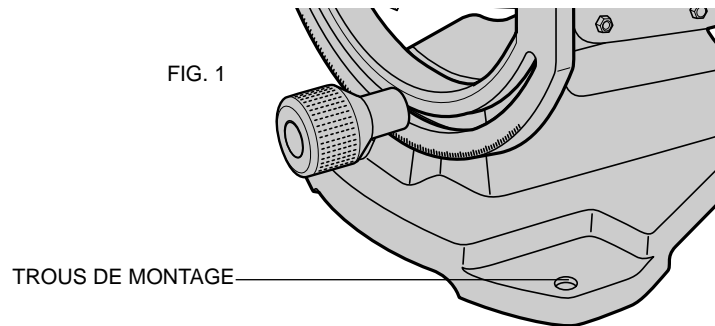


FIG. 2

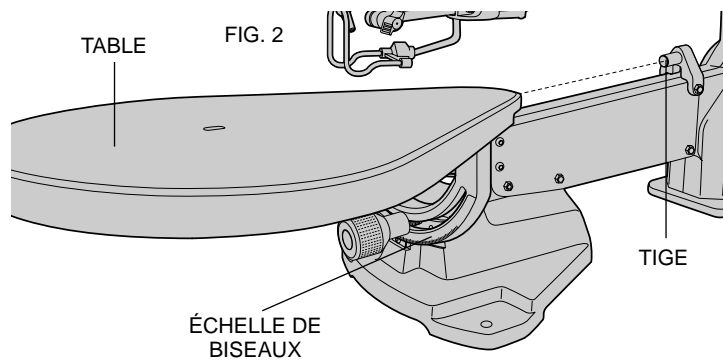
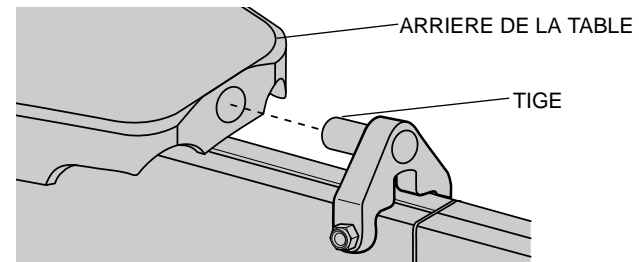


FIG. 3



sûrement la table à l'échelle de biseaux en serrant les boulons illustrés à la figure 4.

Installation de la lame

AVANT D'INSTALLER LA LAME, DÉBRANCHER LA SCIE À DÉCOUPER.

Les serre-lames avec vis à oreilles qui se trouvent sur les bras supérieur et inférieur de la scie à découper retiennent la lame en place (fig. 5).

Avant d'installer la lame, s'assurer que le levier de tension de la lame est complètement à droite, comme le montre la figure 6. Il faut ensuite desserrer, mais ne pas dévisser complètement, les vis à oreilles supérieure et inférieure (fig. 5). Passer la lame dans le trou de la table, en faisant pointer les dents de la lame vers l'avant de la scie. **NOTE** : Les scies à découper coupent dans la course descendante, il est donc essentiel de faire pointer les dents de la lame vers l'avant et vers le bas.

Insérer la lame dans le serre-lame inférieur et bien serrer la vis à oreilles inférieure. Ensuite, insérer le dessus de la lame dans le serre-lame supérieur et bien serrer la vis à oreilles supérieure.

Bien régler la tension de la lame avant de se servir de la scie à

découper. (Consulter la rubrique relative à la tension de la lame du présent guide.)

Levier de tension de la lame

Déplacer le levier de tension de la lame (fig. 6) vers la gauche afin d'augmenter la tension de la lame.

La tension appropriée dépend de la dimension de la lame. Les lames fines nécessitent plus de tension; les plus grosses, moins. Lorsque les lames cassent souvent, diminuer la tension de la lame.

Lorsqu'on connaît bien le fonctionnement de la scie à découper, il est plus facile de régler précisément la tension de la lame. Pratiquer sur des échantillons lorsque c'est possible.

Retirer la lame ou dégager la tension de la lame lorsqu'on ne se sert pas de la lame pendant de longues périodes.

Français

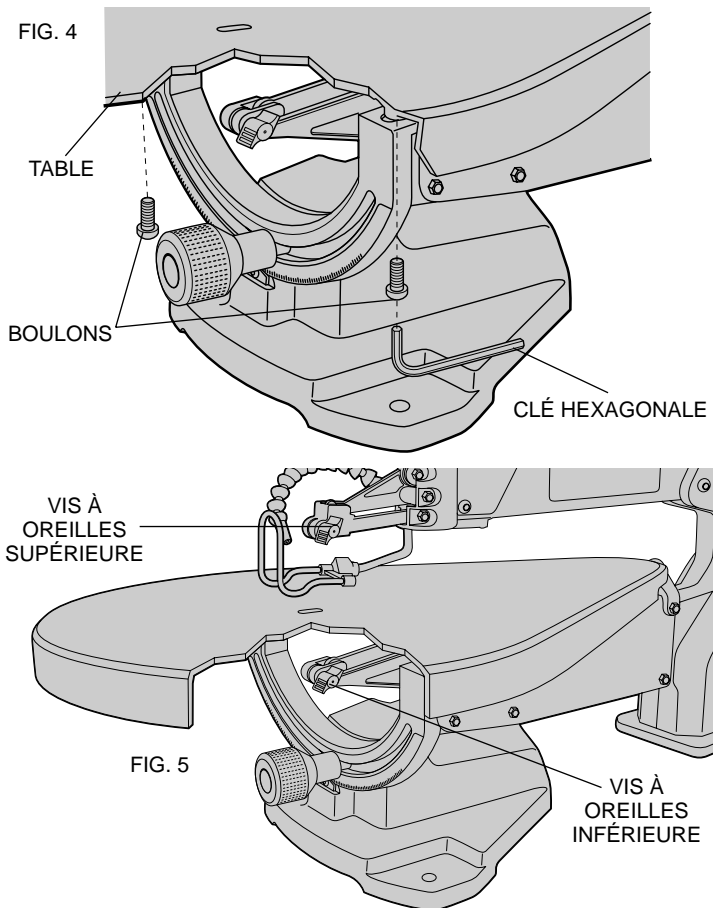
Dispositif de retenue du matériau

Le dispositif de retenue du matériau (fig. 7) devrait toucher la surface de la pièce à ouvrir. Pour régler le dispositif de retenue, desserrer la vis à oreilles (fig. 7) et l'abaisser ou la soulever. Le dispositif de retenue doit être incliné lorsque la table l'est. Pour incliner le dispositif de retenue, desserrer la vis à six pans illustrée à la figure 7 et incliner le dispositif de retenue jusqu'à ce qu'il soit parallèle à la table. Resserrer le dispositif de retenue avant la coupe.

NOTE : Lors de la coupe, s'assurer que le dispositif de retenue ne touche pas au bras inférieur de la scie à découper. Celle-ci accepte une épaisseur maximale de 50 mm (2 po). Ne pas découper un matériau ayant plus de 50 mm (2 po) d'épaisseur. **NE JAMAIS** retirer le dispositif de retenue du matériau puisqu'il sert également de barrière entre les doigts et la lame.

Boyau d'air

La scie à découper comporte un boyau d'air réglable permettant d'éliminer les poussières et les débris de la surface de travail. Bien



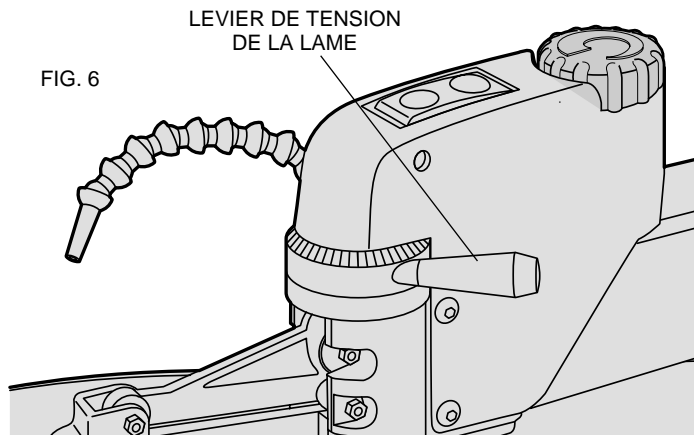
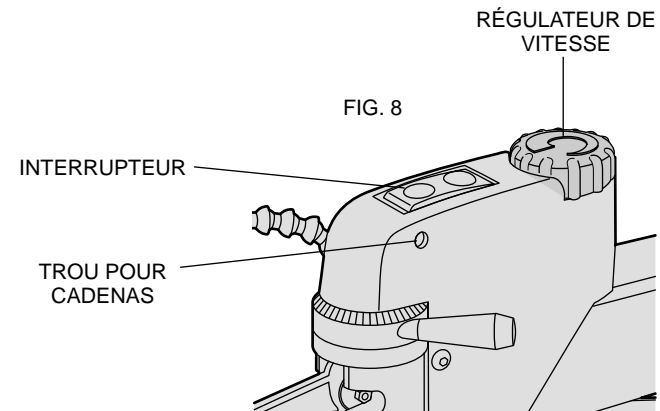
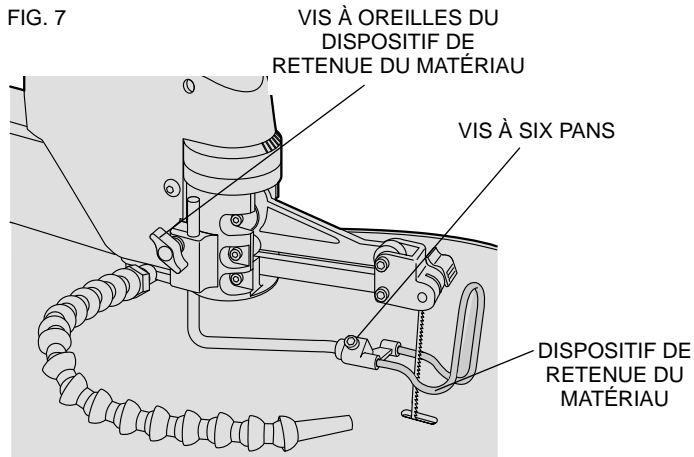


FIG. 7



placer le boyau d'air; il devrait souffler la poussière dans une direction opposée à l'utilisateur.

Interrupteur

Pour mettre la scie à découper en marche, appuyer sur l'avant de l'interrupteur comme le montre la figure 8. La scie se verrouille automatiquement en position de marche. Pour arrêter l'outil, appuyer sur l'arrière de l'interrupteur. L'interrupteur comporte un trou afin d'y insérer un cadenas pour verrouiller la scie en position d'arrêt (fig. 8).

Régulateur de vitesse

La scie à découper est munie d'un régulateur de vitesse (de 400 à 1 750 courses à la minute). Pour actionner le mécanisme, faire tourner le régulateur de vitesse (fig. 8) lorsque la scie fonctionne.

Pour augmenter la vitesse, faire tourner le régulateur dans le sens horaire. Les chiffres apparaissant sur le régulateur de vitesse représentent des gammes de vitesses. Le chiffre 1 correspond à la vitesse minimale; 8, à la vitesse maximale.

Il est conseillé d'utiliser les basses vitesses pour découper des métaux, des plastiques, des feuillus et des matériaux très minces.

Coupe

Retenir le matériau fermement contre la table. Toujours alimenter le matériau vers la lame. Alimenter la pièce à ouvrir assez rapidement pour permettre à la lame de découper mais ne pas forcer le matériau dans la lame trop vite.

Coupe en biseau

La table de la scie à découper permet d'effectuer des coupes en biseau à 45° à gauche et à droite. Il y a une détente à 0°. Pour incliner la table de la scie à découper, desserrer le bouton de verrouillage des biseaux (fig. 9), et incliner la table à l'angle voulu (indiqué par l'indicateur de biseau).

Découpage

COUPES INTÉRIEURES

La scie à découper convient parfaitement pour faire des coupes intérieures pour des travaux de détail. Voici comment faire une coupe intérieure.

1. Percer un trou de guidage dans la pièce à ouvrir.
2. S'assurer que le levier de tension de la lame est complètement à droite.
3. Desserrer la vis à oreilles du serre-lame supérieur.
4. Laisser la lame retenue seulement par le serre-lame inférieur, soulever le bras supérieur de la scie à découper, comme le montre la figure 10. Passer la lame dans le trou de guidage de la pièce à ouvrir et réinstaller la lame en resserrant la vis à oreilles supérieure.
5. Régler de nouveau la tension de la lame et commencer la coupe intérieure.

Comme solution de rechange, on peut desserrer le serre-lame

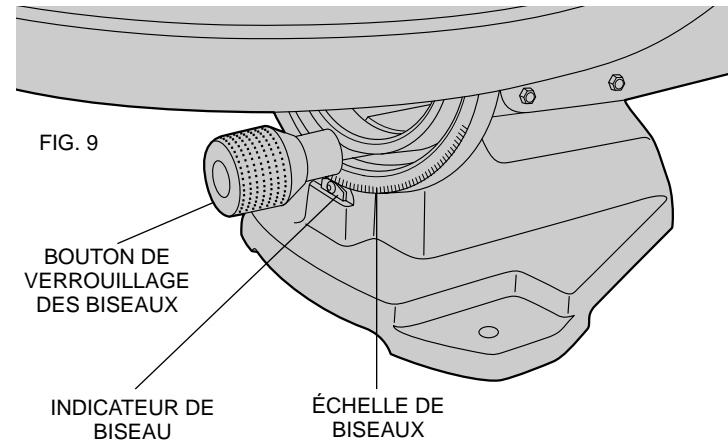
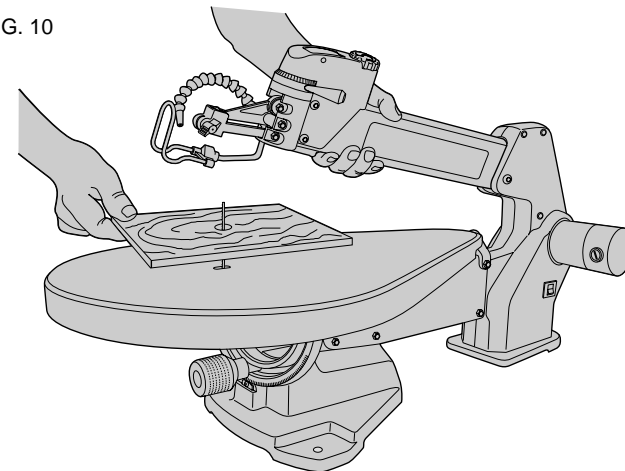
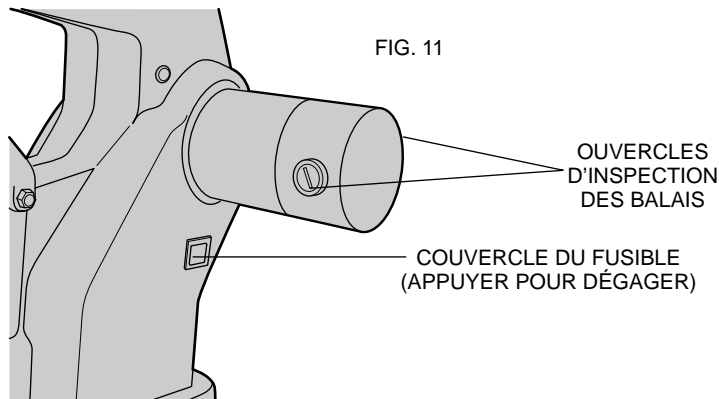


FIG. 10





inférieur à l'étape 3 précédente et passer la lame à travers le dessus de la pièce à ouvrir.

NOTE : Ne pas soulever la scie en saisissant le bras supérieur, au risque de l'endommager.

Limiteur de surcharge

La scie à découper est dotée d'un fusible de protection contre les surcharges de 3 A. En cas de surcharge et d'arrêt de la scie à découper, mettre la scie à découper hors tension et vérifier si le fusible a sauté en retirant le couvercle du fusible (fig. 11). Il faut utiliser un fusible mod. n° 3AG, à action rapide, de 31,7 mm (1 1/4 po) de longueur et de 6,3 mm (1/4 po) de diamètre, avec la scie à découper.

Entretien

BALAIS

Inspecter régulièrement les balais de carbone en débranchant d'abord la scie, en retirant le couvercle d'inspection des balais

(fig. 11) et en sortant l'assemblage balais. S'assurer que les balais sont propres et qu'ils glissent bien dans leurs guides. Toujours remplacer les balais usés par des balais placés dans le même sens dans le porte-balais. Lorsque le balai est usé jusqu'à 10 mm (3/8 po), il faut le remplacer. N'utiliser que des balais de rechange identiques DeWALT. On peut se procurer des balais de rechange aux centres de service Black & Decker. Il faut laisser l'outil fonctionner à vide (sans charge) pendant dix minutes avant de l'utiliser afin de permettre aux nouveaux balais de s'installer.

TABLE

S'assurer que la table est toujours propre et libre de toute tache d'huile, de graisse et de goudron. Traiter la table avec de la cire en pâte afin d'en conserver le fini satiné.

Accessoires

Les accessoires recommandés pour l'outil sont vendus séparément chez les détaillants et au centre de service autorisé de la région. Pour trouver un accessoire, prière de communiquer à l'adresse suivante ou composer le numéro suivant.

DeWALT Industrial Tool Co., 701 East Joppa Road, Baltimore, MD 21286 É.-U.E. 1 (800) 4-DeWALT (433-9258)

⚠ MISE EN GARDE : L'utilisation de tout accessoire non recommandé peut être dangereuse.

Important

Pour assurer la SÉCURITÉ D'EMPLOI et la FIABILITÉ de l'outil, n'en confier la réparation, l'entretien et les rajustements (y compris l'inspection et le remplacement des balais) qu'au personnel d'un centre de service DeWALT ou d'un atelier d'entretien autorisé n'utilisant que des pièces de rechange identiques.

Garantie complète

Les outils industriels de service intensif DeWALT sont garantis

pendant un an à partir de la date d'achat. Toute pièce d'un outil D_EWALT qui s'avérait défectueuse en raison d'un vice de matière ou de fabrication sera réparée ou remplacée sans frais. Pour obtenir de plus amples renseignements sur les réparations couvertes par la garantie, composer le 1 (800) 4-D_EWALT (! (800) 433-9258). La garantie ne couvre pas les accessoires ni les réparations tentées ou effectuées par des tiers. Les modalités de la présente garantie donnent des droits légaux spécifiques. L'utilisateur peut également se prévaloir d'autres droits selon l'état ou la province qu'il habite.

En outre, la garantie suivante couvre les outils D_EWALT.

GARANTIE DE SATISFACTION DE 30 JOURS OU ARGENT REMIS

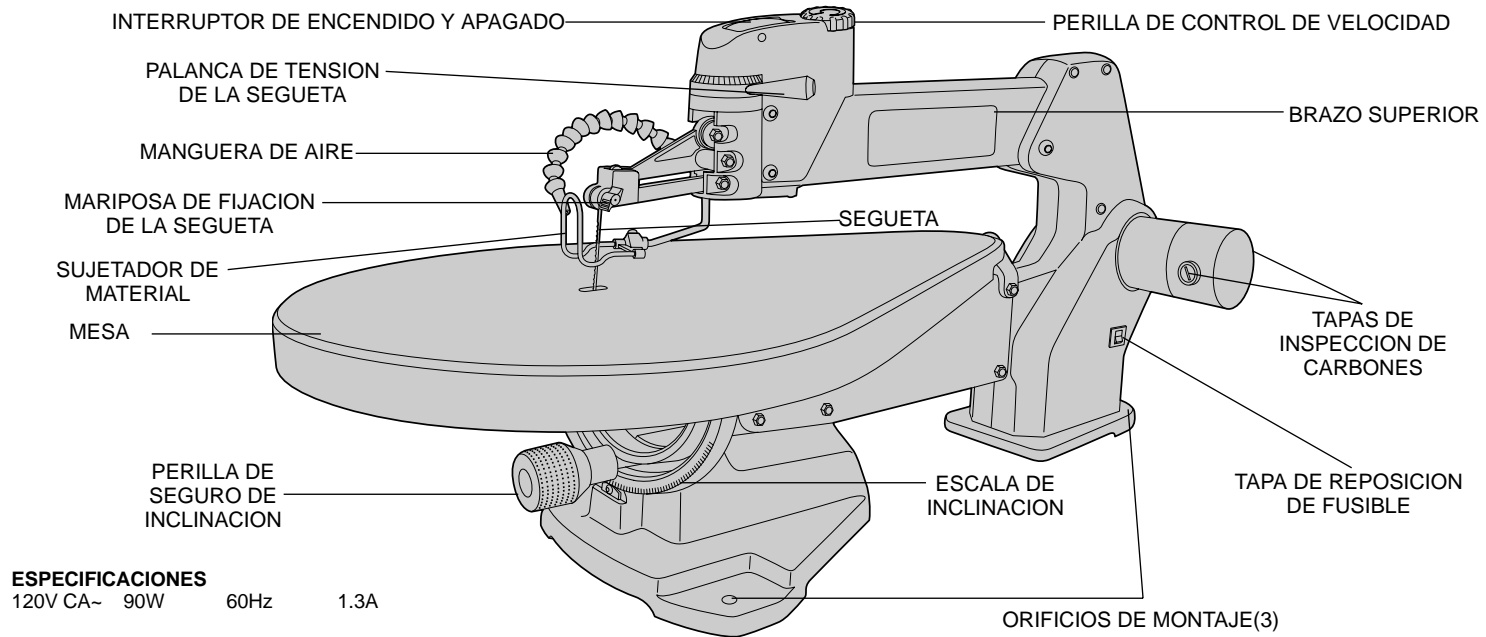
Si, pour quelque raison que ce soit, l'outil industriel de service intensif D_EWALT ne donne pas entière satisfaction, il suffit de le retourner chez le marchand participant dans les 30 jours suivant la date d'achat afin d'obtenir un remboursement complet. Il faut retourner, port payé, l'outil complet. On peut exiger une preuve d'achat.

Français

Voir la rubrique "Outils électriques"
des Pages Jaunes
pour le service et les ventes.



⚠ ADVERTENCIA: POR SU PROPIA SEGURIDAD, LEA EL MANUAL DE INSTRUCCIONES ANTES DE OPERAR LA SIERRA • NO UTILICE GUANTES, CORBATA, JOYAS O PRENDAS DE VESTIR FLOJAS • PROTEJASE EL CABELLO SI LO TIENE LARGO • UTILICE SIEMPRE PROTECCION PARA LOS OJOS • INSTALE LA SEGUETA CON LOS DIENTES APUNTANDO HACIA ABAJO Y HACIA LA MESA ANTES DE OPERAR LA SIERRA • CONSERVE LA TENSION DE LA SEGUETA APROPIADAMENTE Y LA GUARDA ANTES DE OPERAR LA SIERRA • SIEMPRE AJUSTE EL SUJETADOR DE MATERIAL DE MANERA QUE LIBRE APENAS LA PIEZA DE TRABAJO • CONSERVE LOS DEDOS A DISTANCIA SEGURA DE LA SEGUETA • CONSERVE SIEMPRE EL CONTROL DE LA PIEZA DE TRABAJO - SUJETELA CON FIRMEZA CONTRA LA MESA • NUNCA RETIRE PIEZAS ATASCADAS NI DESPRENDIDAS HASTA HABER APAGADO LA SIERRA Y DESPUES QUE LA SEGUETA SE HAYA DETENIDO • NO SE EXPONGA A LA LLUVIA NI SE UTILICE EN LUGARES INUNDADOS • ASEGURE LA HERRAMIENTA DE MANERA APROPIADA PARA EVITAR MOVIMIENTOS INESPERADOS • NO OPERE ESTA MAQUINA BAJO LA INFLUENCIA DEL ALCOHOL U OTRAS DROGAS • NO SEGUIR ESTAS ADVERTENCIAS PUEDE OCASIONAR LESIONES PERSONALES DE GRAVEDAD.



⚠ ADVERTENCIA: Por su propia seguridad lea el manual de instrucciones antes de operar la herramienta.

Instrucciones de conexión a tierra

En el caso de mal funcionamiento, la tierra proporciona una vía de menor resistencia a la corriente eléctrica para reducir el riesgo de choque eléctrico. Esta herramienta está equipada con un cable eléctrico con un conductor a tierra y pata de aterrizaje. La clavija debe conectarse a una toma de corriente instalada correctamente y aterrizada de conformidad con todos los reglamentos locales. No modifique la clavija, si no se ajusta a la toma de corriente, haga que un electricista calificado le instale una toma adecuada.

La conexión incorrecta del conductor a tierra del equipo puede originar riesgos de choque eléctrico. El conductor cuyo aislamiento es de color verde con o sin franjas amarillas es el conductor a tierra del equipo. Si se requiere reparación o cambio del cable eléctrico o la clavija, no conecte el conductor a tierra a una terminal viva.

Consulte con un electricista si no comprende perfectamente las instrucciones de aterrizaje, o si tiene dudas acerca de la conexión a tierra de su equipo.

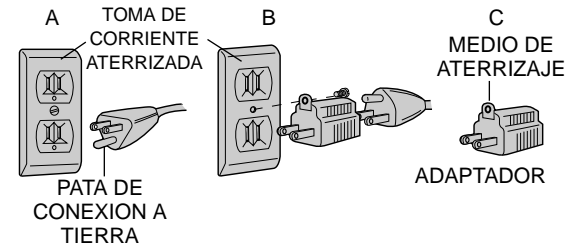
Utilice solamente extensiones de tres cables que tengan clavijas de tres patas y tomas de corriente de tres polos que acepten la clavija de la herramienta.

Repare o reemplace inmediatamente los cables dañados o desgastados.

Esta herramienta está diseñada para utilizarse en circuitos que tengan una toma de corriente similar a la ilustrada en la figura A. Se puede utilizar un adaptador temporal, que se parece al mostrado en las figuras B y C, para conectar esta clavija a una toma de corriente de dos polos como se observa en la figura B si no dispone de una toma aterrizada. Solamente debe utilizar el adaptador temporal hasta que un electricista le instale una toma apropiada.

La oreja, lengüeta, o similar de color verde que se extiende del

adaptador debe conectarse a tierra permanente, como una toma de corriente aterrizada.



Instrucciones importantes de seguridad

- **CONSERVE LAS GUARDAS EN SU SITIO** y listas para trabajar.
- **CONSERVE LIMPIA EL AREA DE TRABAJO.** Las áreas y bancos con objetos acumulados en desorden propician los accidentes.
- **NO SE EMPLEE EN AMBIENTES PELIGROSOS.** No utilice herramientas eléctricas en lugares inundados o mojados, ni las exponga a la lluvia. Conserve bien iluminada el área de trabajo.
- **CONSERVE APARTADOS A LOS NIÑOS.** Todos los visitantes deben permanecer a distancia segura de la zona de trabajo.
- **HAGA SU TALLER A PRUEBA DE NIÑOS** con candados, interruptores maestros y retirando las llaves de encendido.
- **NO FUERCE LA HERRAMIENTA.** Esta cumplirá mejor con su trabajo y de manera más segura bajo las especificaciones para las que se diseñó.
- **EMPLEE LA HERRAMIENTA ADECUADA.** No fuerce una herramienta o sus dispositivos en una tarea para los que no han sido diseñados.
- **UTILICE UN CABLE DE EXTENSION ADECUADO.** Asegúrese que su extensión esté en buenas condiciones. Cuando utilice una extensión, asegúrese de emplear una que soporte la corriente que su herramienta necesita. Una extensión con calibre insuficiente provocará una caída en el voltaje de la línea, ocasionando pérdida

de potencia y sobrecalentamiento. El cuadro siguiente muestra el calibre correcto a utilizarse de acuerdo con la longitud y el amperaje indicado en la placa de identificación. Si tiene dudas, utilice el calibre siguiente. Mientras más pequeño sea el número del calibre, mayor será su capacidad.

Volts		Calibre mínimo para cordones de extensión			
		Longitud total del cordón en metros			
120V		0-7,6	7,6-15,2	15,2-30,4	30,4-45,7
240V		0-15,2	15,2-30,4	30,4-60,9	60,9-91,4
AMPERAJE		Calibre del cordón AWG			
Más de	No más de				
0	-	6	18	16	14
6	-	10	18	16	12
10	-	12	16	16	12
12	-	16-	14	12	No recomendado

- **CORDONES DE EXTENSION PARA INTEMPERIE.** Cuando utilice la herramienta a la intemperie, solamente utilice extensiones diseñadas para ello y así marcadas.
- **VISTA LAS PRENDAS ADECUADAS.** No utilice prendas de vestir flojas, guantes, corbatas, anillos, brazaletes ni otras piezas de joyería que pudiesen quedar atrapadas en las partes móviles. Se recomienda el empleo de calzado antiderrapante. Cúbrase el cabello si lo tiene largo.
- **SIEMPRE UTILICE GAFAS DE SEGURIDAD.** También utilice una máscara contra polvo si la operación a efectuar lo produce. Los anteojos de uso diario solamente tienen lentes resistentes al impacto, NO SON anteojos de seguridad.
- **NO SE SOBREEXTIENDA.** Conserve siempre bien apoyados los pies, lo mismo que el equilibrio.
- **CUIDE SUS HERRAMIENTAS.** Conserve sus herramientas afiladas y limpias para que funcionen mejor y de manera más segura. Siga las instrucciones de cambio de accesorios.
- **DESCONECTE LA HERRAMIENTAS** antes de efectuarles servicio y cuando les cambie accesorios, como cuchillas, brocas y similares.
- **REDUZCA EL RIESGO DE ENCENDIDO ACCIDENTAL.**

Asegúrese que el interruptor esté en posición de apagado antes de conectar la herramienta.

- **UTILICE LOS ACCESORIOS RECOMENDADOS.** Busque en el manual de instrucciones los accesorios recomendados. El uso de accesorios inadecuados puede causar riesgos de lesiones.
- **NUNCA SE PARE EN LA HERRAMIENTA.** Puede provocarse lesiones graves si la herramienta se vuelca o si hace contacto accidental con la herramienta de corte.
- **REVISE LAS PARTES DAÑADAS.** Antes de seguir utilizando la herramienta, debe revisar cuidadosamente una guarda o cualquier otra pieza que esté dañada para determinar si cumplirá adecuadamente con su función; revise la alineación de las piezas móviles, sus montajes, ruptura de partes y cualesquiera otras condiciones que pudiesen afectar su operación. Repare o reemplace las piezas dañadas.
- **NUNCA DEJE LA HERRAMIENTA EN FUNCIONAMIENTO Y DESATENDIDA. APAGUELA.** No deje la herramienta hasta que se haya detenido por completo.

Instrucciones adicionales de seguridad para sierras caladoras

- **EL SUJETADOR DE MATERIAL** debe ajustarse correctamente de acuerdo a estas instrucciones y debe permanecer en esta posición durante el uso.
- **NUNCA** coloque las manos por debajo de la mesa ni haga ajustes cuando la sierra este en operación.
- **ASEGURE** la sierra a su mesa de trabajo con prensas u otros medios. Asegure la mesa de trabajo al piso.
- **NO** utilice el brazo superior para levantar la sierra.
- **ASEGURESE** que la tensión de la segueta se ajustó correctamente.
- **EVITE** posiciones irregulares de las manos en las que un resbalón pudiese causar que se muevan hacia la segueta. **NO COLOQUE LOS DEDOS O LAS MANOS EN EL CAMINO DE LA SEGUETA.**

- **CUANDO RETIRE** piezas pequeñas o limpie la mesa, asegúrese que la sierra esté APAGADA y que la segueta ha dejado de moverse.
 - **NUNCA ENCIENDA** la sierra antes de limpiar la mesa con excepción de la pieza de trabajo y los instrumentos necesarios para la operación planeada.
 - **VERIFIQUE** que la segueta sea del tipo y tamaño adecuados.
 - **NO** intente cortar piezas que no tengan una superficie plana, a menos que utilice algún medio de soporte.
 - **SUJETE** el material con firmeza contra la mesa y aváncelo hacia los dientes de la segueta a velocidad moderada.
 - **APAGUE** el motor si el material se resiste a salir después de un corte incompleto. Utilice la velocidad adecuada para su aplicación.
 - **HAGA** cortes de salida antes de cortar curvas pronunciadas.
 - **PRECAUCION:** algunos tipos de madera contienen conservadores como el arsenato cúprico de cromo (CCA) que pueden ser tóxicos. Cuando corte estos materiales, tenga precaución extrema para evitar la inhalación de estas sustancias y minimizar el contacto con la piel.
 - **UTILICE** una mascarilla contra el polvo y gafas de seguridad cuando corte.
 - **CONSERVE LAS GUARDAS** en su sitio listas para funcionar.
 - **ASEGURESE** que sus dedos no toquen las terminales del cable de alimentación cuando conecte o desconecte la clavija a o de la línea de alimentación.
 - **NUNCA** fuerce la pieza de trabajo hacia la segueta.
 - **ADVERTENCIA:** no permita que la familiaridad (ganada con el uso frecuente de su sierra) reemplace las reglas de seguridad. Recuerde siempre que un descuido de una fracción de segundo es suficiente para ocasionar una lesión de gravedad.
- △ADVERTENCIA : Parte del polvo creado al lijar, aserruchar, moler o perforar con máquina, así como al realizar otras actividades de la construcción, contiene sustancias químicas que se sabe producen cáncer, defectos congénitos u otras afecciones reproductivas. Algunos

ejemplos de esas sustancias químicas son:

- plomo de pinturas a base de plomo,
- sílice cristalizado de ladrillos y cemento y otros productos de albañilería, y
- arsénico y cromo de la madera químicamente tratada (CCA).

El riesgo al contacto con estas sustancias varía, según la frecuencia en que se haga este tipo de trabajo. Para reducir la exposición a esas sustancias químicas: trabaje en un área bien ventilada, y trabaje con equipos de seguridad aprobados, tales como máscaras contra el polvo especialmente diseñadas para filtrar las partículas microscópicas.

CONSERVE ESTAS INSTRUCCIONES

Montaje

La sierra cuenta con tres unos orificios en la base para facilitar su montaje a un mesa o un banco (figura 1). Monte firmemente la sierra para evitar movimientos.

Ensamblaje

Su sierra viene completamente ensamblada excepto por la mesa y la segueta. Para instalar la mesa, inserte primero el perno que se encuentra en la parte posterior del brazo en la parte trasera de la mesa (figura 2). Empuje la mesa hasta que la superficie posterior quede al ras del brazo y el perno se haya insertado completamente en la mesa (figura 3).

Ayudándose con la llave hexagonal que viene empacada con su sierra, una la mesa a la escala de inclinación apretando los tornillos que se ilustran en la figura 4.

Instalación de la segueta

ANTES DE INSTALAR LA SEGUETA, DESCONECTE LA SIERRA CALADORA.

La segueta se sujeta en su posición por medio de los sujetadores

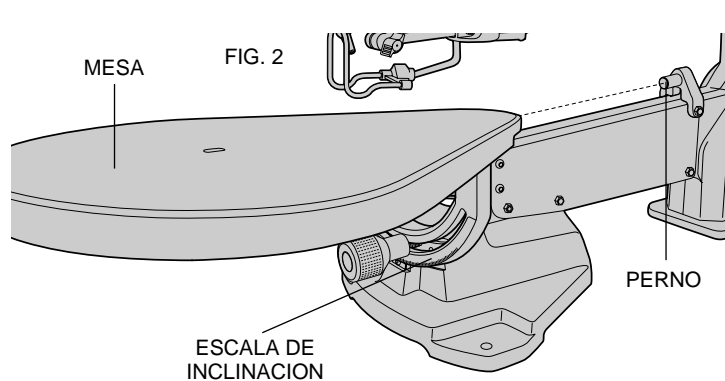
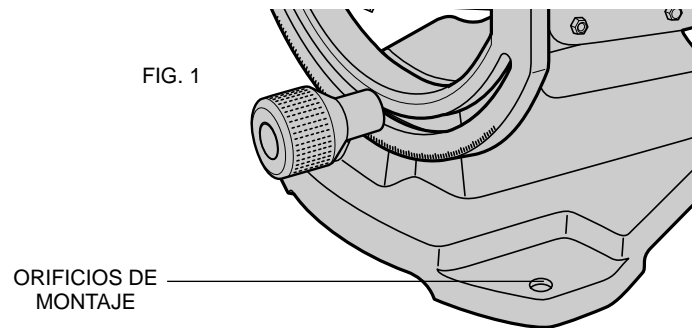
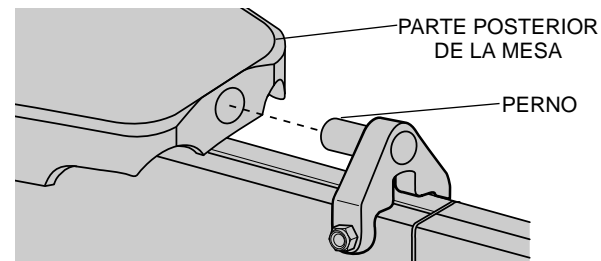


FIG. 3



de mariposa que van en los brazos superior e inferior de la sierra (figura 5).

Antes de instalar una segueta, asegúrese que la palanca de tensión de la segueta se haya movido completamente hacia la derecha, como se observa en la figura 6. A continuación afloje, pero no destornille, las mariposas superior e inferior (figura 5). Enrosque la segueta a través del orificio de la mesa, con los dientes apuntando hacia el frente de la sierra. **NOTA:** Las sierras caladoras cortan al momento de bajar, de manera que es esencial que los dientes apunten hacia adelante y hacia abajo.

Inserte la segueta en el sujetador inferior y apriete firmemente la mariposa. A continuación, inserte la parte superior de la segueta en el sujetador superior y apriete con firmeza la mariposa.

Ajuste apropiadamente la tensión de la segueta antes de operar su sierra. (Consulte la sección: Palanca de tensión de la segueta más adelante en este manual.)

Palanca de tensión de la segueta

Mueva la palanca de tensión de la segueta (figura 6) hacia la izquierda para aumentar la tensión de ésta

El grado apropiado de tensión varía con el tamaño de las seguetas.

Las seguetas más finas requieren más tensión, mientras que las seguetas más gruesas requieren menos. Si usted rompe las seguetas con frecuencia, disminuya la tensión.

Al acostumbrarse a operar su sierra caladora, usted se volverá más sensible en cuanto al ajuste de la tensión de las seguetas. Siempre que sea posible practique con material de desperdicio.

Remueva la sequeta o baje la tensión cuando no vaya a utilizar su sierra por un periodo largo .

Sujetador de material

El sujetador de material (figura 7) debe hacer contacto con la pieza de trabajo. Para ajustar el sujetador de material, afloje la mariposa (figura 7) y mueva la varilla hacia arriba o hacia abajo. El sujetador de material debe inclinarse cuando la mesa esté inclinada. Para inclinar el sujetador afloje el tornillo allen que se muestra en la figura 7 e incline el primero hasta que quede paralelo a la mesa. Apriete el sujetador antes de cortar.

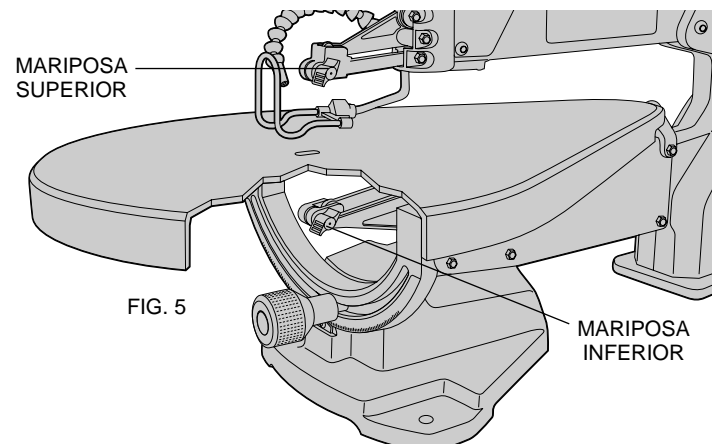
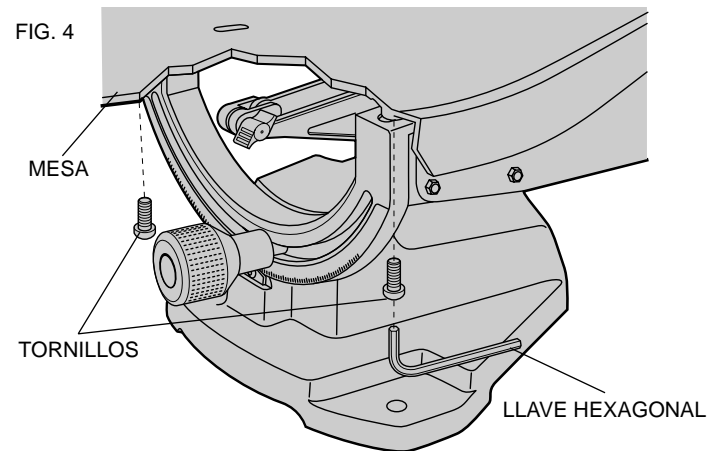
NOTA: Cuando corte, asegúrese que el sujetador de material no haga contacto con el brazo inferior de la sierra caladora. Su sierra caladora tiene capacidad para cortar un espesor máximo de 50 mm (2"). NUNCA quite el sujetador de material ya que funciona también como barrera entre los dedos y la sequeta.

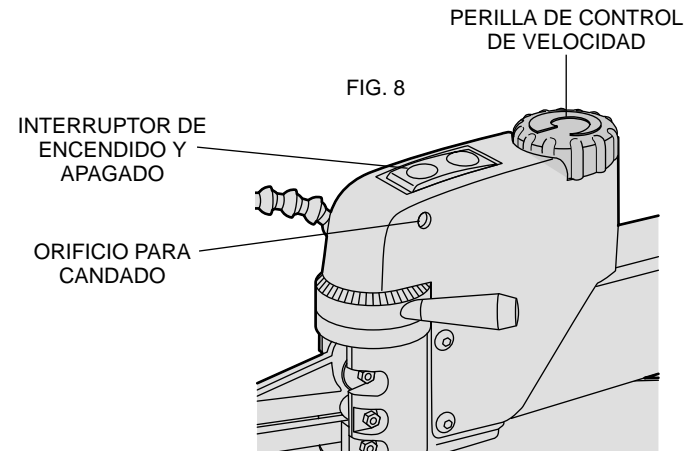
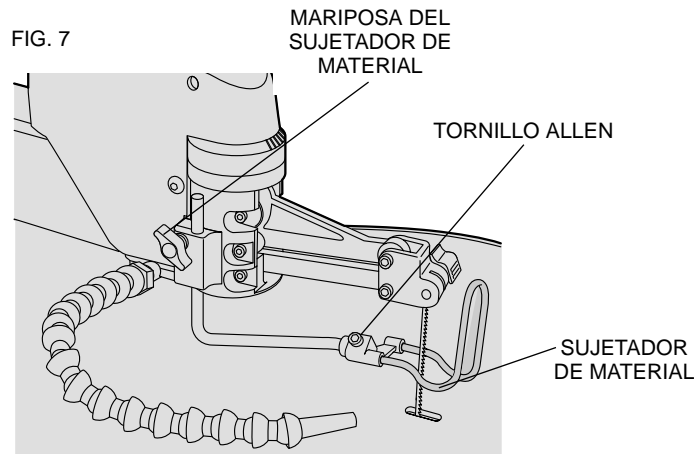
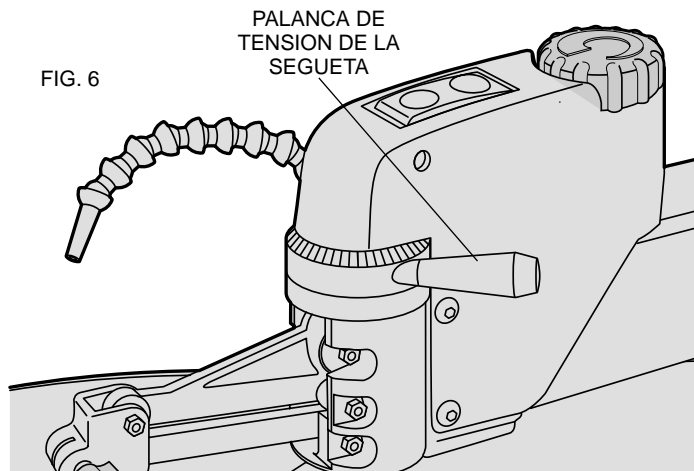
Manguera de aire

Su sierra caladora cuenta con una manguera de aire ajustable que le permite conservar su área de trabajo libre de polvo y desechos. Asegúrese de colocar la manguera correctamente: debe alejar al polvo del operador.

Interruptor de encendido y apagado

Para encender la sierra, oprima la parte frontal del interruptor como se observa en la figura 8. La sierra queda encendida de manera permanente. Para apagar la sierra, oprima la parte trasera del





interruptor. La sierra cuenta con un orificio en el interruptor para colocar un candado y asegurar la sierra (figura 8).

Perilla de control de velocidad

Su sierra caladora cuenta con velocidad variable, de 400 a 1750 golpes por minuto. Para operar la característica de velocidad variable, gire la perilla de control de velocidad (figura 8) cuando la sierra esté en funcionamiento.

Para aumentar la velocidad, gire la perilla en el sentido de las manecillas del reloj. Los números en la perilla representan niveles de velocidad. Uno es la velocidad mínima, 8 es la velocidad máxima.

Se recomiendan velocidades bajas para metales, plásticos, maderas duras y materiales muy delgados.

Corte

Sujete el material con firmeza contra la mesa. Siempre alimente el

Español

material hacia la segueta. Avance la pieza de trabajo con la suficiente rapidez para permitir que la segueta haga el corte, pero no fuerce el material.

Inclinación

La mesa de su sierra caladora se inclina hasta 45° hacia derecha o izquierda. Hay un posicionador a 0°. Para inclinar la mesa de la sierra, afloje la perilla de l seguro de inclinación (figura 9), e inclínela hasta la posición deseada, señalada por el indicador de inclinación.

Trabajos especiales

CORTES INTERIORES

Su sierra caladora es ideal para corte interiores en trabajos detallados. Para hacer un corte interior:

1. Perfore un orificio guía en su pieza de trabajo.
2. Asegúrese que la palanca de tensión de la segueta esté completamente hacia la derecha.
3. Afloje la mariposa del sujetador superior de la segueta.
4. Deje que la segueta permanezca en su sitio sujeta por la parte inferior, levante el brazo superior de la sierra como se observa en la figura 10. Pase la segueta a través del orificio de su pieza de trabajo y colóquela de nuevo en el sujetador superior. Apriete la mariposa.
5. Ajuste la tensión de la segueta e inicie el corte interior.

Como alternativa usted puede aflojar la mariposa del sujetador inferior en el paso 3 antes mencionado, y pasar la segueta a través de la parte superior de la pieza de trabajo.

NOTA: No levante la sierra por el brazo superior. Puede dañarla.

Protector de sobrecarga

Su sierra caladora está equipada con un fusible de protección contra sobrecargas de 3A. Si la sierra se sobrecarga y deja de funcionar, apáguela, revise que el fusible no se haya quemado quitando la tapa

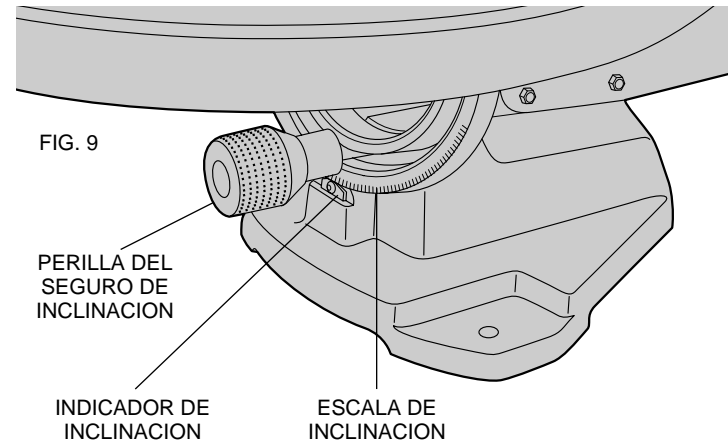
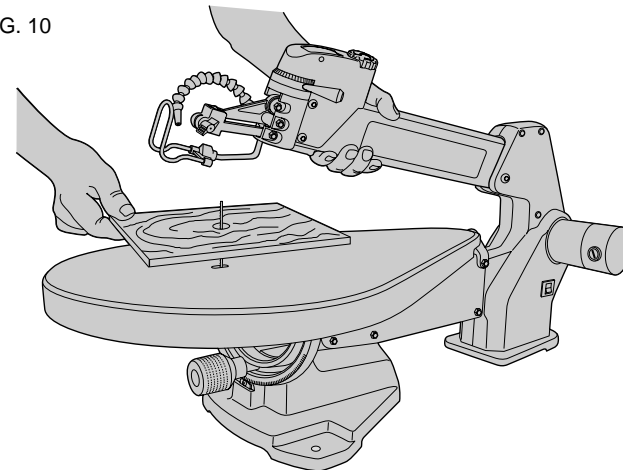
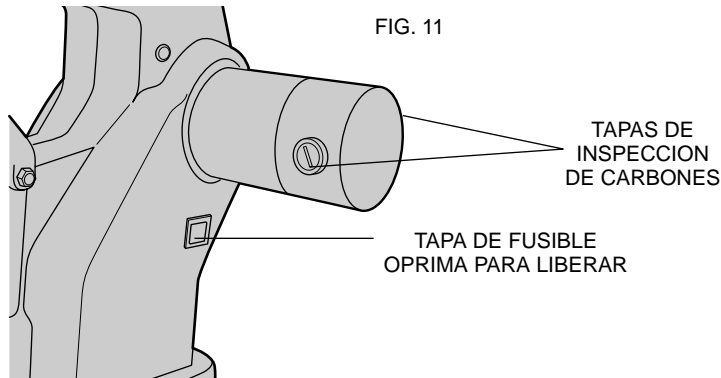


FIG. 9

PERILLA DEL
SEGURO DE
INCLINACIONINDICADOR DE
INCLINACIONESCALA DE
INCLINACION

FIG. 10





(figura 11). Su sierra caladora emplea un fusible #3AG de acción rápida, de 31,7 mm de longitud x 6,3 mm de diámetro (1 1/4"x1/4").

Mantenimiento

CARBONES

Revise regularmente los carbones de la siguiente manera: desconecte la herramienta, quite la tapa de inspección de carbones (figura 11) y retire el montaje de los carbones. Conserve los carbones limpios y deslizándose libremente en sus guías. Siempre reemplace un carbón usado en la misma orientación que tenía en el portacarbón antes de retirarlo. Si el carbón se desgastó hasta 9,5 mm (3/8"), debe reemplazarse. Solamente utilice carbones idénticos DeWALT. Hay carbones nuevos a su disposición en los centros de servicio Black&Decker. Debe permitirse a la herramienta funcionar " sin carga " durante 10 minutos antes de usarse para asentar los carbones.

MESA

Conserve la mesa limpia y libre de aceite, grasa y rebabas. Aplique a la mesa cera en pasta para ayudar a conservar su acabado liso.

Accesorios

Dispone usted de los accesorios recomendados para su herramienta con cargo adicional con su distribuidor local o en los centros de servicio autorizado. Si necesita usted ayuda para encontrar algún accesorio, haga por favor contacto con:

DeWALT Industrial Tool Co., 701 East Joppa Road, Baltimore, MD 21286

PRECAUCION: El uso de cualquier accesorio no recomendado para emplearse con esta herramienta puede ser peligroso.

Importante

Para garantizar la SEGURIDAD y la CONFIABILIDAD, deberán hacerse reparaciones, mantenimiento y ajustes de esta herramienta en los centros autorizados de servicio DeWALT u otras organizaciones autorizadas. Estas organizaciones prestan servicio a las herramien

PARA REPARACION Y SERVICIO DE SUS HERRAMIENTAS ELECTRICAS FAVOR DE DIRIGIRSE AL CENTRO DE SERVICIO MAS CERCANO

CULIACAN	
Av. Nicolas Bravo #1063 Sur	(91 671) 242 10
GAUDALAJARA	
Av. La Paz #1770	(91 3) 826 69 78.
LEON	
Polara #32	(91 471) 314 56
MEXICO	
Sonora #134 Hipodromo Condesa	553-9979
MERIDA	
Calle 63 #459	(91 99) 23 54 90
MONTERREY	
Av. Francisco I. Madero Pte. 1820-A	(91 83) 72 11 25
PUEBLA	
17 Norte #2057	(91 22) 46 90 20
QUERETARO	
Av. Madero 139 Pte.	(91 42) 14 60 60

SAN LOUIS POTOSI
 Pedro Moreno #408 Fracc. la Victoria (91 48) 14 25 67
 TORREON
 Blvd. Independencia, 96 pte. (91 17) 16 52 65
 VERACRUZ
 Prolongación Diaz Miron #4280 (91 29) 21 70 18
 VILLAHERMOSA
 Zaragoza #105 (91 93) 12 53 17

PARA OTRAS LOCALIDADES LLAME AL: 326 7100

Póliza de Garantía

IDENTIFICACIÓN DEL PRODUCTO:

Sello o firma del Distribuidor.

Nombre del producto: _____ Mod./Cat.: _____

Marca: _____ Núm. de serie: _____

(Datos para ser llenados por el distribuidor)

Fecha de compra y/o entrega del producto: _____

Nombre y domicilio del distribuidor donde se adquirió el producto: _____

Este producto está garantizado por un año a partir de la fecha de entrega, contra cualquier defecto en su funcionamiento, así como en materiales y mano de obra empleados para su fabricación. Nuestra garantía incluye la reparación o reposición del producto y/o componentes sin cargo alguno para el cliente, incluyendo mano de obra, así como los gastos de transportación razonablemente erogados derivados del cumplimiento de este certificado.

Para hacer efectiva esta garantía deberá presentar su herramienta y esta póliza sellada por el establecimiento comercial donde se adquirió el producto, de no contar con ésta, bastará la factura de compra.

EXCEPCIONES.

Esta garantía no será válida en los siguientes casos:

- Cuando el producto se hubiese utilizado en condiciones distintas a las normales;
- Cuando el producto no hubiese sido operado de acuerdo con el instructivo de uso que se acompaña;
- Cuando el producto hubiese sido alterado o reparado por personas distintas a las enlistadas al final de este certificado.

Anexo encontrará una relación de sucursales de servicio de fábrica, centros de servicio autorizados y franquiciados en la República Mexicana, donde podrá hacer efectiva su garantía y adquirir partes, refacciones y accesorios originales.

Garantía Completa

Las herramientas industriales DeWalt están garantizadas durante un año a partir de la fecha de compra. Repararemos, sin cargos, cualquier falla debida a material o mano de obra defectuosos. Por favor regrese la unidad completa, con el transporte pagado, a cualquier Centro de Servicio para Herramientas Industriales de DeWalt o a las estaciones de servicio autorizado enlistadas bajo "Herramientas Eléctricas" en la Sección Amarilla. Esta garantía no se aplica a los accesorios ni a daños causados por reparaciones efectuadas por terceras personas. Esta garantía le otorga derechos legales específicos, y usted puede tener otros derechos que pueden variar de estado a estado. En adición a la garantía, las herramientas DEWALT están amparadas por nuestra:

GARANTÍA DE SATISFACCIÓN SIN RIESGO POR 30 DÍAS

Si usted no se encuentra completamente satisfecho con el desempeño de su herramienta industrial DeWalt, sencillamente devuélvala a los vendedores participantes durante los primeros 30 días después de la fecha de compra para que le efectúen un reembolso completo. Por favor regrese la unidad completa, con el transporte pagado. Se puede requerir prueba de compra.

IMPORTADO: DeWALT S.A. DE C.V.
 BOSQUES DE CIDROS ACCESO RADIATAS NO. 42
 COL. BOSQUES DE LAS LOMAS.
 05120 MÉXICO, D.F.
 TEL. 326-7100

**Para servicio y ventas consulte
 "HERRAMIENTAS ELÉCTRICAS"
 en la sección amarilla.**



Free Manuals Download Website

<http://myh66.com>

<http://usermanuals.us>

<http://www.somanuals.com>

<http://www.4manuals.cc>

<http://www.manual-lib.com>

<http://www.404manual.com>

<http://www.luxmanual.com>

<http://aubethermostatmanual.com>

Golf course search by state

<http://golfingnear.com>

Email search by domain

<http://emailbydomain.com>

Auto manuals search

<http://auto.somanuals.com>

TV manuals search

<http://tv.somanuals.com>