

POLE SAW ASSEMBLY

Pole/Bracket Replacement Kit - 110731R

⚠ WARNING: Verify both saw and pole are not connected to power source before assembly.

ASSEMBLY PROCEDURE

1. Push in and hold trigger lockout button. Squeeze and hold trigger. (see Figure 1, Steps 1 and 2)
2. Continue to hold trigger while sliding the handle bracket onto chain saw handle (see Figure 1, Step 3). The trigger support on the bracket will hold the trigger in the "ON" position (see Figure 2).
3. Attach pole assembly to chain saw. Align the holes in the pole bracket and handle bracket. Using four Philips head screws and lock washers provided, insert screws through lock washers and holes in pole bracket. Tighten screws securely with screwdriver into weld nuts of handle bracket (see Figure 2).
4. Plug chain saw power cord into receptacle end of pole assembly power cord (see Figure 3).

Step 3 - Slide Handle Bracket onto Chain Saw Handle. *Note: Verify Trigger Support is Under the Trigger and the Trigger is in the "ON" Position.*

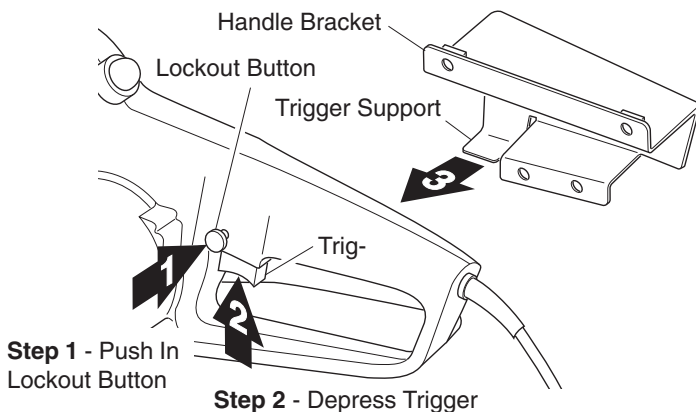


Figure 1 - Attaching Handle Bracket to Chain Saw Handle

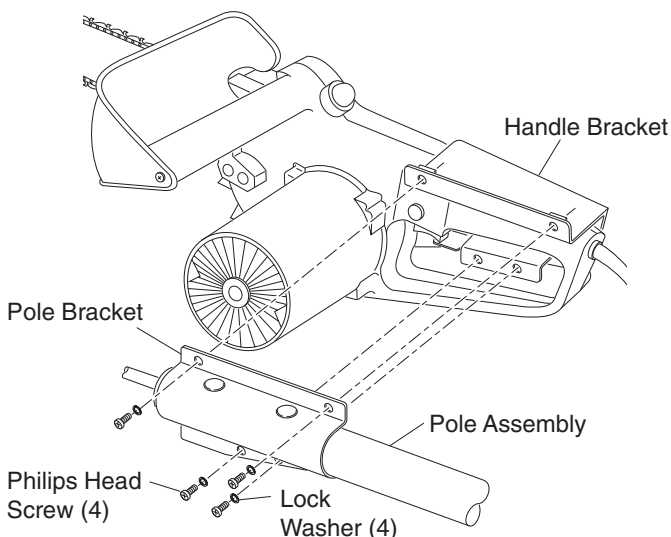


Figure 2 - Attaching Pole Saw Bracket to Handle Bracket

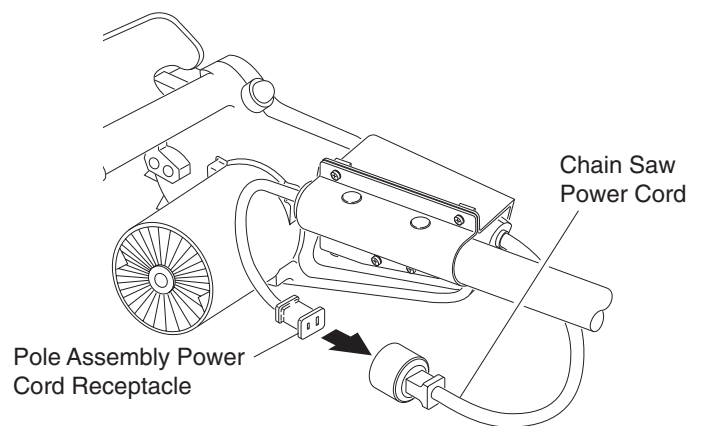


Figure 3 - Connecting Chain Saw Power Cord to Pole Assembly Power Cord

TECHNICAL SERVICE

You may have further questions about assembling, operating, or maintaining this product. If so, you can visit our Technical Service web site at www.desatech.com or contact our Technical Service Department at 1-800-858-8501 (English Only), 7:30 AM to 4:30 PM CST (M-F). You may also write to:

DESA Specialty Products™

P.O. Box 90004, Bowling Green, KY 42102-9004

ATTN: Technical Service Specialty Products

When contacting DESA Specialty Products™, have ready

- Your Name
- Your Address
- Your Phone Number
- Model Number of Product
- Date of Purchase (Include copy of receipt for written requests).

DESA
SPECIALTY PRODUCTS

P.O. Box 90004

Bowling Green, KY 42102-9004

U.S.A.

www.desatech.com

111006-02

Rev. A

02/04

Free Manuals Download Website

<http://myh66.com>

<http://usermanuals.us>

<http://www.somanuals.com>

<http://www.4manuals.cc>

<http://www.manual-lib.com>

<http://www.404manual.com>

<http://www.luxmanual.com>

<http://aubethermostatmanual.com>

Golf course search by state

<http://golfingnear.com>

Email search by domain

<http://emailbydomain.com>

Auto manuals search

<http://auto.somanuals.com>

TV manuals search

<http://tv.somanuals.com>