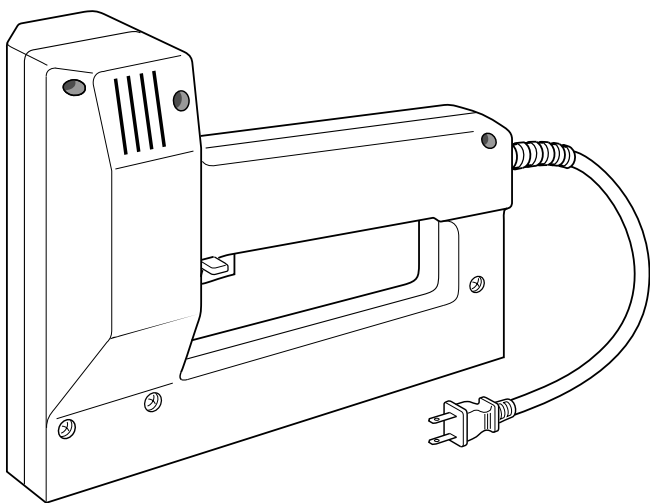




**HARDWARE
HOUSE®**

ELECTRIC STAPLEGUN Model HH34392



OPERATING INSTRUCTIONS



Safety Information

⚠ WARNING: Follow all safety precautions outlined in these operating instructions. Improper use of this tool can cause severe injury or death from fire, electrical shock, or firing staple into body.

Before Operating Tool

1. Read and understand these operating instructions before operating tool.
2. Only well-instructed adults should operate tool. Never allow children to operate tool.
3. Do not operate tool
 - where highly flammable liquids or gases are present
 - while under the influence of alcohol, medication, or drugs
 - if exposed to rain or in damp or wet areas
 - while tired or in a hurry
 - if tool is damaged
 - if trigger does not turn tool on and off.
4. To reduce the risk of electric shock, this tool has a polarized plug (one blade is wider than the other) and will require the use of a polarized extension cord. The tool plug will fit into a polarized extension cord only one way. If the plug does not fit fully into the extension cord, reverse the plug. If the plug still does not fit, obtain a correct polarized extension cord. A polarized extension cord will require the use of a polarized wall outlet. This plug will fit into the polarized wall outlet only one way. If the plug does not fit fully into the wall outlet, reverse the plug. If the plug still does not fit, contact a qualified electrician to install the proper wall outlet. Do not change the tool plug, extension cord receptacle, or extension cord plug in any way.
5. Use only extension cords marked for outdoor use.
6. Never use this tool
 - where a heavy-duty tool is needed
 - where not intended. For example, don't use tool on concrete, metal, or glass
7. Wear snug-fitting clothing when operating tool. Do not wear loose clothing or jewelry. They can get caught in moving parts.
8. Wear the following safety gear when operating tool:
 - rubber gloves (outdoors)
 - footwear with non-skid soles (outdoors)
 - eye protection such as safety glasses or goggles
 - hair covering to contain long hair
9. Keep work area well lit.
10. Move trigger lock to the OFF position and unplug tool
 - when loading tool
 - when not in use
 - when moving from one place to another
 - before maintenance
 - when changing accessories
11. Do not alter this tool in any way. Only use accessories designed for this tool.

During Operation of Tool

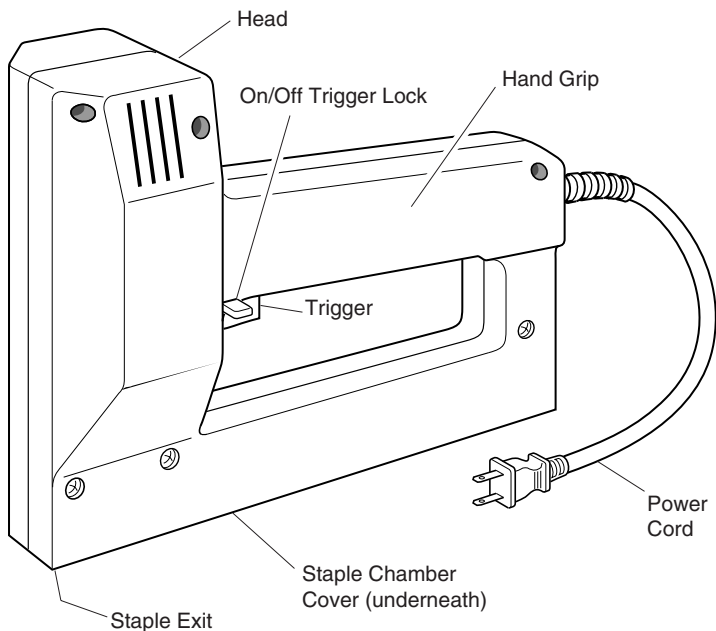
1. Keep all parts of body away from staple exit on tool.
2. Never point tool at anyone.
3. Keep children, animals, and bystanders away from tool and extension cord at all times. Only tool user should be in work area.
4. Stay alert. Use common sense while operating tool.
5. Keep trigger lock in the OFF position and finger off trigger until ready to drive staple.
6. Keep work area clean. Cluttered work areas invite injuries.
7. Secure work before using tool. Use both hands to operate tool.
8. Do not touch any metal part of tool when stapling into areas where electrical wiring may be present. These areas include walls, floors, and ceilings. If staple contacts electrical wire, electric shock may occur.
9. Avoid body contact with grounded objects such as pipes, fences, and metal posts.
10. Do not force tool. Use tool at rate for which it was designed.
11. Do not overreach. Keep proper footing and balance at all times.
12. Carry tool from one place to another
 - with tool unplugged
 - with trigger lock in the OFF position
 - with finger off the trigger

General

1. Inspect tool before and after each use. Check for any damage that may affect operator safety or operation of tool. Check for broken or damaged parts. Do not use tool if damage affects safety or operation.
2. Maintain tool with care.
 - Never fire tool when empty of staples. This may damage tool.
 - Keep tool clean.
 - Keep handles dry, clean, and free of oil and grease.
 - Inspect power cord often.
 - Never carry tool by power cord.
 - Never yank power cord to unplug it.
 - Keep power cord away from heat, oil, and sharp edges.
 - Inspect extension cords often and replace if damaged.
 - Never oil or grease any part of tool.
3. Always store tool
 - with staples removed from chamber
 - out of children's reach
 - in a high or locked place that is dry

Keep these operating instructions for reference. It is your guide to safe and proper operation of this tool.

Product Identification



Product Features

The Hardware House® Electric StapleGun is a multi-purpose tool. This tool is designed for home and workshop. It performs basic fastening jobs from installing insulation, porch screening, and ceiling tiles to repairing upholstery.

Trigger This tool has an easy squeeze trigger. The trigger is located underneath the hand grip. Each squeeze of the trigger fires one staple. Make sure your finger is not on the trigger when connecting or loading the tool.

ON/OFF Trigger Lock This tool is equipped with a sliding ON/OFF trigger lock. The trigger lock is located at the front of the hand grip, just above the trigger. This safety feature helps prevent accidental firing. Make sure the trigger lock reads OFF when plugging in or loading the tool. Also, make sure the trigger lock reads OFF when tool is not in use. To release, slide the trigger lock to read ON.

Extension Cords

⚠ CAUTION: Use only extension cords marked for outdoor use.

Be sure to use the right size extension cord. If cord size is wrong, tool may be damaged. Tool performance may also be affected.

Extension Cord Size Requirement

1 to 25 feet, use 16 AWG rated cord

26 to 50 feet, use 14 AWG rated cord

Inspect extension cords often and replace if damaged.

Loading Tool

⚠ WARNING: Never load tool while it is plugged in. Accidental discharge may occur. Before loading, move trigger lock to the OFF position and unplug tool.

1. Move trigger lock to the OFF position (see Figure 1) and unplug tool.
2. Turn tool upside down.
3. Press in latch lock and slide staple chamber cover back until fully open (see Figures 2 and 3).

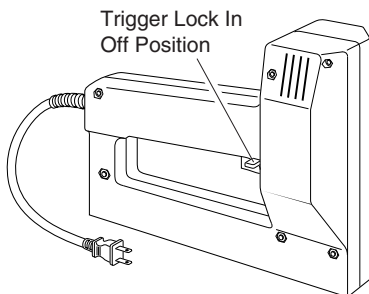


Figure 1

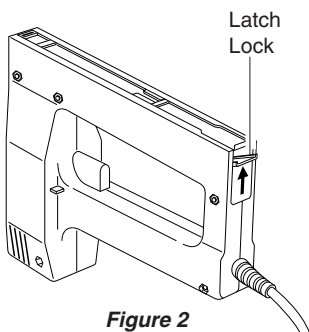


Figure 2

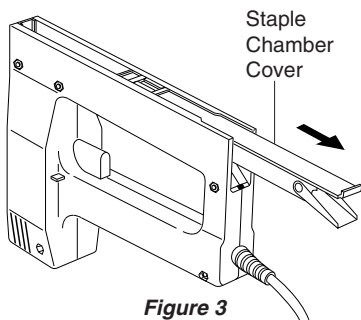


Figure 3

Continued

- Drop staples in channel (see Figure 4).
Note: We recommend that you only use Hardware House® heavy-duty, narrow-crown staples in this tool. Wrong staples can cause jamming.
- Slide staple chamber cover closed. Make sure cover locks into place.

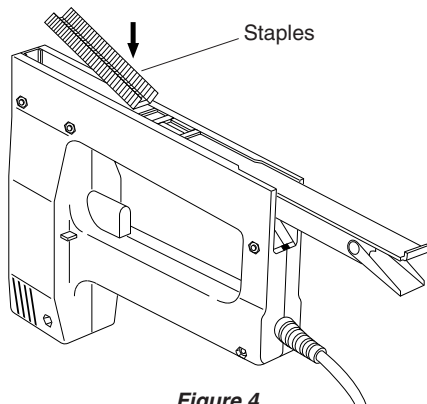


Figure 4

Operating Tool

⚠ WARNING: Keep trigger lock in the OFF position and finger off trigger until ready to drive staple.

⚠ WARNING: Keep all body parts away from staple exit on tool.

- Make sure trigger lock is in the OFF position.
- Plug tool into a 120 Volt/60 Hertz outlet.
- Grip tool firmly.
- Slide trigger lock to the ON position.

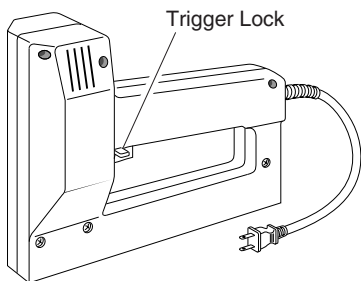


Figure 5

- Squeeze trigger to fire.
- IMPORTANT:** Do not fire this tool when empty of staples. This may damage tool.

Note: In difficult fastening jobs, press down on head of tool with palm of free hand (see Figure 6). This will improve staple driving.

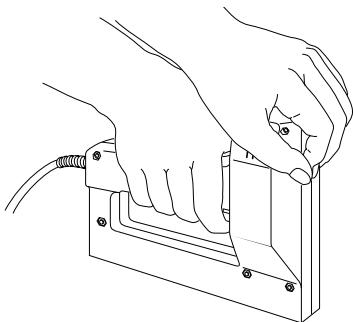


Figure 6

Maintenance

⚠ WARNING: Do not alter this tool in any way. Only use accessories designed for this tool.

⚠ WARNING: Never perform steps listed below while tool is plugged in. Accidental discharge may occur. Move trigger lock to the OFF position and unplug tool.

Tool Jam

- If tool jams, move trigger lock to the OFF position and unplug tool.
- Turn tool upside down.
- Press in latch lock and slide staple chamber cover back until fully open.
- Remove unused staples.
- Remove staple(s) causing jam.
- Reload tool (see Loading Tool, page 5).

Cleaning

Use a clean cloth to remove dirt from tool. Do not use solvents when cleaning plastic parts.

Lubrication

Do not oil or grease any part of tool. This may damage tool.

IMPORTANT: Do not attempt to repair tool or replace broken parts.

⚠ WARNING: This product contains chemicals known to the State of California to cause cancer or birth defects, or other reproductive harm.

Staples

We recommend that you only use Hardware House® heavy-duty, narrow-crown staples. These staples are available in five lengths. Hardware House® heavy-duty, narrow-crown staples can be found where you purchased your staplegun.

STAPLES		Staple Brand				
Hardware House® Model No	Staple Size	Hardware House®	PowerFast®	Arrow®	PowerShot®	Stanley®
HH34392 Use:	1/4"	HH36504A	36504A	504	97-010	TRA704
	5/16"	HH36505A	36505A	505	97-011	TRA705
	3/8"	HH36506A	36506A	506	97-012	TRA706
	1/2"	HH36508A	36508A	508	97-013	TRA708
	9/16"	HH36510A	36510A	509	97-014	TRA709

Arrow® is a registered trademark of Arrow Fastener Company. Stanley® is a registered trademark of Stanley Corporation. PowerShot® is a registered trademark of PowerShot Tool Company. PowerFast® is a registered trademark of DESA IP, LLC.



Hardware House®
P.O. Box 2607
Birmingham, AL 35202

For Technical Assistance Call
Customer Service Department
1-800-822-0056

Free Manuals Download Website

<http://myh66.com>

<http://usermanuals.us>

<http://www.somanuals.com>

<http://www.4manuals.cc>

<http://www.manual-lib.com>

<http://www.404manual.com>

<http://www.luxmanual.com>

<http://aubethermostatmanual.com>

Golf course search by state

<http://golfingnear.com>

Email search by domain

<http://emailbydomain.com>

Auto manuals search

<http://auto.somanuals.com>

TV manuals search

<http://tv.somanuals.com>