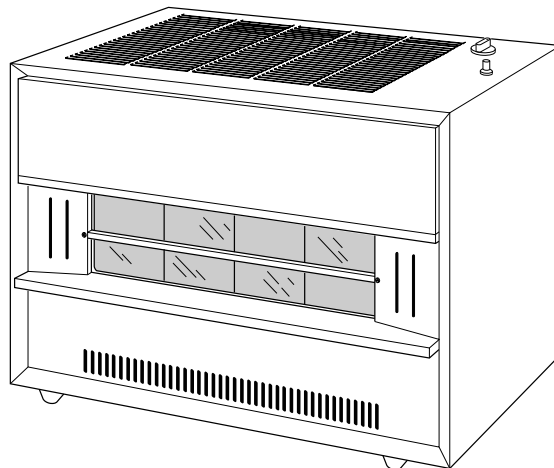


# Comfort Glow®

## VENTED PROPANE GAS HEATERS

### OWNER'S OPERATION AND INSTALLATION MANUAL



Models: CGB35P and CGB50P

**WARNING:** If the information in this manual is not followed exactly, a fire or explosion may result causing property damage, personal injury, or loss of life.

#### FOR YOUR SAFETY

- Do not store or use gasoline or other flammable vapors and liquids in the vicinity of this or any other appliance.
- **WHAT TO DO IF YOU SMELL GAS**
  - Do not try to light any appliance.
  - Do not touch any electrical switch; do not use any phone in your building.
  - Immediately call your gas supplier from a neighbor's phone. Follow the gas supplier's instructions.
  - If you cannot reach your gas supplier, call the fire department.
- Installation and service must be performed by a qualified installer, service agency, or the gas supplier.

**WARNING:** Improper installation, adjustment, alteration, service, or maintenance can cause property damage, personal injury or loss of life. Refer to this manual for correct installation and operational procedures. For assistance or additional information consult a qualified installer, service agency, or the gas supplier.



Save this manual for future reference.

# CONTENTS

SECTION	PAGE
Safety Information .....	3
Product Identification .....	5
Local Codes .....	6
Unpacking .....	6
Product Features .....	6
Installing Heater .....	6
Check Gas Type .....	6
Installation Items .....	6
Locating Heater .....	7
Venting Heater .....	8
Connecting to Gas Supply .....	11
Checking Gas Connections .....	13
Installing Glass Panels .....	14
Fresh Air For Combustion and Ventilation .....	16
Determining Fresh-Air Flow for Heater Location	
Example 1: Locating Heater in Unconfined (Open) Area	17
Draft Hood Spillage Test .....	17
Providing Permanent Fresh-Air Ventilation .....	18
Example 2: Locating Heater in Confined (Closed) Area..	19
Ventilating Confined Area .....	19
Operating Heater .....	20
For Your Safety Read Before Lighting .....	20
Lighting Instructions .....	20
Manual Lighting Procedure .....	22
To Turn Off Gas To Appliance .....	22
Inspecting Pilot and Burner Flame .....	23
Pilot Flame Pattern .....	23
Burner Flame Pattern .....	23
Cleaning and Maintenance .....	25
Troubleshooting .....	26
Service Procedures .....	30
Removing Control Valve and Burner Tube .....	30
Removing Burner .....	31
Changing Burner Orifice .....	32
Technical Service .....	33
Specifications .....	33
Service Hints .....	33
Ordering Replacement Parts .....	34
Parts Centrals .....	34
Accessories .....	35
Illustrated Parts List .....	36-38
Warranty Information .....	Back Cover

## SAFETY INFORMATION

## WARNINGS

**IMPORTANT:** Read this owner's manual carefully and completely before trying to assemble, operate, or service this heater. Improper use of this heater can cause serious injury or death from burns, fire, explosion, electrical shock, and carbon monoxide poisoning.

### DANGER

**Carbon monoxide poisoning may lead to death!**

**Carbon Monoxide Poisoning:** Early signs of carbon monoxide poisoning resemble the flu, with headaches, dizziness, or nausea. If you have these signs, the heater may not be operating or venting properly. **Get fresh air at once!** Have heater or heater venting system serviced. Some people are more affected by carbon monoxide than others. These include pregnant women, people with heart or lung disease or anemia, those under the influence of alcohol, and those at high altitudes.

**Propane Gas:** Propane gas is odorless. An odor-making agent is added to propane gas. The odor helps you detect a propane gas leak. However, the odor added to propane gas can fade. Propane gas may be present even though no odor exists.

Make certain you read and understand all Warnings. Keep this manual for reference. It is your guide to safe and proper operation of this heater.

1. A qualified service person must install heater and venting system.
2. Use only propane gas. Do not convert heater to use different fuel type.
3. Do not place propane supply tank(s) inside any structure. Locate propane supply tank(s) outdoors.
4. If you smell gas
  - Shut off gas supply.
  - Do not try to light any appliance.
  - Do not touch any electrical switch; do not use any phone in your building.
  - Immediately call your gas supplier from a neighbor's phone. Follow the gas supplier's instructions.
  - If you cannot reach your gas supplier, call the fire department.
5. This heater must have fresh air for proper operation. If not, poor fuel combustion and improper venting of flue gases will result. Carbon monoxide poisoning from backed-up flue gases could occur. The State of California lists carbon monoxide as a reproductive toxin under Proposition 65. Read the instructions under *Fresh Air for Combustion and Ventilation*, pages 16 through 19 for complete information.
6. Never install the heater
  - in a mobile home or a recreational vehicle.
  - where curtains, furniture, clothing, or other flammable objects are less than 48 inches from the front, 53 inches from top, or 12 inches from right side and 6 inches from left side and back of heater.
  - directly on carpeting, tile, or other combustible materials other than wood flooring. Place heater on metal or wood panel extending the full width and depth of heater.
  - as a fireplace insert.
  - in high traffic areas.
  - in windy or drafty areas.

Continued

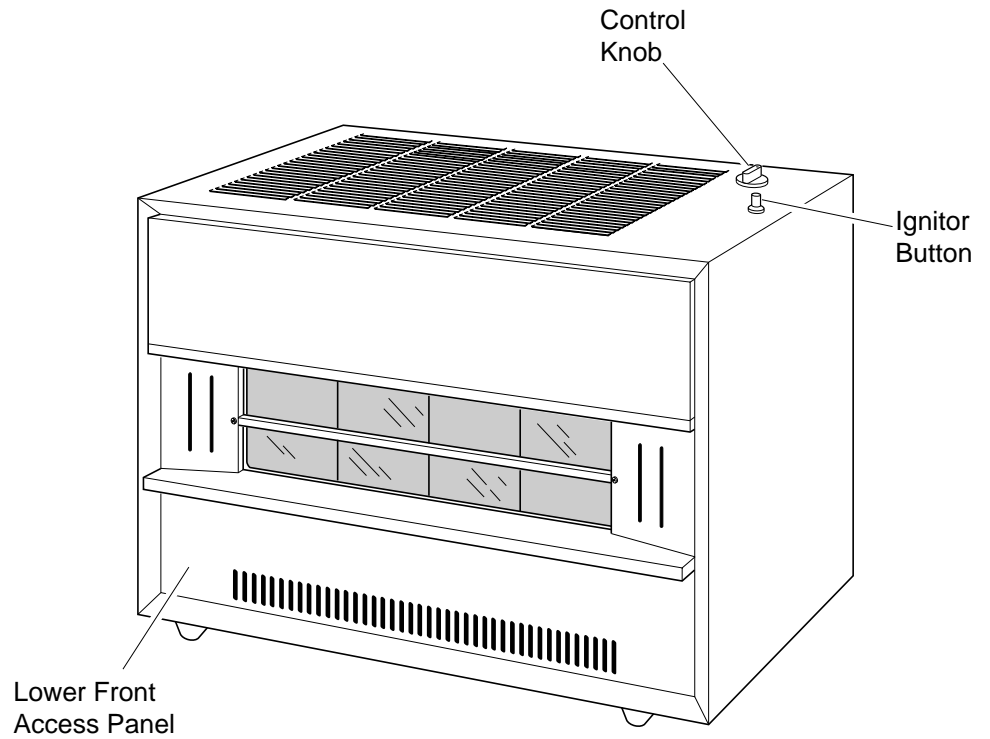
## **SAFETY INFORMATION**

***Continued***

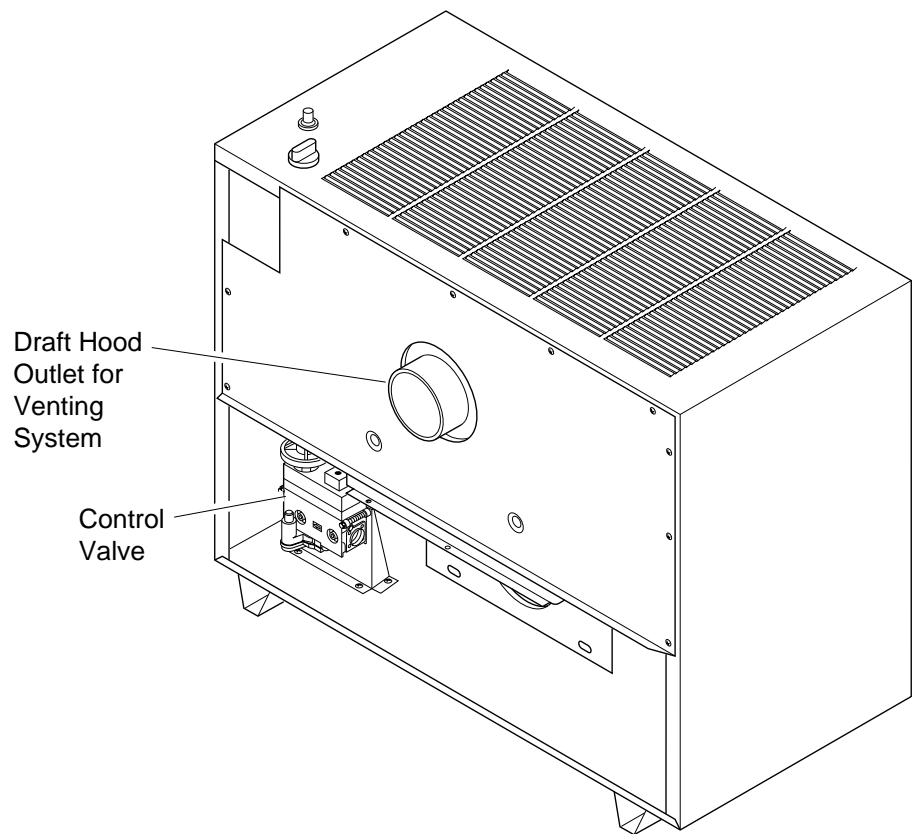
### **⚠ WARNINGS *Continued***

7. Provide the following minimum heater clearances from combustibles (as viewed from the front of heater):
  - Front: 48 inches
  - Back: 6 inches
  - Top: 53 inches
  - Right Side: 12 inches
  - Left Side: 6 inches
8. Do not run heater
  - where flammable liquids or vapors are used or stored
  - under dusty conditions
9. Never place clothing or any flammable objects on the heater or venting system.
10. Heater and venting system surfaces are very hot during operation. Keep children and adults away from hot surfaces to avoid burns or clothing ignition. Carefully supervise young children when they are in the same room as heater. Heater will remain hot for a time after shutdown. Let surface cool before touching.
11. Do not use heater as a cooking device.
12. Do not alter heater or its controls. Any change may create a safety hazard.
13. Turn off heater and unplug (if equipped with blower) and let cool before servicing. Unless you need gas supply for testing, shut off manual shutoff valve before servicing. Only a qualified service person should service and repair heater and venting system.
14. Replace any safety screen or guard removed for servicing before running heater.
15. Do not use heater if any part has been under water. Immediately call a qualified service person to inspect the heater and to replace any part of the control system and any gas control which has been under water.

# PRODUCT IDENTIFICATION



**Figure 1 - Vented Propane Gas Heater**



**Figure 2 - Vented Propane Gas Heater, Rear View**

## LOCAL CODES

Install and use heater with care. Follow all local codes. In the absence of local codes, use the latest edition of the following:

- National Fuel Gas Code ANSI Z223.1, also known as NFPA 54 \*
- National Electrical Code ANSI/NFPA 70 \*

\*Available from: American National Standards Institute, Inc.  
1430 Broadway  
New York, NY 10018

National Fire Protection Association, Inc.  
Batterymarch Park  
Quincy, MA 02269

## UNPACKING

1. Remove heater from carton.
2. Remove all protective packaging applied to heater for shipment.
3. Check heater for any shipping damage. If heater is damaged, promptly inform dealer where you bought heater.

## PRODUCT FEATURES

### Piezo Ignition System

This heater has a piezo ignitor. This system requires no matches, batteries, or other sources to light heater.

### Thermostatic Heat Control

This heater has a thermostat sensing bulb and a control valve. This results in the greatest heating comfort. This can also result in lower gas bills.

## INSTALLING HEATER

### WARNING

**A qualified service person must install heater and venting system. Have them inspect heater before use and at least annually. Follow all local codes.**

### NOTICE

**This heater must be electrically grounded if equipped with blower. Follow all local codes. In the absence of local codes, follow the National Electric Code, ANSI/NFPA 70.**

### CHECK GAS TYPE

Use only propane gas. If your gas supply is not propane, do not install heater. Call dealer where you bought heater for proper type heater.

### INSTALLATION ITEMS

Before installing heater, make sure you have all items below.

- external regulator (supplied by installer, see page 11)
- piping (check local codes)
- sealant (resistant to propane gas)
- manual shutoff valve \*
- ground joint union
- test gauge connection \* (see Figure 7, page 12)
- sediment trap
- tee joint
- pipe wrench
- venting materials

\* An A.G.A. design-certified manual shutoff valve with 1/8" NPT tap is an acceptable alternative to test gauge connection. Purchase the optional A.G.A. design-certified manual shutoff valve from your dealer. See *Accessories*, page 35.

# INSTALLING HEATER

*Continued*

## LOCATING HEATER

### **⚠ WARNING**

Maintain the minimum clearances shown in Figure 3, below. If you can, provide greater clearances.

### **⚠ WARNING**

Never install the heater

- in a mobile home or a recreational vehicle.
- where curtains, furniture, clothing, or other flammable objects are less than 48 inches from the front, 53 inches from the top, 12 inches from the right side and 6 inches from the left side and back of heater.
- directly on carpeting, tile, or other combustible materials other than wood flooring. Place heater on metal or wood panel extending the full width and depth of heater.
- as a fireplace insert.
- in high traffic areas.
- in windy or drafty areas.

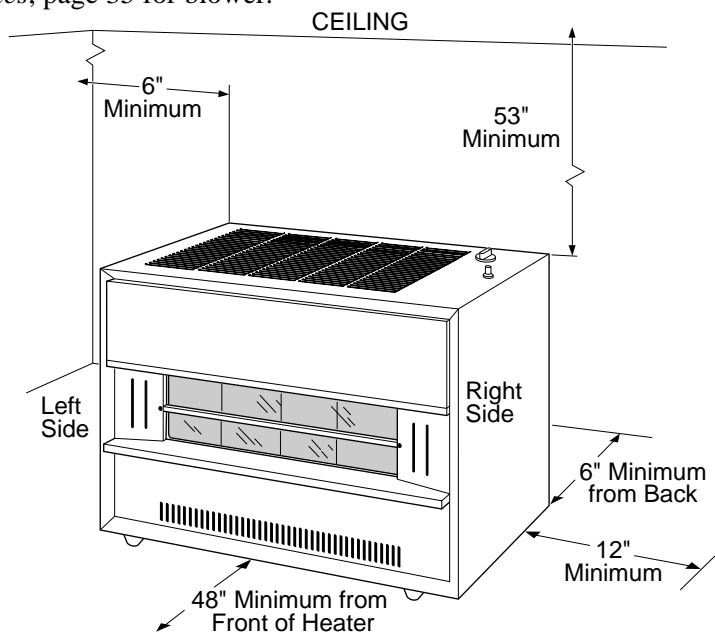
### **⚠ CAUTION**

If you install the heater in a home garage

- heater pilot and burner must be at least 18 inches above floor
- locate heater where moving vehicle will not hit it.

For convenience and efficiency, install heater

- where there is easy access for operation, inspection, and service.
- in coldest part of room.
- near an electrical outlet if you are planning to add blower to heater. See *Accessories*, page 35 for blower.



**Figure 3 - Heater Clearances**

*Continued*

# INSTALLING HEATER

*Continued*

## VENTING HEATER

*Note:* Venting/chimney materials are not supplied with heater.

### WARNING

A qualified service person must install the venting system for this heater. If venting system is not properly installed and maintained, the vent safety shut-off system will prevent the heater from running. Follow all local codes.

### WARNING

This heater has a vent safety shut-off system. This system shuts off the heater gas supply if you do not vent heater properly or the venting system is blocked. Do not operate heater if not properly vented. Do not tamper with the vent safety shut-off system. Carbon monoxide poisoning and death may result.

### WARNING

When venting this heater, follow the safety information listed below.

- Never vent heater to another room or inside a building. Only vent heater to the outdoors.
- Do not vent heater exhaust to a chimney or flue serving another solid-fuel-burning or gas appliance.
- We recommend you use flues classified as prefabricated or masonry all-fuel chimney or type-B vent. See *Vent Types*, page 10.
- If using old vent, check vent for soot, creosote, and loose particles. If vent is damaged, repair or replace it before using heater.
- Extend the vertical section of vent pipe at least three feet above roof penetration.
- Extend the vertical section of vent pipe at least two feet above the highest point of any roof within ten feet.
- The horizontal run of vent pipe should rise at least 1/4 inch for each foot of run.
- Support the vent pipe at least every five feet along its length. Do not use combustible materials to support vent pipe.
- Never extend vent pipe horizontally through outside wall and terminate. You must connect a vertical run of vent pipe to the horizontal run. The vertical run must be at least 25% longer than the horizontal run.
- Install vent or chimney cap that is approved for use with vented gas room heaters.
- Do not use vent pipe smaller in diameter than that of the heater draft hood outlet.
- Do not use dampers in the vent pipes.
- Vertical height of vent must be greater than five feet above vent connection at draft hood.



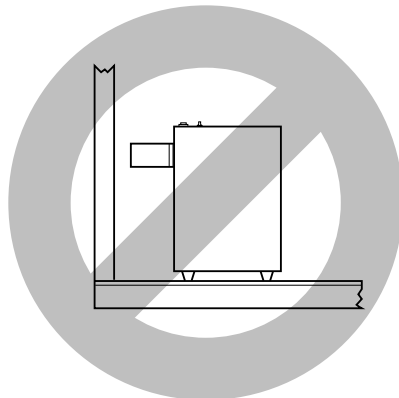
# INSTALLING HEATER

*Continued*

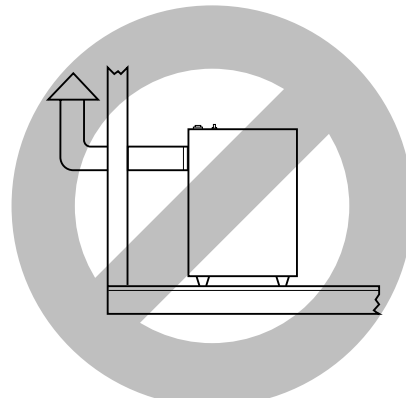
## VENTING HEATER *(continued)*

### **WARNING**

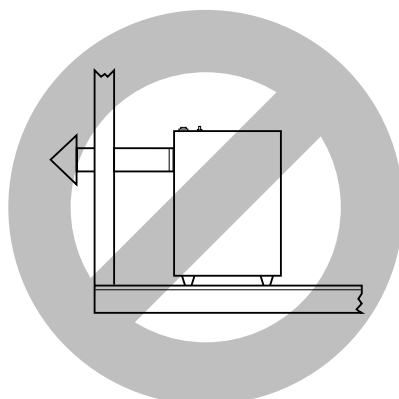
Do not vent heater in any of the following ways (see Figure 4).



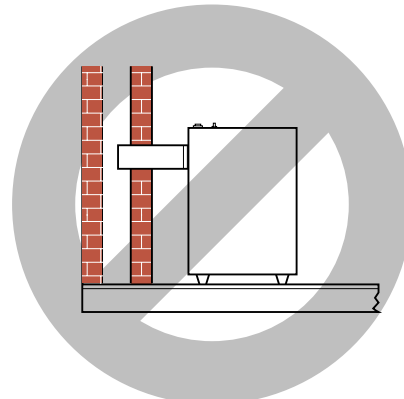
Heater must be vented to the outdoors. Never vent heater to another room or inside a building.



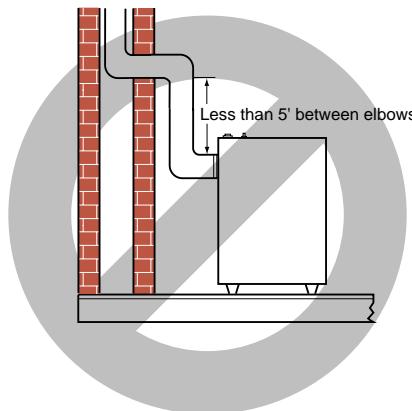
The vertical section of vent pipe must extend at least two feet above the highest point of any roof within ten feet.



Never extend vent pipe horizontally through outside wall and terminate. You must connect a vertical run of vent pipe to the horizontal run. The vertical run must be at least 25% longer than the horizontal run.



Never extend vent pipe horizontally through a chimney or flue. You must connect a vertical run of vent pipe to the horizontal run. The vertical run must be at least 25% longer or five feet minimum than the horizontal run.



Vertical run of pipe must be at least five feet from elbow to elbow.

Figure 4 - Improper Venting Systems

*Continued*

# INSTALLING HEATER

*Continued*

## VENTING HEATER *(continued)*

### Proper Size Vent

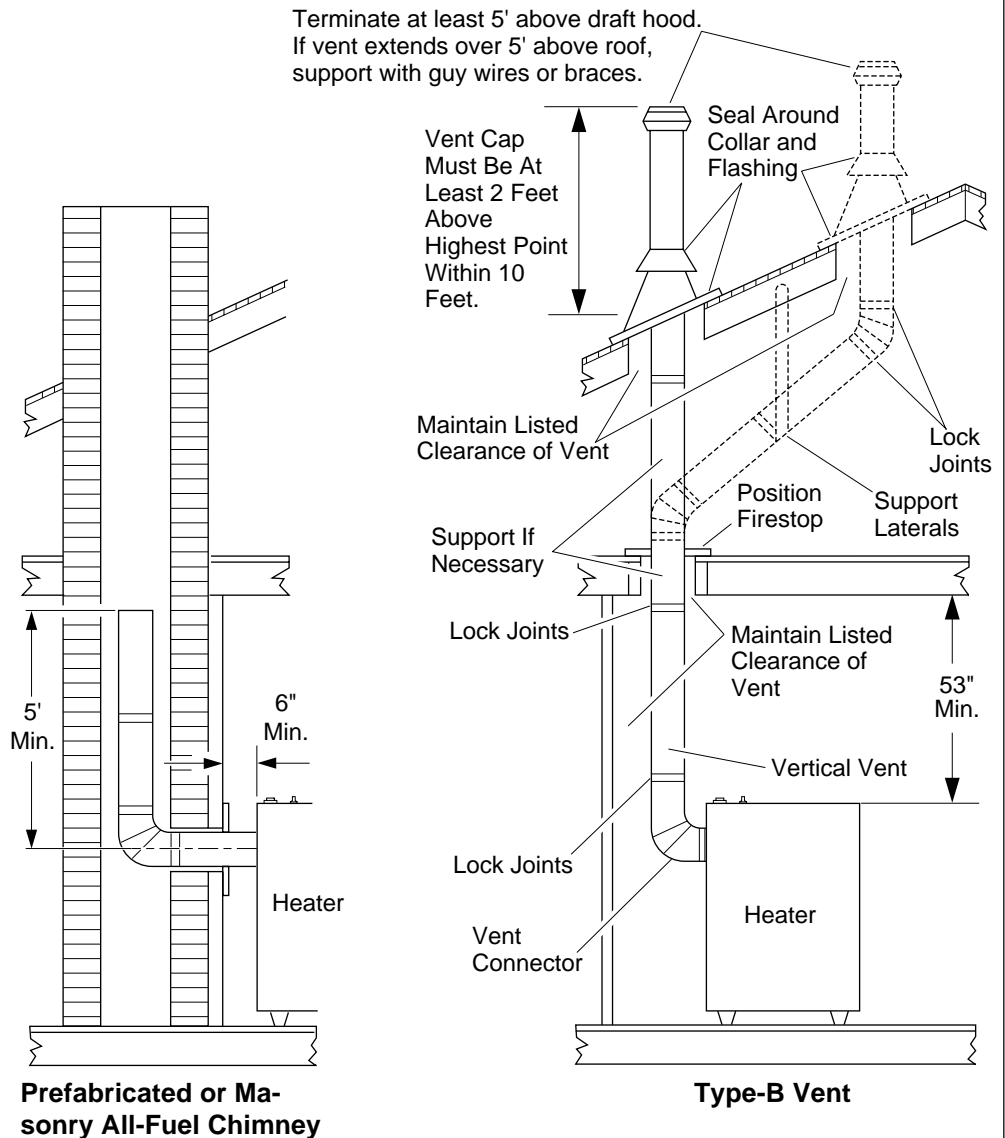
To safely vent heater, the vent connector pipe must be the same diameter as the draft hood outlet on the rear of the heater. Pipe that is too small can cause flue gas to spill from the heater. Fasten vent connector to the draft hood outlet with a sheet metal screw.

### Vent Types

**Prefabricated or Masonry All-Fuel Chimney** - This is a masonry chimney or a residential-type prefabricated chimney. Only use prefabricated chimneys listed by Underwriters Laboratories (UL), Inc.

**Type-B Vent** - These vents are made of noncombustible, corrosion resistant material. They are certified by a nationally recognized testing agency. Type-B vents are double-walled pipe. Clearances to combustible construction must be in accordance with the listing of the particular type-B vent. Type-B vents are currently listed as B-1, B-1 1/2, and B-2.

The illustrations below show both vent types. The illustration shows typical construction of each type of venting system. Minimum clearances and lengths are added to the illustrations.



**Figure 5 - Typical Construction of Venting Systems**

# INSTALLING HEATER

*Continued*

## CONNECTING TO GAS SUPPLY

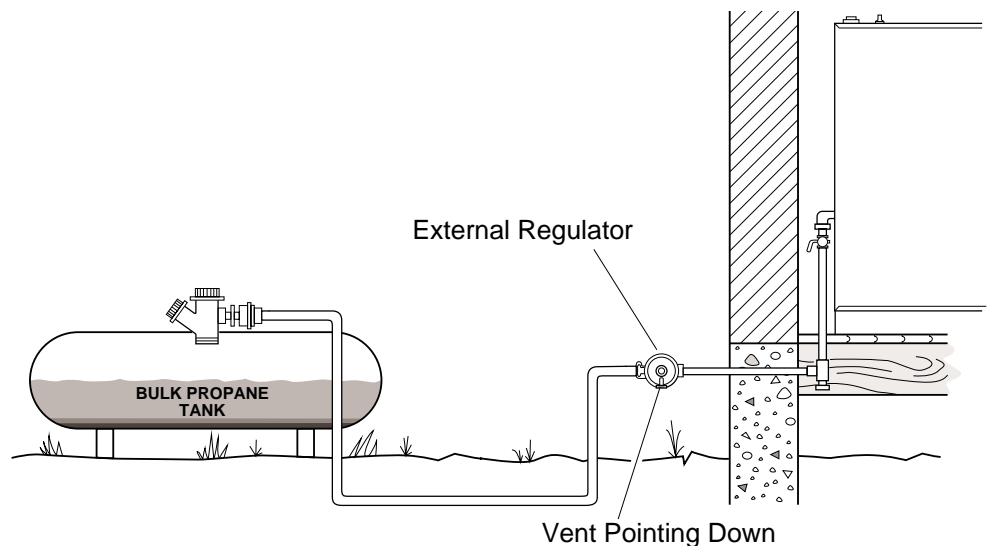
### **⚠ WARNING**

A qualified service person must connect heater to gas supply. Follow all local codes.

### **⚠ CAUTION**

Never connect heater directly to the propane supply. This heater requires an external regulator (not supplied). Install the external regulator between the heater and propane supply.

The installer must supply an external regulator. The external regulator will reduce incoming gas pressure. You must reduce incoming gas pressure to between 11 and 14 inches of water. If you do not reduce incoming gas pressure, heater regulator damage could occur. Install external regulator with the vent pointing down as shown in Figure 6. Pointing the vent down protects it from freezing rain or sleet.



**Figure 6 - External Regulator with Vent Pointing Down**

### **⚠ CAUTION**

Use only new, black iron or steel pipe. Copper tubing may be used in certain areas. Check your local codes. Use pipe that is 1/2" in diameter or greater to allow proper gas volume to heater. If pipe is too small, undue loss of pressure will occur.

The gas supply line to your heater must be 1/2 inch in diameter or larger. If the supply line branches to serve two or more heaters, the line from the branch back to the external regulator must be doubled or tripled, etc., in size (depending upon the number of heaters). *Example for 1/2 inch diameter supply line:* If the supply line branches to serve two heaters, the line diameter from the branch back to the external regulator must be at least 1 inch. If three heaters are served, the line diameter from the branch back to the external regulator must be at least 1 1/2 inches.

*Note:* If gas supply line total length exceeds forty feet, use a larger diameter pipe. Use pipe that is the next size larger than the heater control valve fitting.

*Continued*

# INSTALLING HEATER

*Continued*

Installation must include a manual shutoff valve, ground joint union, plugged 1/8" NPT tap and a sediment trap. Locate NPT tap within reach for test gauge hook up. NPT tap must be upstream from heater (see Figure 7).

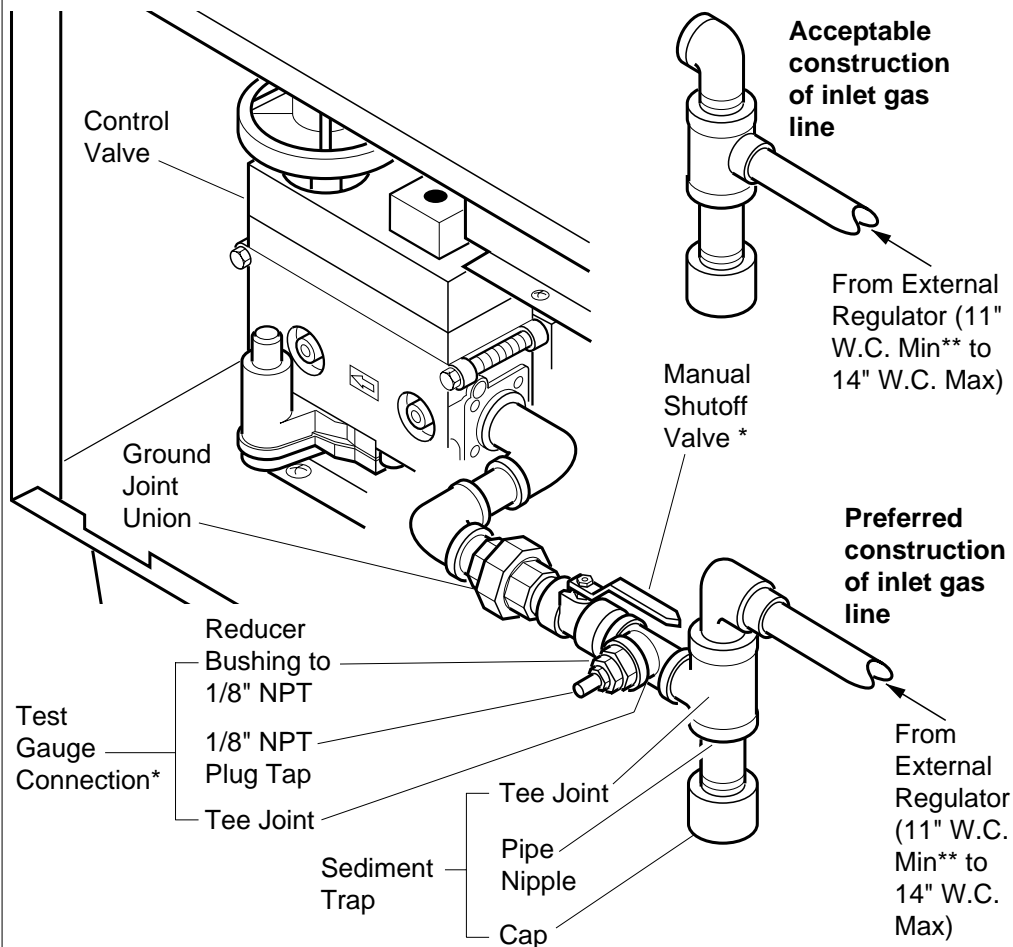
Apply pipe joint sealant lightly to male threads. This will prevent excess sealant from going into pipe. Excess sealant in pipe could result in clogged heater valves.

## ⚠ CAUTION

**Use pipe joint sealant that is resistant to liquid petroleum (LP) gas.**

Install sediment trap in supply line as shown in Figure 7. Locate sediment trap where it is within reach for cleaning. Locate sediment trap where trapped matter is not likely to freeze. A sediment trap traps moisture and contaminants. This keeps them from going into heater controls. If sediment trap is not installed or is installed wrong, heater may not run properly.

**IMPORTANT:** Use two pipe wrenches when connecting gas piping to gas control valve of heater. This will prevent turning or damaging control valve.



**Figure 7 - Gas Connection**

\* An A.G.A. design-certified manual shutoff valve with 1/8" NPT tap is an acceptable alternative to test gauge connection. Purchase the optional A.G.A. design-certified manual shutoff valve from your dealer. See *Accessories*, page 35.

\*\* For purposes of input adjustment.

# INSTALLING HEATER

*Continued*

## CHECKING GAS CONNECTIONS

### **⚠ WARNING**

Test all gas piping and connections for leaks after installing or servicing. Correct all leaks at once.

### **⚠ WARNING**

Never use an open flame to check for a leak. Apply a mixture of liquid soap and water to all joints. Bubbles forming show a leak. Correct all leaks at once.

### **⚠ CAUTION**

Make sure external regulator has been installed between propane supply and heater. See guidelines under *Connecting to Gas Supply*, page 11.

## Pressure Testing Gas Supply Piping System

### Test Pressures In Excess of 1/2 PSIG

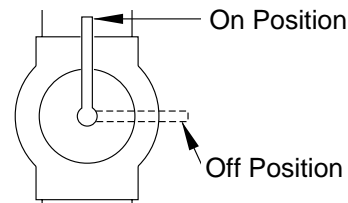
1. Disconnect heater and its individual manual shutoff valve from gas supply pipe. Pressures in excess of 1/2 PSIG will damage heater regulator.
2. Cap off open end of gas pipe where manual shutoff valve was connected.
3. Pressurize supply piping system by either using compressed air or opening propane supply tank valve.
4. Check all joints of gas supply piping system. Apply mixture of liquid soap and water to gas joints. Bubbles forming show a leak.
5. Correct all leaks at once.

### Test Pressures Equal To or Less Than 1/2 PSIG

1. Close manual shutoff valve (see Figure 8).
2. Pressurize supply piping system by either using compressed air or opening propane supply tank valve.
3. Check all joints from propane supply tank to manual shutoff valve. Apply mixture of liquid soap and water to gas joints. Bubbles forming show a leak.
4. Correct all leaks at once.

## Pressure Testing Heater Gas Connections

1. Open manual shutoff valve (see Figure 8).
2. Open propane supply tank valve.
3. Make sure control knob of heater is in the OFF position.
4. Check all joints from manual shutoff valve to control valve on heater. Apply mixture of liquid soap and water to gas joints. Bubbles forming show a leak.
5. Correct all leaks at once.
6. Light heater (see *Operating Heater*, pages 20 through 22). Check the rest of the internal joints for leaks.
7. Turn off heater (see *To Turn Off Gas to Appliance*, page 22).



**Figure 8 - Manual Shutoff Valve**

*Continued* **13**

# INSTALLING HEATER

*Continued*

## INSTALLING GLASS PANEL

1. Locate the glass panel package inside the back of the heater.

### CAUTION

Before installing glass panels, inspect the edges. If you notice any chips or cracks, do not install. If the surface on either side is deeply scratched, do not install. If these conditions exist, call DESA International's Technical Service Department at 1-800-323-5190 for replacement glass panels.

### CAUTION

Do not operate heater without glass panels installed. Operating heater without glass panels will damage front of heater due to excess temperatures.

### CAUTION

Glass panels may have sharp edges. Handle with care.

2. Remove lower front access panel of heater by removing two screws at upper corners of panel. The lower front access panel covers the lower front access area (see Figure 9).
3. Remove two screws on glass guard. Remove glass guard (see Figure 9).
4. Carefully insert one glass panel up through lower front access area (see Figure 10, page 15).
5. Carefully slip glass panel behind hearth assembly (see Figure 10, page 15).

Glass  
Guard

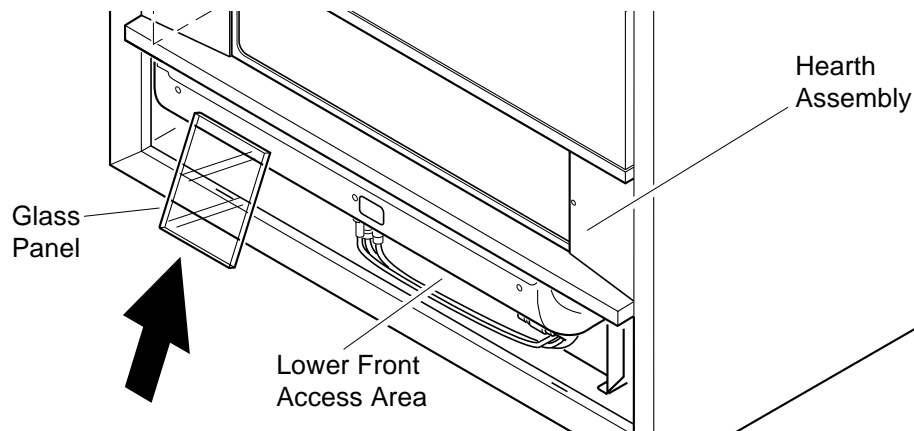
Lower Front  
Access Panel

**Figure 9 - Removing Lower Front Access Panel**

# INSTALLING HEATER

*Continued*

6. Insert top edge of glass panel into the upper glass retaining channel (see Figure 11).



**Figure 10 - Inserting Glass Panels**

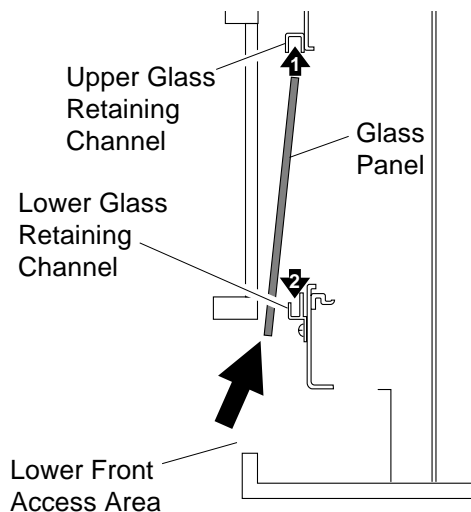
## **⚠ CAUTION**

**Make sure you insert top edge of glass panels into the upper glass retaining channel. Do not install glass panels with top edge of glass in front of the upper glass retaining channel. Glass panels will not automatically go into the channel. You must guide the glass panels into it. Incorrect installation will damage front of heater due to excess temperatures.**

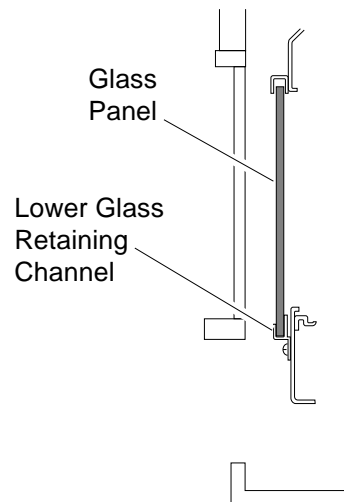
7. Lower glass into lower glass retaining channel (see Figure 12). Slide glass panel all the way to the left side.

*Note:* If you have chipped or cracked a glass panel during installation, do not use. Contact DESA International's Technical Service Department at 1-800-323-5190 for a replacement glass panel.

8. Repeat steps 4 through 7 for all glass panels.
9. Reinstall glass guard. Reinstall lower front access panel of heater.



**Figure 11 - Inserting Top Edge of Glass Panel into Upper Glass Retaining Channel**



**Figure 12 - Inserting Glass into Lower Retaining Channel**

*Continued*

## FRESH AIR FOR COMBUSTION AND VENTILATION

### **WARNING**

**This heater must have fresh air for proper operation. If not, poor fuel combustion and improper venting of flue gases will result. Carbon monoxide poisoning from backed-up flue gases could occur. Read the following instructions to insure proper fresh air for this and other fuel-burning appliances in your home.**

Today's homes are built more energy efficient than ever. New materials, increased insulation, and new construction methods help reduce heat loss in homes. Home owners weather strip and caulk around windows and doors to keep the cold air out and the warm air in. During heating months, home owners want their homes as airtight as possible.

While it is good to make your home energy efficient, it is not good to make it too airtight. Your home needs to breathe. If your home is too airtight, fresh air has little chance of entering in. This could be dangerous if you have fuel-burning appliances. These appliances need fresh, outside air for proper combustion and ventilation.

Exhaust fans, fireplaces, clothes dryers, and fuel-burning appliances draw air from the house to operate. This heater is a fuel-burning appliance. It uses air from inside the house for combustion. It also uses this air as a draft for venting. This draft air helps move combustion gases through the vent pipe to the outdoors. If your house is too airtight, there is not enough fresh air for these items to use. Fresh air may draw back into the house through venting flues and chimneys. This will keep fuel-burning appliances from venting properly. This may cause them to release poisonous carbon monoxide gas into your home. It is very important to provide enough fresh air to run all fuel-burning appliances.

### **DANGER**

**Carbon monoxide poisoning may lead to death!**

Carbon monoxide is a colorless, odorless gas. Early signs of carbon monoxide poisoning resemble the flu, with headaches, dizziness, and/or nausea. If you have these signs, the heater may not be operating or venting properly. **Get fresh air at once!** Have heater or heater venting system serviced. Some people are more affected by carbon monoxide than others. These include pregnant women, persons with heart and lung disease and anemia, those under the influence of alcohol, and those at high altitudes.



# FRESH AIR FOR COMBUSTION AND VENTILATION

*Continued*

## DETERMINING FRESH-AIR FLOW FOR HEATER LOCATION

### Example 1: Locating Heater in Unconfined (Open) Area

#### NOTICE

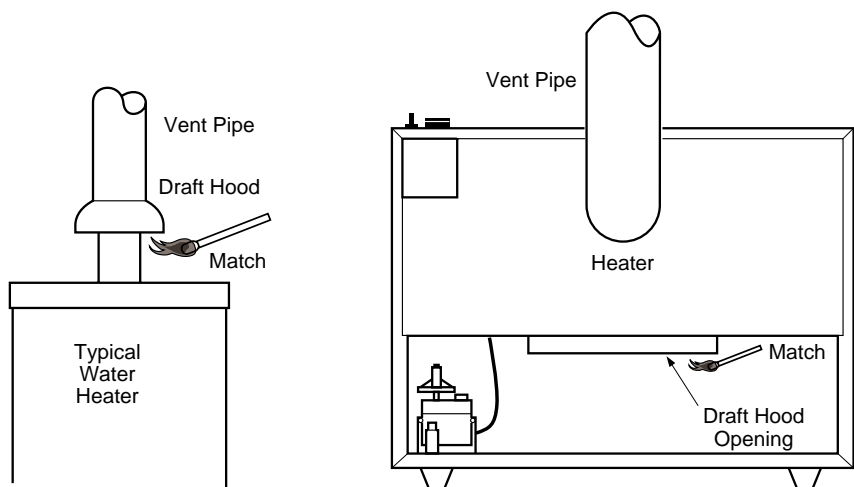
An unconfined area has a minimum air volume of 50 cubic feet for each 1000 BTU/Hr input rating of all appliances in the area (cubic feet equals length x width x height of area). Include adjoining rooms only if there are no doors between the rooms or if you add ventilation grills between the rooms (see *Ventilating Confined Area*, page 19).

In an open area, the air that leaks around doors and windows may provide enough fresh air for combustion and ventilation.

#### Draft Hood Spillage Test

Follow the steps below to see if enough fresh air is available.

1. Close all windows and doors.
2. If you have a fireplace, start a fire. Build fire until flames are burning strongly.
3. Turn on all exhaust fans. These include exhaust fans for kitchen, bathroom, water heaters (gas or electric), etc.
4. Turn on all vented gas appliances. These include any room heaters, water heaters, clothes dryer, etc.
5. Wait ten minutes for drafts to regulate.
6. Check for draft-hood spillage at each vented gas appliance. Do this by holding a lit match two inches from the draft opening (see Figure 13). If match flame pulls toward the draft hood, there is no spillage. If match flame blows away from the draft hood, there is spillage. This is a hazardous condition. See *Draft Hood Spillage*, page 18.



**Figure 13 - Checking for Draft Spillage**

**No Draft Hood Spillage:** This shows there is enough fresh air in area for appliances. Turn off all exhaust fans and appliances if desired.

*Continued*

# FRESH AIR FOR COMBUSTION AND VENTILATION

*Continued*

**Draft Hood Spillage:** This is a hazardous situation. Draft hood spillage releases poisonous carbon monoxide gas into your home.

**⚠ DANGER**

**Carbon monoxide poisoning may lead to death!**

If draft hood spillage occurs, check for blocked flue connectors, vent pipes, and chimneys. If you find blockage, remove. Test again for spillage. If spillage still occurs or there was no blockage, you need more fresh, outside air in the house. You must provide additional fresh-air ventilation. Follow the steps below at once.

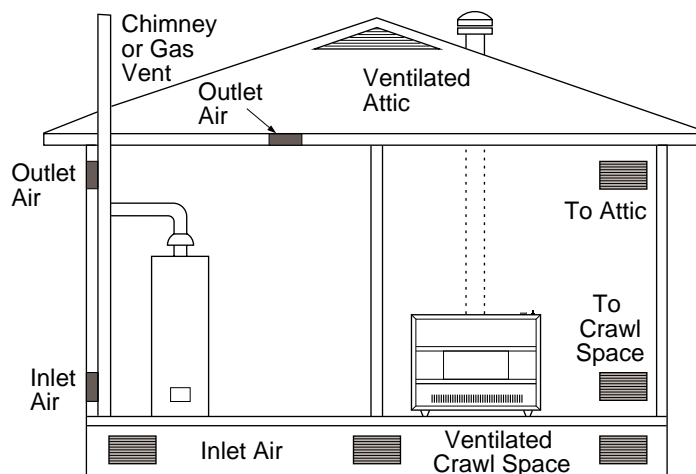
- A. Open a window near the appliance(s) at least two inches. Test again for spillage. If spillage does not stop, open window more and retest. If spillage stops, keep window open while running appliance(s). Supply fresh, outside air by a permanent method as soon as possible. If spillage still occurs, leave window open and go to next step.
- B. If you have a fireplace, open a window or door near it at least two inches. Test again for spillage. If spillage does not stop, open window or door more and retest. If spillage stops, keep window or door open while using fireplace. Supply fresh, outside air by a permanent method as soon as possible. If spillage still occurs, leave window or door open and go to next step.
- C. If you have kitchen and bathroom exhaust fans, turn them off. Test again for spillage. If spillage stops, do not use exhaust fans. Turn off circuit breakers for fans if possible. Permanently supply fresh, outside air as soon as possible.

## Providing Permanent Fresh-Air Ventilation

If draft hood spillage occurs, you must permanently supply fresh, outside air to the inside of your house. Provide extra fresh air by using ventilation grills or ducts. Connect these items directly to the outdoors or spaces open to the outdoors. These spaces include attics and crawl spaces. If you install this heater in an area with other gas appliances, you must total the BTU/Hr input rating of all appliances. Follow the National Fuel Gas Code NFPA 54/ANSI Z223.1. It lists fresh-air requirements for fuel-burning appliances.

**IMPORTANT**

**Do not provide openings for inlet or outlet air into attic if attic has a thermostat controlled power vent.**



**Figure 14 - Ventilation Air from Outdoors**

# FRESH AIR FOR COMBUSTION AND VENTILATION

*Continued*

## Example 2: Locating Heater in Confined (Closed) Area

### NOTICE

A confined area has an air volume of less than 50 cubic feet for each 1000 BTU/Hr input rating of all appliances in the area (cubic feet equals length x width x height of area). Include adjoining rooms only if there are no doors between the rooms.

If you install this heater in a confined area, you must provide additional fresh air.

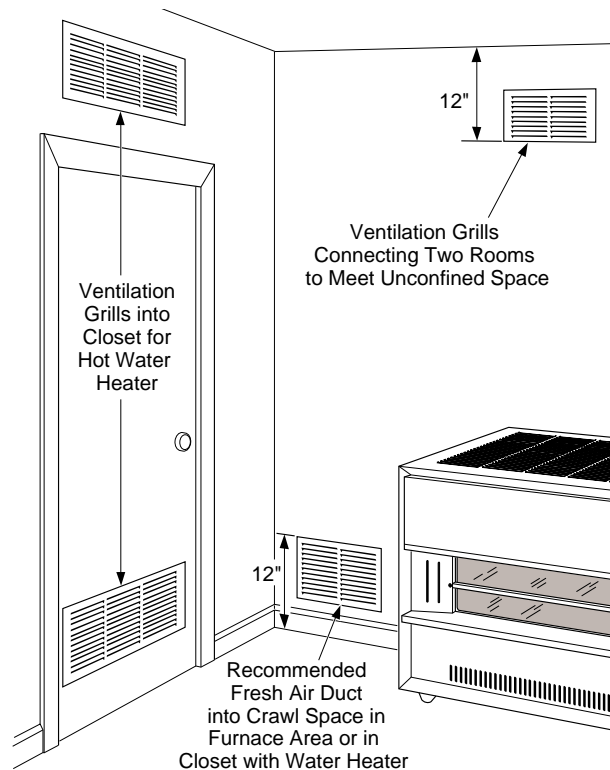
### Ventilating Confined Area

This fresh air would come from an adjoining open area or outdoors.

### WARNING

The adjoining open area must have enough fresh, outside air ventilation to supply any appliance in that area plus the confined area. Follow instructions under *Example 1: Locating Heater in Unconfined (Open) Area*, page 17 to make sure fresh air ventilation is adequate.

When ventilating to an adjoining open area, you must provide two permanent openings: one within 12" of the ceiling and one within 12" of the floor on the wall connecting the two areas. Follow the National Fuel Gas Code NFPA 54/ANSI Z223.1. It lists fresh-air requirements for fuel-burning appliances.



**Figure 15 - Ventilation Air from Inside Building**

After providing ventilation between rooms, check for draft hood spillage (see *Draft Hood Spillage Test*, page 17). If draft hood spillage still occurs, provide more ventilation between rooms or provide permanent ventilation from outdoors. See *Providing Permanent Fresh-Air Ventilation*, page 18.

# OPERATING HEATER

## ⚠ WARNING

Heater and venting system surfaces are very hot during operation. Keep children and adults away from hot surfaces to avoid burns and clothing ignition. Carefully supervise young children when they are in the same room as heater. Heater will remain hot for a time after shut down. Let surface cool before touching.

## NOTICE

If operating heater for the first time, a slight odor will occur. This odor will go away after a few hours of operation.

### FOR YOUR SAFETY READ BEFORE LIGHTING

## ⚠ WARNING

If you do not follow these instructions exactly, a fire or explosion may result causing property damage, personal injury or loss of life.

- A. This appliance has a pilot which must be lighted by hand. When lighting the pilot, follow these instructions exactly.
- B. **BEFORE LIGHTING** smell all around the appliance area for gas. Be sure to smell next to the floor because some gas is heavier than air and will settle on the floor.

#### WHAT TO DO IF YOU SMELL GAS

- Do not try to light any appliance.
  - Do not touch any electric switch; do not use any phone in your building.
  - Immediately call your gas supplier from a neighbor's phone. Follow the gas supplier's instructions.
  - If you cannot reach your gas supplier, call the fire department.
- C. Use only your hand to push in or turn the gas control knob. Never use tools. If the knob will not push in or turn by hand, don't try to repair it, call a qualified service technician or gas supplier. Force or attempted repair may result in a fire or explosion.
  - D. Do not use this appliance if any part has been under water. Immediately call a qualified service technician to inspect the appliance and to replace any part of the control system and any gas control which has been under water.

### LIGHTING INSTRUCTIONS

1. **STOP!** Read the safety information above.
2. If heater is equipped with a blower, turn off all electric power to the heater.
3. Make sure manual shutoff valve is fully open.
4. Locate control knob on top of heater. Fully depress control knob in any position other than PILOT to shut off burner and pilot.

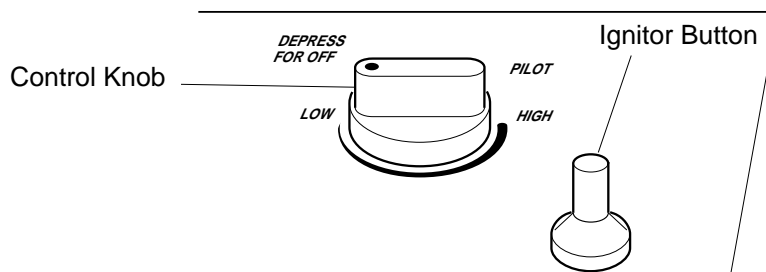




Figure 16 - Control Knob and Ignitor Button

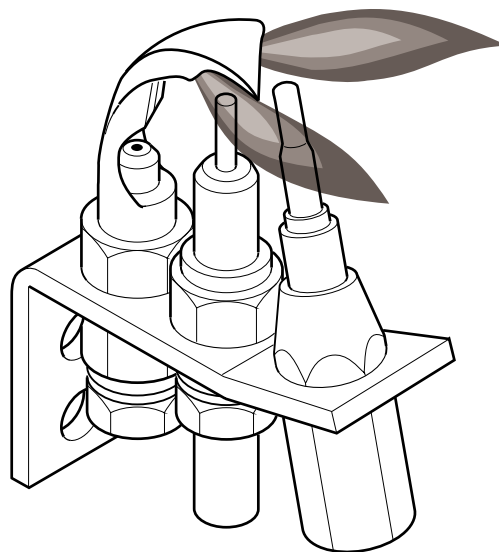
# OPERATING HEATER

*Continued*

5. Wait five (5) minutes to clear out any gas. Then smell for gas, including near the floor. If you smell gas, STOP! Follow “B” in the safety information at the top of page 20. If you don’t smell gas, go to the next step.
6. Turn control knob clockwise  to the PILOT position. Fully depress control knob for five seconds.  
**Note:** You may be running this heater for the first time after hooking up to gas supply. If so, you may need to depress control knob in for 15 seconds or more. This allows air to bleed from the gas system.
7. With control knob depressed, push down and release ignitor button. This will light pilot. The pilot is attached to the front of burner. You can see pilot through front glass of heater (see Figure 12). If needed, keep pressing ignitor button until pilot lights.  
**Note:** If pilot does not stay lit, refer to *Troubleshooting*, pages 26 through 29. Also contact a qualified service person or gas supplier for repairs. Until repairs are made, light pilot with match. To light pilot with match, see *Manual Lighting Procedure*, page 22.
8. Keep control knob depressed for 30 seconds after lighting pilot. After 30 seconds, release control knob.
  - If control knob does not pop up when released, contact a qualified service person or gas supplier for repairs.
  - Shut off gas immediately.**Note:** If pilot goes out, repeat steps 4 through 8.
9. If heater is equipped with a blower, turn on all electrical power to the heater.
10. Turn control knob counterclockwise  to desired setting.
11. If equipped, turn blower control to the AUTO or ON position (if desired).

## CAUTION

Do not try to adjust heating levels by using the manual shutoff valve.



**Figure 17 - Viewing Pilot**

# OPERATING HEATER

*Continued*

## MANUAL LIGHTING PROCEDURE

1. Remove lower front access panel on heater.
2. Locate pilot. Pilot is attached to the front of burner.
3. Follow steps 1 through 6 under *Lighting Instructions*, pages 20 and 21.
4. With control knob depressed, strike match. Hold match to pilot until pilot lights.
5. Follow steps 8 through 11 under *Lighting Instructions*, page 21.

## TO TURN OFF GAS TO APPLIANCE

### Shutting Off Heater

1. Fully depress control knob in any position other than PILOT to shut off burner and pilot.
2. If equipped, turn blower control to OFF position.

### Shutting Off Burner Only (pilot stays lit)

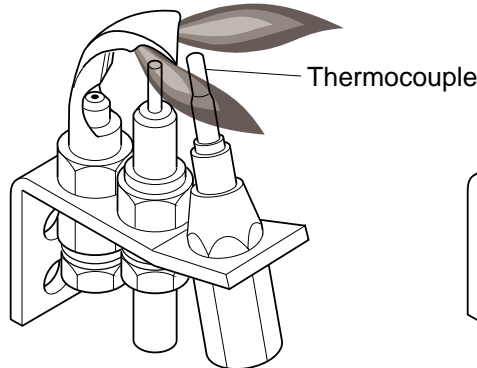
1. Turn control knob to the PILOT position. At this setting, only the pilot remains lit.

# INSPECTING PILOT AND BURNER FLAME

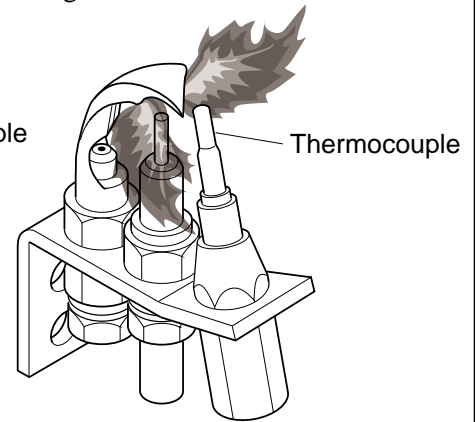
Check pilot flame pattern and burner flame pattern often.

## PILOT FLAME PATTERN

Figure 18 shows a correct pilot flame pattern. Figure 19 shows an incorrect pilot flame pattern. The incorrect pilot flame is not touching the thermocouple. This will prevent the thermocouple from getting hot, causing the heater to shut down.



**Figure 18 - Correct Pilot  
Flame Pattern**



**Figure 19 - Incorrect  
Pilot Flame Pattern**

If pilot flame pattern is incorrect, as shown in Figure 19

- turn heater off (see *To Turn Off Gas to Appliance*, page 22)
- contact a qualified service person

## BURNER FLAME PATTERN

*Note:* To view burner flame, look through front glass of heater.

Figure 20, page 24 shows a correct burner flame pattern. Figure 21, page 24 shows two incorrect burner flame patterns. The two incorrect flame patterns show high yellow flames and flames lifting off of burner.

### **⚠ WARNING**

**If high yellow flame occurs, your heater could produce increased levels of carbon monoxide. If burner flame is incorrect, follow instructions on page 24.**

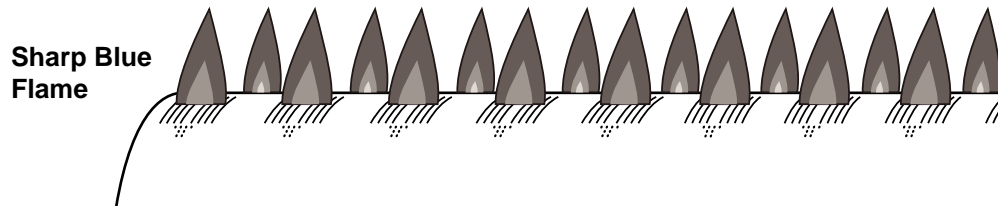
### **NOTICE**

**Do not mistake orange flames with yellow flame. Dirt or other fine dust particles enter the heater and burn causing brief patches of orange flame.**

*Continued*

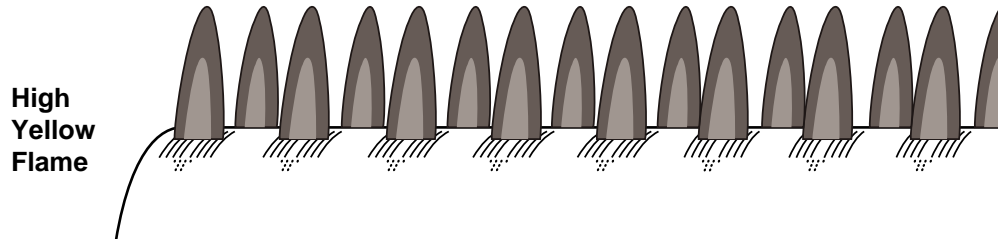
# INSPECTING PILOT AND BURNER FLAME

*Continued*

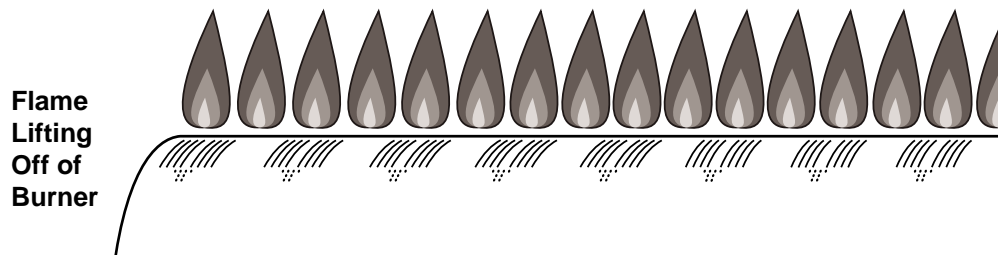


Sharp Blue  
Flame

**Figure 20 - Correct Burner Flame Pattern**



High  
Yellow  
Flame



Flame  
Lifting  
Off of  
Burner

**Figure 21 - Incorrect Burner Flame Patterns**

If burner flame pattern is incorrect, as shown in Figure 21

- turn heater off (see *To Turn Off Gas to Appliance*, page 22)
- see *Troubleshooting*, pages 26 through 29.



# CLEANING AND MAINTENANCE

## WARNING

Turn off heater and let cool before cleaning or servicing.

## WARNING

Keep heater clear and free from combustible materials, gasoline, and other flammable vapors and liquids.

## CAUTION

You must keep control areas, burner, and circulating air passageways of heater clean. Inspect these areas of heater before each use. Have heater and venting system inspected yearly by a qualified service person. Heater may need more frequent cleaning due to excessive lint from carpeting, bedding material, etc.

### CABINET

#### Air Passageways

- Use a vacuum cleaner or pressurized air to clean.

#### Exterior

- Use a soft cloth dampened with a mild soap and water mixture. Wipe the cabinet to remove dust.

### COMBUSTION CHAMBER AND BURNER

Clean the combustion chamber and burner if you have run the heater with a high yellow flame. Incomplete combustion from lack of air causes the yellow flame. This will deposit soot inside the combustion chamber and on the burner. To clean combustion chamber and burner, you must remove the burner from heater. See *Service Procedures*, page 31, to remove burner. After removing burner, blow inside of combustion chamber clean with compressed air. Clean burner with a soft-bristled brush. Blow soot from burner with compressed air.

### PILOT

Use a vacuum cleaner, compressed air, or small, soft-bristled brush to clean.

### BURNER ORIFICE

Use a vacuum cleaner, compressed air, or small, soft-bristled brush to clean. You can also use a tooth pick to clean orifice. Do not enlarge or damage orifice hole.

### PILOT AND BURNER FLAME

Check the pilot and burner flame monthly. Make sure pilot and burner flame is burning correctly. See *Inspecting Pilot and Burner Flame*, page 23.

### VENTING SYSTEM

Check the venting system at least once a year. Make sure joints are secure and vent pipe is in good condition. Do not obstruct combustion and ventilation air entering the rear of heater.

# TROUBLE-SHOOTING

*Note:* All troubleshooting items are listed in order of operation.

## WARNING

Turn off and unplug heater and let cool before servicing. Unless you need gas supply for testing, shut off manual shutoff valve before servicing. Only a qualified service person should service and repair heater and venting system.

## CAUTION

Never use a wire, needle, or similar object to clean pilot. This can damage pilot.

OBSERVED PROBLEM	POSSIBLE CAUSE	REMEDY
When ignitor button is pressed, there is no spark at pilot.	1. Incorrect spark gap.	1. Adjust spark gap to 1/16".
	2. Ignitor electrode positioned wrong.	2. Replace ignitor.
	3. Ignitor electrode broken.	3. Replace ignitor.
	4. Ignitor electrode not connected to ignitor cable.	4. Reconnect ignitor cable.
	5. Ignitor cable pinched or wet.	5. Free ignitor cable if pinched by any metal or tubing. Keep ignitor cable dry.
	6. Piezo ignitor nut is loose.	6. Tighten nut holding piezo ignitor to heater cabinet. Nut is located inside heater cabinet at top.
	7. Broken or frayed ignitor cable.	7. Replace ignitor cable.
	8. Loose ignitor cable.	8. Reconnect ignitor cable.
	9. Bad piezo ignitor.	9. Replace piezo ignitor.
When ignitor button is pressed, there is spark at pilot but no ignition.	1. Gas supply turned off or manual shutoff valve closed.	1. Turn on gas supply or open manual shutoff valve.
	2. Control knob not in PILOT position.	2. Turn control knob to PILOT position.
	3. Control knob not pressed in while in PILOT position.	3. Press in control knob while in PILOT position.
	4. Air in gas lines when installed.	4. Continue holding down control knob. Repeat igniting operation until air is removed.
	5. Depleted gas supply.	5. Contact local propane gas company.
	6. Pilot is clogged.	6. Clean pilot (see <i>Cleaning and Maintenance</i> , page 25) or replace pilot assembly.
	7. Gas regulator setting is not correct.	7. Replace control valve.

# TROUBLE-SHOOTING

*Continued*

OBSERVED PROBLEM	POSSIBLE CAUSE	REMEDY
Pilot lights but flame goes out when control knob is released.	<ol style="list-style-type: none"> <li>1. Manual shutoff valve not fully open.</li> <li>2. Control knob not fully pressed in.</li> <li>3. Control knob not pressed in long enough.</li> <li>4. Safety interlock system has been triggered.</li> <li>5. Thermocouple connection loose at control valve.</li> <li>6. Pilot flame not touching thermocouple, which allows thermocouple to cool, causing pilot flame to go out. This problem could be caused by any or all of the following:               <ol style="list-style-type: none"> <li>A) Improperly adjusted pilot flame</li> <li>B) Low gas pressure</li> <li>C) Dirty or partially clogged pilot</li> </ol> </li> <li>7. Thermocouple damaged.</li> <li>8. Control valve damaged.</li> </ol>	<ol style="list-style-type: none"> <li>1. Fully open manual shutoff valve.</li> <li>2. Press in control knob fully.</li> <li>3. After pilot lights, keep control knob pressed in 30 seconds.</li> <li>4. Wait one minute for safety interlock system to reset. Repeat ignition.</li> <li>5. Hand tighten until snug, then tighten 1/4 turn more.</li> <li>6. <b>A)</b> Contact qualified service person to properly adjust pilot flame. <b>B)</b> Contact local propane gas company. <b>C)</b> Clean pilot (see <i>Cleaning and Maintenance</i>, page 25) or replace pilot assembly.</li> <li>7. Replace thermocouple.</li> <li>8. Replace control valve.</li> </ol>
Burner does not light after pilot is lit.	<ol style="list-style-type: none"> <li>1. Safety interlock system has been inadvertently triggered.</li> <li>2. Burner orifice is clogged.</li> <li>3. Burner orifice diameter is too small.</li> <li>4. Inlet gas pressure is too low.</li> </ol>	<ol style="list-style-type: none"> <li>1. Fully depress control knob in any position other than pilot and release. Wait one minute for safety interlock system to reset. Repeat ignition.</li> <li>2. Clean burner (see <i>Cleaning and Maintenance</i>, page 25) or replace burner orifice.</li> <li>3. Replace burner orifice.</li> <li>4. Contact local propane gas company.</li> </ol>
Delayed ignition of burner.	<ol style="list-style-type: none"> <li>1. Manifold pressure is too low.</li> <li>2. Burner orifice is clogged.</li> </ol>	<ol style="list-style-type: none"> <li>1. Contact local propane gas company.</li> <li>2. Clean burner (see <i>Cleaning and Maintenance</i>, page 25 or replace burner orifice.</li> </ol>

*Continued*

# TROUBLE-SHOOTING

*Continued*

OBSERVED PROBLEM	POSSIBLE CAUSE	REMEDY
Burner backfiring during combustion.	1. Burner orifice is clogged or damaged.	1. Clean burner (see <i>Cleaning and Maintenance</i> , page 25) or replace burner orifice.
	2. Burner damaged.	2. Replace burner.
	3. Gas regulator defective.	3. Replace control valve.
	4. Delayed ignition.	4. See above.
Yellow flame during burner combustion.	1. Not enough air.	1. <b>A)</b> Check burner for dirt and debris. If found, clean burner (see <i>Cleaning and Maintenance</i> , page 25).
	2. Gas regulator defective.	2. Replace control valve.
Slight smoke or odor during initial operation.	1. Residues from manufacturing processes.	1. Problem will stop after a few hours of operation.
Burner fails to respond to thermostat.	1. Pilot flame not lit.	1. Light pilot burner (see <i>Lighting Instructions</i> , page 20).
	2. Pilot flame not properly heating end of thermocouple.	2. Pilot flame needs adjusting. Contact a qualified service person.
	3. Pilot burner orifice clogged or damaged.	3. Clean pilot burner (see <i>Cleaning and Maintenance</i> , page 25).
	4. Control valve defective.	4. Replace control valve.
	5. Temperature at thermostat bulb satisfied.	
Heater produces a whistling noise when burner is lit.	1. Air in gas line.	1. Operate burner until air is removed from line. Have gas line checked by local propane gas company.
	2. Air passageways on heater blocked.	2. Observe minimum installation clearances (see Figure 3, page 7).
	3. Dirty or partially clogged burner orifice.	3. Clean burner (see <i>Cleaning and Maintenance</i> , page 25) or replace burner orifice.

# TROUBLE-SHOOTING

*Continued*

## WARNING

If you smell gas

- Shut off gas supply.
- Do not try to light any appliance.
- Do not touch any electrical switch; do not use any phone in your building.
- Immediately call your gas supplier from a neighbor's phone. Follow the gas supplier's instructions.
- If you cannot reach your gas supplier, call the fire department.

OBSERVED PROBLEM	POSSIBLE CAUSE	REMEDY
Heater produces a clicking/ticking noise just after burner is lit or shut off.	1. Metal expanding while heating or contracting while cooling.	1. This is common with most heaters. If noise is excessive, contact qualified service person.
Heater produces unwanted odors.	1. Heater burning vapors from paint, hair spray, glues, etc. 2. Low fuel supply. 3. Gas leak. <b>See Warning statement at top of page.</b>	1. Ventilate room. Stop using odor causing products while heater is running. 2. Refill supply tank. 3. Find and correct all leaks (see <i>Checking Gas Connections</i> , page 13).
Heater shuts off in use.	1. Heater not venting correctly. Vent safety switch shuts off heater.  2. Low line pressure.  3. Pilot partially clogged.	1. Check venting system. If damaged or blocked, repair. If venting system is OK, have qualified service person replace vent safety switch, wire harness, or thermocouple interrupter.  2. Contact local propane gas company.  3. Clean pilot (see <i>Cleaning and Maintenance</i> , page 25).
Gas odor even when control knob is in OFF position.	1. Gas leak. <b>See Warning statement at top of page.</b> 2. Control valve damaged.	1. Find and correct all leaks (see <i>Checking Gas Connections</i> , page 13). 2. Replace control valve.
Gas odor during combustion.	1. Foreign matter between control valve and burner. 2. Gas leak. <b>See Warning statement at top of page.</b> 3. Foreign fumes in area of heater being drawn through burner combustion.	1. Take apart gas tubing and remove foreign matter. 2. Find and correct all leaks (see <i>Checking Gas Connections</i> , page 13). 3. Ventilate area around heater to remove any foreign fumes.

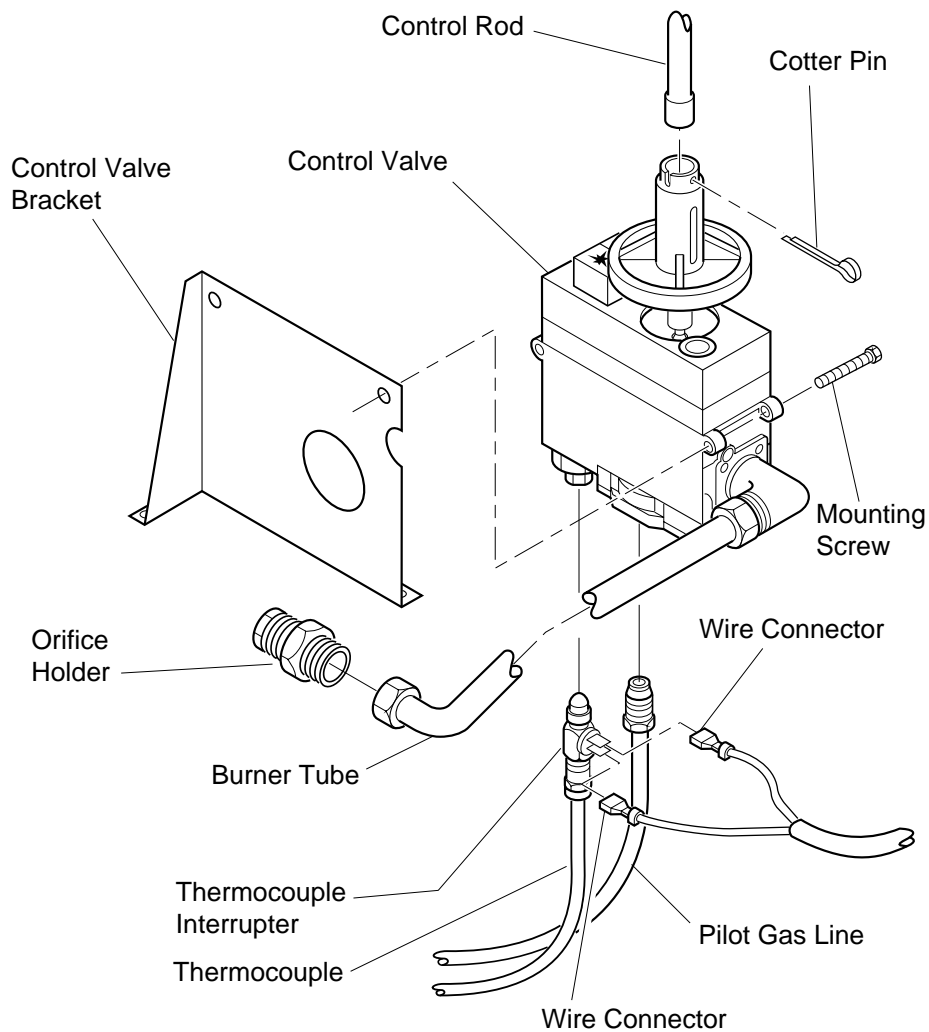
# SERVICE PROCEDURES

## Removing Control Valve and Burner Tube

1. Shut off gas supply to heater.
2. Remove lower front access panel on heater.
3. Disconnect burner tube from orifice holder (see Figure 22).
4. Remove pilot gas line from control valve (see Figure 22).
5. Disconnect wire connectors from thermocouple interrupter (see Figure 22).
6. Remove thermocouple and thermocouple interrupter from control valve.
7. Remove cotter pin from control valve. This releases the control rod from valve (see Figure 22).
8. Remove the two mounting screws from control valve mounting bracket (see Figure 22).
9. Remove assembly from the rear of heater.
10. To reinstall, reverse above steps. Turn on gas to heater and check for gas leaks. Apply a mixture of liquid soap and water to all joints. Bubbles forming show a leak. Correct all leaks at once.
11. Replace lower front access panel.

## **⚠ WARNING**

Turn off and unplug heater and let cool before servicing. Unless you need gas supply for testing, shut off manual shutoff valve before servicing. Only a qualified service person should service and repair heater and venting system.



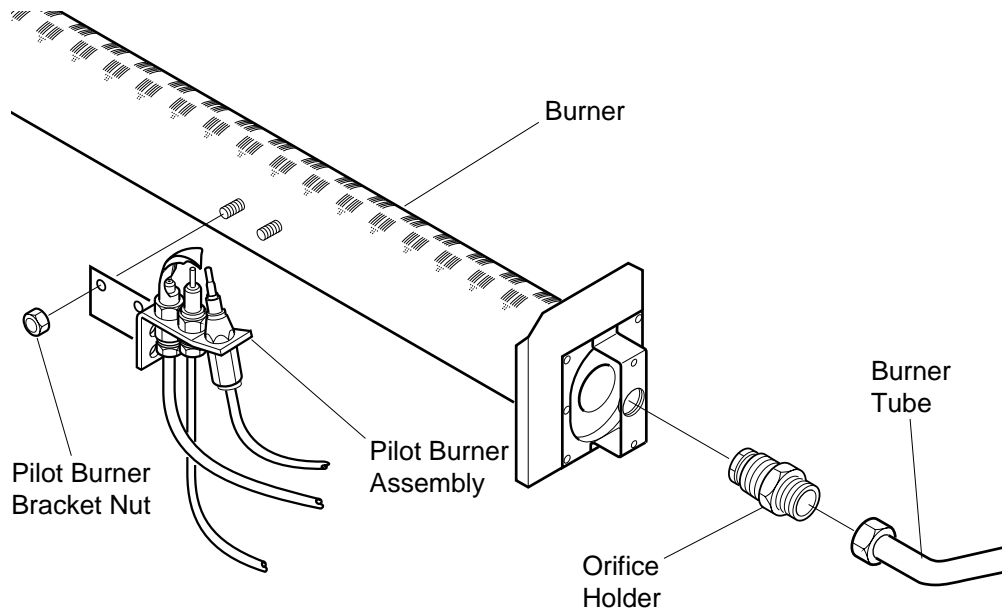
**Figure 22 - Removing Control Valve and Burner Tube**

# SERVICE PROCEDURES

*Continued*

## Removing Burner

1. Shut off gas supply to heater.
2. Remove lower front access panel on heater.
3. Disconnect burner tube from orifice holder (see Figure 23).
4. Remove orifice holder from burner (see Figure 23).
5. Remove pilot burner bracket nuts and remove pilot assembly (see Figure 23).
6. Move burner to the right for clearance. Rotate burner 90° and remove burner through lower front access opening.
7. To reinstall, reverse above steps. Turn on gas to heater and check for gas leaks. Apply a mixture of liquid soap and water to all joints. Bubbles forming show a leak. Correct all leaks at once.
8. Replace lower front access panel.



**Figure 23- Removing Burner Tube, Orifice Holder, and Pilot Burner Assembly (35,000 BTU/Hr Burner Shown)**

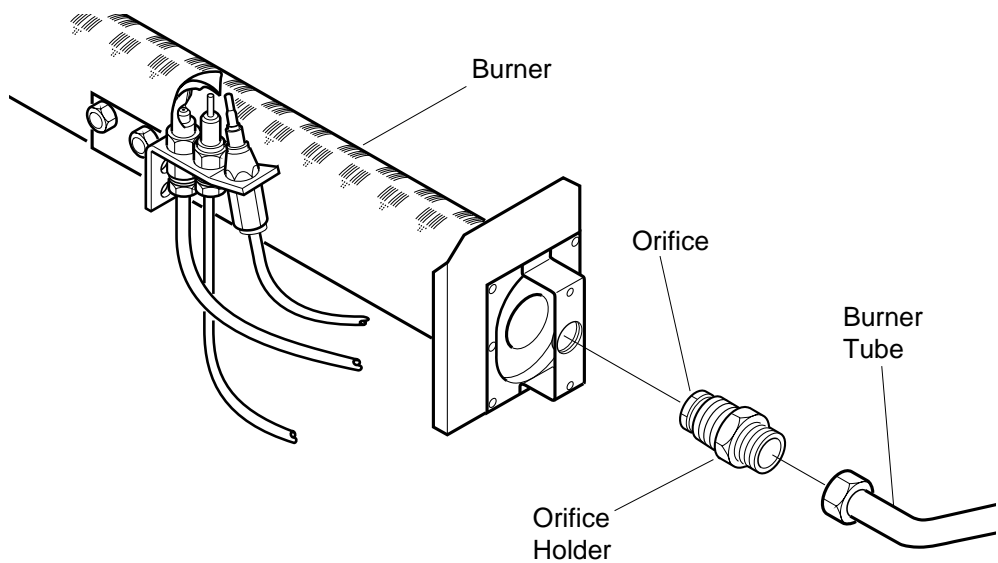
*Continued*

# SERVICE PROCEDURES

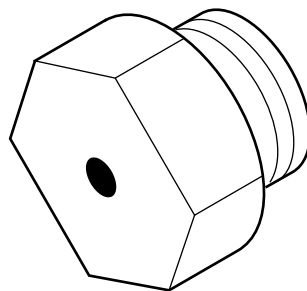
*Continued*

## Changing Burner Orifice

1. Shut off gas supply to heater.
2. Remove lower front access panel on heater.
3. Disconnect burner tube from orifice holder (see Figure 24).
4. Remove orifice holder from burner (see Figure 24).
5. Use socket or open-end wrench to remove the old orifice from the orifice holder.
6. Clean and replace orifice, or replace with new orifice.
7. Turn on gas to heater and check for gas leaks. Apply a mixture of liquid soap and water to all joints. Bubbles forming show a leak. Correct all leaks at once.
8. Replace lower front access panel.



**Figure 24 - Orifice Location (35,000 BTU/Hr Burner Shown)**



**Figure 25 - Orifice**



## TECHNICAL SERVICE

You may have further questions about installation, operation, or troubleshooting. If so, contact DESA International's Technical Service Department at 1-800-323-5190.

## SPECIFICATIONS

	<b>35,000 BTU/Hr Model</b>	<b>50,000 BTU/Hr Model</b>
BTU	35,000	50,000
Type Gas	Propane Only	Propane Only
Ignition	Piezo	Piezo
Pressure Regulator Setting	10.5" W.C.	10.5" W.C.
Inlet Gas Pressure		
Maximum	14" W.C.	14" W.C.
Minimum	11" W.C.	11" W.C.
Dimensions, Inches		
Heater (H x W x D)	25 x 27 1/4 x 16	28 x 32 1/2 x 16
Shipping Weight (pounds)	78	98
Flue Vent Size	4" dia.	4" dia.
Orifice Size	52 drill, $\phi$ .0635	46 drill, $\phi$ .081

*Note:* These heaters are certified for elevations of 0-4500 feet above sea level. For elevations above 2000 feet, de-rate heater 4% for each 1000 feet above sea level.

## SERVICE HINTS

### **When gas pressure is too low**

- pilot will not stay lit
- burner will have delayed ignition
- heater will not produce specified heat
- propane gas supply may be low

### **When gas quality is bad**

- pilot will not stay lit
- burner will produce yellow flames and soot
- heater will backfire when lit

You may feel your gas pressure is too low or gas quality is bad. If so, contact your local propane gas supplier.

# ORDERING REPLACEMENT PARTS

# PARTS CENTRALS

*Note:* Use only original replacement parts. This will protect your warranty coverage for parts replaced under warranty.

## Parts Under Warranty

Contact your nearest dealer or call DESA International's Technical Service Department at 1-800-323-5190.

When calling DESA International, have ready

- your name
- your address
- model number of your heater
- how heater was malfunctioning
- type of gas used (propane or natural gas)
- purchase date

Usually, we will ask you to return the defective part to the factory.

## Parts Not Under Warranty

Contact your nearest dealer. If they can't supply original replacement part(s), either contact your nearest Parts Central (below) or call DESA International's Parts Department at 1-800-972-7879.

When calling DESA International, have ready

- model number of your heater
- the replacement part number

These Parts Centrals are privately owned businesses. They have agreed to support our customer's needs by providing original replacement parts and accessories. For certain parts, some Parts Centrals may refer you to a dealer in your area. When calling a Parts Central, ask for the Parts Department.

### Howard Industries

1514 South Maple Ave.  
Los Angeles, CA 90015  
213-747-5121

### Victor Manufacturing

42 Rumsey Road  
E. Hartford, CT 06108  
NY, NJ, DE, PA, MD  
203-289-4223

### Controlled Engineering

299 Roosevelt Road  
Glen Ellyn, IL 60137  
708-469-7300

### Portable Heater Parts

342 N. County Rd 400E  
Valparaiso, IN 46383  
All States  
219-462-7441  
1-800-362-6951

### FBD

601 Hope Street  
Bowling Green, KY 42101  
502-796-8406  
800-654-8534

### American Air Dist.

537 W. 62nd Street  
Shreveport, LA 71108  
318-861-0634

### Master Service Center

1184 Wilson  
Grand Rapids, MI 49504  
616-791-4760  
800-446-1446

### Washer Equipment Co.

1715 Main Street  
Kansas City, MO 64108  
KS, MO, AR  
816-842-3911

### Controls, Inc.

6820 Glenwood Ave.  
Raleigh, NC 27612  
NC, SC, VA, MD  
919-787-2242  
1-800-334-5886

### Taratin Tank Co.

P.O. Box 6129  
Freehold, NJ 07728  
908-780-9340  
800-922-0724

### East Coast Energy

707 Broadway  
W. Long Branch, NJ 07764  
908-870-8809  
1-800-755-8809

### ATP Services

990 Avenue of Americas  
New York, NY 10018  
212-967-6255

### Dayton Hardware

P. O. Box 275  
North Dayton Station  
Dayton, OH 45404  
All States  
513-258-3721  
OH only 1-800-762-3426

### Central Air Supply

424 North Rockwell  
Oklahoma City, OK 73127  
405-495-0014

### Warmer Image/Halco Enterprises

208 Carter Dr., Unit 21  
West Chester, PA 19382  
215-696-2670  
1-800-368-0803

### LaPorte's Parts & Service

2444 North 5th Street  
Hartsville, SC 29550  
803-879-3009

### Cans Unlimited, Inc.

P. O. Box 645  
Taylor, SC 29687  
All States  
803-879-3009  
1-800-845-5301

### Dealers LP Equip. Co.

P.O. Box 341145  
Bartlett, TN 38184  
Al, TN  
901-386-8780  
800-428-8902

### Capitol Hydronic Supply

104 West Jefferson Street  
Falls Church, VA 22046  
703-416-8555

### Tuco Industrial Products

P.O. Box 5076  
Lynwood, WA 98046  
206-743-9533  
1-800-735-1268

### Auer Steel & Heating Supply

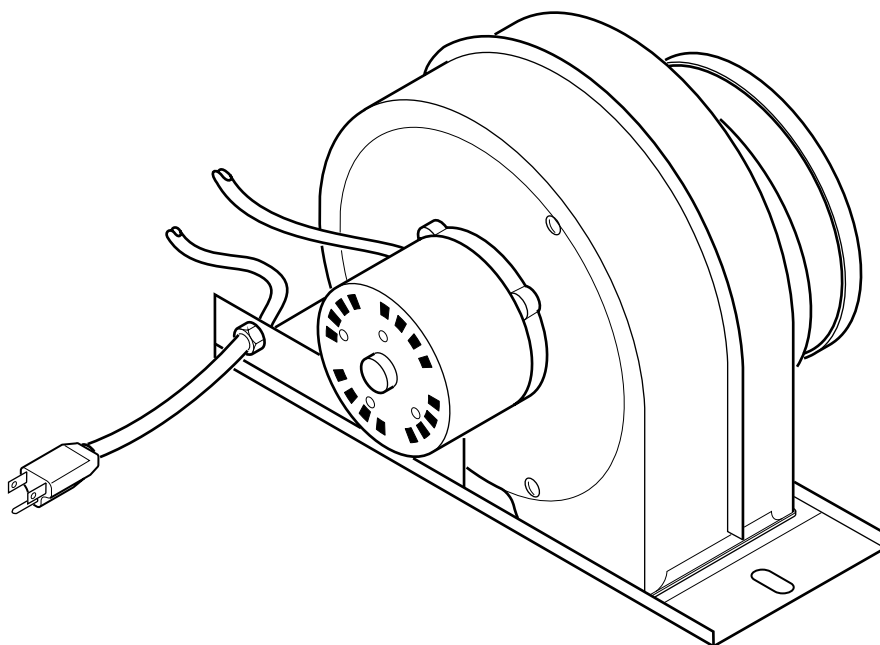
2935 W. Silver Spring Dr.  
Milwaukee, WI 53209  
414-463-1234

## ACCESSORIES

Purchase these heater accessories from your local dealer. If they can not supply these accessories, either contact your nearest Parts Central (see page 34) or call DESA International's Parts Department at 1-800-972-7879. You can also write to the address listed on the back page of this manual.

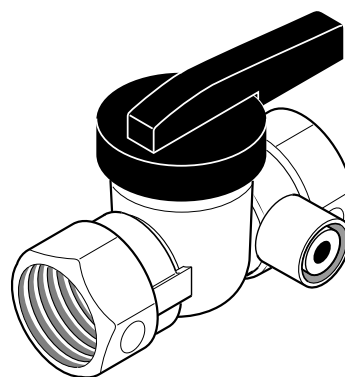
### **BLOWER KIT - PART NUMBER GA6010**

For all models. Provides better heat distribution. Makes heater more efficient. Complete installation and operating instructions provided with blower.

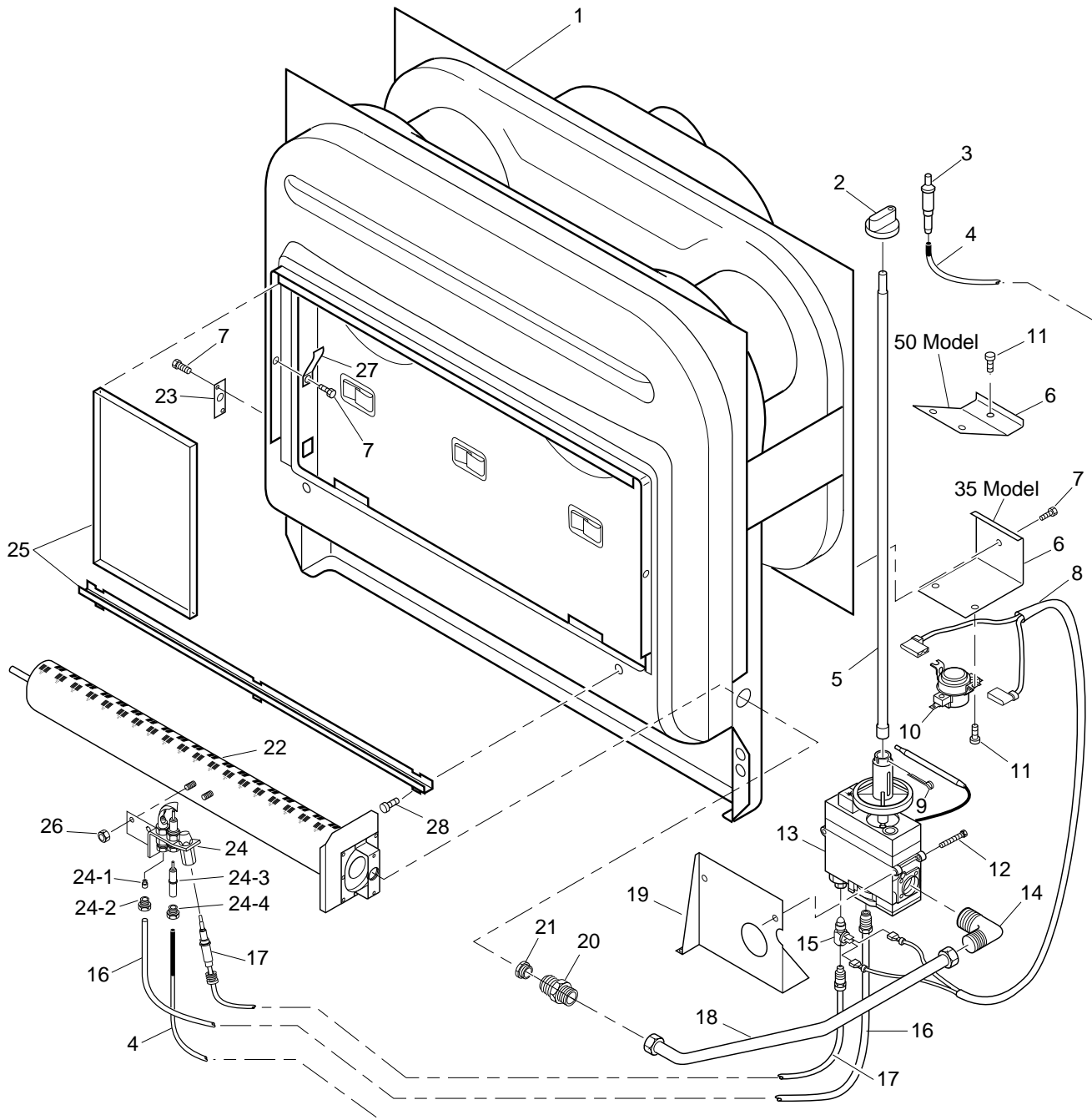


### **MANUAL SHUTOFF VALVE - GA5010**

For all models. Manual shutoff valve with 1/8" NPT tap.



# ILLUSTRATED PARTS LIST Burner Assembly



# PARTS LIST

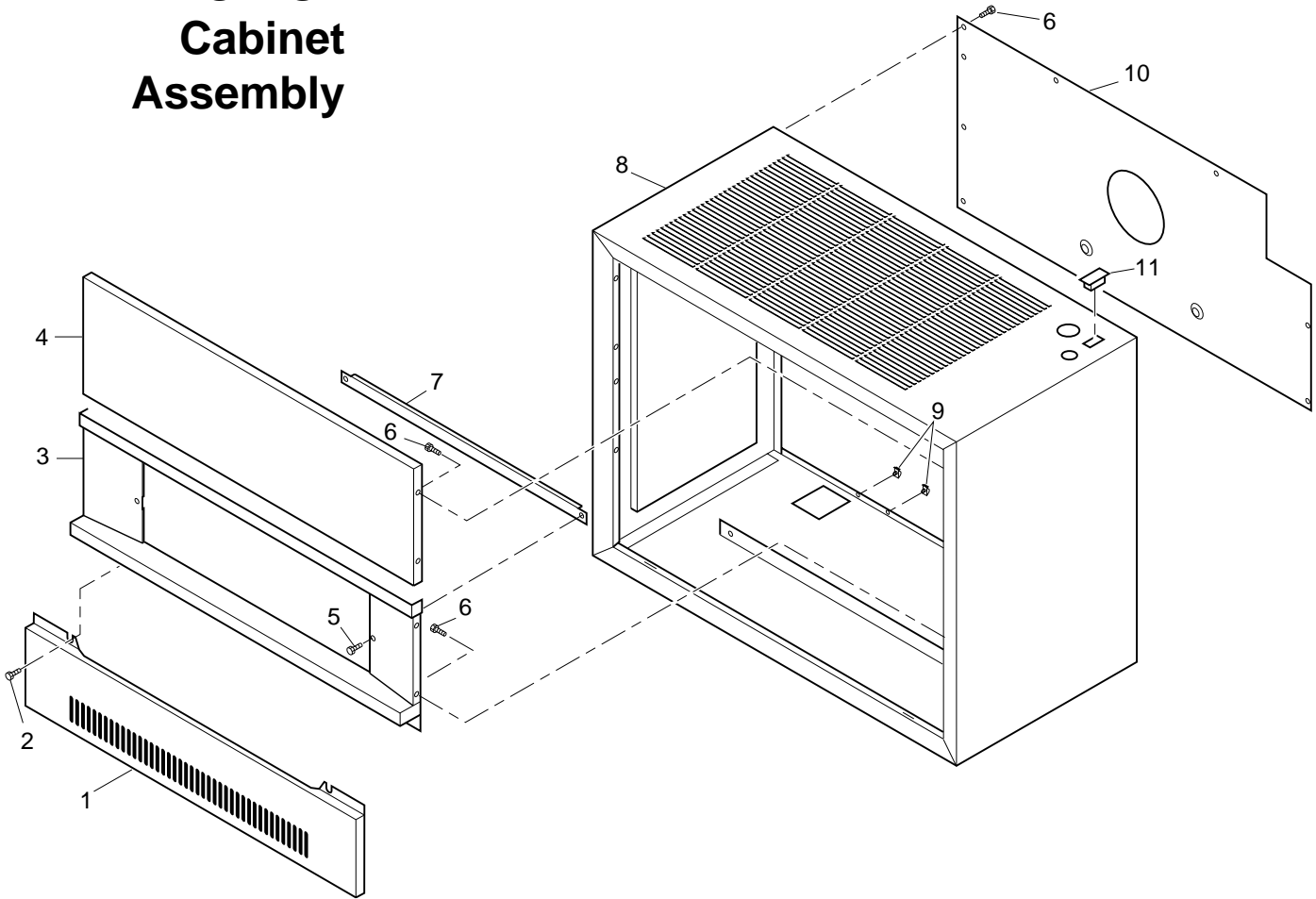
## Burner Assembly

This list contains replaceable parts used in your heater. When ordering parts, follow the instructions listed under *Ordering Replacement Parts* on page 34 of this manual.

KEY NO.	PART NUMBER FOR		DESCRIPTION	QTY.
	CGB50P	CGB35P		
1	100206-02	100206-01	Combustion Chamber	1
2	098324-02	098324-02	Control Knob	1
3	097159-02	097159-02	Piezo Ignitor	1
4	098271-05	098271-05	Ignitor Cable	1
5	099974-02	099974-01	Control Rod	1
6	099704-05	063015	Limit Switch Bracket Kit	1
7	—	M11084-26	Screw, #10-16 x 3/8"	3
	M11084-26	—	Screw, #10-16 x 3/8"	2
8	099986-01	099986-01	Thermocouple Wire Assembly	1
9	100000-01	100000-01	Cotter Pin	1
10	231939	231940	Limit Switch	1
11	M11084-38	—	Screw, #8-18 x 3/8"	3
	—	M11084-38	Screw, #8-18 x 3/8"	2
12	099211-01	099211-01	Screw, #10-16 x 2 1/2"	2
13	100207-02	100207-02	Control Valve	1
14	098265-01	098265-01	Elbow	1
15	098936-02	098936-02	Thermocouple Interrupter	1
16	100028-02	100028-02	Pilot Tubing	1
17	100307-01	100307-01	Thermocouple	1
18	099976-02	099976-02	Burner Tube	1
19	530988	530988	Control Bracket	1
20	100309-01	100309-01	Orifice Holder	1
21	530124	100469-01	Orifice	1
22	100385-01	100384-01	Burner Assembly	1
23	100090-01	100090-01	Burner Bracket	1
24	100308-02	100308-02	Pilot Assembly	1
24-1	100467-01	100467-01	Pilot Sleeve	1
24-2	100466-01	100466-01	Pilot Nut	1
24-3	100468-01	100468-01	Pilot Electrode	1
24-4	100465-01	100465-01	Nut Electrode	1
25	101342-05	101342-04	Glass Panel Package (includes bottom glass retainer)	1
26	098249-01	098249-01	Nut, M5 x 0.8	2
27	530192	530192	Glass Spring	2
28	098304-01	098304-01	Screw, #10-24 x 3/8"	3

# ILLUSTRATED PARTS LIST Cabinet Assembly

This list contains replaceable parts used in your heater. When ordering parts, follow the instructions listed under *Ordering Replacement Parts* on page 34 of this manual.



KEY NO.	PART NUMBER FOR		DESCRIPTION	QTY.
	CGB50P	CGB35P		
1	100202-02	100202-01	Lower Front Panel	1
2	098304-01	098304-01	Screw, #10-16 x 3/8"	2
3	100053-02BR	100053-01BR	Hearth Assembly (includes items 5 & 7)	1
4	100204-02	100204-01	Top Panel	1
5	098304-02	098304-02	Screw, #6-20 x 3/8"	2
6	M11084-26	—	Screw, #10-16 x 3/8"	17
	—	M11084-26	Screw, #10-16 x 3/8"	19
7	100205-02BR	100205-01BR	Glass Guard	1
8	100203-02	100203-01	Cabinet Assembly	1
9	099123-01	099123-01	Thermobulb Clip	2
10	100101-02BS	100101-01BS	Cabinet Back	1
11	099997-01	099997-01	Switch Plug	1
<b>PARTS AVAILABLE - NOT SHOWN</b>				
	099988-02	099988-02	Lighting Instructions Decal	1
	099987-02	099987-02	Control Position Decal	1
	100154-02	100154-02	Warning Decal	1



# WARRANTY INFORMATION

Always specify model and serial numbers when communicating with the factory.

We reserve the right to amend these specifications at any time without notice. The only warranty applicable is our standard written warranty. We make no other warranty, expressed or implied.

## LIMITED WARRANTY COMFORT GLOW VENTED PROPANE GAS HEATERS

### LIMITED ONE YEAR WARRANTY

This DESA product is warranted to the original purchaser to be free from defect in material and workmanship under normal use and maintenance for a period of one year from the date of installation whether or not actual use begins on that date. It is the responsibility of the consumer/owner to establish the warranty period. You are required to furnish proof of installation date, which may be a Bill of Sales or other payment record which verifies the original installation. A new or remanufactured part to replace any defective part will be provided, at DESA's sole option, without charge for the part itself, FOB the shipping point. The exchanged part will be warranted for only the unexpired portion of the original warranty. Defective parts must be returned to DESA, transportation charges prepaid, (DESA is not responsible for any freight charges), where DESA will establish to its sole satisfaction that the part was or became defective under normal use and maintenance. No reimbursement will be made for transportation, diagnostics, shipping, handling, or other incidental expenses. This warranty applies only to the product in its original installation location and is voided if the product is reinstalled elsewhere.

### LIMITED FOUR YEAR WARRANTY ON COMBUSTION CHAMBER

During the second through fifth years after the date of original installation, DESA further warrants the combustion chamber against defects in material and workmanship under normal use and maintenance. A replacement combustion chamber will be provided under the same conditions as stated in the one year warranty.

### LIMITATION OF WARRANTIES

All implied warranties (including implied warranties of merchantability) are hereby limited in duration to the period for which each limited warranty is given. Some states do not allow limitations on how long an implied warranty lasts so the above limitations may not apply to you. The expressed warranties made in this warranty are exclusive and may not be altered, enlarged, or changed by any distributor, dealer, or other person whomsoever.

### DESA WILL NOT BE RESPONSIBLE FOR:

1. Normal maintenance as outlined in the owner's operation and installation manual including cleaning of component parts; such as, orifices and burners.
2. Failure to start and/or operate due to voltage or gas condition, blown fuses, open circuit breakers, loose or disconnected wires, low gas pressure, or other damages due to inadequacy or interruption of electrical service or gas supply.
3. Damage or repairs required as a consequence of faulty or incorrect installation not in conformance with DESA instructions.
4. Damage as a result of floods, winds, lightning, accidents, corrosive atmosphere, or other conditions beyond the control of DESA.
5. Parts or accessories not supplied by DESA.
6. Costs incurred in gaining access to the heater.
7. Damage or repairs needed as a consequence of any misapplication, abuse, unreasonable use, unauthorized alteration, improper servicing, improper operation, or failure to provide reasonable and necessary maintenance.
8. Freight charges incurred from parts replacement.
9. DESA product installed outside the Continental U.S.A. and Alaska.
10. DESA products whose serial number has been altered, defaced, or removed.
11. Fuel or electricity costs or increases in such costs from any reason whatsoever.
12. Any special, indirect or consequential property, economic, or commercial damage of any nature whatsoever. Some states do not allow the exclusion of incidental or consequential damages, so the above limitation may not apply to you.

No representative, dealer, or other person is authorized to assume for DESA International any additional, different, or other liability in connection with the sale of this DESA product.

This warranty gives you specific legal rights, and you may also have other rights which vary from state to state.

For more information about this warranty, write:

**DESA**  
**INTERNATIONAL**  
2701 Industrial Drive  
P.O. Box 90004  
Bowling Green, KY 42102-9004

100352-01  
REV. C  
6/94



## Free Manuals Download Website

<http://myh66.com>

<http://usermanuals.us>

<http://www.somanuals.com>

<http://www.4manuals.cc>

<http://www.manual-lib.com>

<http://www.404manual.com>

<http://www.luxmanual.com>

<http://aubethermostatmanual.com>

Golf course search by state

<http://golfingnear.com>

Email search by domain

<http://emailbydomain.com>

Auto manuals search

<http://auto.somanuals.com>

TV manuals search

<http://tv.somanuals.com>