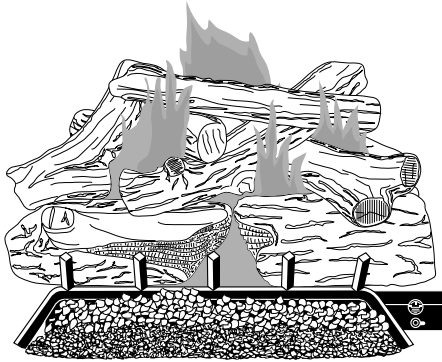


Convertible from Natural
Gas to Propane/LP Gas



ANSI Z21.60a-2000
CSA 2.26a-2000

APPROVED



VANGUARD MODELS:

VVSA18R, VVSA24R, VVDA18R, VVDA24R and VVDA30R

FOR USE WITH LOG SETS:

Hanover Round Oak Log Models VSLR18 and VSLR24

Kingston Split Oak Log Models VDLCR18, VDLCR24 (Shown) and VDLCR30

FMI MODELS:

FVSA18R, FVSA24R, FVDA18R, FVDA24R and FVDA30R

FOR USE WITH LOG SETS:

Arlington Round Oak Log Models FSLR18 and FSLR24

Manchester Split Oak Log Models FDLCR18, FDLCR24 and FDLCR30

COMFORT GLOW MODELS:

Berkshire Oak Log Models CVDA18R, CVDA24R and CVDA30R

Amherst Oak Log Models CPVSA18R and CPVSA24R

WARNING: If the information in this manual is not followed exactly, a fire or explosion may result causing property damage, personal injury, or loss of life.

- Do not store or use gasoline or other flammable vapors and liquids in the vicinity of this or any other appliance.
- **WHAT TO DO IF YOU SMELL GAS**
 - Do not try to light any appliance.
 - Do not touch any electrical switch; do not use any phone in your building.
 - Immediately call your gas supplier from a neighbor's phone. Follow the gas supplier's instructions.
 - If you cannot reach your gas supplier, call the fire department.
- Installation and service must be performed by a qualified installer, service agency, or the gas supplier.

WARNING: Improper installation, adjustment, alteration, service, or maintenance can cause injury or property damage. Refer to this manual for correct installation and operational procedures. For assistance or additional information consult a qualified installer, service agency, or the gas supplier.

WARNING: This appliance is for installation only in a solid-fuel burning masonry or UL127 factory-built fireplace, constructed of non-combustible material, and connected to a working flue. (See page 4 for minimum flue opening.)

WARNING: This is a gas-fired appliance. It uses air (oxygen) from the room in which it is installed. Provisions for adequate combustion and ventilation air must be provided. Refer to the *National Fuel Gas Codes, ANSI Z233.1/NFPA 54, Section 5.3, Air for Combustion and Ventilation.*

Save this manual for future reference.

TABLE OF CONTENTS

SAFETY INFORMATION	2	CLEANING AND MAINTENANCE	12
LOCAL CODES	3	REPLACEMENT PARTS	12
PRODUCT IDENTIFICATION	3	TROUBLESHOOTING	13
UNPACKING	3	ILLUSTRATED PARTS BREAKDOWN AND PARTS LIST	16
PRODUCT FEATURE	3	ACCESSORIES	28
INSTALLATION	4	OWNER'S REGISTRATION FORM	29
OPERATING APPLIANCE	10	WARRANTY INFORMATION	Back Cover
INSPECTING BURNERS	12		

SAFETY INFORMATION

WARNINGS

WARNING: This product contains chemicals known to the State of California to cause cancer or birth defects, or other reproductive harm.

WARNING: Keep flue open when operating unit.

IMPORTANT: Read this owner's manual carefully and completely before trying to assemble, operate, or service this log set. Improper use of this log set can cause serious injury or death from burns, fire, explosion, electrical shock, and carbon monoxide poisoning.

DANGER: Carbon monoxide poisoning may lead to death!

Carbon Monoxide Poisoning: Early signs of carbon monoxide poisoning resemble the flu, with headaches, dizziness, or nausea. If you have these signs, the log set may not be working properly. **Get fresh air at once!** Have log set serviced. Some people are more affected by carbon monoxide than others. These include pregnant women, people with heart or lung disease or anemia, those under the influence of alcohol, and those at high altitudes.

Natural and Propane/LP Gas: Natural and propane/LP gases are odorless. An odor-making agent is added to the gas. The odor helps you detect a gas leak. However, the odor added to the gas can fade. Gas may be present even though no odor exists.

Make certain you read and understand all warnings. Keep this manual for reference. It is your guide to safe and proper operation of this log set.

WARNING: Any change to this log set or its controls can be dangerous.

1. This appliance, as supplied, is only for use with the type of gas indicated on the rating plate. This appliance is convertible for use with propane/LP.
2. If you smell gas
 - shut off gas supply
 - do not try to light any appliance
 - do not touch any electrical switch; do not use any phone in your building
 - immediately call your gas supplier from a neighbor's phone. Follow the gas supplier's instructions
 - if you cannot reach your gas supplier, call the fire department
3. Never install the log set
 - in a recreational vehicle
 - where curtains, furniture, clothing, or other flammable objects are less than 42 inches from the front, top, or sides of the log set
 - in high traffic areas
 - in windy or drafty areas
4. Before installing in a solid fuel burning fireplace, the chimney flue and firebox must be cleaned of soot, creosote, ashes and loose paint by a qualified chimney cleaner. Creosote will ignite if highly heated. Inspect chimney flue for damage.
5. You must operate this log set with fireplace doors or screens in place and fully closed. Unless provided by other means, fireplace doors or screens shall have openings for introduction of combustion air.
6. This log set is designed to be smokeless. If logs ever appear to smoke, turn off appliance and call a qualified service person. **Note:** During initial operation, slight smoking could occur due to log curing and the burning of manufacturing residues. You may wish to add more ventilation by opening a window.
7. To reduce the creation of soot, follow the instructions in *Cleaning and Maintenance*, page 12.
8. Do not allow fans to blow directly into the fireplace. Avoid any drafts that alter burner flame patterns. Ceiling fans can create drafts that alter burner flame patterns. Altered burner patterns can increase sooting.

SAFETY INFORMATION

Continued

9. Do not use a blower insert, heat exchanger insert or other accessory not approved for use with this log set.
10. The installation and provisions for combustion and ventilation air must conform with the *National Fuel Gas Codes, ANSI Z223.1/NFPA 54, Section 5.3, Air for Combustion and Ventilation*.
11. Do not run log set
 - where combustible materials, gasoline and other flammable vapors and liquids are used or stored
 - under dusty conditions
12. Do not burn solid fuel in the fireplace after installing the log set. Do not use this log set to cook food or burn paper or other objects.
13. Log set becomes very hot when in use. Keep children and adults away from hot surface to avoid burns or clothing ignition. Log set will remain hot for a time after shut-down. Allow surface to cool before touching.
14. Carefully supervise young children when they are in the room with log set.
15. Do not use this appliance if any part has been under water. Immediately call a qualified service technician to inspect the appliance and to replace any part of the control system and any gas control which has been under water.
16. To help prevent breakage, new logs must be broken-in (see *Curing Logs* page 11).
17. Turn log set off and let cool before servicing, installing, or repairing. Only a qualified service person should install, service, or repair log set.
18. Provide adequate clearances around air openings.

LOCAL CODES

Install and use log set with care. Follow all local codes. In the absence of local codes, use the latest edition of *The National Fuel Gas Code ANSI Z223.1/NFPA 54**.

*Available from:

American National Standards Institute, Inc.
 1430 Broadway
 New York, NY 10018

National Fire Protection Association, Inc.
 Batterymarch Park
 Quincy, MA 02269

PRODUCT IDENTIFICATION

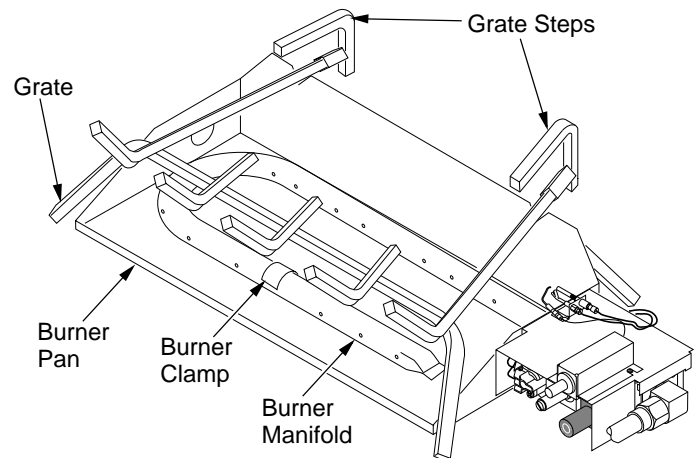


Figure 1 - Product Identification (FVDA24R Shown)

Hearth Kit Model _____

Serial Number _____

Log Set Model _____

UNPACKING

CAUTION: Do not remove the metal data plates from the burner pan. The data plates contain important warranty and safety information.

1. Remove logs, hearth kit, pan materials, and hardware from carton.
2. Remove all protective packaging applied to logs and base for shipment.
3. Check all items for any shipping damage. If damaged, promptly inform dealer where you bought the product.

PRODUCT FEATURE

REMOTE READY SAFETY VALVE/PILOT

This unit is provided with a millivolt remote ready control valve which may be connected to optional remote accessories for wall switch or wireless operation (see *Accessories*, page 28).

Unit is tested and approved to *ANSI Z21.60a-2000* and *CSA 2.26a-2000* as a vented decorative appliance. It is supplied with the parts and instructions to convert to propane/LP gas use.

INSTALLATION

⚠ WARNING: The Massachusetts State Board requires all installations be performed by a Licensed Plumber or Gas Fitter. Massachusetts state code requires all vent dampers be welded open or removed.

⚠ CAUTION: Do not remove the data plates attached to the burner pan. The data plates contain important warranty and safety information.

⚠ WARNING: Before installing in a solid fuel burning fireplace, the chimney flue and firebox must be cleaned of soot, creosote, ashes and loose paint by a qualified chimney cleaner. Creosote will ignite if highly heated. A dirty chimney flue may create and distribute soot within the house. Inspect chimney flue for damage.

NOTICE: Installation, service, and repair of this appliance must be performed by a qualified installer, service agency, company or gas supplier experienced with this type of gas appliance. Only factory authorized components listed in these instructions may be used in accordance with the manufacturer's instructions and all codes and requirements of the authority having jurisdiction. Any modifications to this kit, or use of unauthorized components or accessory items will void the manufacturer's warranty, and may result in a hazardous condition.

FLUE OPENING SPECIFICATIONS

Note: This vented appliance must be installed only in a solid-fuel burning fireplace with a working flue and constructed of noncombustible material.

The charts in Figure 2 indicate technical information regarding the installation of your gas log set. Please make sure that all of the specifications shown are applicable before installation is attempted.

The fireplace must include a working flue and venting system with the minimum openings shown in the Figure 2.

CHECK GAS TYPE

Use only natural gas. If your gas supply is not natural gas, you must convert the appliance to propane/LP. Follow the instructions on page 7.

If the fireplace does not have a gas supply shutoff valve, one must be installed.

VENTING SPECIFICATIONS FOR INSTALLATION

The fireplace chimney flue and vent must be drafting properly. To check the vent for proper drafting: Light a tightly rolled newspaper on one end and place it at the inside front edge of the fireplace. Observe the smoke and be sure the vent is properly drawing it up the chimney. If the smoke spills out into the room, extinguish the flame and remove any obstruction until proper venting is achieved.

The chimney flue damper must be fixed open to provide a minimum of 81 sq. in. of free air opening during operation of this log set. A multipurpose damper clamp is provided to fix the damper in position.

The minimum flue sizes shown in Figure 2 are based on a 6' chimney height using round pipe. Your minimum flue size will vary based on input rate and chimney height. Refer to the *National Fuel Gas Code ANSI Z223.1/NFPA 54, Section 6.6*, for details.

BURNER ORIFICE						
LOG SIZE	NATURAL			PROPANE/LP		
	IN.	NUM.	COLOR	IN.	NUM.	COLOR
18" SA/DA	.129	30	Green	.073	49	Red
24" SA	.141	28	Yellow	.086	44	Orange
24" DA	.136	29	White/Yellow	.086	44	Orange
30" SA/DA	.157	22	Yellow/Blue	.089	43	Black

MINIMUM FIREBOX SIZES					
LOG SIZE	FRONT WIDTH	BACK WIDTH*	DEPTH	HEIGHT	MINIMUM FLUE SIZE
18"	34"	16"	14"	18"	8" dia.
24"	35 3/4"	17"	15 1/2"	18"	8" dia.
30"	42"	27"	18"	18"	9" dia.

*At depth indicated

Figure 2 - Technical Information Charts

FUEL PRESSURE SPECIFICATIONS (W.C.)		
	Inlet	Manifold*
NG	5.5"-10.5"	3.5"
LP	11"-13"	10"

* ± .2"

DESCRIPTION	Btu Input Natural Gas	Btu Input Propane/LP Gas
18" Single Burner	50,000	40,000
24" Single Burner	60,000	50,000
18" Dual Burner	55,000	45,000
24" Dual Burner	65,000	55,000
30" Dual Burner	70,000	60,000

INSTALLATION

Continued

INSTALLING DAMPER CLAMP

Secure the damper stop clamp provided to the leading edge of the damper as shown in Figure 3. If for any reason this clamp doesn't work on your fireplace, another suitable clamp or permanent stop must be installed, or the damper blade must be cut or removed.

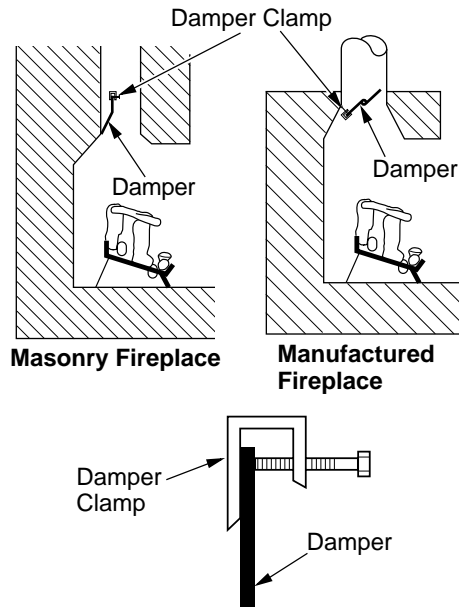


Figure 3 - Attaching Damper Clamp

CONNECTING TO GAS SUPPLY

WARNING: A qualified service person must connect log set to gas supply. Follow all local codes.

Installation Items Needed

Before installing log set, make sure you have the items listed below.

- piping (check local codes)
- sealant (resistant to propane/LP gas)
- equipment shutoff valve
- adjustable (crescent) wrench or pliers
- sediment trap
- tee joint
- pipe wrench

CAUTION: Use only new, black iron or steel pipe. Internally-tinned copper tubing may be used in certain areas. Check your local codes. Use pipe of 1/2" diameter or greater to allow proper gas volume to log set. If pipe is too small, undue loss of volume will occur.

Installation must include an equipment shutoff valve with "T" style handle, gas union and, for propane/LP gas only, a plugged 1/8" NPT tap. Locate NPT tap within reach for test gauge hook up. NPT tap must be upstream from log set (see Figure 4).

IMPORTANT: Install equipment shutoff valve in an accessible location. The equipment shutoff valve is for turning on or shutting off the gas to the appliance.

Apply pipe joint sealant lightly to male NPT threads. This will prevent excess sealant from going into pipe. Excess sealant in pipe could result in a clogged burner injector.

WARNING: Use pipe joint sealant that is resistant to liquid petroleum (LP) gas.

We recommend that you install a sediment trap in the supply line as shown in Figure 4. Locate sediment trap where it is within reach for cleaning. Install in piping system between fuel supply and heater. Locate sediment trap where trapped matter is not likely to freeze. A sediment trap traps moisture and contaminants. This keeps them from going into log set controls. If sediment trap is not installed or is installed wrong, log set may not run properly.

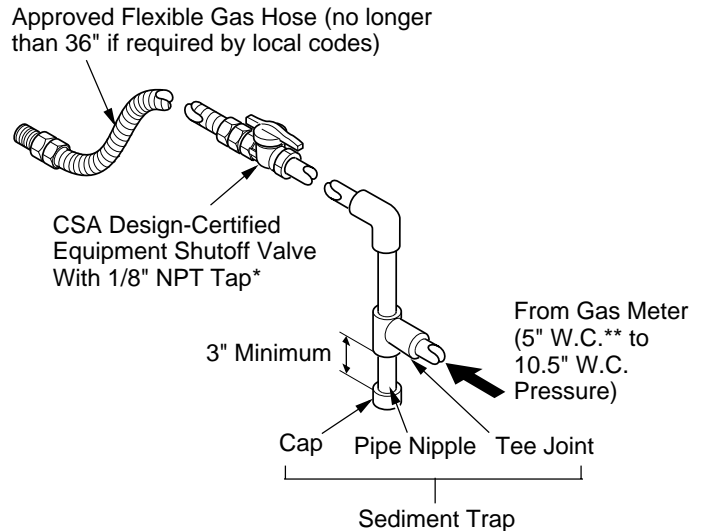


Figure 4 - Gas Connection

* Purchase the optional CSA design-certified equipment shutoff valve from your dealer. See *Accessories*, page 28.

** Minimum inlet pressure for purpose of input adjustment.

INSTALLATION

Continued

CHECKING GAS CONNECTIONS

⚠ WARNING: Test all gas piping and connections for leaks after installing or servicing. Correct all leaks at once.

⚠ WARNING: Never use an open flame to check for a leak. Apply a noncorrosive leak detection fluid to all joints. Bubbles forming show a leak. Correct all leaks at once.

Pressure Testing Gas Supply Piping System

Test Pressures In Excess Of 1/2 PSIG (3.5 kPa)

1. Disconnect log set and its individual equipment shutoff valve from gas supply piping system.
2. Cap off open end of gas pipe where equipment shutoff valve was connected.
3. Pressurize supply piping system by either using compressed air or opening main gas valve located on or near gas meter.
4. Check all joints of gas supply piping system. Apply a noncorrosive leak detection fluid to all joints. Bubbles forming show a leak.
5. Correct all leaks at once.
6. Reconnect log set and equipment shutoff valve to gas supply. Check reconnected fittings for leaks.

Test Pressures Equal To or Less Than 1/2 PSIG (3.5 kPa)

1. Close equipment shutoff valve (see Figure 5).
2. Pressurize supply piping system by either using compressed air or opening main gas valve located on or near gas meter.
3. Check all joints from gas meter to equipment shutoff valve (see Figure 5). Apply a noncorrosive leak detection fluid to all joints. Bubbles forming show a leak.
4. Correct all leaks at once.

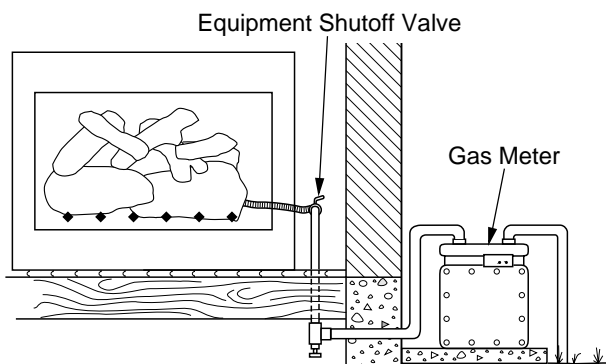


Figure 5 - Checking Gas Joints

HEARTH PAN INSTALLATION

If using propane/LP gas, see *Propane/LP Gas Conversion* on page 7, before installing hearth pan.

1. Place the burner pan assembly in the center of the fireplace floor. Make sure the front of pan faces forward.
2. Thread the gas supply fitting to the fireplace gas supply pipe. Adjust to most convenient position.
3. Install the gas connector tube to the gas supply adapter. Carefully shape tube and attach to gas inlet fitting (see Figure 6). Be careful not to cause kinks in tube.
4. Test for leaks following instructions under *Testing Burner for Leaks*, page 8.
5. Retighten and adjust the location of the gas control as necessary. The gas control should be level, with the control rod to the front.

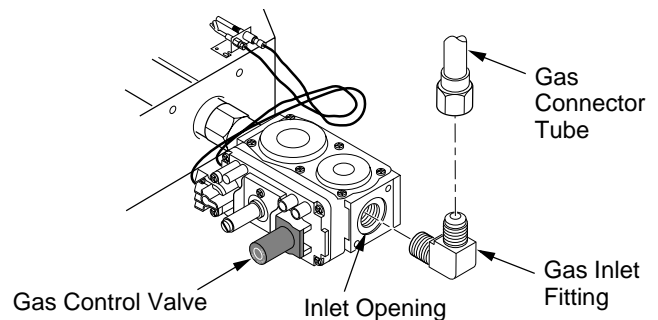


Figure 6 - Installing Inlet Fitting and Gas Connector Tube (Valve Cover Removed for Clarity)

INSTALLATION

Continued

Propane/LP Gas Conversion

To convert to propane/LP gas, the regulator pressure must be reset. Also, the burner inlet fitting and pilot orifice must be replaced. The propane/LP burner inlet fitting is supplied with the orifice installed for your log set.

Burner Inlet Fitting

1. Remove the pilot assembly from the valve cover by removing the two screws on the bracket (see Figure 7).
2. Unscrew and remove piezo ignitor and ignitor cover from valve cover.
3. Remove the two (2) screws on the burner pan and the remaining screw on the rear of the control valve to remove valve cover.
4. Unthread control valve and burner inlet fitting from burner tube by turning valve counter-clockwise (see Figure 8).
5. Remove natural gas inlet fitting from the control valve and discard (see Figure 8). DO NOT remove the orifice from this fitting. The propane/LP burner inlet fitting is included in the hardware kit (see Figure 11, page 8).

6. Be sure to use the correct orifice for your appliance. The orifice kit included with this appliance contains an orifice installed in an air mixer fitting.
7. Using thread sealant (resistant to the action of propane/LP gas) on smaller end of fitting, screw the burner inlet fitting into the outlet side of the gas control. Tighten using a wrench.
8. Rethread the valve and fitting assembly into the burner tube until fully threaded and level with the burner pan. Reattach the valve cover with the three (3) screws previously removed in step 3.

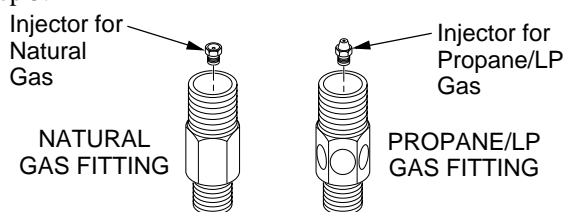


Figure 9 - Burner Inlet Fittings with Injectors

Adjusting Regulator Pressure For Propane/LP Conversion

1. Locate the pressure button on regulator tower of gas control valve.
2. Remove the pressure button from the regulator tower (see Figure 10).
3. Reverse the pressure button and replace into regulator tower (see Figure 11).

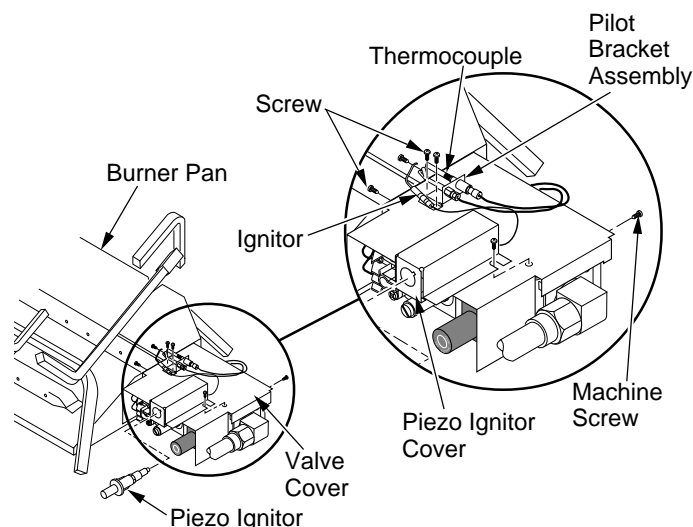


Figure 7 - Removing/Installing Thermocouple, Pilot, and Piezo Ignitor Cover

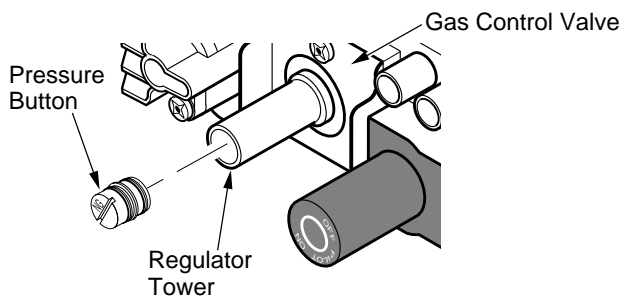


Figure 10 - Removing Pressure Button

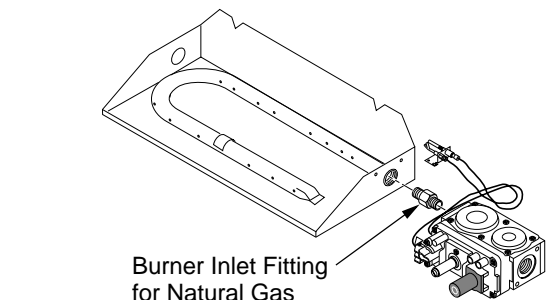


Figure 8 - Remove Burner Inlet Fitting

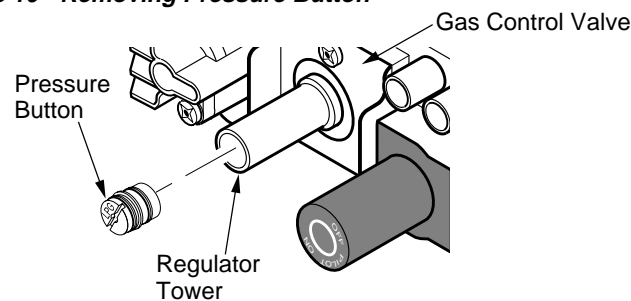


Figure 11 - Replacing the Pressure Button in the Propane/LP position

INSTALLATION

Continued

Changing Pilot Orifice

The pilot is provided with a natural gas orifice installed. For propane/LP gas you must remove it and replace it with a propane/LP orifice. The hardware kit contains an propane/LP orifice with a red stripe for converting the pilot.

1. Gently loosen and remove the pilot line connection from the bracket (see Figure 12).
2. Replace the orifice (see Figure 12) with the propane/LP pilot orifice with the red stripe.
3. Replace and tighten the pilot line to the bracket.
4. Reattach the pilot and piezo ignitor assembly to the valve cover with the screws previously removed (see Figure 7, page 7).

Note: Follow the instructions under the section, *Testing Burner for Leaks*.

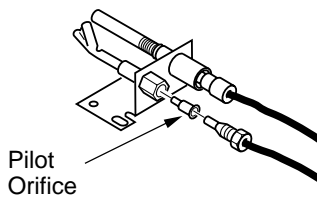


Figure 12 - Installing Propane/LP Pilot Orifice

REMOTE CONTROL OPTIONS

GHRC

If you are using the GHRC remote control option, you must first connect the leads of the receiver to the terminal block on the gas control (see Figure 13).

1. Connect the leads to the male fast-on terminals marked TH and TPTH.
2. Install a 9V battery (refer to the instructions included with the GHRC).
3. Install a 9V battery into the hand-held transmitter.
4. Insert the receiver into the simulated log control cover, with the raised cylinder fitting into the hole in the cover.
5. The cover may be moved aside when operation of the gas control is necessary.

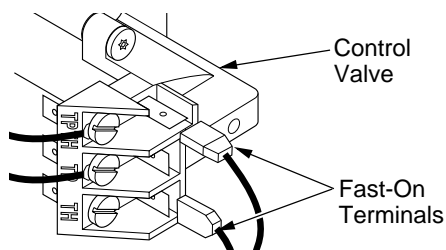


Figure 13 - Connecting Wire Terminals

GWMS2

When installing the GWMS2 remote wall switch option, follow all instructions included with the accessory. Connect wires as shown in Figure 13. You will need to route the wiring away from the gas control and log set in a way which prevents direct radiant heat on the wires.

No Optional Accessories

If you choose no remote accessories at this time, the provided jumper wire must be installed to the terminal block on the gas control. Connect the lead to the fast-on terminals marked TH and TPTH.

TESTING BURNER FOR LEAKS

1. Generously apply soapy solution to all connections.

WARNING: Never check for gas leaks with open flame.

2. Light the burner with the shutoff valve no more than half open and holding a match slightly in front of the pan (see *Lighting Instructions*, page 10).
3. Inspect all connections for bubbles, raw gas odor, or flame from any area other than the burner (leaks). If leaks are detected, shut off the gas valve immediately. Tighten, or reassemble the loose connection(s) using pipe joint compound until burner system is leak free.
4. When the burner is tested and leak free, observe the individual tongues of flame on the burner. **Note:** The burner design includes more ports on the outside of the bar. Make sure that all ports are clear and producing flame evenly across the burner. If any ports appear blocked, clear them by removing the burner manifold and reaming the ports with a modified paper clip or other suitable tool.
5. When finished testing, turn the gas shutoff valve OFF to extinguish all flames.

ADDING PAN MATERIAL

1. Open the bag of ash bed material (vermiculite) and spread it evenly across the burner pan to the top. You may overflow the front and sides of the pan to cover the entire pan. Do not cover valve.
2. Open the glowing embers and evenly cover the ash bed material (vermiculite) in the burner pan.

INSTALLATION

Continued

INSTALLING GRATE AND LOGS

1. Place the grate over the burner pan where the two outer horizontal supports on the grate fit into the two pan positioning notches in the rear vertical edge of the pan.
2. Slide the two rear log grate steps over the two outer horizontal supports on the grate as shown in Figure 14.
3. Place the back log on the grate onto the grate steps (see Figure 15).
4. Place the front log(s) on the grate and slide forward against the front bars on the grate (see Figure 15).
5. Place the smaller top logs onto the bottom logs (see Figure 16). Leave as much open space between logs as possible to minimize flame impingement and sooting. *Note:* Logs may chip if they are handled roughly or if hit together while being placed.

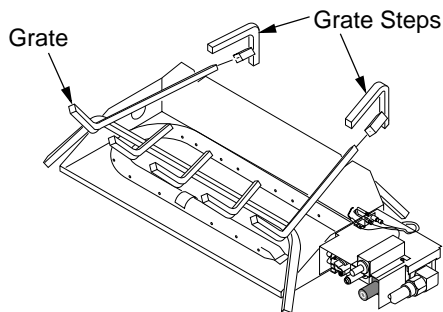
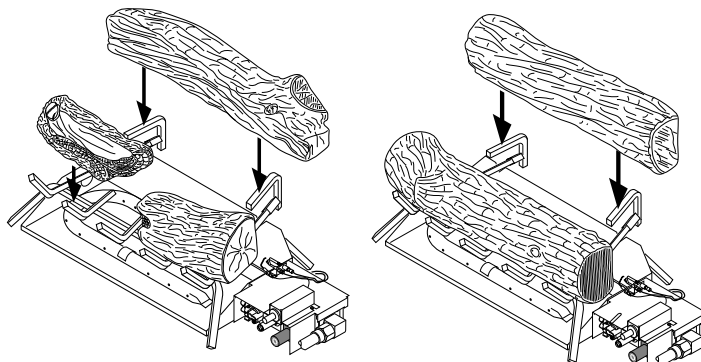


Figure 14 - Installing Grate (Pan Material Not Shown)



Manchester Split Oak Logs Arlington Round Oak Logs

Figure 15 - Installing Front and Back Logs (Number and style of your logs may vary)

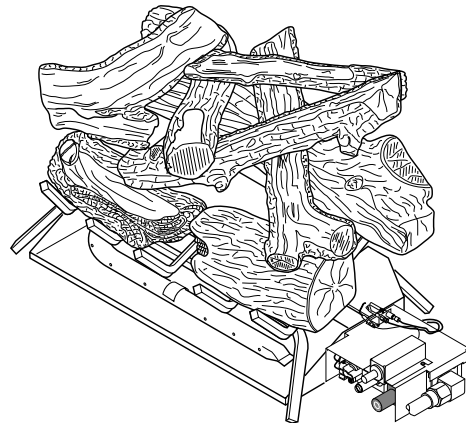


Figure 16 - Placement of Top Logs (Manchester Split Oak Logs Shown)

OPERATING APPLIANCE

FOR YOUR SAFETY READ BEFORE LIGHTING

⚠ WARNING: Keep flue open when operating unit.


⚠ WARNING: If you do not follow these instructions exactly, a fire or explosion may result causing property damage, personal injury or loss of life.


- A. This appliance has a pilot which must be lighted by hand. When lighting the pilot, follow these instructions exactly.
- B. **BEFORE LIGHTING** smell all around the appliance area for gas. Be sure to smell next to the floor because some gas is heavier than air and will settle on the floor.
WHAT TO DO IF YOU SMELL GAS
 - Do not try to light any appliance.
 - Do not touch any electric switch; do not use any phone in your building.
 - Immediately call your gas supplier from a neighbor's phone. Follow the gas supplier's instructions.
 - If you cannot reach your gas supplier, call the fire department.
- C. Use only your hand to push in or turn the gas control knob. Never use tools. If the knob will not push in or turn by hand, don't try to repair it, call a qualified service technician or gas supplier. Force or attempted repair may result in a fire or explosion.
- D. Do not use this appliance if any part has been under water. Immediately call a qualified service technician to inspect the appliance and to replace any part of the control system and any gas control which has been under water.

LIGHTING INSTRUCTIONS

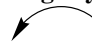
1. **STOP!** Read the safety information, above.
2. Make sure equipment shutoff valve is fully open.
3. **If Using Optional Hand-Held Remote or Wall Switch:** Set switch to OFF position.

⚠ WARNING: Burner will come on automatically within one minute when the selector switch is in the ON position after the pilot is lit.

4. Press in and turn control knob clockwise  to the OFF position.
5. Wait five (5) minutes to clear out any gas. Then smell for gas, including near the floor. If you smell gas, **STOP!** Follow "B" in the safety information, above. If you don't smell gas, go to the next step.

6. Press in and turn control knob counterclockwise  to the PILOT position. Press in control knob for five (5) seconds (see Figure 17).

Note: You may be running this log set for the first time after hooking up to gas supply. If so, the control knob may need to be pressed in for 30 seconds or more. This will allow air to bleed from the gas system.

7. With control knob pressed in, press and release ignitor button. This will light pilot. Visually locate the pilot on the control valve cover by the edge of the burner pan to look for flame. If needed, keep pressing ignitor button until pilot lights.
If the pilot will not stay lit after several tries, turn the gas control knob to "OFF" and call your service technician or gas supplier.
8. Keep control knob pressed in for 30 seconds after lighting pilot. After 30 seconds, release control knob.
 - If control knob does not pop out when released, contact a qualified service person or gas supplier for repairs.
Note: If pilot goes out, repeat steps 4 through 8.
9. Slightly push in and turn control knob counterclockwise  to the ON position.
10. **If Using Optional Hand-Held Remote or Wall Switch:** Wait one minute and switch selector switch to the ON position to light burner.

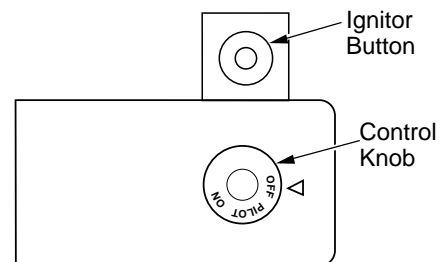


Figure 17 - Control Knob and Ignitor Button Location (Shown as Supplied, No Control Options)

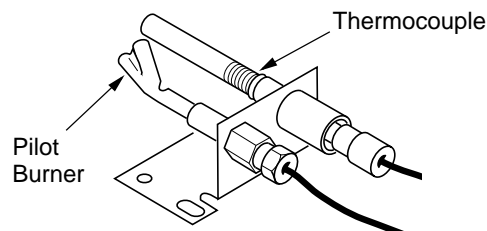


Figure 18 - Thermopile and Pilot

OPERATING APPLIANCE

Continued


TO TURN OFF GAS TO APPLIANCE

Shutting Off Appliance

Slightly push in and turn control knob clockwise  to the OFF position.

Shutting Off Burner Only (pilot stays lit)

You may shut off the burner and keep the pilot lit by doing one of the following:

1. Slightly push in and turn control knob clockwise  to the PILOT position.
2. If Using Optional Hand-Held Remote or Wall Switch:
Set switch to OFF position.

CURING LOGS

During the 2-3 hour appliance break-in period, you may detect an odor from the appliance as the various paints and compounds used in the manufacturing of this log set cure. This is a normal and temporary situation that is not cause for alarm. However, you may want to provide extra ventilation to the room during this time.

To ensure proper curing of the logs:

- Ignite a 2" flame and maintain it for 1 hour.
- Burn the logs in consecutive 1 hour periods raising the flame an additional 2" to full flame height for a total of three hours.

OPTIONAL REMOTE OPERATION

Note: All remote control accessories must be purchased separately. Follow instructions included with the remote control.

NOTICE: You must light the pilot before using the hand-held remote control unit. See *Lighting Instructions*, page 10.

1. After lighting, let pilot flame burn for about one minute. Turn control knob to ON position. Slide the selector switch to the REMOTE position. **Note:** The burner may light if hand-held remote ON button was on when selector switch was last turned off. You can now turn the burner on and off with the hand-held remote control unit.

IMPORTANT: Do not leave the selector switch in the REMOTE position when the pilot is not lit. This will drain the battery.

IMPORTANT: Be sure to press the ON/OFF buttons on the hand-held remote control unit for up to 3 seconds to assure proper operation.

GHRC Operation:

2. Press the ON/OFF button to turn the burner on and off. When turning burner off, the pilot will remain lit.

GWMS2 WALL MOUNTED SWITCH (OPTIONAL)

This wall switch works just like the conventional light switch. Flip the switch up for on and down for off.

Note: Make sure that this switch is not in a position to be mistaken for a light switch. This may result in the log set being inadvertently turned on without the proper precautions being taken. See installation instructions on page 8 of this manual.

INSPECTING BURNERS

Check pilot flame pattern and burner flame patterns often.

PILOT ASSEMBLY

The pilot assembly is factory preset for the proper flame height. Alterations may have occurred during shipping and handling. The pilot is located on the back right hand side of the burner.

The thermocouple should be fully enveloped in the flame. The flame should not be lifting off of the thermocouple element.

If your pilot assembly does not meet these requirements:

- Turn the adjustment screw marked pilot clockwise to decrease or counterclockwise to increase the flame to proper size (see Figure 20). Do not remove the adjustment screw.
- see *Troubleshooting*, pages 13 through 15

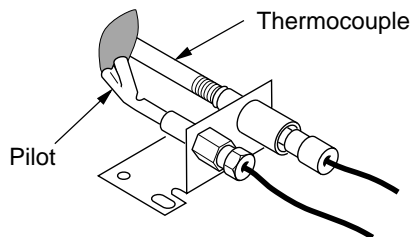


Figure 19 - Correct Pilot Flame Pattern

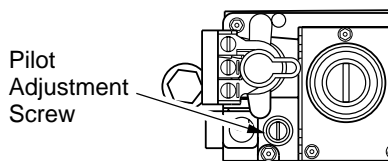


Figure 20 - Locating Pilot Adjustment Screw

BURNER FLAME PATTERN

Burner flames will be steady; not lifting or floating. Flames should go up through the middle of logset. Flames should not "spill" to the edges of the pan or sides of the logset.

Figure 21 shows a typical flame pattern. If burner flame pattern differs from that described:

- turn appliance off (see *To Turn Off Gas to Appliance*, page 11)
- see *Troubleshooting*, pages 13 through 15

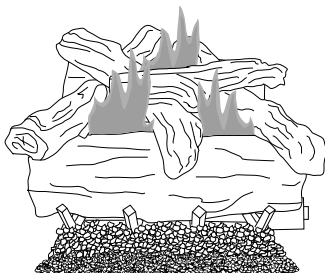


Figure 21 - Typical Flame Pattern

CLEANING AND MAINTENANCE

- Keep the area around the log set clean and clear of debris.
- Occasionally, you may use a soft bristle brush to clean logs.
- Periodically inspect the air mixer and burner tube for foreign matter blocking the air inlet and flame holes.
- Once every year a qualified agency or certified chimney sweep should examine and clean the venting system of the fireplace.

REPLACEMENT PARTS

Note: Use only original replacement parts. This will protect your warranty coverage for parts replaced under warranty.

PARTS UNDER WARRANTY

Contact authorized dealers of this product. If they can't supply original replacement part(s), call DESA International's Technical Service Department at 1-866-672-6040. When calling DESA International, have ready

- your name and address
- model and serial numbers of your log set
- how log set was malfunctioning
- type of gas used (propane or natural gas)
- purchase date

Usually, we will ask you to return the defective part to the factory.

PARTS NOT UNDER WARRANTY

Contact authorized dealers of this product. If they can't supply original replacement part(s), call DESA International at 1-866-672-6040. When calling DESA International, have ready

- model number of your log set
- the replacement part number

TROUBLESHOOTING

⚠ WARNING: Turn off log set and let cool before servicing. Only a qualified service person should service and repair log set.

OBSERVED PROBLEM	POSSIBLE CAUSE	REMEDY
Log set is smoking/sooting excessively (<i>Note:</i> It is natural and unavoidable for vented gas log sets to produce moderate levels of carbon (soot) where flames contact the logs. This is especially true with propane/LP gas.)	<ol style="list-style-type: none"> Poor fuel quality Fireplace venting system not drafting properly Excessive flame impingement or blockage Improper fuel/air mixture Excessive gas supply/pressure 	<ol style="list-style-type: none"> Contact local natural or propane/LP gas company Adjust damper wide open and/or have fireplace and venting professionally cleaned and checked Separate the logs to allow more flame passage Remove any foreign items from the flame pattern and/or check for proper orifice sizing Preheat flue in very cold weather
Burner is excessively noisy (<i>Note:</i> The movement and combustion of gas will create low, unavoidable levels of noise.)	<ol style="list-style-type: none"> Passage of air/gas across irregular surfaces Excessive gas pressure on natural gas units 	<ol style="list-style-type: none"> Relieve any tight bends or kinks in gas supply line Check/reset gas regulator pressure (see <i>Adjusting Regulator Pressure For Propane/LP Conversion</i>, page 7)
Burner flame is too low or too high	<ol style="list-style-type: none"> Incorrect gas supply or pressure Blocked burner orifice or burner manifold ports Improper burner orifice size 	<ol style="list-style-type: none"> Check for proper gas supply pressure Free burner orifice and manifold ports of any burrs, paint, or other blockage Verify proper burner orifice sizing (see Figure 2, page 4)
Remote does not function (GHRC only)	<ol style="list-style-type: none"> Battery is not installed. Battery power is low 	<ol style="list-style-type: none"> Replace 9-volt batteries in receiver and remote control

TROUBLESHOOTING

Continued

OBSERVED PROBLEM	POSSIBLE CAUSE	REMEDY
When ignitor button is pressed, there is no spark at pilot	<ol style="list-style-type: none"> 1. Ignitor electrode not connected to ignitor cable 2. Ignitor cable pinched or wet 3. Bad ground on piezo ignitor 4. Broken ignitor cable 5. Bad piezo ignitor 6. Ignitor electrode broken 7. Ignitor electrode positioned wrong 	<ol style="list-style-type: none"> 1. Reconnect ignitor cable 2. Free ignitor cable if pinched by any metal or tubing. Keep ignitor cable dry 3. Scrape away paint on bracket for better contact with ground on piezo ignitor 4. Replace ignitor cable 5. Replace piezo ignitor 6. Replace electrode 7. Reposition electrode
When ignitor button is pressed, there is spark at pilot but no ignition	<ol style="list-style-type: none"> 1. Gas supply turned off or equipment shutoff valve closed 2. Control knob not in PILOT position 3. Control knob not pressed in while in PILOT position 4. Air in gas lines when installed 5. Pilot adjustment screw closed 6. Pilot is clogged 7. Low gas pressure 	<ol style="list-style-type: none"> 1. Turn on gas supply or open equipment shutoff valve 2. Turn control knob to PILOT position 3. Press in control knob while in PILOT position 4. Continue holding down control knob. Repeat igniting operation until air is removed 5. Adjust pilot flame for approximately 2" blue flame 6. Clean pilot (see <i>Cleaning and Maintenance</i>, page 12) or replace pilot assembly 7. Replace gas control
Pilot lights but flame goes out when control knob is released	<ol style="list-style-type: none"> 1. Control knob not fully pressed in 2. Control knob not pressed in long enough 3. Equipment shutoff valve not fully open 4. Pilot flame not touching thermocouple, which allows thermocouple to cool, causing pilot flame to go out. This problem could be caused by one or both of the following: <ol style="list-style-type: none"> A) Low gas pressure B) Dirty or partially clogged pilot 5. Thermocouple connection loose at control valve 6. Thermocouple damaged 7. Control valve damaged 	<ol style="list-style-type: none"> 1. Press in control knob fully 2. After pilot lights, keep control knob pressed in 30 seconds 3. Fully open equipment shutoff valve 4. A) Contact local natural gas company B) Clean pilot (see <i>Cleaning and Maintenance</i>, page 12) or replace pilot assembly 5. Hand tighten until snug, then tighten 1/4 turn more 6. Replace thermocouple 7. Replace control valve
Burner does not light after pilot is lit	<ol style="list-style-type: none"> 1. Burner orifice clogged 2. Inlet gas pressure is too low 3. Burner orifice diameter is too small 4. Thermocouple leads disconnected or improperly connected 	<ol style="list-style-type: none"> 1. Clean burner orifice 2. Contact local natural or propane/LP gas company 3. Replace burner orifice 4. Reconnect leads
Delayed ignition burner	<ol style="list-style-type: none"> 1. Pilot flame needs adjusting 2. Wrong pilot orifice 	<ol style="list-style-type: none"> 1. Adjust pilot flame for approximately 2" blue flame 2. Replace pilot orifice set

TROUBLESHOOTING

Continued

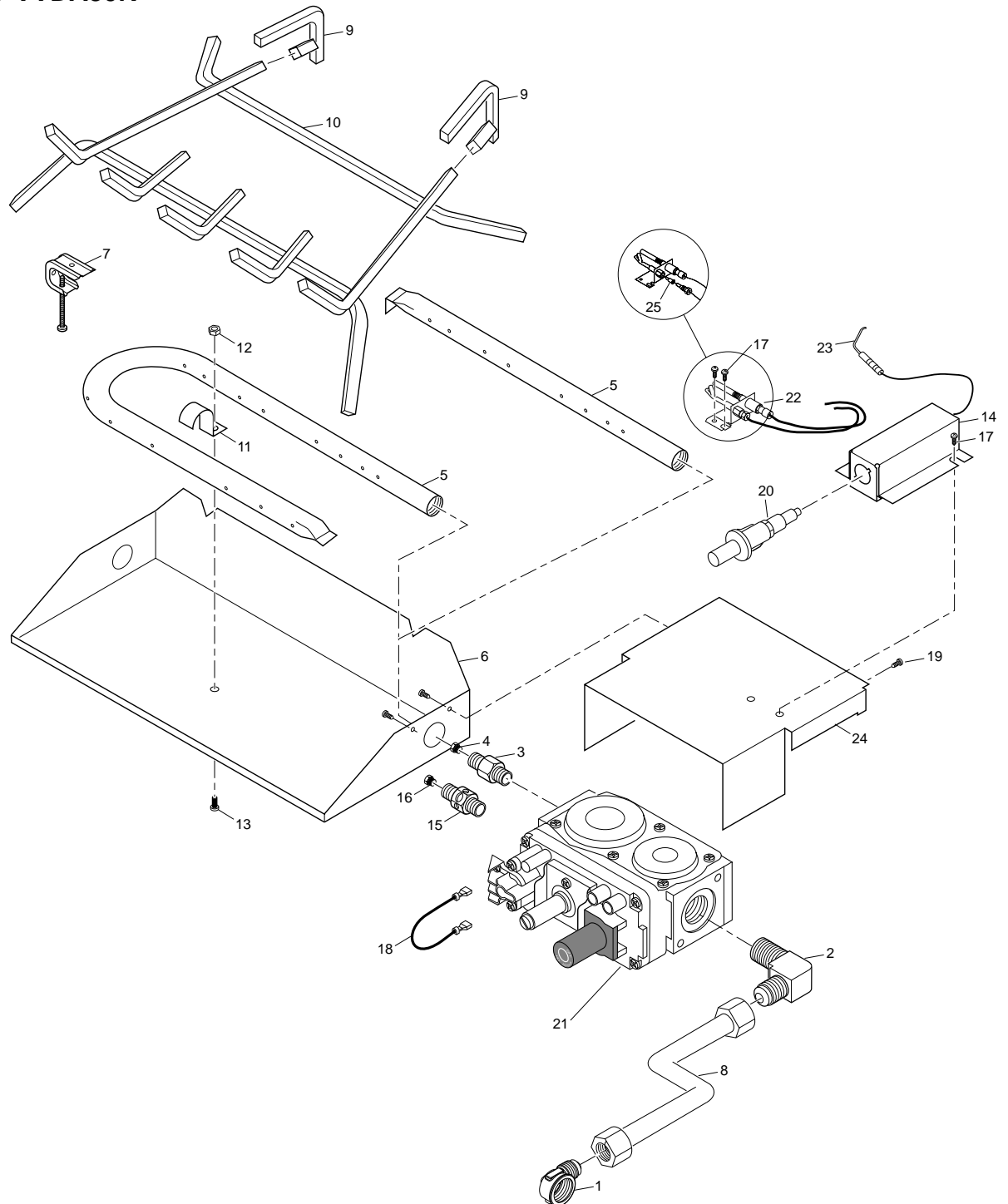
- ⚠ WARNING: If you smell gas**
- **Shut off gas supply.**
 - **Do not try to light any appliance.**
 - **Do not touch any electrical switch; do not use any phone in your building.**
 - **Immediately call your gas supplier from a neighbor's phone. Follow the gas supplier's instructions.**
 - **If you cannot reach your gas supplier, call the fire department.**

IMPORTANT: Operating log set where impurities in air exist may create odors. Cleaning supplies, paint, paint remover, cigarette smoke, cements and glues, new carpet or textiles, etc., create fumes. These fumes may mix with combustion air and create odors. These odors will disappear over time.

OBSERVED PROBLEM	POSSIBLE CAUSE	REMEDY
Log Set produces a clicking/ticking noise just after burner is lit or shut off	1. Metal expanding while heating or contracting while cooling	1. This is common with most log sets. If noise is excessive, contact qualified service person
Log Set produces unwanted odors	1. Log Set burning vapors from paint, hair spray, glues, cleaners, chemicals, new carpet, etc. (See <i>IMPORTANT</i> statement above) 2. Gas leak. See Warning statement at top of page	1. Open flue to maximum. Stop using odor causing products while log set is running 2. Locate and correct all leaks (see <i>Checking Gas Connections</i> , page 6)
Gas odor even when control knob is in OFF position	1. Gas leak. See Warning statement at top of page 2. Control valve defective	1. Locate and correct all leaks (see <i>Checking Gas Connections</i> , page 6) 2. Replace control valve
Gas odor during combustion	1. Gas leak. See Warning statement at top of page	1. Locate and correct all leaks (see <i>Checking Gas Connections</i> , page 6)

ILLUSTRATED PARTS BREAKDOWN

MODELS VVSA18R, VVSA24R, VVDA18R, VVDA24R, AND VVDA30R



PARTS LIST

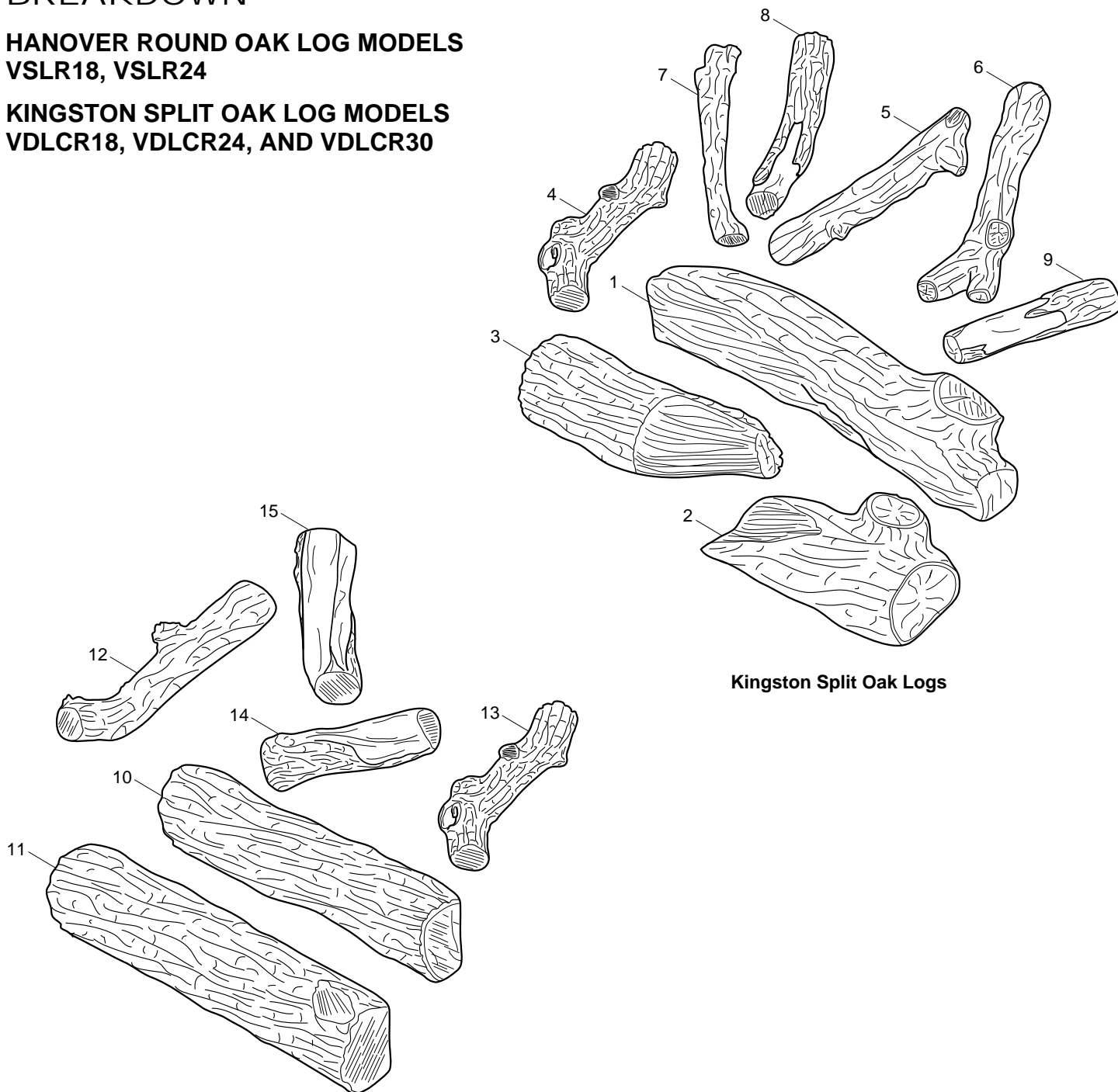
This list contains replaceable parts used in your log set. When ordering parts, follow the instructions listed under *Replacement Parts* on page 12 of this manual.

KEY NO.	PART NUMBER FOR					DESCRIPTION	QTY.
	VVSA18R	VVSA24R	VVDA18R	VVDA24R	VVDA30R		
1	901063-01	901063-01	901063-01	901063-01	901063-01	Brass 3/8 FLR x 1/2 FPT Elbow	1
2	901056-01	901056-01	901056-01	901056-01	901056-01	Brass 3/8 FLR x 3/8 MPT Elbow	1
3	901066-01	901066-01	901066-01	901066-01	901066-01	Brass Air Mixer - Natural Gas	1
4	901064-03	901064-04	901064-03	901064-08	901064-09	Natural Gas Injector	1
5	901208-01	901208-02	901209-01	901209-02	901209-03	Burner Manifold	1
6	901136-01	901136-02	901137-01	901137-02	901137-03	Burner Pan	1
7	901242-01	901242-01	901242-01	901242-01	901242-01	Damper Clamp - Std. Assembly	1
8	901232-01	901232-01	901232-01	901232-01	901232-01	Gas Line - 12" Aluminum	1
9	901430-01	901430-01	901431-01	901431-01	901431-01	Grate Steps	2
10	901243-01	901243-02	901246-01	901246-02	901246-03	Log Grate	1
11	—	—	901681-01	901681-01	901681-01	Burner Strap	1
12	—	—	901078-01	901078-01	901078-01	Nut #8/32	1
13	—	—	901076-01	901076-01	901076-01	Screw #8/32 x 3/8	1
14	106824-01	106824-01	106824-01	106824-01	106824-01	Piezo Cover	1
15	901066-02	901066-02	901066-02	901066-02	901066-02	Propane/LP Brass Air Mixer	1
16	901065-02	901065-03	901065-02	901065-03	901065-04	Propane/LP Brass Orifice	1
17	901075-01	901075-01	901075-01	901075-01	901075-01	Screw 1/4" #8 "B" pt	6
18	105575-01	105575-01	105575-01	105575-01	105575-01	Jumper Wire	1
19	M12461-26	M12461-26	M12461-26	M12461-26	M12461-26	Machine Screw #10-32 x 3.8" (901077-01)	1
20	097159-04	097159-04	097159-04	097159-04	097159-04	Piezo Igniter	1
21	901071-01	901071-01	901071-01	901071-01	901071-01	Valve, mV	1
22	901073-01	901073-01	901073-01	901073-01	901073-01	Pilot Burner (with natural gas orifice)	1
23	901072-01	901072-01	901072-01	901072-01	901072-01	Piezo Ignitor Electrode	1
24	106823-01	106823-01	106823-01	106823-01	106823-01	Steel Shroud	1
25	901070-01	901070-01	901070-01	901070-01	901070-01	Propane/LP Pilot Burner Orifice	1
PARTS AVAILABLE — NOT SHOWN							
	901156-01	901156-01	901156-01	901156-01	901156-01	.125# Bag Embers	1
	901155-01	901155-01	901155-01	901155-01	901155-01	1.5# Bag Ash Bed Material (Vermiculite)	1
	901838-01	901838-01	901838-01	901838-01	901838-01	Remote Receiver Cover (Log)	1

ILLUSTRATED PARTS BREAKDOWN

HANOVER ROUND OAK LOG MODELS VSLR18, VSLR24

KINGSTON SPLIT OAK LOG MODELS VDLCR18, VDLR24, AND VDLR30



Hanover Round Oak Logs

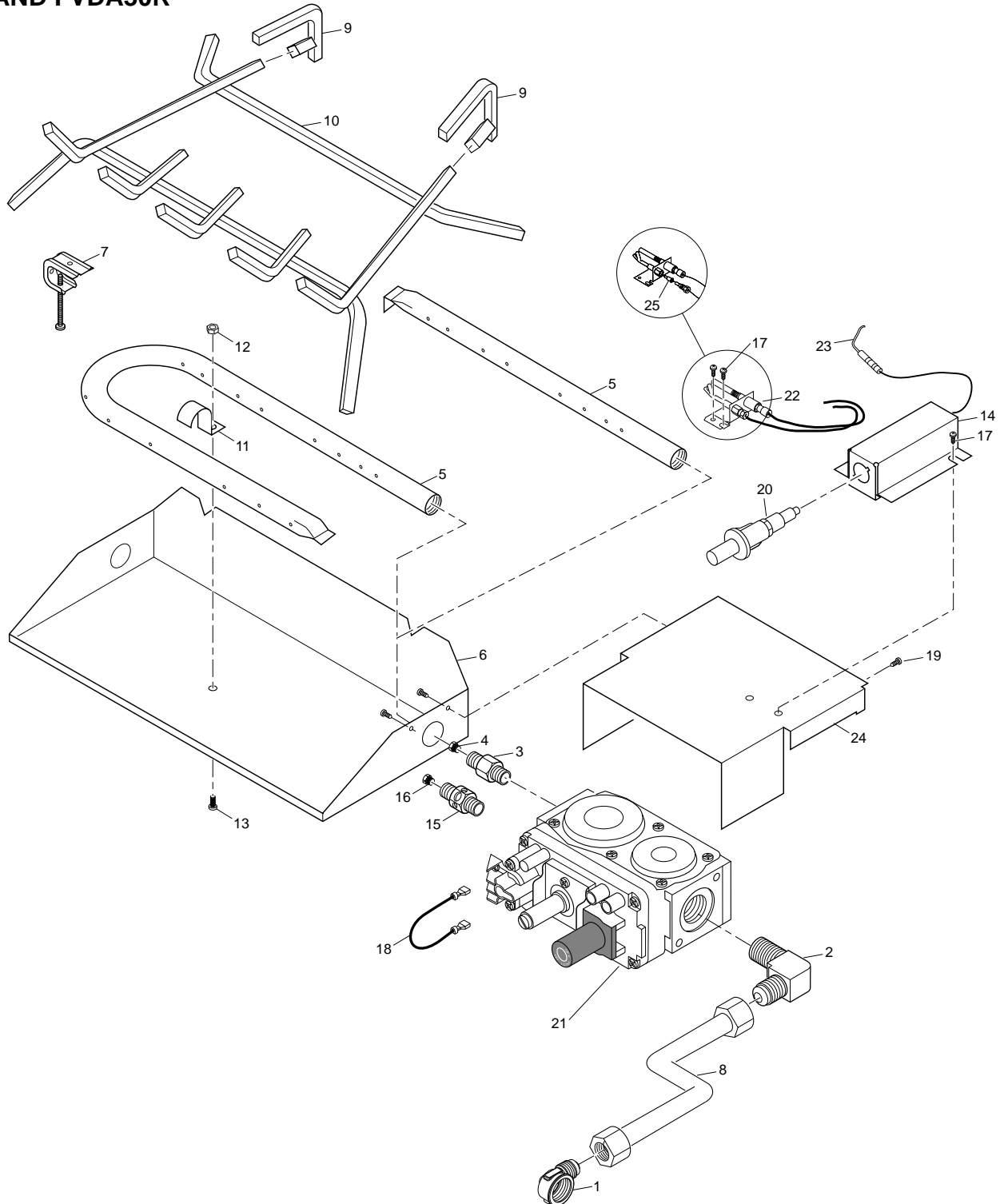
Kingston Split Oak Logs

PARTS LIST

This list contains replaceable parts used in your log set. When ordering parts, follow the instructions listed under *Replacement Parts* on page 12 of this manual.

KEY NO.	PART NUMBER FOR					DESCRIPTION	QTY.
	VSLR18	VSLR24	VDLCR18	VDLCR24	VDLCR30		
1	—	—	901565-02	901566-02	901567-02	Bottom Rear	1
2	—	—	901603-01	901604-01	901604-04	Bottom Front	1
3	—	—	901593-01	901594-01	901595-01	Bottom Front	1
4	—	—	—	—	901580-02	VR-11\VC Top Log	1
5	—	—	901588-01	901588-01	901588-01	VS-12 Top Log	1
6	—	—	—	901592-01	901592-01	VCR-12 Top Log	1
7	—	—	901591-02	901591-02	901591-02	VCR-11\VC Top Log	1
8	—	—	901551-03	901551-03	901551-03	CHR-13\VC Top Log	1
9	—	—	901587-01	901587-01	901587-01	VCR-9 Top Log	1
10	901625-03	901626-03	—	—	—	Bottom Rear	1
11	901583-01	901584-01	—	—	—	Bottom Front	1
12	901541-02	901541-02	—	—	—	CPR-13\VR Top Log	1
13	901580-01	901580-01	—	—	—	VR-11\VR Top Log	1
14	901579-01	901579-01	—	—	—	VR-10Y Top Log	1
15	—	901578-01	—	—	—	VR-10 Top Log	1

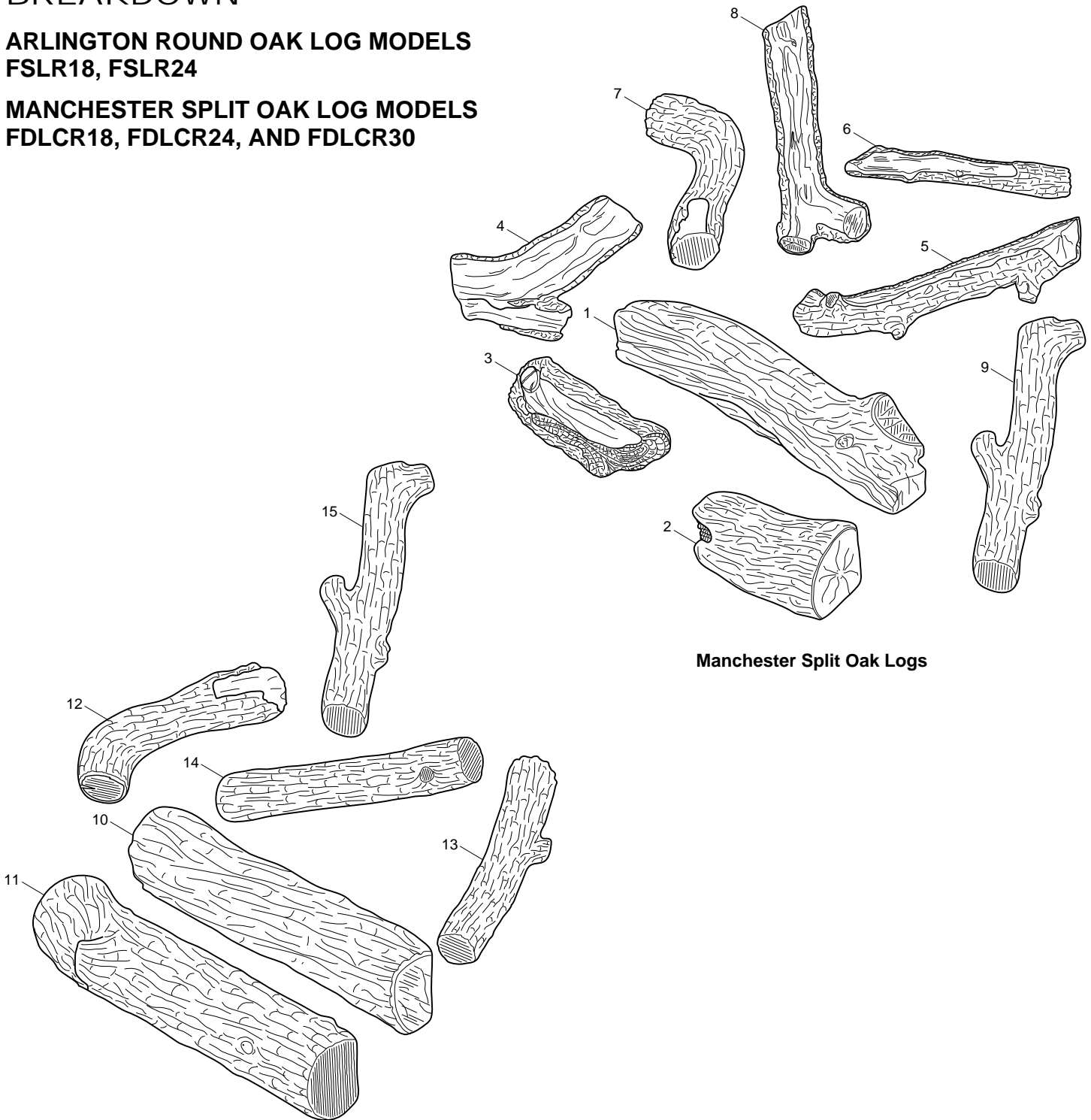
ILLUSTRATED PARTS BREAKDOWN

MODELS FVSA18R, FVSA24R, FVDA18R,
FVDA24R, AND FVDA30RFor more information, visit www.desatech.com

PARTS LIST

This list contains replaceable parts used in your log set. When ordering parts, follow the instructions listed under *Replacement Parts* on page 12 of this manual.

KEY NO.	PART NUMBER FOR					DESCRIPTION	QTY.
	FVSA18R	FVSA24R	FVDA18R	FVDA24R	FVDA30R		
1	901063-01	901063-01	901063-01	901063-01	901063-01	Brass 3/8 FLR x 1/2 FPT Elbow	1
2	901056-01	901056-01	901056-01	901056-01	901056-01	Brass 3/8 FLR x 3/8 MPT Elbow	1
3	901066-01	901066-01	901066-01	901066-01	901066-01	Brass Air Mixer - Natural Gas	1
4	901064-03	901064-04	901064-03	901064-08	901064-09	Natural Gas Injector	1
5	901208-01	901208-02	901209-01	901209-02	901209-03	Burner Manifold	1
6	901136-01	901136-02	901137-01	901137-02	901137-03	Burner Pan	1
7	901242-01	901242-01	901242-01	901242-01	901242-01	Damper Clamp - Std. Assembly	1
8	901232-01	901232-01	901232-01	901232-01	901232-01	Gas Line - 12" Aluminum	1
9	901430-01	901430-01	901431-01	901431-01	901431-01	Grate Steps	2
10	901243-01	901243-02	901246-01	901246-02	901246-03	Log Grate	1
11	—	—	901681-01	901681-01	901681-01	Burner Strap	1
12	—	—	901078-01	901078-01	901078-01	Nut #8/32	1
13	—	—	901076-01	901076-01	901076-01	Screw #8/32 x 3/8	1
14	106824-01	106824-01	106824-01	106824-01	106824-01	Piezo Cover	1
15	901066-02	901066-02	901066-02	901066-02	901066-02	Propane/LP Brass Air Mixer	1
16	901065-02	901065-03	901065-02	901065-03	901065-04	Propane/LP Brass Orifice	1
17	901075-01	901075-01	901075-01	901075-01	901075-01	Screw 1/4" #8 "B" pt	6
18	105575-01	105575-01	105575-01	105575-01	105575-01	Jumper Wire	1
19	M12461-26	M12461-26	M12461-26	M12461-26	M12461-26	Machine Screw #10-32 x 3.8" (901077-01)	1
20	097159-04	097159-04	097159-04	097159-04	097159-04	Piezo Igniter	1
21	901071-01	901071-01	901071-01	901071-01	901071-01	Valve, mV	1
22	901073-01	901073-01	901073-01	901073-01	901073-01	Pilot Burner (with natural gas orifice)	1
23	901072-01	901072-01	901072-01	901072-01	901072-01	Piezo Ignitor Electrode	1
24	106823-01	106823-01	106823-01	106823-01	106823-01	Steel Shroud	1
25	901070-01	901070-01	901070-01	901070-01	901070-01	Propane/LP Pilot Burner Orifice	1
PARTS AVAILABLE — NOT SHOWN							
	901156-01	901156-01	901156-01	901156-01	901156-01	.125# Bag Embers	1
	901155-01	901155-01	901155-01	901155-01	901155-01	1.5# Bag Ash Bed Material (Vermiculite)	1
	901838-01	901838-01	901838-01	901838-01	901838-01	Remote Receiver Cover (Log)	1

ILLUSTRATED PARTS
BREAKDOWNARLINGTON ROUND OAK LOG MODELS
FSLR18, FSLR24MANCHESTER SPLIT OAK LOG MODELS
FDLCR18, FDLR24, AND FDLR30

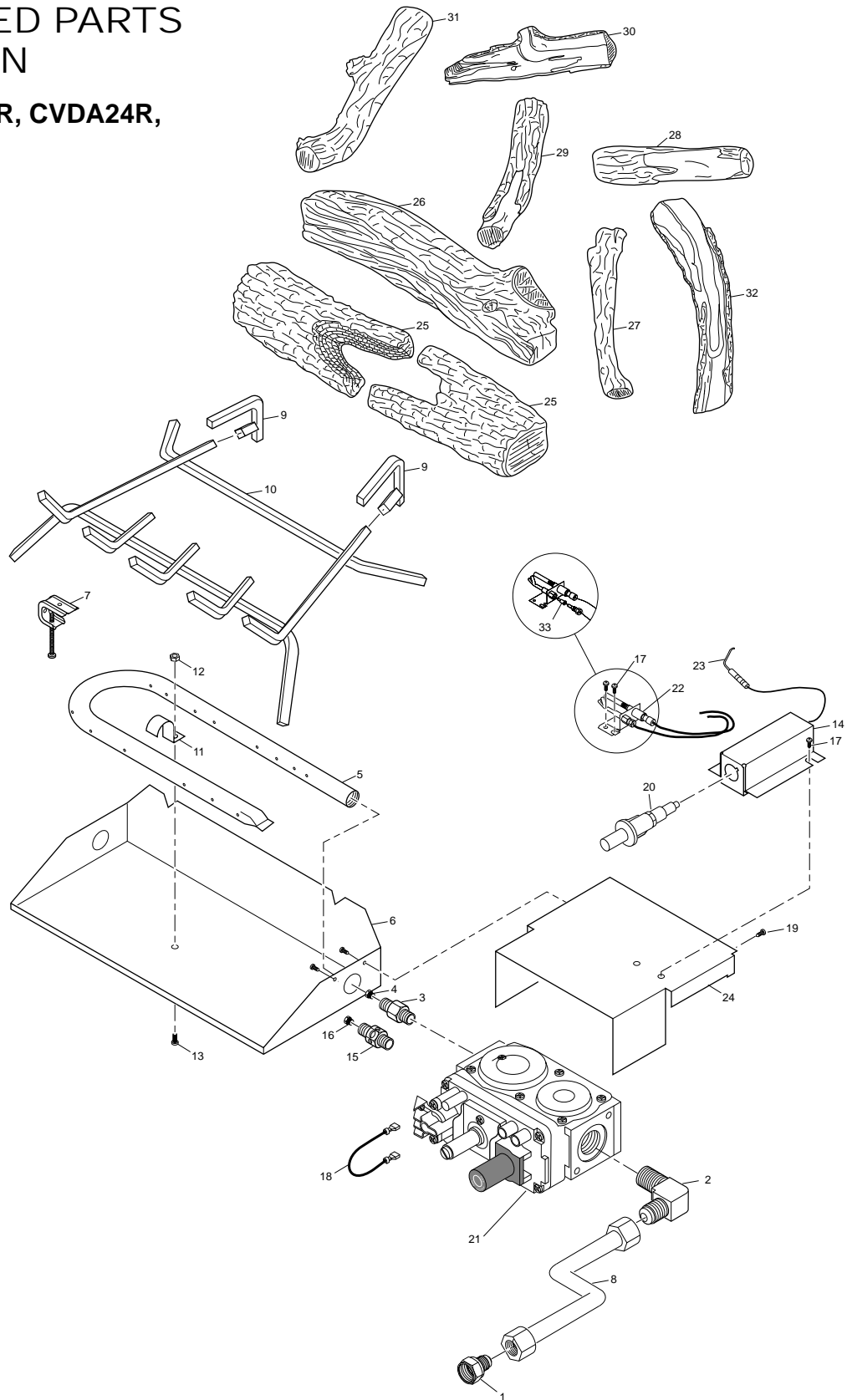
Manchester Split Oak Logs

Arlington Round Oak Logs

PARTS LIST

This list contains replaceable parts used in your log set. When ordering parts, follow the instructions listed under *Replacement Parts* on page 12 of this manual.

KEY NO.	PART NUMBER FOR					DESCRIPTION	QTY.
	FSLR18	FSLR24	FDLCR18	FDLCR24	FDLCR30		
1	—	—	901565-03	901566-03	901567-03	Bottom Rear Log	1
2	—	—	901656-01	901657-01	901658-01	Bottom Front Log	1
3	—	—	901666-01	901667-01	901668-01	Bottom Front Log	1
4	—	—	901619-01	901619-01	901619-01	FS-12Y Top Log	1
5	—	—	901617-01	901617-01	901617-01	FS-16 Top Log	1
6	—	—	901612-01	901612-01	901612-01	FS-17 Top Log	1
7	—	—	901620-02	901620-02	901620-02	FR12L Top Log	1
8	—	—	—	901614-01	901614-01	FS15 Top Log	1
9	—	—	—	—	901623-02	FR14 Top Log	1
10	901625-01	901626-01	—	—	—	Bottom Rear Log	1
11	901635-01	901636-01	—	—	—	Bottom Front Log	1
12	901620-01	901620-01	—	—	—	FR12L Top Log	1
13	901622-01	901622-01	—	—	—	FR11 Top Log	1
14	—	901547-01	—	—	—	CPR11 Top Log	1
15	901623-01	901623-01	—	—	—	FR14 Top Log	1

ILLUSTRATED PARTS
BREAKDOWNMODELS CVDA18R, CVDA24R,
AND CVDA30RFor more information, visit www.desatech.com

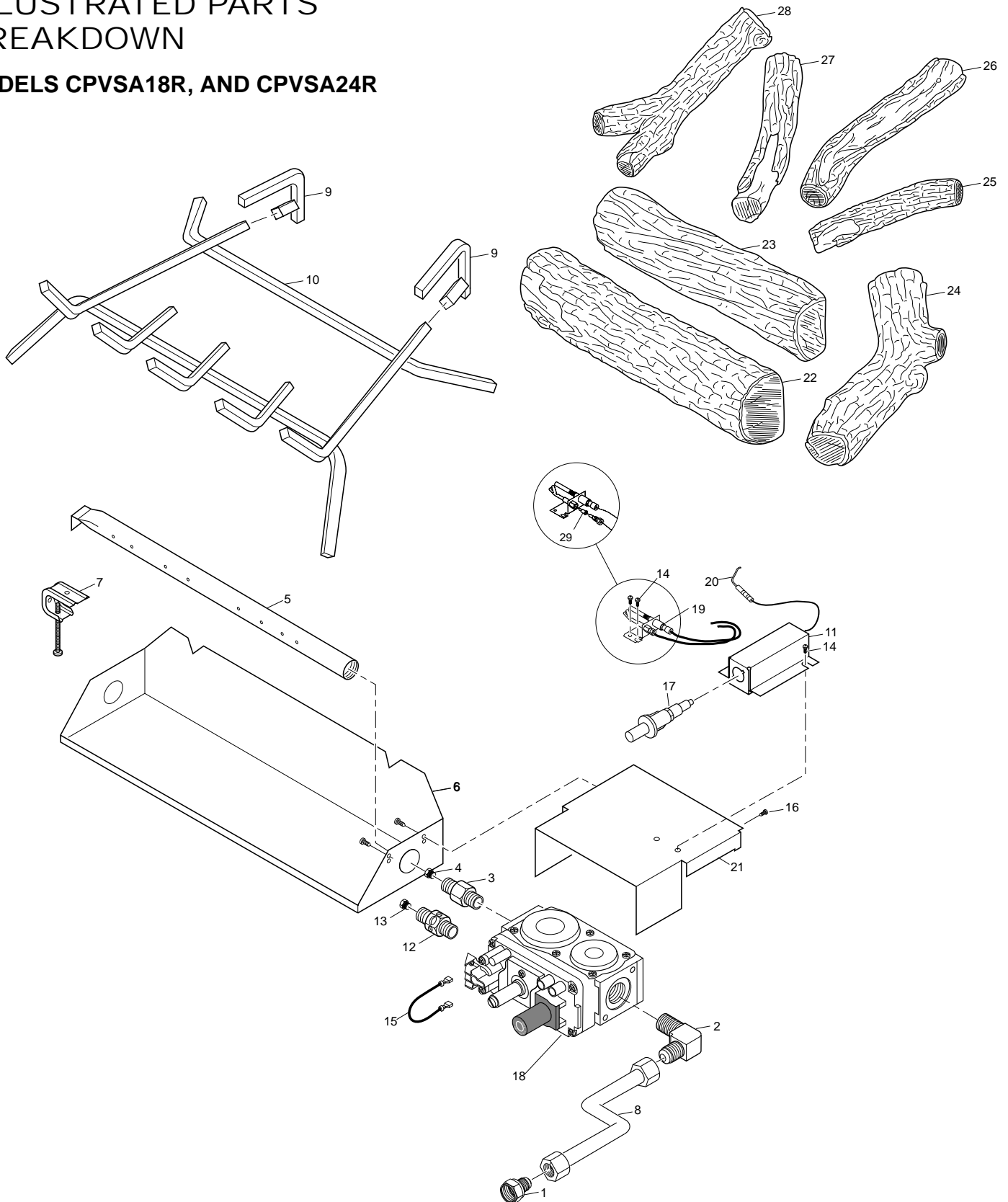
PARTS LIST

This list contains replaceable parts used in your log set. When ordering parts, follow the instructions listed under *Replacement Parts* on page 12 of this manual.

KEY NO.	PART NUMBER FOR			DESCRIPTION	QTY.
	CVDA18R	CVDA24R	CVDA30R		
1	901058-01	901058-01	901058-01	Brass 3/8 FLR x 1/2 FPT	1
2	901056-01	901056-01	901056-01	Brass 3/8 FLR x 3/8 MPT Elbow	1
3	901066-01	901066-01	901066-01	Brass Air Mixer - Natural Gas	1
4	901064-03	901064-08	901064-09	Natural Gas Injector	1
5	901209-01	901209-02	901209-03	Burner Manifold	1
6	901137-01	901137-02	901137-03	Burner Pan	1
7	901242-01	901242-01	901242-01	Damper Clamp - Std. Assembly	1
8	101628-01	101628-01	101628-01	Gas Line - 10" Flexible	1
9	901431-01	901431-01	901431-01	Grate Steps	2
10	901246-01	901246-02	901246-03	Log Grate	1
11	901681-01	901681-01	901681-01	Burner Strap	1
12	901078-01	901078-01	901078-01	Nut #8/32	1
13	901076-01	901076-01	901076-01	Screw #8/32 x 3/8	1
14	106824-01	106824-01	106824-01	Piezo Cover	1
15	901066-02	901066-02	901066-02	Propane/LP Brass Air Mixer	1
16	901065-02	901065-03	901065-04	Propane/LP Brass Orifice	1
17	901075-01	901075-01	901075-01	Screw 1/4" #8 "B" pt	6
18	105575-01	105575-01	105575-01	Jumper Wire	1
19	M12461-26	M12461-26	M12461-26	Machine Screw #10-32 x 3/8 (901077-01)	1
20	097159-04	097159-04	097159-04	Piezo Igniter	1
21	901071-01	901071-01	901071-01	Valve, mV	1
22	901073-01	901073-01	901073-01	Pilot Burner (with natural gas orifice)	1
23	901072-01	901072-01	901072-01	Piezo Igniter Electrode	1
24	106823-01	106823-01	106823-01	Steel Shroud	1
25	901645-01	901646-01	901647-01	Bottom Front Log	2
26	901528-01	901566-01	901567-01	Bottom Rear Log	1
27	901591-03	901591-03	901591-03	VCR11/CC Top Log	1
28	901587-03	901587-03	901587-03	VCR9/CC Top Log	1
29	—	901551-02	901551-02	CHR13/CC Top Log	1
30	901527-03	901527-03	901527-03	CS12/CC Top Log	1
31	901541-03	901541-03	901541-03	CPR13/CC Top Log	1
32	—	—	901528-01	CS16/CC Top Log	1
33	901070-01	901070-01	901070-01	Propane/LP Pilot Burner Orifice	1
	901156-01	901156-01	901156-01	.125# Bag Embers	1
	901155-01	901155-01	901155-01	1.5# Bag Ash Bed Material (Vermiculite)	1
	901838-01	901838-01	901838-01	Remote Receiver Cover (Log)	1

ILLUSTRATED PARTS
BREAKDOWN

MODELS CPVSA18R, AND CPVSA24R

For more information, visit www.desatech.com

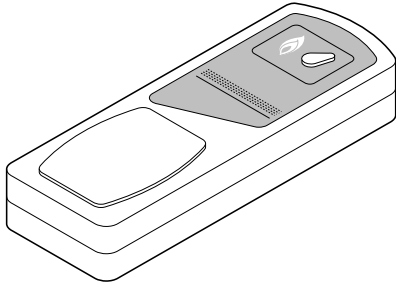
PARTS LIST

This list contains replaceable parts used in your log set. When ordering parts, follow the instructions listed under *Replacement Parts* on page 12 of this manual.

KEY NO.	PART NUMBER FOR			QTY.
	CPVSA18R	CPVSA24R	DESCRIPTION	
1	901058-01	901058-01	Brass 3/8 FLR x 1/2 FPT	1
2	901056-01	901056-01	Brass 3/8 FLR x 3/8 MPT Elbow	1
3	901066-01	901066-01	Brass Air Mixer - Natural Gas	1
4	901064-03	901064-04	Natural Gas Injector	1
5	901209-01	901209-02	Burner Manifold	1
6	901136-01	901136-02	Burner Pan	1
7	901242-01	901242-01	Damper Clamp - Std. Assembly	1
8	101628-01	101628-01	Gas Line - 10" Flexible	1
9	901431-01	901431-01	Grate Steps	2
10	901246-01	901246-02	Log Grate	1
11	106824-01	106824-01	Piezo Cover	1
12	901066-02	901066-02	Propane/LP Brass Air Mixer	1
13	901065-02	901065-03	Propane/LP Brass Orifice	1
14	901075-01	901075-01	Screw 1/4" #8 "B" pt	6
15	105575-01	105575-01	Jumper Wire	1
16	M12461-26	M12461-26	Machine Screw #10/32 x 3/8 (901077-01)	1
17	097159-04	097159-04	Piezo Igniter	1
18	901071-01	901071-01	Valve, mV	1
19	901073-01	901073-01	Pilot Burner (with natural gas orifice)	1
20	901072-01	901072-01	Piezo Igniter Electrode	1
21	106823-01	106823-01	Steel Shroud	1
22	901641-01	901642-01	Bottom Front Log	1
23	901625-02	901626-02	Bottom Rear Log	1
24	—	901580-04	VR11/CH Top Log	1
25	901555-01	901555-01	CHR10/CH Top Log	1
26	901550-01	901550-01	CHR11/CH Top Log	1
27	901551-01	901551-01	CHR13/CH Top Log	1
28	901556-01	901556-01	CHR13Y/CH Top Log	1
29	901070-01	901070-01	Propane/LP Pilot Burner Orifice	1
PARTS AVAILABLE — NOT SHOWN				
	901156-01	901156-01	.125# Bag Embers	1
	901155-01	901155-01	1.5# Bag Ash Bed Material (Vermiculite)	1
	901838-01	901838-01	Remote Receiver Cover (Log)	1

ACCESSORIES

Purchase these heater accessories from your local dealer. If they can not supply these accessories, call DESA International at 1-866-672-6040 for referral information. You can also write to the address listed on the back page of this manual.



RECEIVER AND HAND-HELD REMOTE CONTROL KIT - GHRC SERIES

For all models. Allows the gas log heater to be turned on and off by using a hand-held remote control.

WALL-MOUNT ON/OFF SWITCH - GWMS2 (Not Shown)

For all models. Allows the gas log heater to be turned on and off with a wall switch.

ASH BED MATERIAL (Vermiculite) - GA9750A (Not Shown)

For all models. Carton of 6.

GLOWING EMBERS - GA9950A (Not Shown)

For all models. Use for firebox decoration only.

SILICA SAND - GA9850A (Not Shown)

For all models. Use for firebox decoration only. Carton of 6.

LAVA ROCK - GA6067A (Not Shown)

For all models. Use for firebox decoration only.

DECORATIVE ASH BED CONTROL COVER CDABKA (Not Shown)

An attractive way to cover control knob and piezo ignitor.

18" ORNAMENTAL GRATE ENHANCER GA9350A (Not Shown)

For 18" models only. Additional decoration for front grate.

24" ORNAMENTAL GRATE ENHANCER GA9360A (Not Shown)

For 24" models only. Additional decoration for front grate.

30" ORNAMENTAL GRATE ENHANCER GA9370A (Not Shown)

For 30" models only. Additional decoration for front grate.

OWNER'S REGISTRATION FORM

In order to provide better customer service for this and future purchases, we recommend that you register your product with us. You can register online at www.desatech.com. If access to our website is not available to you, please complete this Owner's Registration Form and mail to the address on the back of this owner's manual. Please provide the following product information:

Brand: _____ (Comfort Glow, Vanguard, etc.)
 Model: _____ (EFP33PR, VTGH33NR, etc.)
 Date Purchased: _____ Note: Keep receipt for warranty verification.
 Serial Number: _____ 7 or 9 digit number located on product or identification tag.
 First Name: _____ Last Name: _____
 Address: _____
 City: _____ State: _____ Zip: _____ Country: _____
 Home Phone: _____ - _____
 E-Mail: _____

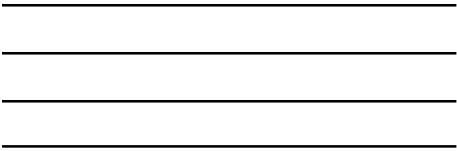
Please answer the following questions to register your product with DESA International:

1. Where will the product be used?
 Living/Family Room Office/Warehouse Utility Shed/Outbuilding Garage Bedroom Bathroom Other
2. If you bought this product yourself, did you plan to purchase this type of product before going into the store? Yes No
3. Who selected the product? Male Female Both
4. What is the population of your area? Under 10,000 10,000 to 25,000 25,000 to 50,000 50,000 to 100,000
 100,000 to 250,000 Over 250,000
5. What is your primary source of heat? Propane (LP Gas) Fuel Oil Wood Natural Gas Electric Other
6. How was the product installed? Professional Installer Self Other
7. Cost of product excluding sales tax? \$ _____
8. Cost to install product? \$ _____
9. Type of store where product was purchased? Hardware Propane Dealer Natural Gas/Utility Co. Home Center/Builder's Supply
 Fireplace or Hearth Shop Farm Store Other
10. What motivated you to buy this product? Sudden Cold Weather Replace Older Model D.I.Y. Home Project
 Emergency Back-Up Heat Heater was on Sale Energy Savings/High Efficiency Construction Project Other
11. How did you learn about this product brand? Advertising Relative or Friend Store Display Other _____
12. Level of Education of Purchaser: Some High School Completed High School Completed College Completed Graduate School
13. Age of Purchaser: Under 20 20 - 29 30 - 39 40 - 49 50 - 59 60 or Over
14. Buyer's total annual household income: Under \$15,000 \$15,000 to \$19,999 \$20,000 to \$34,999 \$35,000 to \$49,999
 \$50,000 to \$74,999 \$75,000 to \$99,999 \$100,000 and Over
15. Store where product was purchased:
 Name: _____
 City: _____ State: _____

16. In choosing this product, how important were the following:

	Not Important	Somewhat Important	Very Important
Availability	<input type="radio"/>	<input type="radio"/>	<input type="radio"/>
Price	<input type="radio"/>	<input type="radio"/>	<input type="radio"/>
Brand Name	<input type="radio"/>	<input type="radio"/>	<input type="radio"/>
Overall Quality	<input type="radio"/>	<input type="radio"/>	<input type="radio"/>
Heat Output	<input type="radio"/>	<input type="radio"/>	<input type="radio"/>
Made in USA	<input type="radio"/>	<input type="radio"/>	<input type="radio"/>
Warranty	<input type="radio"/>	<input type="radio"/>	<input type="radio"/>
Local Service	<input type="radio"/>	<input type="radio"/>	<input type="radio"/>
Value for Price	<input type="radio"/>	<input type="radio"/>	<input type="radio"/>
Prior Brand Experience	<input type="radio"/>	<input type="radio"/>	<input type="radio"/>
Controls Location	<input type="radio"/>	<input type="radio"/>	<input type="radio"/>
Thermostat, Remote, or Manual Operation	<input type="radio"/>	<input type="radio"/>	<input type="radio"/>
Ease of Operation	<input type="radio"/>	<input type="radio"/>	<input type="radio"/>
Special Features	<input type="radio"/>	<input type="radio"/>	<input type="radio"/>
Salesperson's Recommendation	<input type="radio"/>	<input type="radio"/>	<input type="radio"/>
Friend/Relative's Recommendation	<input type="radio"/>	<input type="radio"/>	<input type="radio"/>
Portability	<input type="radio"/>	<input type="radio"/>	<input type="radio"/>
Quiet Operation	<input type="radio"/>	<input type="radio"/>	<input type="radio"/>

TAPE



Postage
Required

DESATM
INTERNATIONAL
2701 Industrial Drive
P.O. Box 90004
Bowling Green, KY 42102-9004

TAPE

WARRANTY INFORMATION

KEEP THIS WARRANTY

Model _____
Serial No. _____
Date Purchased _____

Always specify model and serial numbers when communicating with the factory.

We reserve the right to amend these specifications at any time without notice. The only warranty applicable is our standard written warranty. We make no other warranty, expressed or implied.

LIMITED WARRANTY VENTED GAS LOGS

DESA International warrants this product to be free from defects on burner system for four (4) years, valves/controls for one (1) year, and logs for a lifetime from the date of first purchase, provided that the product has been properly installed, operated and maintained in accordance with all applicable instructions. To make a claim under this warranty the Bill of Sale or cancelled check must be presented.

This warranty is extended only to the original retail purchaser. This warranty covers the cost of part(s) required to restore this log set to proper operating condition and an allowance for labor when provided by a DESA International's Authorized Service Center. Warranty part(s) MUST be obtained through authorized dealers of this product and/or DESA International who will provide original factory replacement parts. Failure to use original factory replacement parts voids this warranty. The log set MUST be installed by a qualified installer in accordance with all local codes and instructions furnished with the unit.

This warranty does not apply to parts that are not in original condition because of normal wear and tear, or parts that fail or become damaged as a result of misuse, accidents, lack of proper maintenance or defects caused by improper installation. Travel, diagnostic cost, labor, transportation and any and all such other costs related to repairing a defective log set will be the responsibility of the owner.

TO THE FULL EXTENT ALLOWED BY THE LAW OF THE JURISDICTION THAT GOVERNS THE SALE OF THE PRODUCT; THIS EXPRESS WARRANTY EXCLUDES ANY AND ALL OTHER EXPRESSED WARRANTIES AND LIMITS THE DURATION OF ANY AND ALL IMPLIED WARRANTIES, INCLUDING WARRANTIES OF MERCHANTABILITY AND FITNESS FOR A PARTICULAR PURPOSE TO FOUR (4) YEARS ON BURNER SYSTEM, VALVES/CONTROLS FOR ONE (1) YEAR, AND A LIFETIME ON LOGS FROM THE DATE OF FIRST PURCHASE; AND DESA INTERNATIONAL'S LIABILITY IS HEREBY LIMITED TO THE PURCHASE PRICE OF THE PRODUCT AND DESA INTERNATIONAL SHALL NOT BE LIABLE FOR ANY OTHER DAMAGES WHATSOEVER INCLUDING INDIRECT, INCIDENTAL OR CONSEQUENTIAL DAMAGES.

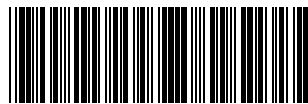
Some states do not allow a limitation on how long an implied warranty lasts or an exclusion or limitation of incidental or consequential damages, so the above limitation on implied warranties, or exclusion or limitation on damages may not apply to you.

This warranty gives you specific legal rights, and you may also have other rights that vary from state to state.

For information about this warranty write:



2701 Industrial Drive
P.O. Box 90004
Bowling Green, KY 42102-9004
www.desatech.com



901273 01

NOT A UPC

901273-01
Rev. D
10/02

For more information, visit www.desatech.com

Free Manuals Download Website

<http://myh66.com>

<http://usermanuals.us>

<http://www.somanuals.com>

<http://www.4manuals.cc>

<http://www.manual-lib.com>

<http://www.404manual.com>

<http://www.luxmanual.com>

<http://aubethermostatmanual.com>

Golf course search by state

<http://golfingnear.com>

Email search by domain

<http://emailbydomain.com>

Auto manuals search

<http://auto.somanuals.com>

TV manuals search

<http://tv.somanuals.com>