

Dialogic®

DM/N1200-4E1-cPCI

Digital Telephony Interface Board

Quick Install Card for CompactPCI

Dialogic®

Part Number
64-0075-02
Copyright © 2003-2007
Dialogic Corporation.
All Rights Reserved.

Before You Begin

Protecting the Board from Damage

CAUTION: All computer boards are sensitive to electrostatic discharge (“ESD”). Handle all static-sensitive boards and components at a static-safe work area, and observe anti-static precautions at all times. If you are not familiar with ESD safety precautions, visit <http://www.dialogic.com/support/hwinstall> to learn more.

Unpacking the Board

Unpack the Dialogic® DM/N1200-4E1-cPCI Digital Telephony Interface Board (“board”) according to the following steps:

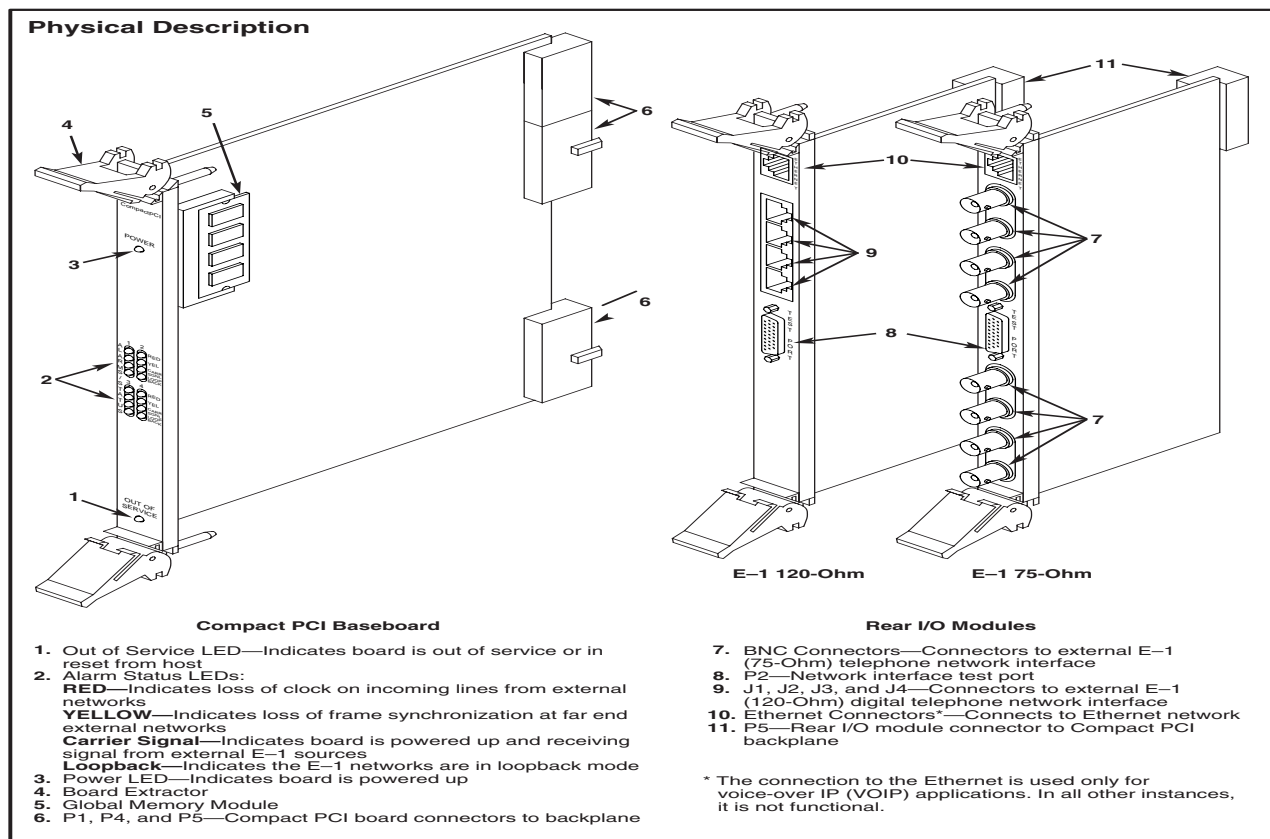
1. Prepare a static-safeguarded work area.
2. Carefully remove the board from the shipping carton and anti-static packaging. Handle the board by the edges and avoid touching the board’s components.
3. Lay the board on the static-dissipative work surface.

Note: Place boards in static-shielding bags when carrying boards from station to station.

CAUTION: Do not remove the board from the anti-static packaging until you are ready to install it. Observe proper anti-static precautions at all times.

Installing the Product

CAUTION: The procedures provided in this document fully describe how to install the DM/N1200-4E1-cPCI in a “cold” system (powered off). The procedure for live insertion, or hot swap, is system dependent. Refer to the Administration Guide for your particular Dialogic® System Software release for further details.



Installing the Rear I/O Module

NOTE: If you are installing the product in a live insertion system (powered-on), you should install the Rear I/O module before the main board.

1. Work at a static-safe area. Turn the power to the chassis **OFF** if you do not have a live insertion system. If you have live insertion capability, the power to the chassis can remain **ON**.
2. Remove the cover plate or open the chassis door.
3. If you already installed the main board, locate the rear of the selected slot; otherwise, select an empty peripheral expansion bus slot.
4. Install the Rear I/O module in the rear of the slot. Use the slot’s board guides as you insert the board into the chassis slot. Make sure that the tabs on the board extractors engage the guide holes in the chassis card cage, then lock down the board extractors until the red locking tabs snap shut.

CAUTION: CompactPCI backplane pins are bent easily. Make sure that the board is seated with hand pressure before fully seating board. If board extractors are used to seat the board, make sure to seat evenly.

Installing the Main Board

NOTE: If you are installing the product in a live insertion system (with the power on), you should install the Rear I/O module before the main board.

1. Work at a static-safe area. Turn the power to the chassis **OFF** if you do not have a live insertion system. If you have live insertion capability, the power to the chassis can remain **ON**.
2. Remove the cover plate or open the front chassis door.
3. If you already installed the Rear I/O module, locate the front of the selected slot; otherwise, select an empty peripheral expansion bus slot.
4. Install the main board in the front of the selected slot. Use the slot’s board guides as you insert the board into the chassis slot. Make sure that the tabs on the

board extractors engage the guide holes in the chassis card cage, then lock down the board extractors until the red locking tabs snap shut.

CAUTION: CompactPCI backplane pins are bent easily. Make sure that the board is seated with hand pressure before fully seating board. If board extractors are used to seat the board, make sure to seat evenly.

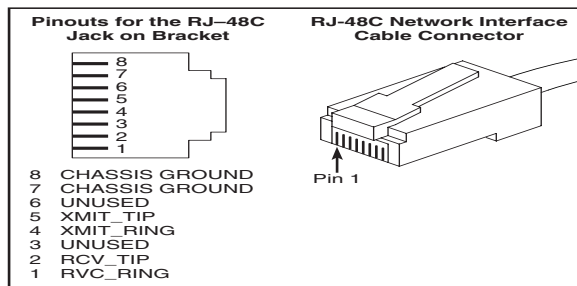
NOTE: If the power to the chassis is on, power is automatically applied to the board, the Out of Service LED lights briefly and then goes out, and the Power LED goes on.

5. Tighten the retaining screws to secure the board firmly in the chassis slot (optional).
6. If the power to the chassis is turned **OFF**, turn the power to the chassis **ON**.

Connecting External Cables

For information about the pinouts for the network interface cable, refer to the *Pinouts for the RJ-48C* figure.

Pinouts for the RJ-48C



After Installing the Hardware

After installing the hardware, proceed with the Dialogic® System Software installation as described in the system software documentation (if applicable).

For technical specifications and product information, see the Dialogic website at

<http://www.dialogic.com/products.htm>

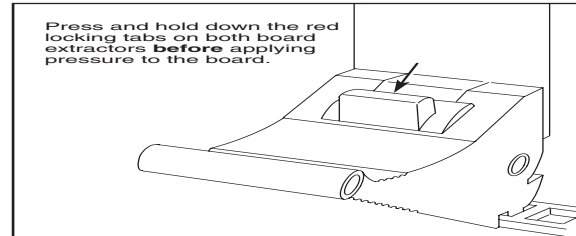
Removing the Main Board

Exercise caution when removing the board from a CompactPCI chassis. The board extractors are equipped with red locking tabs that lock when the board is correctly positioned in the chassis.

To remove the board from the chassis, simultaneously press down both red locking tabs (see the *CompactPCI Extractor* figure) on the extractors before applying pressure away from the center of the board to disengage.

CAUTION: When removing the board, if the red locking tabs on the extractors are not pressed while applying pressure to the extractors, there is a risk of breaking the tabs.

CompactPCI Extractor



Removing the Rear I/O Module

NOTE: In a live insertion (powered-on) system, do not remove and replace a Rear I/O module while the main (front) board is in service. Remove the front board first, then remove and replace the Rear I/O module, and then reinsert the front board.

To remove the board from the chassis, simultaneously press down both red locking tabs (see the *CompactPCI Extractor* figure) on the extractors before applying pressure away from the center of the board to disengage.

Warranty and Return Information

Warranty Period

For specific warranty information for this board, refer to the Warranty section of the Products page, located at this URL: <http://www.dialogic.com/warranties/>.

Contacting Technical Support

Dialogic provides technical support for its products through a network of value added distributors who are trained to answer technical questions on installing and configuring Dialogic® products. If you are unsure how to contact your support channel, please call Dialogic in the United States at 973-967-6600 (9am-5pm EST) and we will assist in obtaining the appropriate support channel. Outside the United States please refer to <http://www.dialogic.com/support/contact> to obtain local contact information. Dialogic also provides direct support via Dialogic® Pro™ Services agreements. For

more details of direct support from Dialogic please refer to: <http://www.dialogic.com/support/DialogicPro>.

Returning a Product

To return a board for warranty repair or any other returns, please refer to the following: <http://www.dialogic.com/support/hwfaults>.

Sales Assistance

If you have a sales question, please contact your local Sales Representative or the Regional Sales Office for your area. Address, telephone and fax numbers, are available at the Dialogic website located at: <http://www.dialogic.com/contact.htm>.

To purchase Dialogic® products, please refer to the following website to locate the appropriate supplier: <http://www.dialogic.com/purchase.htm>.

All contents of this document are furnished for informational use only and are subject to change without notice and do not represent a commitment on the part of Dialogic Corporation or its subsidiaries ("Dialogic"). Reasonable effort is made to ensure the accuracy of the information contained in the document. However, Dialogic does not warrant the accuracy of this information and cannot accept responsibility for errors, inaccuracies or omissions that may be contained in this document.

INFORMATION IN THIS DOCUMENT IS PROVIDED IN CONNECTION WITH DIALOGIC® PRODUCTS. NO LICENSE, EXPRESS OR IMPLIED, BY ESTOPPEL OR OTHERWISE, TO ANY INTELLECTUAL PROPERTY RIGHTS IS GRANTED BY THIS DOCUMENT. EXCEPT AS PROVIDED IN A SIGNED AGREEMENT BETWEEN YOU AND DIALOGIC, DIALOGIC ASSUMES NO LIABILITY WHATSOEVER, AND DIALOGIC DISCLAIMS ANY EXPRESS OR IMPLIED WARRANTY, RELATING TO SALE AND/OR USE OF DIALOGIC PRODUCTS INCLUDING LIABILITY OR WARRANTIES RELATING TO FITNESS FOR A PARTICULAR PURPOSE, MERCHANTABILITY, OR INFRINGEMENT OF ANY INTELLECTUAL PROPERTY RIGHT OF A THIRD PARTY.

Dialogic products are not intended for use in medical, life saving, life sustaining, critical control or safety systems, or in nuclear facility applications.

It is possible that the use or implementation of any one of the concepts, applications, or ideas described in this document, in marketing collateral produced by or on web pages maintained by Dialogic may infringe one or more patents or other intellectual property rights owned by third parties. Dialogic does not provide any intellectual property licenses with the sale of Dialogic products other than a license to use such product in accordance with intellectual property owned or validly licensed by Dialogic and no such licenses are provided except pursuant to a signed agreement with Dialogic. More detailed information about such intellectual property is available from Dialogic's legal department at 9800 Cavendish Blvd., 5th Floor, Montreal, Quebec, Canada H4M 2V9. Dialogic encourages all users of its products to procure all necessary intellectual property licenses required to implement any concepts or applications and does not condone or encourage any intellectual property infringement and disclaims any responsibility related thereto. These intellectual property licenses may differ from country to country and it is the responsibility of those who develop the concepts or applications to be aware of and comply with different national license requirements.

Dialogic, Diva, Eicon, Eicon Networks, Eiconcard, Dialogic Pro and SIPControl, among others, are either registered trademarks or trademarks of Dialogic. Dialogic's trademarks may be used publicly only with permission from Dialogic. Such permission may only be granted by Dialogic's legal department at 9800 Cavendish Blvd., 5th Floor, Montreal, Quebec, Canada H4M 2V9. Any authorized use of Dialogic's trademarks will be subject to full respect of the trademark guidelines published by Dialogic from time to time and any use of Dialogic's trademarks requires proper acknowledgement. The names of actual companies and products mentioned herein are the trademarks of their respective owners.

Free Manuals Download Website

<http://myh66.com>

<http://usermanuals.us>

<http://www.somanuals.com>

<http://www.4manuals.cc>

<http://www.manual-lib.com>

<http://www.404manual.com>

<http://www.luxmanual.com>

<http://aubethermostatmanual.com>

Golf course search by state

<http://golfingnear.com>

Email search by domain

<http://emailbydomain.com>

Auto manuals search

<http://auto.somanuals.com>

TV manuals search

<http://tv.somanuals.com>