



DIAMOND VIEW

A TRADEMARK OF MITSUBISHI ELECTRIC AUSTRALIA PTY LTD

DIAMOND VIEW[®] DVI90

**Colour TFT LCD Monitor
19.0" (48.26 cm) LCD Panel Size**

User's Manual

Copyright 2003, Mitsubishi Electric Australia Pty. Ltd. All rights reserved.

No part of this publication may be reproduced, transmitted, transcribed, stored in a retrieval system or translated into any language or computer language, in any form or by any means, electronic, mechanical, magnetic, optical, chemical, manual or otherwise, without the prior written permission.

MA/MONDV190/0903/1

Table of Contents

1	Important Safety Instructions	3
2	Features	4
3	Unpacking the Monitor	5
4	Hardware Installation	6
	VGA Cable Installation	6
	DVI-D Cable Installation	7
	Power Cable Installation	7
5	Windows Software Installation	8
	Windows 95	8
	Windows 98	8
	Windows Millennium Edition (Windows ME)	9
	Windows 2000 and Windows XP	Error! Bookmark not defined.
6	Setting the Display Resolution	11
	Choosing The Best Resolution	11
	Supported Graphics Modes and Refresh Rates	12
7	Adjusting the Monitor	16
	Picture Optimisation.....	16
	Manual Picture Adjustment	16
8	Security Lock Installation.....	20
9	Frequently Asked Questions.....	21
10	Specifications.....	23
11	Service Contacts	25
	Australian Service Contacts.....	25
	New Zealand Service Contacts.....	26

Copyright Notice

Copyright 2003, Mitsubishi Electric Australia Pty. Ltd. All rights reserved. No part of this publication may be reproduced, transmitted, transcribed, stored in a retrieval system or translated into any language or computer language, in any form or by any means, electronic, mechanical, magnetic, optical, chemical, manual or otherwise, without the prior written permission.

Disclaimer

Mitsubishi Electric Australia Pty. Ltd. makes no representations or warranties, either expressed or implied, with respect to the contents hereof and specifically disclaims any warranties, merchantability or fitness for any particular purpose. Further, Mitsubishi Electric Australia reserves the right to revise this publication and to make changes from time to time in the contents hereof without obligation to notify any person of such revision or changes.

Diamond View is a registered trademark of Mitsubishi Electric Australia Pty. Ltd.
Microsoft and Windows are registered trademarks of Microsoft Corporation.
All other trademarks remain the property of their respective owners.

Reference Information	
For future reference, write the following information about your monitor in the space below. The serial number is on the back of the product or on the bottom of its stand.	
Monitor Information	
Product Name:	DV190
Serial Number:	_____
Date of Purchase:	_____
Dealer Information	
Dealer:	_____
Telephone Number:	_____
Address:	_____



Important Safety Instructions

Please read the following safety instructions before installing or cleaning your Diamond View monitor:

1. The AC adapter isolates this equipment from the AC supply.
2. Unplug this product from the wall outlet before cleaning. Do not use liquid or aerosol cleaners. Use a soft cloth to clean the monitor housing and sticky tape to remove dust and fingerprints from the screen panel.
3. Slots and openings on the back or top of the cabinet are provided for ventilation. They must not be blocked or covered. This product should never be placed near or over a radiator or other heat source, or in a built-in installation unless proper ventilation is provided.
4. This product should be operated from the type of power indicated on the marking label. If you are not sure of the type of power available, consult your dealer or local power company.
5. Never push objects of any kind, or spill liquid of any kind into this product.
6. Do not attempt to service this product yourself, as opening or removing covers may expose you to dangerous voltages or other risks. If any problems or accidents (dropping, incorrect operation) occur, contact a qualified service agent for servicing.

Features

Your Diamond View DV190 Monitor has the following features:

- ◆ **High Resolution, 1280 x 1024 Pixel LCD Panel**
- ◆ **Super Slim Bezel Border Design**
- ◆ **High Brightness, Contrast Ratio and Super Wide Viewing Angle**
250 cd/m² brightness, 700:1 contrast ratio and $\pm 85/\pm 85$ (H/V) viewing angle.
- ◆ **Dual Input Supported**
Supports both analogue (D-sub) and digital (DVI-D) input.
- ◆ **Plug and Play Compatibility**
With Microsoft® Windows® 95, 98, 2000, Millenium Edition and XP.
- ◆ **Space Saving - only 193 mm deep including the stand**
- ◆ **Light Weight - only 8.5 kg**
- ◆ **Lower Power Consumption - 40 W maximum.**
- ◆ **Power Saving**
Power management complies with VESA DPMS standard. When the system is idle (in power saving mode), the monitor automatically cuts its power consumption to less than 1 W.
- ◆ **On Screen Display**
Allows you to adjust all settings simply using on-screen menus.
- ◆ **True Colour Display**
With dithering support, the Diamond View DV190 monitor enhances visual effects and offers you better image quality.
- ◆ **Auto Adjustment Function**
The auto adjustment key automatically optimises the displayed image.
- ◆ **Removable Stand with VESA Standard Mounting**

Unpacking the Monitor

Please check that the following items are included with your monitor. If they are missing or damaged, please contact your place of purchase immediately.

- ◆ **LCD monitor**
- ◆ **User's manual**
- ◆ **VGA cable**
- ◆ **DVI-D cable**
- ◆ **Power adapter**
- ◆ **Power cord**
- ◆ **Utilities and Driver Floppy Diskette**

Locate the model name and the serial number label on the back of your monitor and write the details of the monitor and your place of purchase in the space on page (ii) of this manual for future reference.

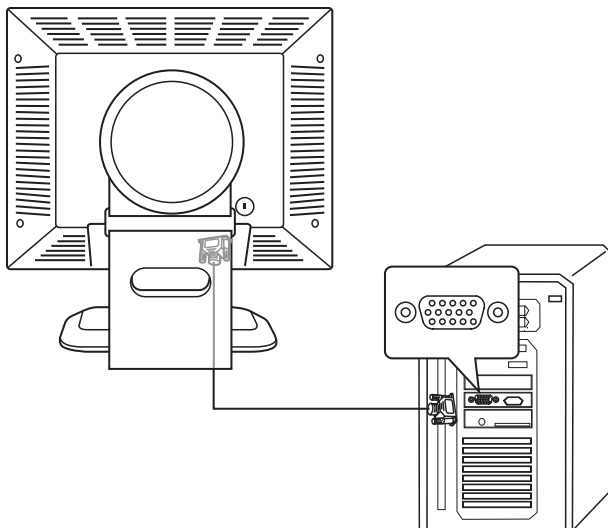
4 Hardware Installation

Your monitor is equipped with an automatic power supply with a voltage range from 100 to 240 Volts AC at a frequency of 50 to 60 Hz. Make sure that your local power supply is within the supported range. If you are unsure, please contact your electricity supplier.

To install your Diamond View DV190 monitor:

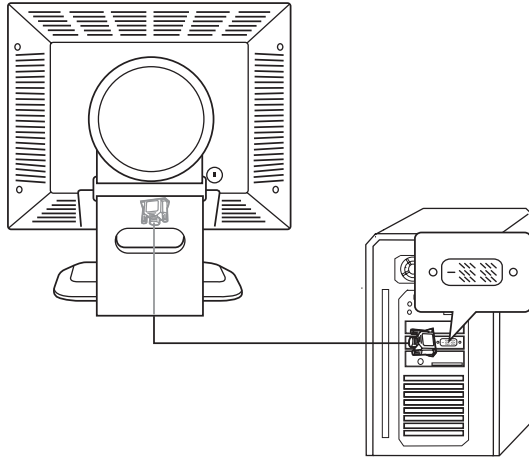
VGA Cable Installation

1. Make sure that the power to the computer and to the monitor are both turned off.
2. Connect one end of the monitor's VGA cable to the analog VGA connector (15-pin socket) of the computer's conventional graphics card.
3. Connect the other end of the monitor's VGA cable to the VGA connector (15-pin socket) in the rear of the monitor.



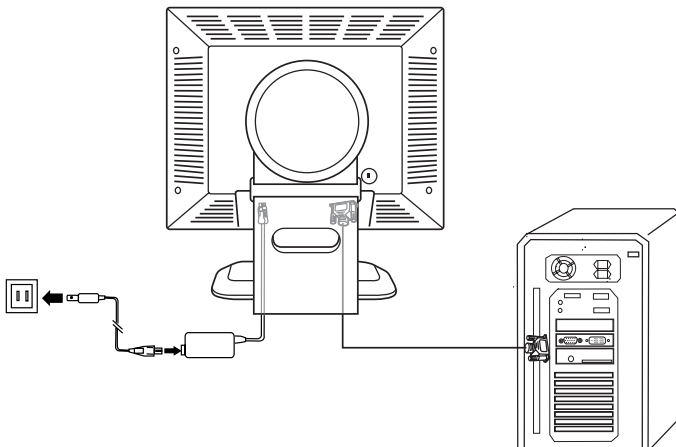
DVI-D Cable Installation(Optional)

1. Make sure that the power to the computer and to the monitor are both turned off.
2. Connect one end of the monitor's DVI-D cable to the digital DVI-D connector (24-pin socket) of the computer's graphics card.
3. Connect the other end of the monitor's DVI-D cable to the DVI-D connector (24-pin socket) in the rear of the monitor.



Power Cable Installation

Connect one end of the power cord to the rear of the monitor, and the other end to the wall outlet (as shown).



5 Windows Software Installation

To get best performance with Windows 95, 98, Millenium Edition, 2000 or XP you should set the PC to use the driver supplied with your DV190 monitor.

Windows 95

The first time you start Windows after connecting your new monitor, the system will detect it and automatically install the driver for Plug and Play displays. To install the Diamond View DV190 driver and colour profile:

1. Insert the *Diamond View LCD Monitor Utilities* floppy disk into your floppy disk drive.
2. Right-click on the Windows desktop and select **Properties** or open the Control Panel and double-click **Display**.
3. From the **Display Properties** window, select the **Settings** tab and then click the **Advanced Properties** button at the bottom, right corner.
4. Select the **Monitor** tab and then click the **Change** button.
5. Click the **Have Disk** button at the bottom right corner. The **Install From Disk** window will appear with the floppy drive **A:** selected. Click **OK**.
6. Select **DV190** from the list and click **OK** again to install the driver.
7. You will be returned to the **Advanced Graphics Properties** dialogue box. Close this window by clicking **OK** and confirm the subsequent messages by clicking **Yes**. Click **OK** and then **Yes** once more.
8. The installation is now complete, click **OK** to close **Display Properties**.

Windows 98

The first time you start Windows with a new monitor; the system will detect it and automatically start the **Add New Hardware** wizard.

1. Click the Next button. **Select Search for the best driver for your device (recommended)** and click **Next**.
2. Insert the *Diamond View LCD Monitor Utilities* floppy disk into your floppy disk drive. Select the **Floppy disk drive** check box and click **Next**.
3. Click **Next** again and then click **Continue**. The driver and monitor colour profile will be installed. Click **Finish** to complete the installation.

Windows Millennium Edition (Windows ME)

The first time you start Windows with a new monitor; the system will detect it and automatically start the **Add New Hardware** wizard.

1. Insert the *Diamond View LCD Monitor Utilities* floppy disk into your floppy disk drive. Select the **Floppy disk drive** check box and click **Next**.
2. **Select Search for the best driver for your device (recommended)**, tick the **Removable Media (Floppy, CD-ROM...)** and click **Next**.
3. Click **Next** again and then **Finish** to complete the installation.

Windows 2000

The first time you start Windows with the new monitor; the system will detect it and automatically load the native Plug & Play driver. To install the driver from the Utilities floppy disk, please do the following:

1. Click on the **Start** button, go to **Settings** and select **Control Panel**.
2. Double click on **Display**, then click on the **Settings** tab at the top of the window that appears and select the **Advanced** button.
3. Click on the **Monitor** tab, and select **Properties**.
4. Click on the **Driver** tab at the top of the window, then select **Update Driver**.
5. Click **Next**, then select **“Display a list of the known drivers, so that I can choose a specific driver”** and click **Next**.
6. Select **Have Disk...**, then use **Browse**, navigate to the floppy drive, highlight the **MEA DV190** driver and click **Open** and **OK**.
7. Highlight the monitor driver in the **Models** list and click **Next**. If a windows appears stating that **“the digital signature was not found”**, click on **Yes**.
8. Click **Finish** to complete the driver installation.

Windows XP

The first time you start Windows with the new monitor; the system will detect it and automatically load the native Plug & Play driver. To install the driver from the Utilities floppy disk, please do the following:

1. Click on the **Start** button, go to **Settings** and select **Control Panel**. If needed, select **Switch to Classic view** from the left-hand side of the Control Panel window.
2. Double click on **Display**, then click on the **Settings** tab at the top of the window that appears and select the **Advanced** button.
3. Click on the **Driver** tab at the top of the window, then select **Update Driver**.
4. Select **“Install from a list or specific location”** and click **Next**.
5. Select **“Don’t search, I will choose the driver to install.”** And click **Next**.
6. Select **Have Disk...**, then use **Browse**, navigate to the floppy drive, highlight the **MEA DV190** driver and click **Open** and **OK**.
7. Highlight the monitor driver in the **Models** list and click **Next**. If a **Windows Logo testing** window appears, click on **Continue Anyway**.
8. Click **Finish** to complete the driver installation.

6 Setting the Display Resolution

Choosing The Best Resolution

All Liquid Crystal Displays (LCDs) have a fixed resolution that is the same as the maximum resolution that may be displayed on the LCD. In the case of the DV190 the LCD resolution is 1280 x 1024 pixels. This is also known as the “native” resolution of the monitor. Lower resolutions can be displayed at full screen through an interpolation circuit. Because the lower resolution must be expanded, the quality of the displayed image is not as good as that available when the native resolution is displayed. For optimal performance from any LCD monitor, you must use the monitor’s native resolution.

If you are using Windows 95, 98, 2000, Me, XP or NT 4.0, you can change the resolution as follows:

1. Double-click the **Display** icon in the control panel.
2. From the **Display Properties** dialogue box, select the **Settings** tab. There is a slider on the right-hand side in the middle of the dialogue box that alters the displayed resolution. Set the resolution to 1280 x 1024.
3. *For Windows NT users only:* select a refresh rate of either 60Hz or 75 Hz and click **Test**. A test pattern will be displayed. Make sure that there are no error messages shown by the monitor. If an error message is displayed, check the resolution and refresh rate settings or choose a different refresh rate.
4. Click **OK** to close **Display Properties**.

If you are using an Apple Macintosh, change the resolution by doing the following:

MacOS 8.x/9.x

1. Click the Apple icon at the top, left corner of the screen, select **Control Panel** and then select **Monitors**.
2. Select a resolution of 1280 x 1024 pixels with between 60Hz and 75Hz refresh rate.
3. If refresh rates of 60Hz or 75Hz are not available, click **Recommended** in the **Show** drop-down box and change it to **All**. Select the resolution and refresh rate as above.

4. A colour depth of either **Thousands** or **Millions** is recommended.

MacOS X

1. Click the Apple icon at the top, left corner of the screen, select **System Preferences** and then select **Displays**.
2. Select a resolution of 1280 x 1024 pixels with between 60Hz and 75Hz refresh rate.
3. A colour depth of either **Thousands** or **Millions** is recommended.

Supported Graphics Modes and Refresh Rates

There is no need to choose the highest possible refresh rate when using an LCD monitor. It is not technically possible for an LCD monitor to flicker. Even at a refresh rate of 60 Hz you will get an absolutely flicker-free image.

For best results, it is important that you set the graphics adaptor to use one of the monitor's preset display modes shown in **Table 1** on the next page. Other graphics signals may be displayed poorly or not at all. Note that the DV190's preset modes correspond to VESA standard graphics signals for these resolutions. All recent models of graphics adaptor should be able to support these modes. For the native resolution of 1280 x 1024 pixels, for example, refresh rates of 60, 70 and 75 Hertz are supported.

With Windows 95, 98, 2000, Millenium Edition or XP you can change the refresh rate of the graphics signal as follows:

1. Double click the **Display** icon in the control panel.
2. From the **Display Properties** dialogue, select the **Settings** tab and click the **Advanced Properties** button.
3. For Windows 95, 98 and ME select the **Adapter** tab, for 2000 and XP select the **Monitor** tab. The refresh rate selection field is located in the centre, at the bottom of the dialogue box.
4. Choose a refresh rate that corresponds with one of the factory modes from the table below.
5. Click **Apply**, and then **OK** twice.

Please Note:

- Graphics modes that are not listed in the table may not be supported. For an optimal picture it is recommended that you choose a graphics mode with a resolution of 1280 x 1024pixels that is listed in **Table 1** on the next page. All 22 modes are compatible with Microsoft Windows. Resolutions of 640 x 480, 800 x 600, 1024 x 768 and 1280 x 1024 pixels are supported by most other operating systems, including the Apple Macintosh's Mac OS.
- The displayed image may show some distortion or noise. This can be caused by the signal from the VGA card if it does not correspond with the usual standard. This is not, however, a problem with the monitor. If it is still visible after using the Automatic adjustment, you can usually improve the displayed image by manually adjusting the phase, horizontal position and pixel frequency settings using the "Fine Tune " and "Position" menu. See Chapter 7, **Adjusting the Monitor**, for more details.
- When you shut Windows down you may see interference lines on your screen. This caused by the manner in which Windows controls the graphics card at this point and is normal with all LCD monitors.
- To extend the service life of the product, we recommend that you use your computer's power management functions to turn the monitor off after extended idle periods.

Input Signal (Multi-scan mode)

Resolution	Horizontal Frequency (kHz)	Vertical Frequency (Hz)	Pixel Frequency (MHz)	Comments
640x350	31.47(P)	70.08(N)	25.17	DOS
720x400	31.47(N)	70.08(P)	28.32	DOS
640x480	31.47(N)	60.00(N)	25.18	DOS
640x480	37.86(N)	72.80(N)	31.50	VESA
640x480	37.50(N)	75.00(N)	31.50	VESA
640x480	35.00(N)	66.67(N)	30.24	Macintosh
800x600	37.88(P)	60.32(P)	40.00	VESA
800x600	48.08(P)	72.19(P)	50.00	VESA
800x600	46.87(P)	75.00(P)	49.50	VESA
832x624	49.72(N)	74.55(N)	57.29	Macintosh
1024x768	48.36(N)	60.00(N)	65.00	VESA
1024x768	56.48(N)	70.10(N)	75.00	VESA

Continued on next page...

Table 1

Input Signal (Multi-scan mode)				
Resolution	Horizontal Frequency (kHz)	Vertical Frequency (Hz)	Pixel Frequency (MHz)	Comments
1024x768	60.02(P)	75.00(P)	78.75	VESA
1024x768	60.24 (N)	74.93 (N)	80.00	Macintosh
1152x864	67.50(P)	75.00(P)	108.00	VESA
1152x870	68.68(N)	75.06(N)	100.00	Macintosh
1152x900	61.80(N)	66.00(N)	94.50	Sun
1152x900	61.80(N)	76.14(N)	108.00	Sun
1280x1024	64.00(P)	60.00(P)	108.00	VESA
1280x1024	75.83(N)	71.53(N)	128.00	IBM
1280x1024	80.00(P)	75.00(P)	135.00	VESA
1280x1024	81.18(N)	76.16(N)	135.09	Sun

Table 1 (continued from previous page)

7 Adjusting the Monitor

Picture Optimisation

The easiest way to obtain an optimal picture is by using the **AUTO** button. This only works reliably if the graphics adaptor is set to use one of the monitor's factory modes (see **Table 1** in the previous chapter) and if you are displaying an appropriate full-screen test pattern.

Windows users should run the adjustment software (Auto.exe) from the Utilities floppy disk to display the correct test pattern. Press the Auto button once the test pattern is displayed. You can quit Auto.exe by clicking the left mouse button once and clicking on **Exit**.

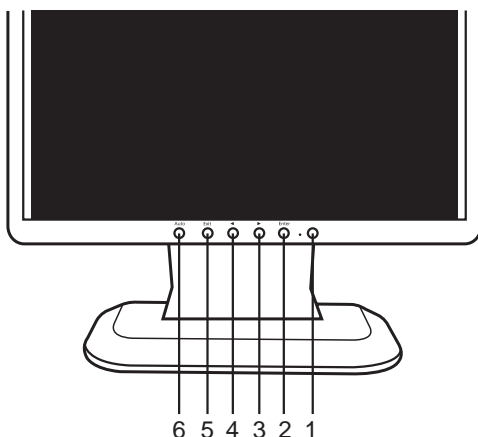
Test patterns in TIFF and JPEG file formats are also available from the File Downloads section of Mitsubishi Electric Australia's web site at **www.mitsubishi-electric.com.au**. Follow the link to the TFT LCD monitors page and download a pattern with the resolution that you need. Display the test pattern at its actual size (100% zoom), preferably at full screen and then press the monitor's Auto button.

If you are still not satisfied with the result, you can enhance the image by using the monitor's manual adjustment functions.

Manual Picture Adjustment

Adjustments to the displayed image are made using the On-Screen Display (OSD), controlled by 5 buttons on the front of the monitor.

The user's controls include Power, AUTO, Exit and Enter. < and > are used to select menu items and to change the values of image parameters.



- 1. Power on/ off:** Turn the monitor on or off.
- 2. Enter:** Enter sub-menus, select items, save changes.
Hot Key: Press and hold for 3 seconds, to select between “ Picture Mode” and “ Text Mode”. (Note*)
- 3. < >:** Use these buttons to select a menu item or make an adjustment when using the OSD.
Hot-Key: “>” acts as a hot key for Brightness, and “<” acts as a hot key for Contrast adjustment.
- 4. Exit:** Return to the main menu or exit the OSD menu with saving. Press the exit key when the OSD is not displayed to adjust the audio volume.
Hot Key: Press this hot key to do Input Select when both standard RGB and DVI inputs are plugged in.
- 5. Auto:** Automatically adjusts the vertical position, pixel phase, horizontal position and pixel clock.

Note*: **Picture Mode** is factory preset mode, which can extent to maximum brightness; and suitable for most picture screen usage environment. In some cases, user may feel screen too bright when doing document processing; press hot-key to turn monitor into **Text Mode** can easily turn screen darker, rather than tediously adjust OSD.

To manually adjust the image:

1. Display the adjustment test pattern. This is the best way to observe changes as you adjust the image. Windows users should run the Auto.exe test pattern program. For non-Windows operating systems, you also can use the test pattern described in the previous section or another full-screen image, such the desktop of the operating system.
2. Open the OSD menu by pressing the **Enter** button on the monitor.
3. Use **<** or **>** to select **Pixel Clock** and then press **Enter**.
4. Check the current setting. Use **<** or **>** to tune the sampling clock to get the optimum picture. Look at the centre section of the test pattern that has alternating black and white vertical lines that are each 1 pixel wide. There should be no vertical noise bands visible within the image. The centre section will clearly show the alternating black and white lines or a uniform level of noise will appear across the image. Close the clock submenu by pressing **Exit** to main menu.
5. Use **<** or **>** to select **H. Position** and press **Enter**.
6. Adjust the horizontal position so that the image is centered. Its width should be the same as the visible width of the screen. Press **Exit** to go back to the main menu.
7. If some noise or distortion is still visible in the centre section of the test pattern, use **<** or **>** to select **Phase** and press **Enter**.
8. Adjust the phase of the monitor's sampling clock by using **<** or **>** to optimise the displayed image. The alternating black and white lines should be clearly visible. Press **Exit** to main menu.

If you are still not satisfied with the result, try repeating the procedure using a graphics signal that has a different refresh rate.

Notes:

You must use one of the factory modes. If the **AUTO** button is not working, or the **NON PRESET MODE** message is shown on the OSD you are not using one of the supported modes. If you are having difficulties generating a supported mode, ask your computer dealer or the distributor or manufacturer of your graphics card for assistance.

The procedures described in this chapter should be performed for every resolution and type of graphics signal that you wish to use. For example, if a particular application requires a resolution of 800 x 600 pixels, but all other applications use the monitor's native resolution, you will need to display the test pattern and make adjustments.

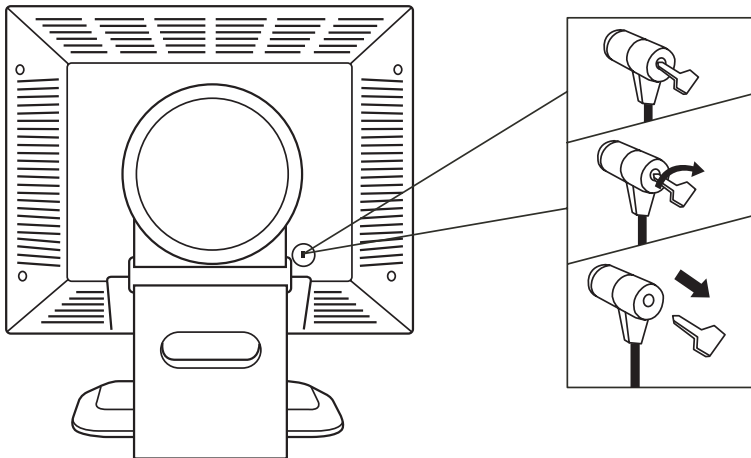
The monitor will remember your settings and use them whenever you turn the monitor on. Note that you may need to readjust the monitor if it is connected to a different computer or if the computer's graphics adaptor is replaced.

8 Security Lock Installation

The Diamond View DV190 can be secured to your desk or any other fixed object with a Kensington lock security product. The Kensington lock's cable can be attached to a slot located at the rear of the monitor.

1. Insert the lock in the slot located on the rear of the monitor.
2. Turn the key to lock the Security Lock.
3. Remove the key and store it in a safe place.

Note: Kensington locks are not available from Mitsubishi Electric Australia. Please contact your reseller for more information.



9 Frequently Asked Questions

The image is blurred, how can I get the best quality picture?

- Read chapter 6, *Setting the Display Resolution*, and then select a graphics signal with the correct resolution and refresh rate. Then read chapter 7, *Adjusting the Monitor*, and make adjustments to the displayed image based on these instructions.
- Have you used a VGA extension cable?
If so, remove the extension cable and check the displayed image. Is the image quality improved? Optimise the image using the procedures in chapter 7 with the extension cable removed. Reconnect the extension cable once the image has been optimised. Depending on the characteristics and type of the extension cable, some blurring or distortion may occur due to conduction losses of the extension cable. You can minimise these losses by using an extension cable with better conduction quality or with a built-in booster.
- Does the blurring only occur at resolutions lower than the native (maximum) resolution?
Please read chapter 6, *Setting the Display Resolution*. Select a graphics signal that uses the monitor's the native resolution (1280 x 1024 pixels).

Why does the image look yellow, blue or pink instead of showing the correct colours?

- The most common cause of this problem is a loose VGA signal cable or connector. Check that the cable is securely connected to the computer.
- Check the VGA signal cable for damage. If any pins are bent or broken off, contact your dealer or an authorised Mitsubishi Electric service agent (see Chapter 11 for details).
- Check the monitor's colour settings. Press the Enter button and use < or > to select the Color Settings menu. Select the Recall menu item and press Enter.

No image is displayed, what can I do?

- Check that the light (LED) next to the monitor's power button is lit and is green in colour. If the LED is green, press the "Exit" button on the monitor to access the On Screen Display. If the message "NON PRESET MODE" appears there, please read chapter 6, Setting the Display Resolution and reset the graphics card to one of the monitor's supported graphics signals.
- If the LED is orange the monitor is in power saving mode. Press a button on the computer keyboard or move the mouse to wake the computer. If that does not help, check that the VGA cable is securely plugged into the computer. Also check the pins of the VGA cable's connector. If any pins are bent or broken off, then contact your dealer (see Chapter 11 for details).
- If the LED is not lit at all, check that the monitor is plugged into the power supply mains socket and that the power switch is turned on. Check that the monitor's power switch is also turned on.

The image is or distorted, flashes or flickers:

- Check that the monitor's signal cable is securely connected to the computer.
- Read the chapters 6 and 7 of this manual, then select the correct resolution, refresh rate and make adjustments based on these instructions.

The image is displaced in one direction:

- Use the **Hor. Position** (horizontal position) adjustment in the **Position** menu of the monitor's OSD to reposition the image.
- Read the chapters 6 and 7 and then select the correct resolution, refresh rate and make adjustments based on these instructions.

IO Specifications

Model

Diamond View DV190

Display Characteristics

Display Type	19.0" active matrix Thin Film Transistor Liquid Crystal Display
Viewable Diagonal Area	48.26 cm / 19.0"
Native (Maximum) Resolution	1280 x 1024 pixels
Colours	16.7 million
Contrast Ratio / Brightness	700:1 / 250 cd/m ² (typical)
Response Time	25 ms (typical)
Viewing Angle (Left/Right, Up/Down)	±85°,±85° (typical)
Dot Pitch	0.294 mm

User Interface

Controls	Power button, 4 buttons to control On-Screen Display, Automatic image adjustment
On-Screen Display Functions	Auto Adjust, H./ V. Position, Phase, Pixel Clock, Brightness, Contrast, Colour, Language, Recall, OSD Time, Input Select, OSD, Info
Microprocessor Controlled Graphics Modes	22 factory modes: 3 DOS modes, 11 VESA modes

Input Signal

Line Frequency	31.5 – 81.2 kHz multi-frequency
Image Frequency (Refresh Rate)	56 - 76 Hz Within the parameters detailed in chapter 6
Video Signal	RGB analog and digital 0.7 Vpp/75 Ohm

Synchronisation	TTL separate, composite TTL
Signal Connection	15-pin mini D-sub cable 24- pin DVI-D cable

Physical Characteristics

Power Management	VESA DPMS, Energy Star
Maximum Power Consumption	40 Watts
Power Saving Mode	< 1 Watts
Operating Voltage	Automatic switched mode power supply, 100 - 264 V, 50 - 60Hz
Dimensions (W x H x D)	415.4 x 436.1 x 192.7 mm
Net Weight	8.5kg
Temperature (Operating)	5°C - 35 °C
Air Humidity (Operating)	20% - 85%

Regulatory Certification

Safety	AS/NZS 60950, CB
EMI/EMC	AS/NZS 3548 Class B (C-Tick), FCC Class B, CE Mark
Other	MPR-II



Service Contacts

If problems remain after checking this manual, please contact your place of purchase or contact

Australian Service Contacts

Visit the Mitsubishi Electric Australia web site at

www.mitsubishi-electric.com.au

For details of your nearest Mitsubishi Electric Authorised Service Centre or contact the Service Department for your state:

New South Wales and Australian Capital Territory

348 Victoria Road
Rydalmere, NSW, 2116

Telephone: 1300 651 808

Fax: (02) 9684-7684

Queensland

1 / 104 Newmarket Road
Windsor, Qld, 4030

Telephone: (07) 3357-8877

Fax: (07) 3357-8488

South Australia and Northern Territory

77 Port Road
Hindmarsh, SA, 5007

Telephone: (08) 8340-0444

Fax: (08) 8340-0555

Victoria and Tasmania

4 / 303 Burwood Hwy
East Burwood, Vic, 3151

Telephone: (03) 9262-9899

Fax: (03) 9262-9850

Western Australia

5 / 329 Collier Road
Bassendean, WA, 6054

Telephone: (08) 9377-3411

Fax: (08) 9377-3499

New Zealand Service Contacts

Contact:

BDT Ltd.
1 Parliament St.
Lower Hutt
Wellington

Telephone: (04) 560-9100

Fax: (04) 560-9140

Web site: **www.bdt.co.nz**

Free Manuals Download Website

<http://myh66.com>

<http://usermanuals.us>

<http://www.somanuals.com>

<http://www.4manuals.cc>

<http://www.manual-lib.com>

<http://www.404manual.com>

<http://www.luxmanual.com>

<http://aubethermostatmanual.com>

Golf course search by state

<http://golfingnear.com>

Email search by domain

<http://emailbydomain.com>

Auto manuals search

<http://auto.somanuals.com>

TV manuals search

<http://tv.somanuals.com>