



Item No. TC-370 DIGITAL CAMERA / CAMCORDER ULTRA FAST RAPID WORLD TRAVEL CHARGER

Thank you for purchasing our *DigiPower* Lithium-Ion Ultra Fast Rapid Charger. This unique charger now makes it convenient for you charge your batteries with almost any AC power source in the World without having to add country specific pass through adapters.

The Travel Charger comes equipped with a patented, integrated World AC plug that allows you to use your Charger around the world in: England, Europe, North America, South America, China, Asia, Australia, and New Zealand.

Charging Instructions:

A. For Charging Battery Types:

NP-20 or BP-NP20
NP-40 or BP-NP40
NP-60 or BP-NP60
NP-200 or BP-NP200

- 1 The TC-370 Charger is equipped with a battery adaptor plate.
- 2 This adaptor plate has two sides. Each side is labeled with battery types to be used. Side 1 is for NP-40, NP-60 and NP-200 battery types. Side 2 is for NP-20 battery type. No plate is needed for NP-120 battery type.
- 3 The plate can be removed from the charger unit, and inserted with either side facing out, depending on the type of battery you are charging.
- 4 Remove the plate by pushing it out with your thumb or finger just above the LED.
- 5 When charging any of the batteries listed above (NP-20, NP-40, NP-60 or NP-200) you must face the side of the adaptor plate labeled with your battery type out and the arrow pointing up toward the LED.
- 6 You must insert the adaptor plate by placing it almost all the way in and then clicking it into place along the grooves. Then push the plate the rest of the way in so it locks into place.

7. DO NOT slide the plate all of the way in the charger without first clicking it into the grooves as it will not be set properly and your battery will not charge.
8. Once you have inserted the plate correctly, you may insert your battery for charging. Make sure to face the battery out and have the contacts facing in towards the contacts on the charger.
9. Plug the charger in.
RED LED = unit is charging battery
ORANGE LED = trickle charge (battery is 80% full)
GREEN LED = battery is fully charged
Allow 2 hours for full charge.

B. For Charging Battery Type:

NP-120 or BP-NP120

1. Remove adaptor plate from charger.
2. Place NP-120 battery in charger with face up and contacts facing the contacts in the charger.
3. Plug the charger in.
RED LED = unit is charging battery
ORANGE LED = trickle charge (battery is 80% full)
GREEN LED = battery is fully charged
Allow 2 hours for full charge.

Instructions for Adjusting the Multi-Country Plugs:

A. North America

1. Locate the black button / latch at the base of the charger where the North American / Australian Plugs are embedded.
2. Release the North American / Australian plug by pressing down on the button / latch. Continue to push the North American Plug upward until it is in a 90 degree position (Figure A).

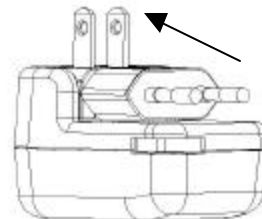


Figure A

3. You may now place your Lithium-Ion battery in the charger. Insert the plug into a wall outlet and begin charging your battery.

B. Australia/New Zealand

1. Locate the black button / latch at the base of the charger where the North American / Australian Plug is embedded.
2. Release the North American / Australian plug by pressing down on the button / latch. Continue to push the North American Plug upward until it is in a 90 degree position (Figure A).
3. Twist the North American / Australian Plug on the left side clockwise direction until it is in a 45 degree angled position. Twist the North American Plug on the right side in a counter clockwise direction until it is in a 45 degree angled position (**Figure B**).

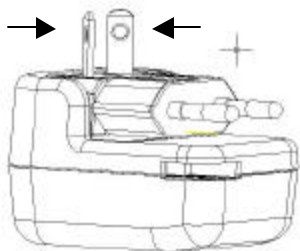


Figure B

4. You may now place your Lithium-Ion battery in the charger. Insert the plug into a wall outlet and begin charging your battery.

4. You may now place your Lithium-Ion battery into the open slots provided on the side opposite of the plugs. Insert the plug into a wall outlet and begin charging your batteries.

NOTE: When you have finished charging your battery, replace the UK Key to its proper position on the front of the charger.

D. Europe / Asia

1. Locate the Euro Plug on the same side as the North American / Australian Plug. Grasp the end of the Euro Plug and pull it up until it is in a 90 degree angled position (Figure D).

CAUTION: For safe and proper use make sure that the North American Plug locks into a closed position



Figure D

2. You may now place your Lithium-Ion battery in the charger. Insert the plug into a wall outlet and begin charging your battery.

C. United Kingdom

1. Locate the Euro Plug on the same side as the North American Plug. Grasp the end of the Euro Plug and pull it up until it is in a 90 degree angled position.
CAUTION: For safe and proper use make sure that the North American Plug locks into a closed position (Figure C).
2. Pull out the **UK Key** from its position on the front of the charger.
3. First insert the UK Key into the ground socket of the wall outlet. This action will open the two top power sockets. Now insert the Euro Plug into the power sockets on the wall outlet.

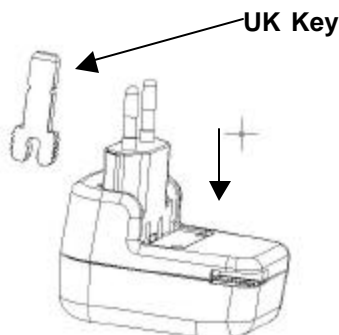


Figure C

ONE YEAR WARRANTY:

Mizco International, Inc. warrants this product to be free from defects in materials and workmanship to the original purchaser for a period of One Year from the original purchase date. Mizco's responsibility with regard to this limited warranty shall be limited solely to the repair or replacement, at its own option, of any product which fails during normal use. This warranty does not extend to damage or failure, which results from misuse, neglect, accident, alteration, abuse, improper installation, or improper maintenance. To exercise this limited warranty, send your name and address with proof of purchase and the UPC from the package. Product sent for warranty must be mailed to the address below, freight prepaid. Include \$5.00 for return shipping and handling.

DigiPower
140 58th Street
Building B, Unit 4G
Brooklyn, NY 11220

www.digi-power.com
e-mail: digipowersolutions@mizco.com

MADE IN CHINA

Free Manuals Download Website

<http://myh66.com>

<http://usermanuals.us>

<http://www.somanuals.com>

<http://www.4manuals.cc>

<http://www.manual-lib.com>

<http://www.404manual.com>

<http://www.luxmanual.com>

<http://aubethermostatmanual.com>

Golf course search by state

<http://golfingnear.com>

Email search by domain

<http://emailbydomain.com>

Auto manuals search

<http://auto.somanuals.com>

TV manuals search

<http://tv.somanuals.com>