

MULTI-DIRECTIONAL GRILLE ORIENTATION FOR USE WITH 610070000/6100790000 WH SERIES HEATERS

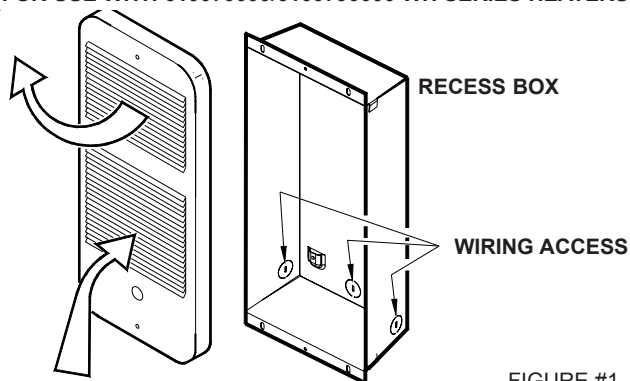
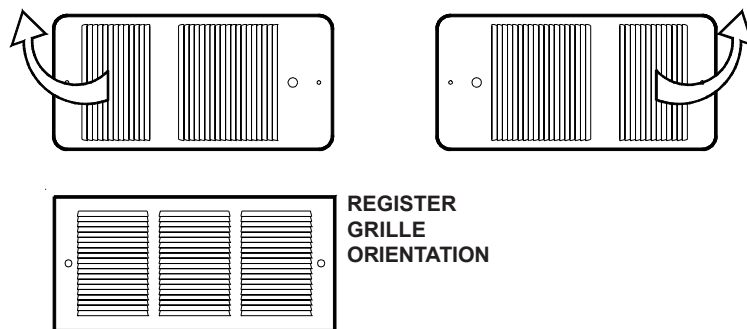


FIGURE #1

ALTERNATE MULTI-DIRECTIONAL GRILLE ORIENTATION



NOTE: MAINTAIN A MINIMUM CLEARANCE OF 8" FROM ADJACENT WALLS, FLOORS AND CEILINGS ON ALL FOUR SIDES OF THE GRILLE

INSTALLATION INSTRUCTIONS

Congratulations on purchasing a small wall heater from Dimplex North America. Your heater is manufactured using the highest quality materials and workmanship and will provide many years of trouble free service. This heater is designed for permanent installation only, care should be taken to install according to the following instructions. All required clearances should be maintained, in addition all electrical wiring and connections should comply with local electrical codes.

Note : It is extremely important to read all information labels. Care must be taken to ensure that the heater is rated the same voltage as the electrical supply wires. Failure to do so could result in unsafe heater operation as well as damage to the unit. If replacing an existing heater, check the labels of the old heater to ensure the voltage of the new heater is compatible.

All units should be controlled by means of a regulating thermostat, certain models only are provided with built in thermostats, check the **Model Key Information** section for verification. Wall thermostats should comply with the voltage and wattage of all heaters on the circuit. Built in thermostats are not suitable for Register Grille Models.

All installations require the following components

- 1) Recess Mount Box (Model 6100831000)
- 2) Heater Assembly (See nameplate Label)
- 3) Grille (Either Multi- Directional Style or Register Style)

An optional Surface mount box is available for installations that are not recessed in wall cavity.

STEP 1 – Placement

All units are designed for placement in either interior or exterior walls. Care should be taken to provide a minimum of 8" clearance from floors, ceilings and adjacent walls. Once installed, the airflow through the heater should not be blocked in any way. Maintain 3ft clearance of objects from the front of unit. Maintain a spacing of 3ft between heaters in order to prevent re-circulation of heated air. Insulation surrounding the back and sides of the recess mount box will not affect performance. Ensure insulation is rated for temperatures up to 85°C.

Note: Certain flooring and wall covering materials (particularly those incorporating clear vinyl materials tend to distort at temperatures in the vicinity of 60 C (140 F). Material shall be checked prior to installation to determine if discoloration will occur. Units are not approved for placement in floors or ceilings. Do not install in any area where combustible vapors, gases, dusts or liquids are present. Fire or explosion may occur.

STEP 2 – Mounting The Recess Box

Determine the desired orientation of unit. Provide an opening in wall 14 1/4" x 7 5/8" x 3 3/8" deep minimum. Care should be taken to install the recess box in the correct orientation to accommodate grille. **Note the position of the electrical entry knockouts and orient recess box according to Figure # 1.** Ensure all required clearances are met.

Ensure recess box flanges are flush with the finished wall surface. For new construction, the sides of the recess box are marked with guidelines to allow for 1/2" and 5/8" drywall thickness if drywall is to be added at a later date. Secure recess box to studs with screws using holes provided on sides or flange of recess box. Remove appropriate electrical knockout and secure supply wire using an approved strain relief connector leaving 6" of wire leads in the recess box.

STEP 3 - Mounting the Heater Assembly

Insert the heater assembly into the recess box ensuring that the tab on the heater assembly slides into the slot in the recess box. Ensure the heater assembly is fully seated and secure to the recess box using the captive screw provided.

STEP 4 –Electrical Connections

Route supply wires from circuit breaker through wall thermostat to heater. For models with built in thermostat route from circuit breaker to heater. Supply wire must be of **two wire plus ground** variety, with a rating capable of handling all heaters on the circuit. Supply wire should be rated for a minimum of 60C. Make electrical connection according to relevant diagrams shown on Figure # 2. Make connections using approved wire nut connectors and secure the grounding wire to the green ground screw on the heater chassis. On models with Register Style Front Grilles only, a terminal box cover plate is provided. Insert the tabs of the cover plate into the slots and secure the other side of plate with the screws provided.

STEP 5 – Secure the Front Panel

If your unit has a built in thermostat remove the plug on the front panel. Fasten the Front Grill using the screws provided. It is important to note that the front grill is oriented in the required positions shown in Figure # 1 and on the Multi – Directional grille, the larger louvered portion is placed over the fan blade portion of the heater. For units with built in thermostat push knob onto thermostat shaft through plug hole.

Operation And Maintenance

For units with built in thermostats, rotate the thermostat knob fully clockwise. Heater should activate. When the room reaches the desired temperature, slowly rotate the knob counterclockwise until unit shuts off. The heater will automatically cycle around this preset temperature setting. All units contain an Automatic Reset High Temperature Cutout, which will shut the heater off in the event of abnormally high operating temperatures. In addition a Red Warning Light will activate providing a visual warning. If this condition exists, disconnect all power to the unit and call a licensed electrician for service. Do not use heater until the problem is determined and corrected. **ENSURE POWER TO THE UNIT IS DISCONNECTED PRIOR TO SERVICING OR PERFORMING CLEANING**



WARNING - Hazard of severe shock.



CAUTION- Disconnect all power coming to heater at main service panel before wiring or servicing.

MODEL KEY INFORMATION

RWH REG 10 11 B T C W

CODE	SERIES
WH	WALL HEATER
RWH	RETAIL WALL HEATER
DWH	DOUBLE ELEMENT

REGISTER GRILL STYLE
BLANK INDICATES MULTI-DIRECTIONAL STYLE

CODE	WATTAGE
05	500
07	750
10	1000
15	1500
20	2000

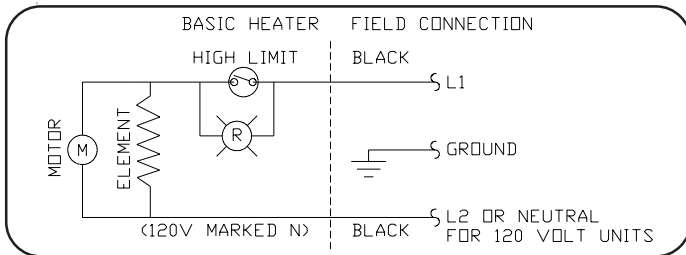
CODE	VOLTAGE
11	120
21	208
31*	240/208

BUILT-IN THERMOSTAT INCLUDED

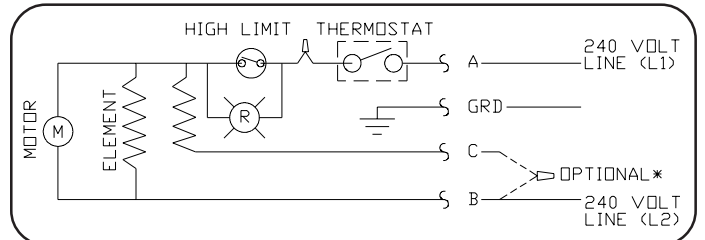
GRILL COLOR W = WHITE
BLANK INDICATES ALMOND

*NOTE: ALL UNITS RATED FOR 240/208 VOLTS.
PROVIDE 75% WATTAGE OF 240V RATING WHEN
CONNECTED TO 208 VOLTS.

RWH & WH MODELS WIRING DIAGRAM



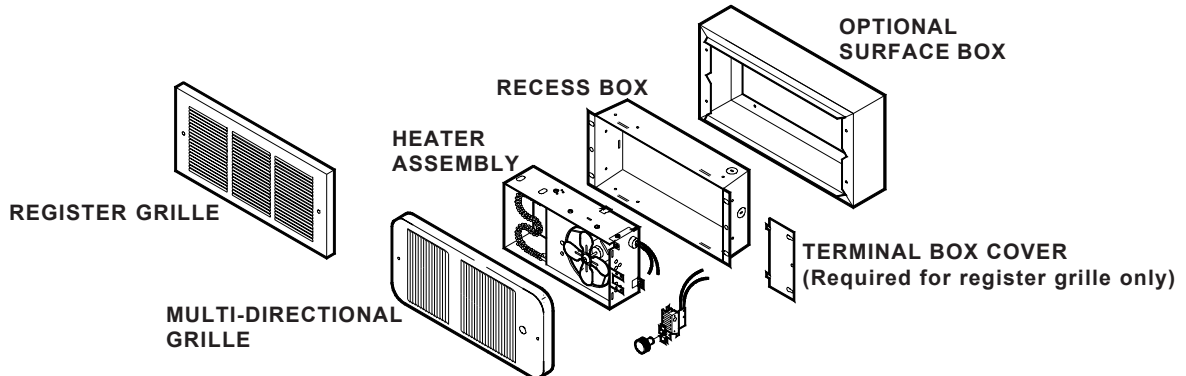
DWH MODELS (DOUBLE ELEMENT) WIRING DIAGRAM



*NOTE: For reduced heat output do not connect wire C to 240 volt line (L2).
Wire C must be capped off using a wire nut supplied by the customer when not used.

Cat. No.	Volts	Wattage	Connections
DWH2010 or DWHREG2010	240	2000W	L1-A, L2-B & C
		1000W	L1-A, L2-B ONLY*
DWH1507 or DWHREG1507	240	1500W	L1-A, L2-B & C
		750W	L1-A, L2-B ONLY*

* - Disconnect and cap off wire "C" using wire nuts supplied by customer.



REPLACEMENT PARTS

Grilles

Multi - Directional Grille - Almond
Multi - Directional Grille - White
Register Grille - Almond
Register Grille - White

Motors

120 volt models 2000060003
240/ 208v models 2000060001

Fan Blade

00010026

High Limit Cutout

00009201

Recess Mount Box

WHWC

ACCESSORIES

WHAT1A_ Single Pole Thermostat Kit WHASBA Surface Mount Box - Almond

WHAT2A_ Double Pole Thermostat Kit WHASBW Surface Mount Box - White

Part

REPLACEMENT PARTS

Elements (Single Element Style)

120V 500W 2200110001
120V 750W 2200110002
120V 1000W 2200110003
120V 1500W 2200110004
500/375W 2200110007
240/208V 750/500W 2200110008
240/208V 1000/750W 2200110009
240/208V 1500/1125W 2200110010
240/208V 2000/1500W 2200110011

Elements (Double Element Style)

240/208V 2000/1500W 2200120009
240/208V 1000/750W 2200120008

In keeping with our policy of continuous product improvement, we reserve the right to make

Dimplex

North America Limited
1-800-668-6663



Printed in Canada

7204220100 REV.06

Free Manuals Download Website

<http://myh66.com>

<http://usermanuals.us>

<http://www.somanuals.com>

<http://www.4manuals.cc>

<http://www.manual-lib.com>

<http://www.404manual.com>

<http://www.luxmanual.com>

<http://aubethermostatmanual.com>

Golf course search by state

<http://golfingnear.com>

Email search by domain

<http://emailbydomain.com>

Auto manuals search

<http://auto.somanuals.com>

TV manuals search

<http://tv.somanuals.com>