

PARTS AND SERVICE MANUAL

FOR THE ELECTRIC PATIO STOVE

Model EOS2006

Dimplex[®]

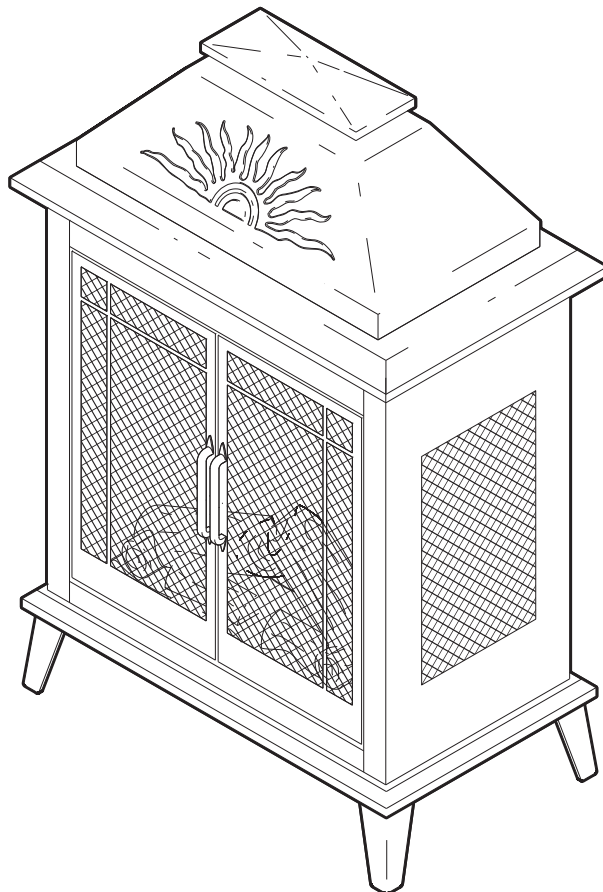


TABLE OF CONTENTS

OPERATION	PAGE 2
PARTS DRAWING	PAGE 4
PARTS LIST	PAGE 5
WIRING DIAGRAM	PAGE 6
LIGHT BULB REPLACEMENT	PAGE 7
FLAME ROD AND MOTOR REPLACEMENT	PAGE 8
CIRCUIT BOARD REPLACEMENT	PAGE 9
SWITCH REPLACEMENT	PAGE 10
POWER CORD REPLACEMENT	PAGE 11

OPERATION

To access the controls go to the back of the Stove.

A. MAIN ON/OFF SWITCH

The on/off switch supplies power to all unit functions (flame/towel warmer)

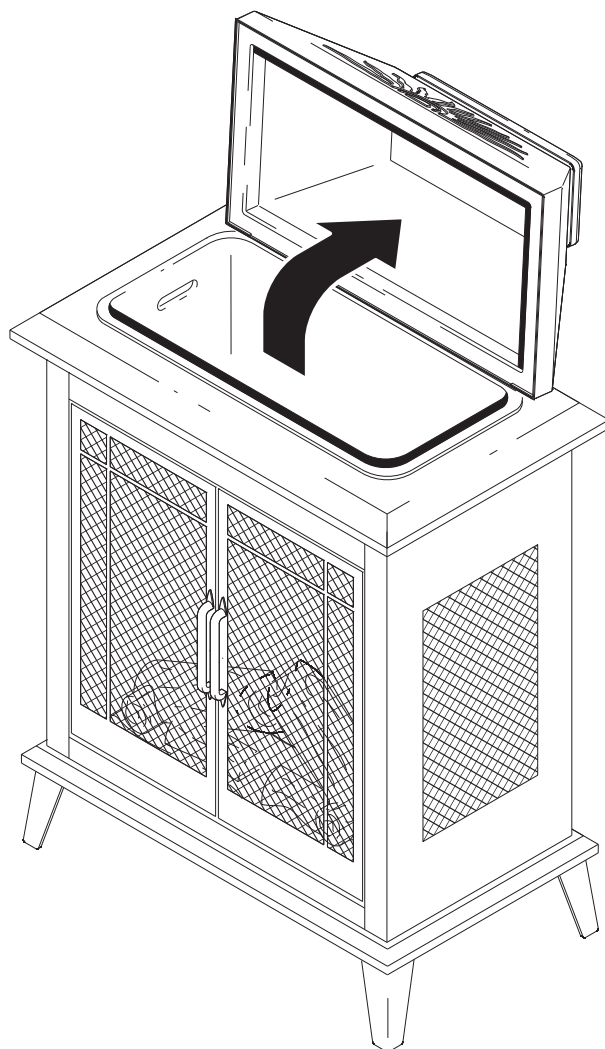
B. TOWEL WARMER ON/OFF SWITCH

The towel warmer on/off switch supplies power to the towel warmer. The main on/off switch must be on to activate towel warmer switch.

NOTE: When the Towel Warmer is switched ON, the warmer will operate. **The warmer will not operate if the cooler insert is still in place within the unit.**

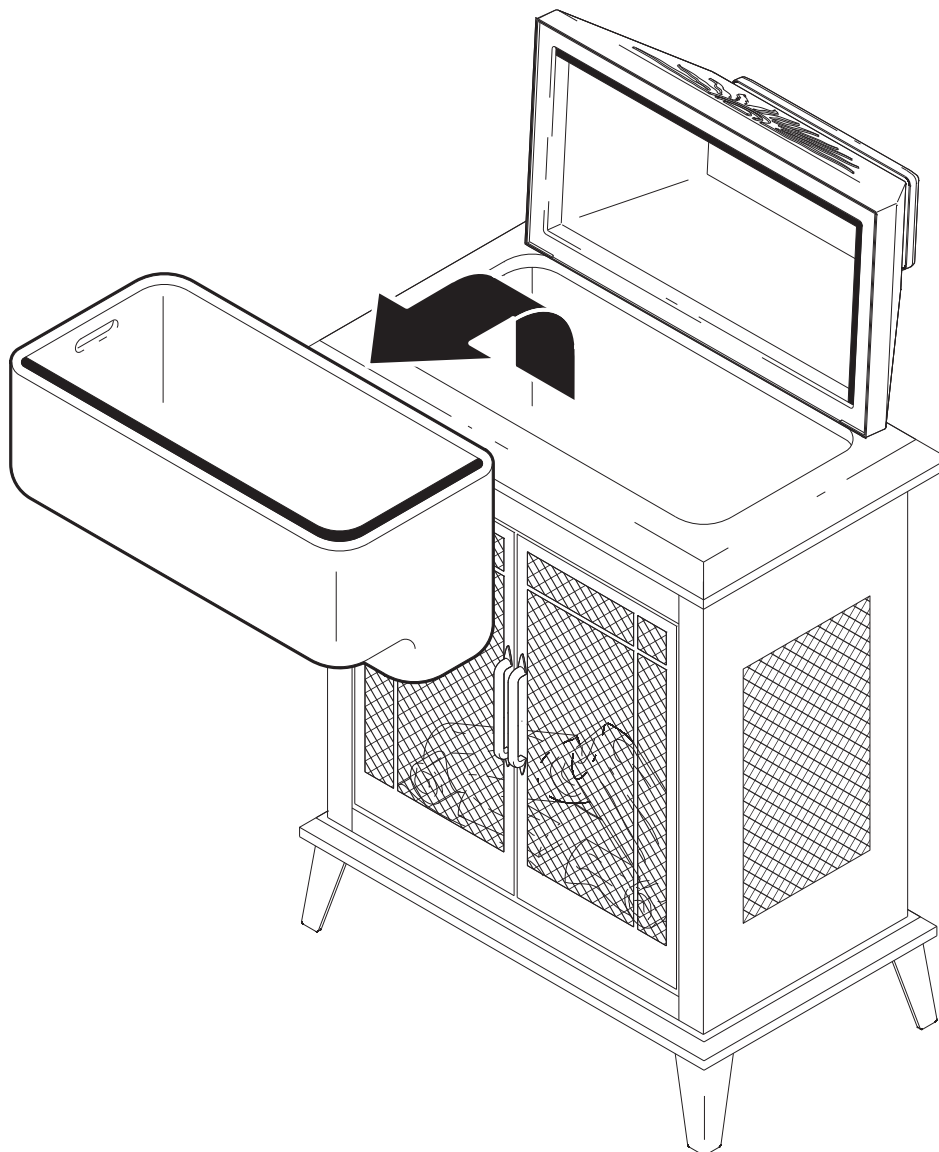
BEVERAGE COOLER

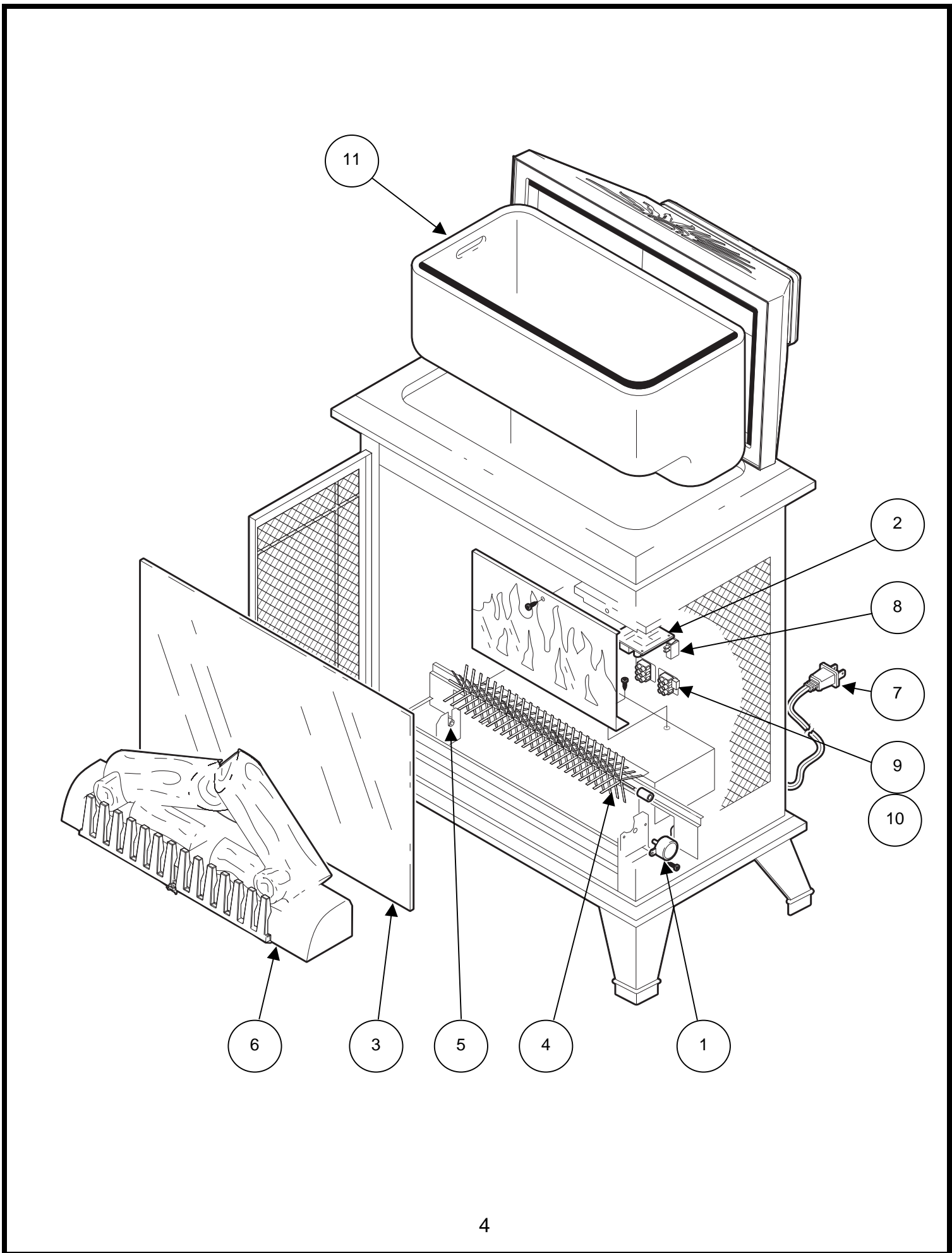
This stove has a convenient hidden beverage cooler located under the flip top lid. To use the cooler ensure that cooler is inserted. Ice may be used. Place beverages in cooler insert and surround with ice.



TOWEL WARMER

This unit has a convenient towel warmer built in. To operate the towel warmer remove cooler insert, activate towel warmer switch (fig.2), and place dry towels in towel warmer compartment. **THIS IS NOT A TOWEL DRYER, DO NOT PLACE DAMP OR WET TOWELS IN COMPARTMENT**





EOS2006

REPLACEMENT PARTS

OUTDOOR ELECTRIC STOVE

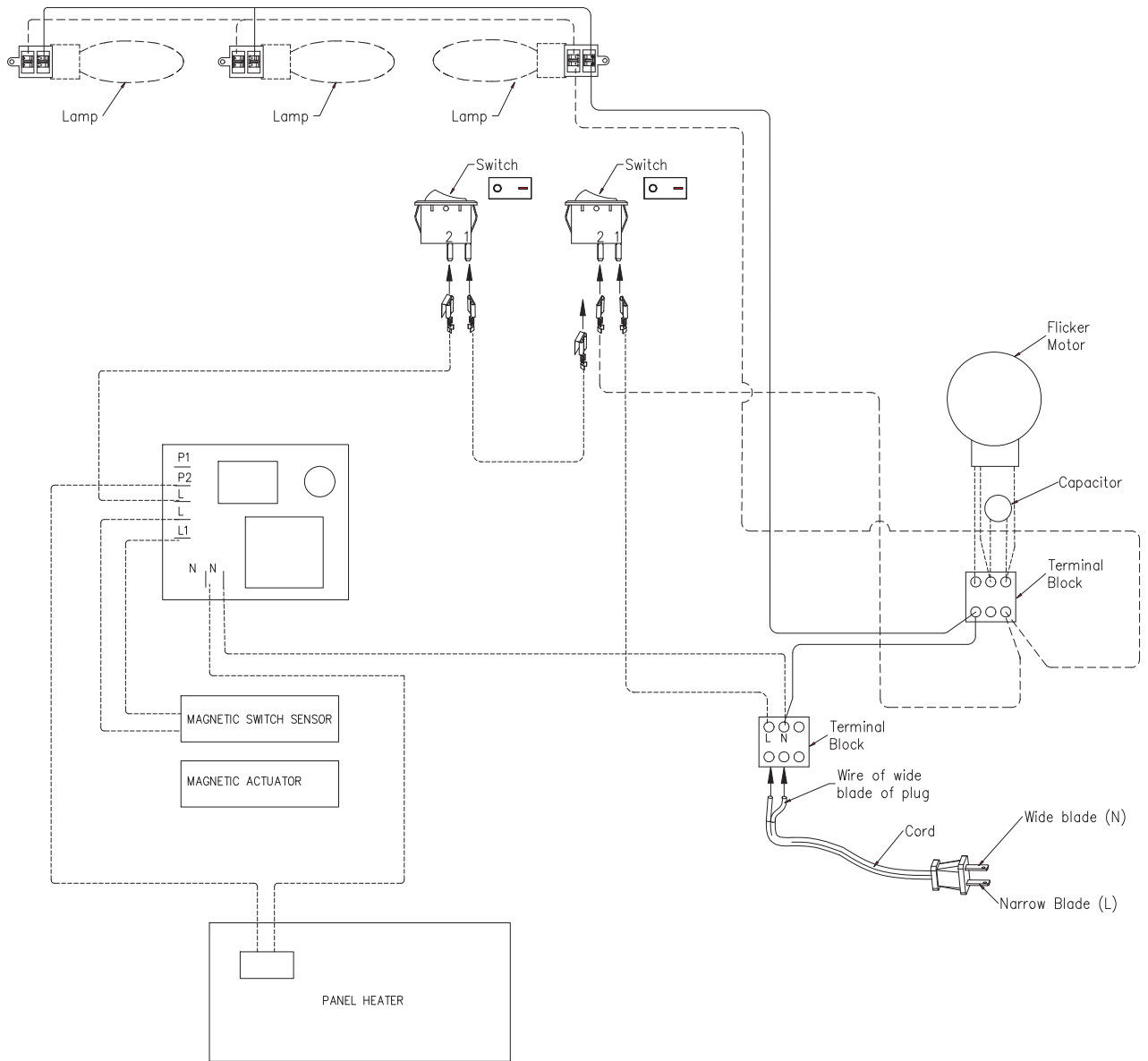
CATALOGUE NO.
PART NO.

EOS2006
6903510159

REPLACEMENT PART

1. MOTOR, ASSEMBLY	2000220100RP
2. CIRCUIT BOARD	3000570100RP
3. MIRROR	5900820100RP
4. FLAME ROD	5900340100RP
5. BUSHING	8500000400RP
6. LOGSET	0438270100RP
7. POWER CORD	4100170200RP
8. SWITCH, SPLASHPROOF	2800130200RP
9. TERMINAL BLOCK	4000070100RP
10. CAPACITOR	3200030100RP
11. COOLER ASSEMBLY	0478060100RP

WIRING DIAGRAM



LIGHT BULB REPLACEMENT

Allow at least 5 minutes for light bulbs to cool off before touching bulbs to avoid accidental burning of skin.

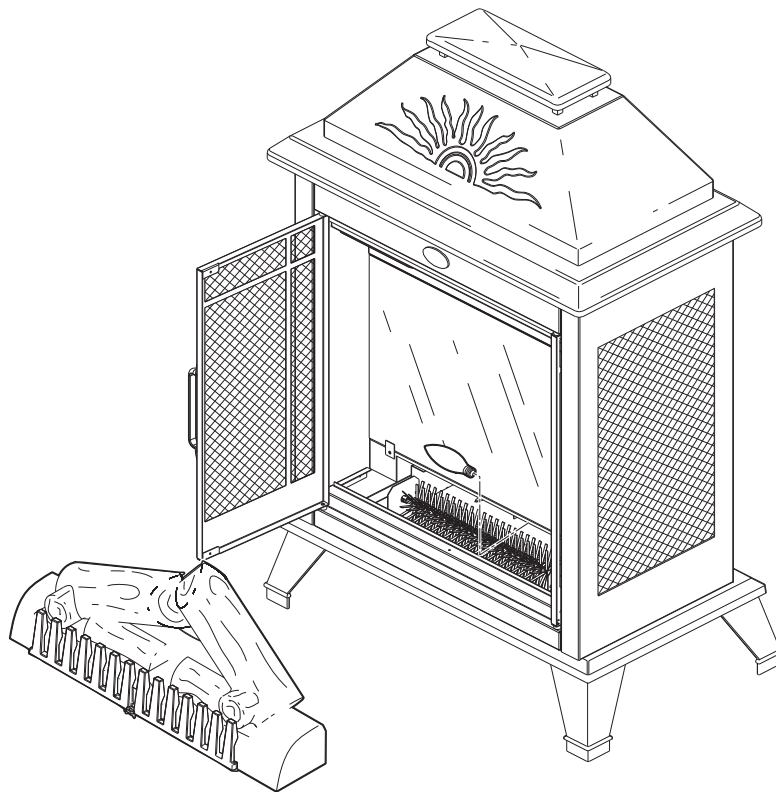
Light bulbs need to be replaced when you notice a dark section of the flame or when the clarity and detail of the log exterior disappears. There are three bulbs under the log set which generate the flames and embers.

HELPFUL HINTS

It is a good idea to replace all light bulbs at one time if they are close to the end of their rated life. Group replacement will reduce the number of times you need to open the unit to replace light bulbs.

LIGHT BULB REPLACEMENT

1. Open door by pulling the handles.
2. Remove the screw from the logset located in the center of the emberbed and remove the logset from the unit.
3. Locate and examine the bulbs to determine which bulb(s) required replacement.
4. Locate and remove the light bulb(s).
5. Insert new bulb(s).
6. Install the logset into the unit, pushing firmly against the glass. Replace the logset retaining screw into the ember bed.
7. Close the doors.



LIGHT BULB REQUIREMENTS

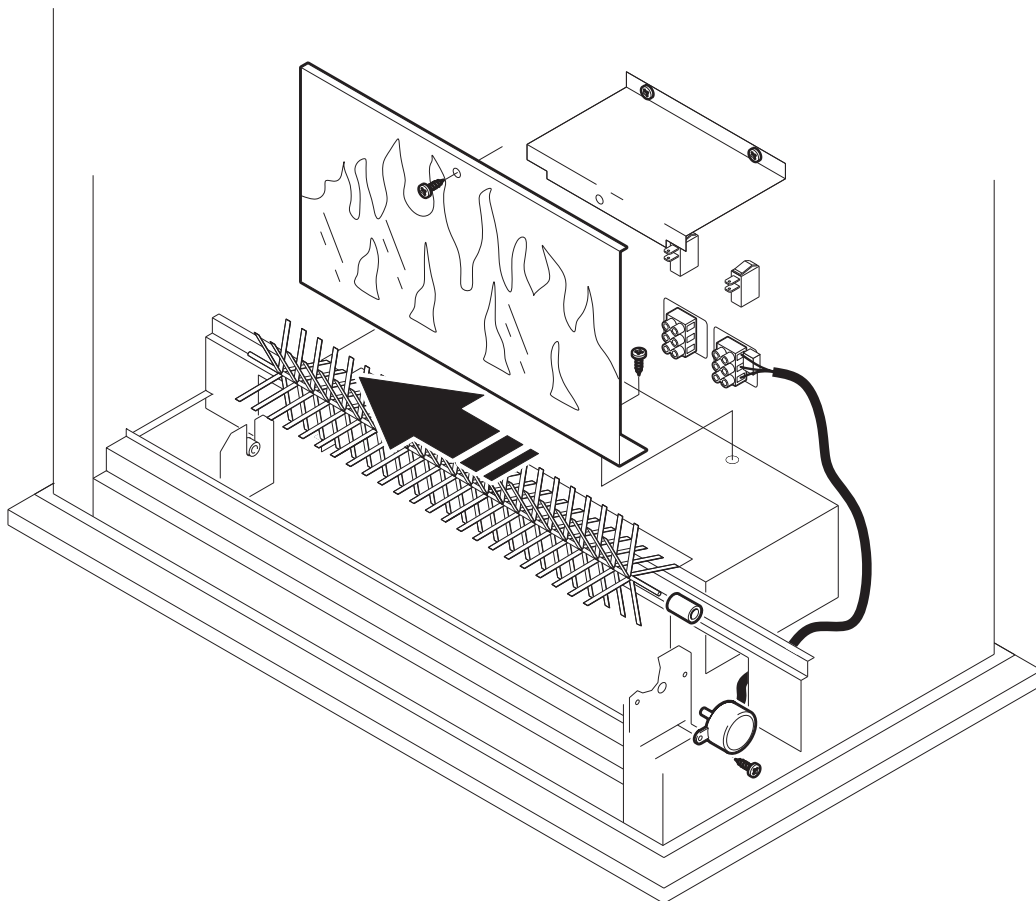
Quantity of 3 clear chandelier or candelabra bulbs with an E-12 (small) socket base, 60 watt rating.

If unit was operating prior to servicing allow at least 10 minutes for light bulbs and heating element to cool off to avoid accidental burning of skin.

Disconnect power before attempting any maintenance or cleaning to reduce the risk of electric shock or damage to persons.

FLAME ROD AND MOTOR REPLACEMENT

1. Open door by pulling the handles.
2. Remove the screw from the logset located in the center of the emberbed and remove the logset from the unit.
1. While holding the mirror to prevent it from moving, remove the 2 mirror retaining bracket screws. Carefully remove the mirror and store in a safe place to prevent damage.
2. Remove the 3 screws securing rear reflector to the unit.
3. Remove the reflector rod from the flame motor by pulling the end of the rod to the left and carefully remove flame rod from rubber sleeve.
4. Remove the 2 screws securing the flame motor to the flame motor bracket
5. Disconnect motor wiring connections from circuit board.
6. Discard the old motor.
7. Reassemble in the reverse order as above.

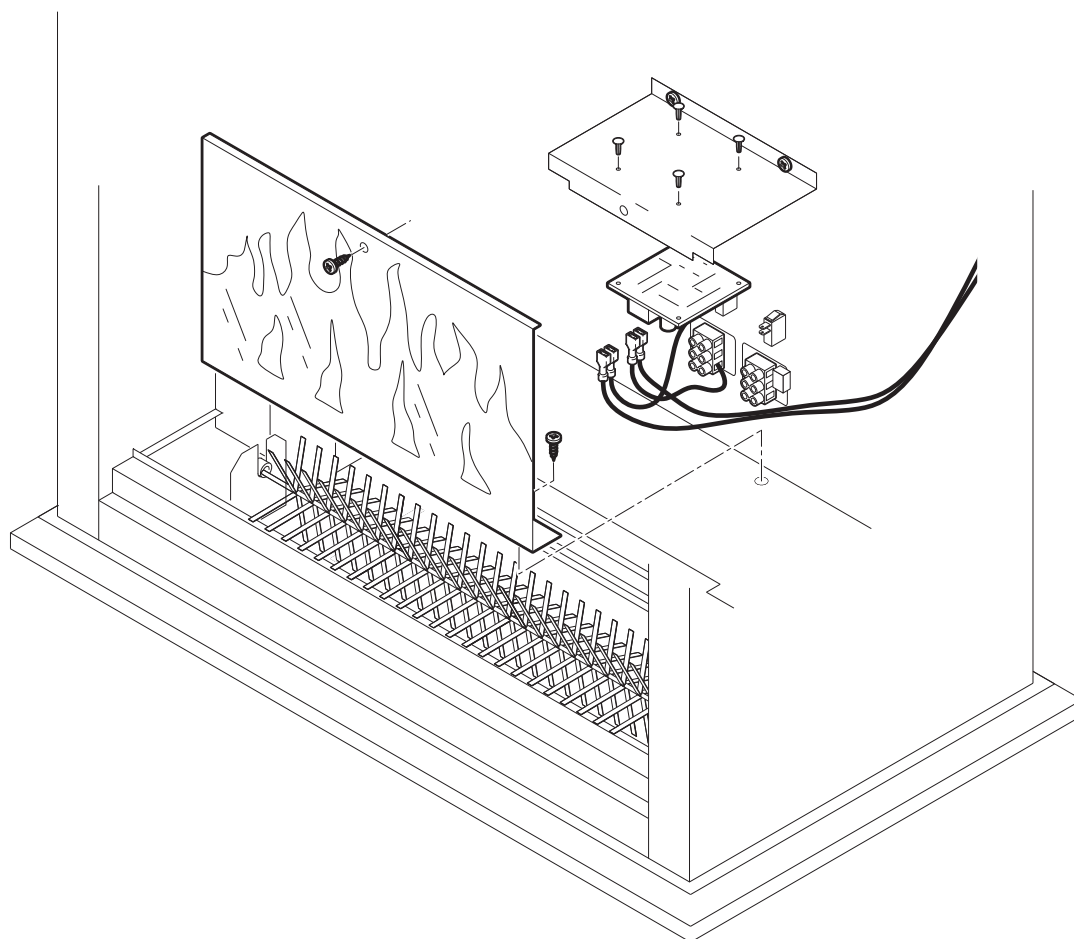


If unit was operating prior to servicing allow at least 10 minutes for light bulbs and heating element to cool off to avoid accidental burning of skin.

Disconnect power before attempting any maintenance or cleaning to reduce the risk of electric shock or damage to persons.

CIRCUIT BOARD REPLACEMENT

1. Open door by pulling the handles.
2. Remove the screw from the logset located in the center of the emberbed and remove the logset from the unit
3. While holding the mirror to prevent it from moving, remove the 2 mirror retaining bracket screws. Carefully remove the mirror and store in a safe place to prevent damage.
4. Remove the 3 screws securing rear reflector to the unit.
5. Locate the circuit board on the underside of the rear reflector bracket.
6. Remove wiring connections from circuit board noting their original locations.
7. From the underside of the circuit board, break off the 4 mounting studs by grasping with pliers and twisting on the protruding part of the stud, push the remainder of the studs out through the top panel.
8. **NOTE:** New mounting studs are supplied with the replacement circuit board
9. Reassemble in the reverse order as above.

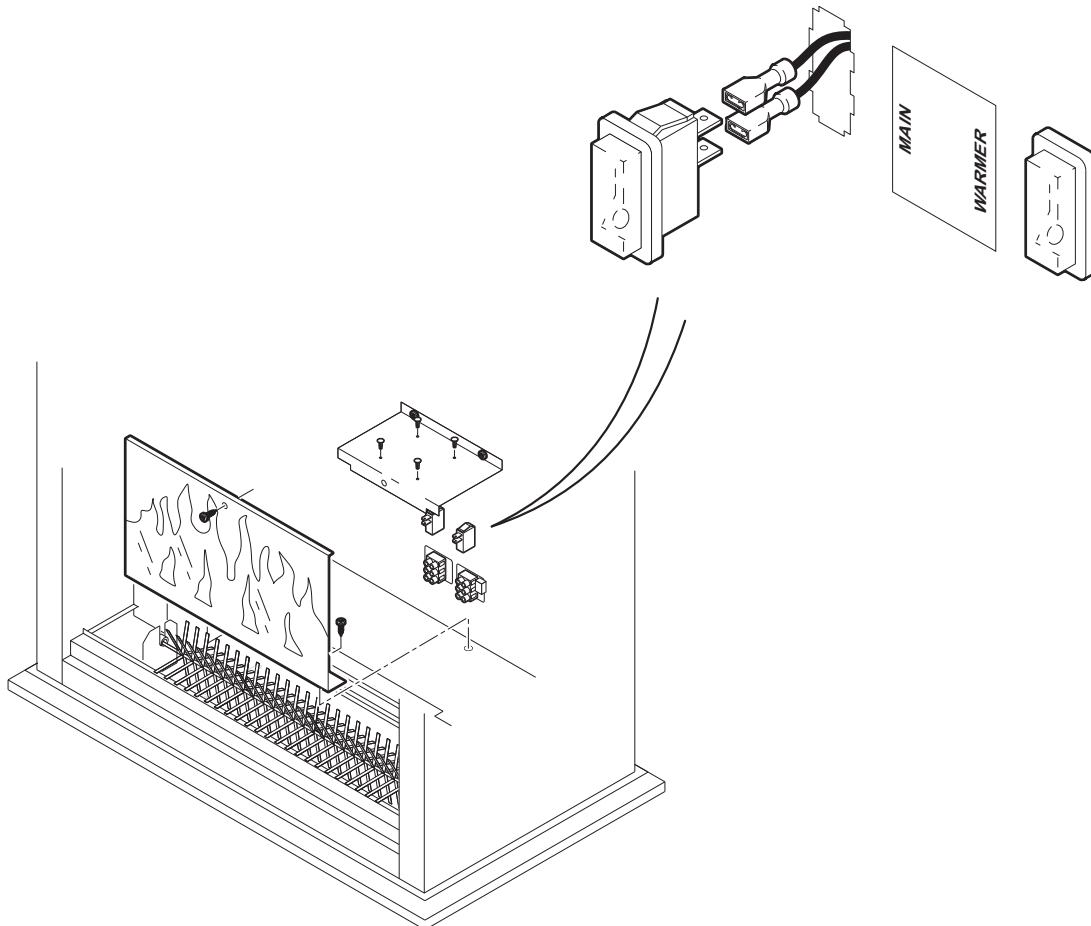


If unit was operating prior to servicing allow at least 10 minutes for light bulbs and heating element to cool off to avoid accidental burning of skin.

Disconnect power before attempting any maintenance or cleaning to reduce the risk of electric shock or damage to persons.

SWITCH REPLACEMENT

1. Open door by pulling the handles.
2. Remove the screw from the logset located in the center of the emberbed and remove the logset from the unit
3. While holding the mirror to prevent it from moving, remove the 2 mirror retaining bracket screws. Carefully remove the mirror and store in a safe place to prevent damage.
4. Remove the 3 screws securing rear reflector to the unit.
5. Locate the switches on the back wall of the unit.
6. Remove wiring connections from the switches noting their original locations.
7. Squeeze the tabs on the top and bottom of the switch and push out through the back of the unit.
8. Connect all of the wiring connections in their original locations.
9. Reassemble in the reverse order as above.

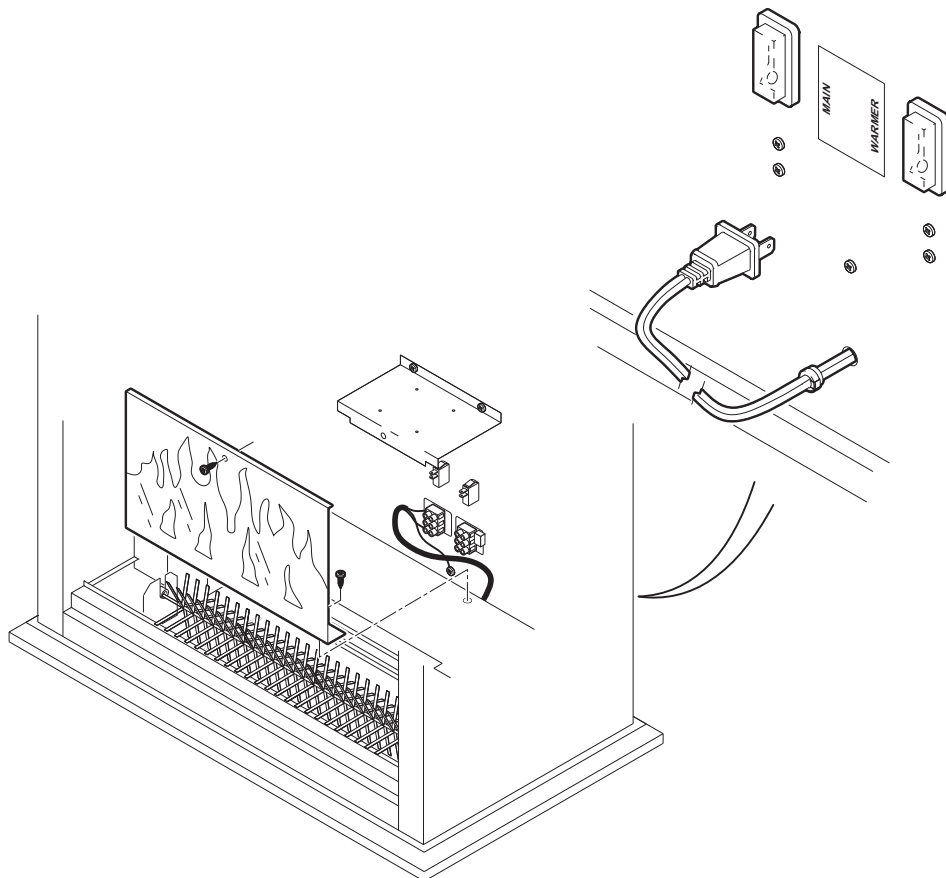


If unit was operating prior to servicing allow at least 10 minutes for light bulbs and heating element to cool off to avoid accidental burning of skin.

Disconnect power before attempting any maintenance or cleaning to reduce the risk of electric shock or damage to persons.

POWER CORD REPLACEMENT

1. Open door by pulling the handles.
2. Remove the screw from the logset located in the center of the emberbed and remove the logset from the unit
3. While holding the mirror to prevent it from moving, remove the 2 mirror retaining bracket screws. Carefully remove the mirror and store in a safe place to prevent damage.
4. Remove the 3 screws securing rear reflector to the unit.
5. Remove the power cord wiring connections from the terminal block.
6. Remove the power cord ground wire from the ground terminal.
7. With needle nose pliers grasp the power cord strain relief grommet from inside the rear panel and push while twisting to remove.
8. Pull the power cord out through the hole in the rear cover.
9. Install the new cord set through the hole in the rear cover by placing the strain relief over the cord, hold the strain relief with pliers and slide into mounting hole.
10. Connect all of the wiring connections in their original locations.
11. Reassemble in the reverse order as above.



Free Manuals Download Website

<http://myh66.com>

<http://usermanuals.us>

<http://www.somanuals.com>

<http://www.4manuals.cc>

<http://www.manual-lib.com>

<http://www.404manual.com>

<http://www.luxmanual.com>

<http://aubethermostatmanual.com>

Golf course search by state

<http://golfingnear.com>

Email search by domain

<http://emailbydomain.com>

Auto manuals search

<http://auto.somanuals.com>

TV manuals search

<http://tv.somanuals.com>