

Dimensions

(millimetres)

	Watts	Electrical Supply	Weight (kg)
HAW1000N	1000	230-240V ~1PN	14

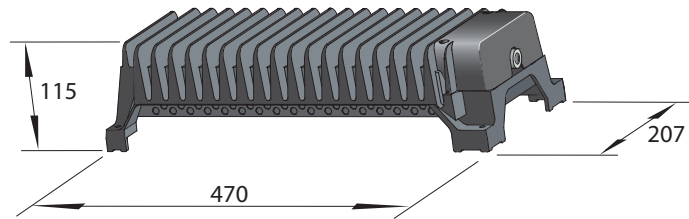


Fig. 1

THESE INSTRUCTIONS SHOULD BE READ CAREFULLY AND RETAINED FOR FUTURE REFERENCE

Important Safety Advice

Do not locate above or below a fixed socket outlet.

The heater including the supporting legs can get very hot; therefore do not mount directly on any combustible material. Suitable fire resistant material is required between the heater and any combustible base or support.

Warning: Before obtaining access to the terminals all supply circuits must be disconnected.

The heater should be installed to allow a reasonable air flow around the heater.

A prominent notice should be provided where the heater is sited 'Keep Clear and Unobstructed'.

Avoid exposure to water.

The heaters are not suitable for general domestic use.

The heater is suitable for a drying room provided that the heater has suitable ventilation.

A mains lead which can operate at + 110°C must be used.

An all-pole isolating switch with a minimum separation of 3mm in each pole must be fitted adjacent to the heater to facilitate local isolation.

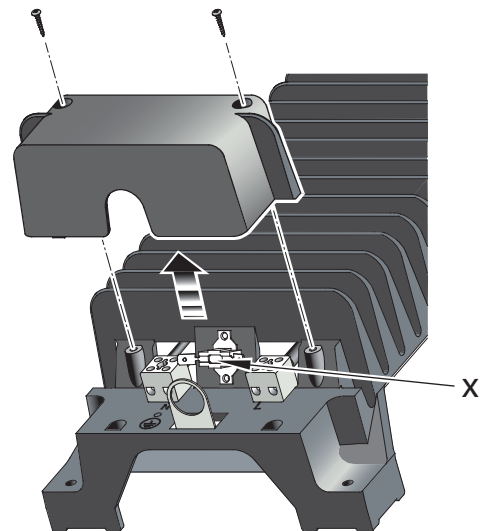


Fig. 2

General

This carton contains:

- 1 HAW1000N heater
- 1 Foldable guard

Electrical connection

WARNING – THIS APPLIANCE MUST BE EARTHED.

Verify that the electrical supply cable is sufficient for the rated loading. Check that the incoming supply conforms to the rated supply.

The heater power circuit must be protected by a suitably rated over current device.

The incoming cables must be connected to the factory fitted heater terminals provided. **Do not alter any factory fitted wiring.**

The Terminal Cover Casting can be removed to access the terminals, by removing the 2 screws fixing the cover - see Fig. 2.

WARNING: Ensure the power cable path does not come into contact with the heater element.

The heater is supplied with an earth stud, located inside the terminal box, which must be connected to earth.

After connection check the continuity of earth connections.

Installation

The installation should be carried out by a suitably qualified electrician/engineer in accordance with applicable standards.

Remove all items from the packaging. The heater should be fixed using the fixing points provided - see Fig. 3. Ensure the heater is securely fastened.

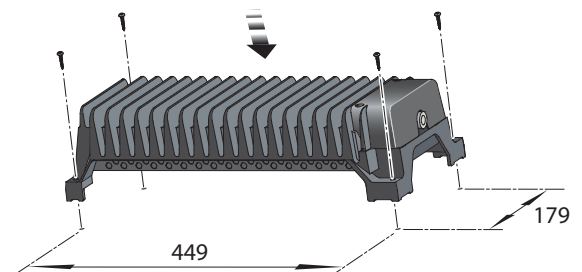


Fig. 3

Remove the terminal cover and connect the mains cable, while making note of the path the connecting cable should take through the guard. Reattach the terminal cover to the heater and fasten the cable gland. Mount the guard over the heater. Ensure the guard is mounted centrally relative to the heater as shown in Fig. 4.

The heater should not be connected until the instruction leaflet has been read fully.

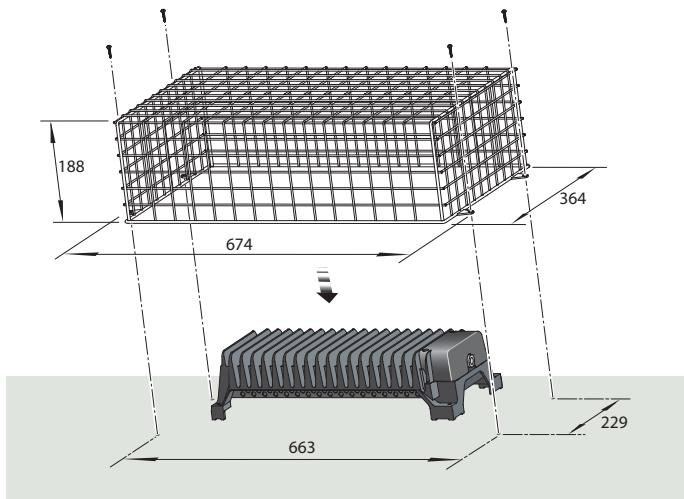


Fig. 4

Thermal Safety Cut-out

The thermal cut-out will operate and the power supply to the heating element will be interrupted if ventilation of the heater is impaired. Before resetting the thermal cut-out, the cause of the impaired ventilation should be established and eliminated.

Procedure for resetting cut-out

1. Disconnect power supply.
2. Remove the guard.
3. Remove the terminal cover to access the thermal cut-out - see Fig. 2.
4. Press the reset tab located in the centre of the cut-out (cut-out clicks when reset) - see 'x' in Fig. 2.
5. Re-fit the terminal cover and reconnect power supply.
6. Re-fit the guard.

If the cut-out continues to operate intermittently, the heater should be switched off and a service agent contacted.

Cleaning and User Maintenance

WARNING: DISCONNECT SUPPLY before carrying out maintenance.

The heater should be subject to a regular maintenance schedule with the following actions as a minimum:

- Check that the heater surfaces are clean and free from any deposits. The heater can be cleaned by wiping with a damp cloth. Neither abrasive cleaning powders nor furniture polish should be used.
- The internal wiring shall be clean and dry, with no apparent deterioration of the wiring insulation.
- All connections shall be tight, without signs of overheating.

Recycling



For electrical products sold within the European Community. At the end of the electrical products useful life it should not be disposed of with household waste. Please recycle where facilities exist. Check with your Local Authority or retailer for recycling advice in your country.

After Sales Service

Your product is guaranteed for one year from the date of purchase.

Within this period, we undertake to repair or exchange this product free of charge (excluding element & subject to availability) provided it has been installed and operated in accordance with these instructions. Your rights under this guarantee are additional to your statutory rights, which in turn are not affected by this guarantee.

Should you require after sales service you should contact our customer services help desk on 0845 600 5111. It would assist us if you can quote the model number, series, date of purchase, and nature of the fault at the time of your call. The customer services help desk will also be able to advise you

should you need to purchase any spares.

Please do not return a faulty product to us in the first instance as this may result in loss or damage and delay in providing you with a satisfactory service. Please retain your receipt as proof of purchase.

CE The product complies with the European Safety Standards BS EN60079 and the European Standard Electromagnetic Compatibility (EMC) EN55014, EN60555-2 and EN60555-3 which cover the essential requirements of EEC Directives 73/23 and 89/336

Dimplex UK Ltd.
Millbrook House
Grange Drive
Hedge End
Southampton
Hampshire. SO30 2DF

UK customer help line 8.00am–5.00pm Mon-Fri and 8:30am-1.00pm Sat (October-March)

Technical Services: Tel. 0845 600 5111
Fax. 01489 773053
e-mail technical.services@dimplex.co.uk

Republic of Ireland Tel. 01 8424833

Free Manuals Download Website

<http://myh66.com>

<http://usermanuals.us>

<http://www.somanuals.com>

<http://www.4manuals.cc>

<http://www.manual-lib.com>

<http://www.404manual.com>

<http://www.luxmanual.com>

<http://aubethermostatmanual.com>

Golf course search by state

<http://golfingnear.com>

Email search by domain

<http://emailbydomain.com>

Auto manuals search

<http://auto.somanuals.com>

TV manuals search

<http://tv.somanuals.com>