

Base Unit Fan Heater

Model: BFH24T, BFH24TB & BFH24TS



08/17171/7 Issue 7 APR '05

IMPORTANT: These instructions should be read and carefully retained by the user.

Safety Warnings

- **DO NOT COVER OR OBSTRUCT** the air inlet or outlet grille.
- ENSURE THE APPLIANCE IS EARTHED.
- **Do Not** place heater immediately below a socket outlet.
- If the appliance is covered, there is a risk of fire.
- **Do not** use this heater with young children unattended.
- **Do not** use this heater in areas where excessive dust exists.
- **Do not** touch or obstruct the grille areas when the heater is in operation.

Introduction

This heater has been designed for fitting in the space behind the plinth of floor standing kitchen units or other fitted furniture units. It is recommended that the heater is not installed under cupboards used for storing perishable goods. It can be accommodated in plinths with a minimum height of 120mm, and is suitable for cupboards of 500mm width and above.

Installation

The installation of this appliance should be carried out by a competent electrician and be in accordance with the current IEE wiring regulations.

Before undertaking installation work, ensure the electricity supply is disconnected from any relevant fixed wiring.

The heater is more easily fitted during the installation of new furniture units, or on existing furniture units if they can be temporarily moved from their position against the wall. If an existing furniture unit cannot be moved, then it may be necessary to remove the back of the unit in order to gain access to carry out the wiring installation.

Before installing the unit consider the location with respect to the following;

- The electrical supply and cable length.
- Position heater to deliver heat effectively without causing personal discomfort from overheating while standing at work surfaces etc.
- Minimum plinth height of 120mm and minimum furniture unit width of 500mm.

Procedure

1. Cutting the aperture in the Plinth

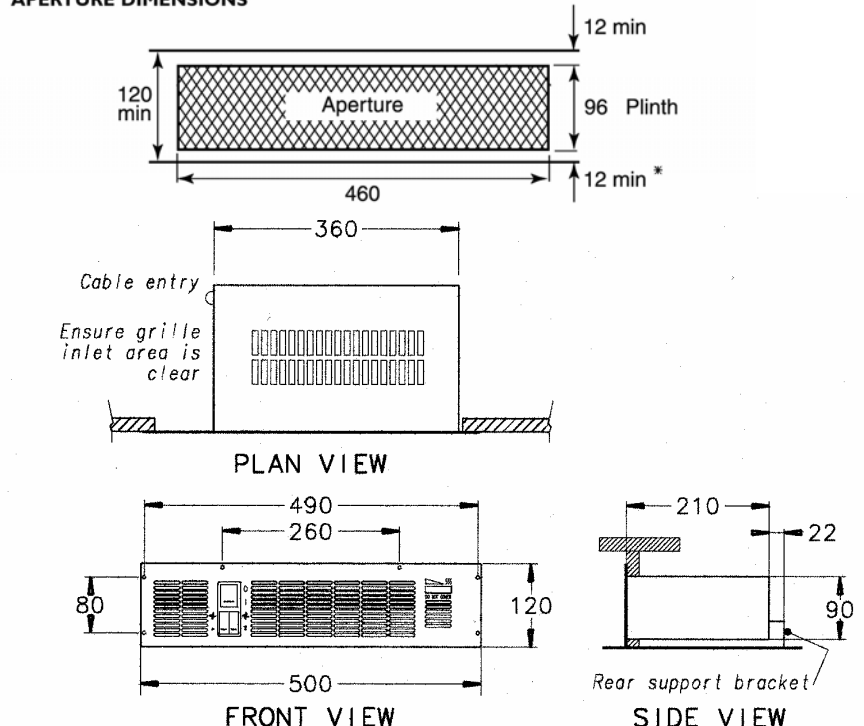
Cut aperture in furniture unit plinth to dimensions shown. This must be positioned so that the minimum distance from the bottom of the aperture to the TOP surface of any floor covering is not less than 12mm and not more than 25mm.

If an overhang above the heater is greater than 75mm, then a distance of at least 100mm must be maintained between the overhang and the uppermost part of the heater.

Note: If fitted in corner with adjacent cupboards to left hand side of heater then a distance of at least 150mm must be maintained between the left hand end of the heater and the front of the adjacent cupboard door.

* This dimension must be maintained above the top surface of any floor covering material. All dimensions in millimetres.

APERTURE DIMENSIONS



2. Power supply connection

Check that the supply voltage details on the heater are in accordance with your electricity supply. The appliance is fitted with 2 metres of flexible cable type H05VV-F size 3 x 1.5mm for electrical connection. The cable may be used to connect the heater to the fixed wiring of the premises through a suitable connection box. The supply circuit to the heater must incorporate a double pole isolating switch having a contact separation of at least 3mm. The power supply cable should be routed from the plinth space to the connection box, ensuring that the cable is left with enough slack to allow removal of the appliance for maintenance. The cable must be protected from any sharp edges.

3. Fitting the Rear Support Bracket

The heater is supplied with a rear support bracket. Fit to the back of the appliance with the two screws supplied. Adjust the rear support bracket so that the vertical distance from the underside of the appliance to bottom of the rear support bracket equals the vertical distance from the floor in the cupboard space to the bottom of the aperture opening. The slots in the rear support bracket allow it to be adjusted to the required height.

4. Marking the Fixing Positions

Slide the heater into position in the plinth aperture. Mark the six fixing holes (two on each side and two on the top). Remove the heater and drill 2mm pilot holes.

5. Mounting the Heater into the Plinth

When the cable connection has been made and the rear support bracket adjusted, slide the heater into the aperture ensuring that it is adequately supported and that the inlet grille is not obstructed. Use the six screws provided to secure the heater to the plinth. (See point 6 below for stainless steel grill fitting).

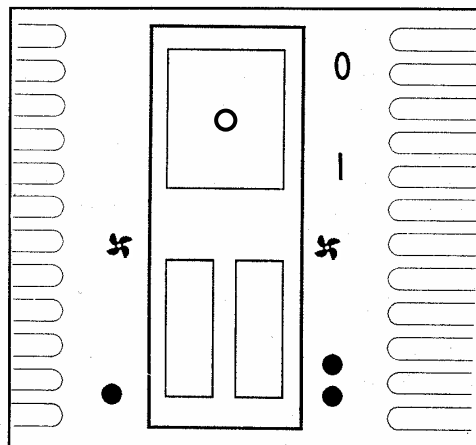
6. Stainless Steel Grille (BFH24TS model only).

The stainless steel grille is supplied (in the plastic covering) as an attachment for the front of the heater.

This should be offered up to the front of the heater before fixing the heater to the plinth. Use the six screws to secure it to the front of the heater / plinth.

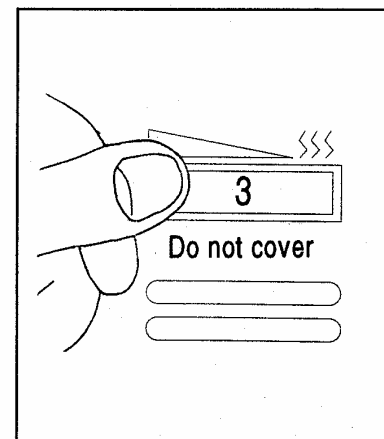
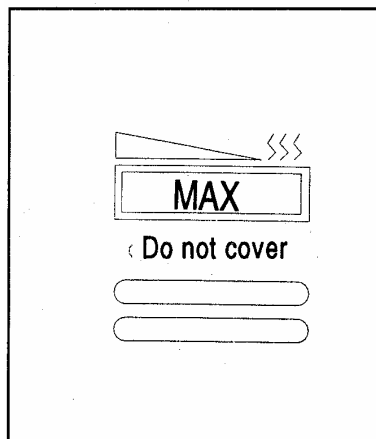
Operation

- 1 Switch on electricity supply to the heater.
- 2 Switching the switch marked "I" energises blower and illuminates neon indicator.
- 3 Select "I" and switches marked "●" and "☼" as required:
1 + ☼ + ☼ = Cooling
1 + ● + ☼ = 800W heating
1 + ☼ + ●● = 1600W heating
1 + ● + ●● = 2400W heating



Operation of Thermostat

1. The heater incorporates a variable thermostat which is controlled by a knob situated on the top right hand side of the front panel. The knob is marked *, 1 - 6, MAX, representing a temperature range of 5°C to 30°C. Lowest setting provides frost protection level.
2. Turn thermostat knob to maximum. When the room has reached the desired comfort level turn back the knob until the thermostat just 'clicks' off. If the knob is left in this position the room temperature will be maintained automatically at the chosen level.



Remember

If, when the heater is switched on, the room temperature is above that selected on the thermostat knob the heater will not operate. This is as it should be, and the thermostat is performing its function correctly. Should a higher temperature be required than the one selected, then it will be necessary to turn the thermostat knob to a higher setting to bring the heater into operation.

Cleaning & User Maintenance

WARNING: DISCONNECT SUPPLY before carrying out maintenance.

General Cleaning

External appearance can be maintained by wiping occasionally with a damp cloth; for stain removal, a weak soap solution can be applied, then wipe dry.

Internal Cleaning & Maintenance

To help prevent the build up of dust and fluff in the heater it is advisable to apply the soft brush attachment of a vacuum cleaner to the grille occasionally (fig. 1).

From time to time it may be necessary to remove the heater from the furniture unit so that the interior of the heater and the heater compartment can be cleared of any accumulated dust or fluff by means of a vacuum cleaner (fig. 2).

To remove, unscrew the six fixing screws and withdraw the appliance from the plinth.

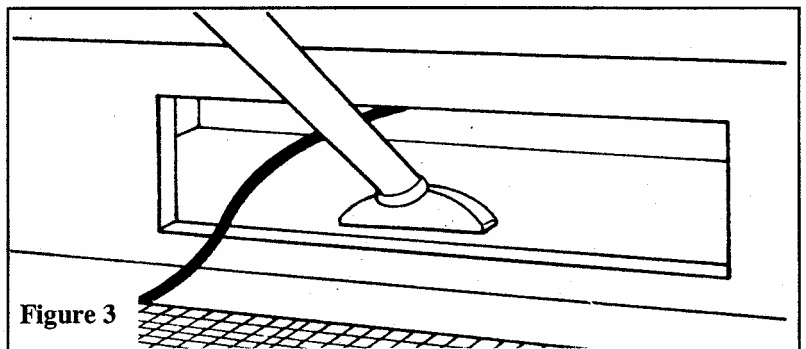
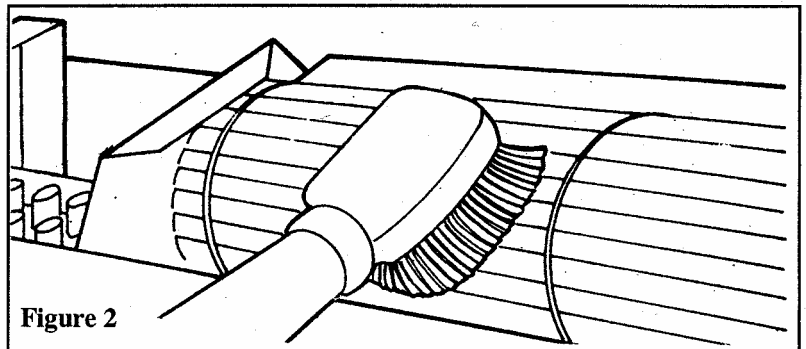
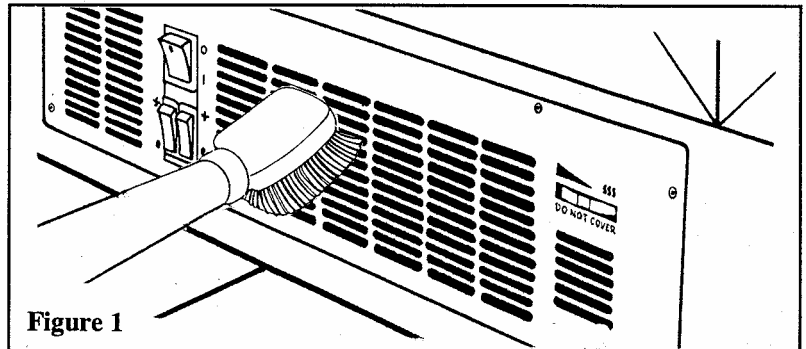
To gain access to the inside of the appliance remove the screws securing the top cover.

Clean the interior of the heater using the soft brush attachment of a vacuum cleaner, taking care not to damage the fan.

Refit the top cover. The interior compartment of the furniture unit should also be cleared of dust and fluff using the vacuum cleaner nozzle (fig. 3).

Remount the heater in the plinth ensuring the rear support bracket is still adjusted correctly.

The electricity supply to the heater can now be switched back on.



Safety – overheat protection

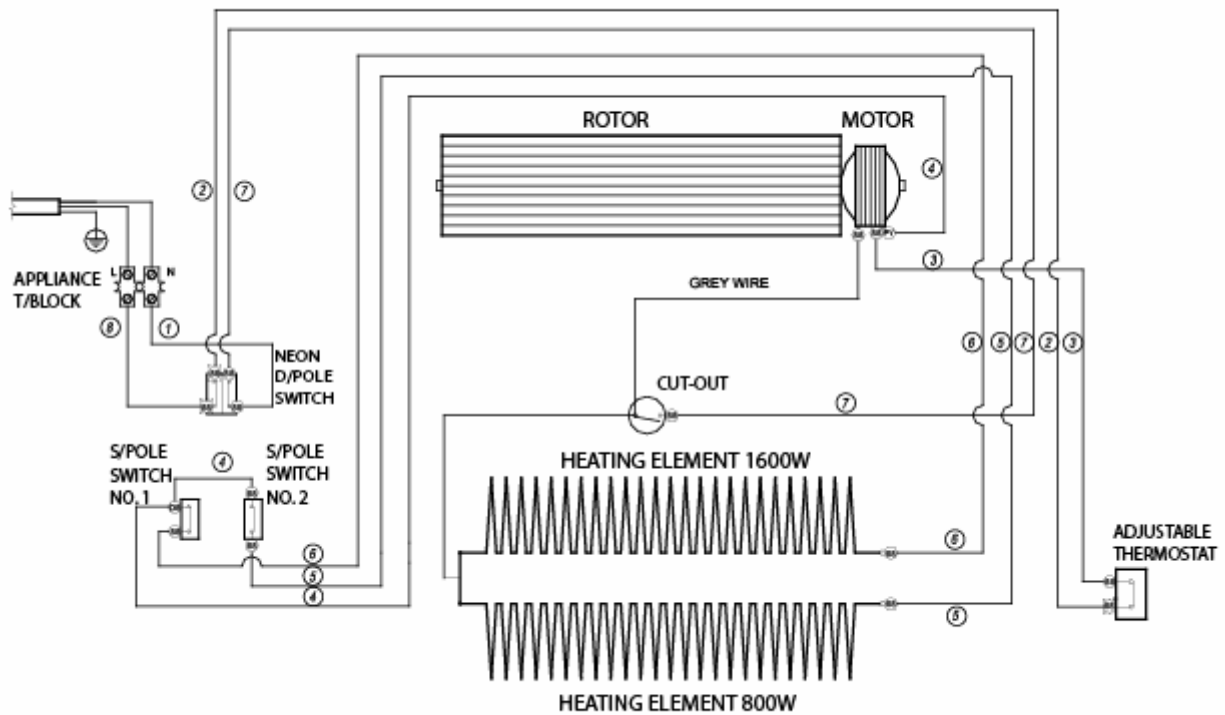
For your safety, this appliance is fitted with a thermal cut-out. In the event that the product overheats, the cut-out switches the heater off automatically. To bring the heater back into operation, remove the cause of overheating, then turn off the electrical supply to the heater for a few minutes. When the heater has cooled sufficiently reconnect and switch on the heater.

If the cut-out operates repeatedly, contact your supplier

Procedure for resetting the cut-out;

- A. Disconnect the electricity supply to the appliance either by switching off at the isolating switch panel.
- B. Determine what has caused the cut-out to operate and rectify.
(Note : This should only be undertaken by competent persons with experience of repairing electrical appliances and in full knowledge of the possible hazards involved).
- C. After a short time delay to allow the appliance to cool down, all that is required to return the heater to normal operation is to switch the electricity supply back on.

Circuit Diagram



After Sales Service

Your Dimplex base unit fan heater is guaranteed for two years from date of purchase. We undertake to exchange or repair free of charge within this period any part found to be defective due to a manufacturing fault. This guarantee in no way prejudices your rights under common law.

Should you require after sales service, please get in touch with the supplier through whom you purchased the appliance, or your nearest service agent.

Please do not initially return a faulty appliance or part of an appliance to us as this may result in transit damage and / or delay in providing service. Let us know your difficulty, quoting the model number and series letter of the appliance. We will then take the appropriate action.

CE This product complies with the European Safety Standard EN60335-2-30 and the European Standard for Electromagnetic Compatibility (EMC) EN55014, EN60555-2 and EN60555-3 which cover the essential requirements of EEC Directives 89/336.

Glen Dimplex UK Limited
Millbrook House
Grange Drive
Hedge End
Southampton
Hampshire SO30 2DF

UK customer help line (8.00AM – 6.00PM Mon-Fri; 8.30AM-1.00PM Sat)

Customer Services: Tel. 0870 7270101
Fax. 0870 7270102

Republic of Ireland 01 8424833

[c] Glen Dimplex UK Limited

All rights reserved. Material contained in this publication may not be reproduced in whole or in part, without prior permission in writing of Glen Dimplex UK Limited.

Free Manuals Download Website

<http://myh66.com>

<http://usermanuals.us>

<http://www.somanuals.com>

<http://www.4manuals.cc>

<http://www.manual-lib.com>

<http://www.404manual.com>

<http://www.luxmanual.com>

<http://aubethermostatmanual.com>

Golf course search by state

<http://golfingnear.com>

Email search by domain

<http://emailbydomain.com>

Auto manuals search

<http://auto.somanuals.com>

TV manuals search

<http://tv.somanuals.com>