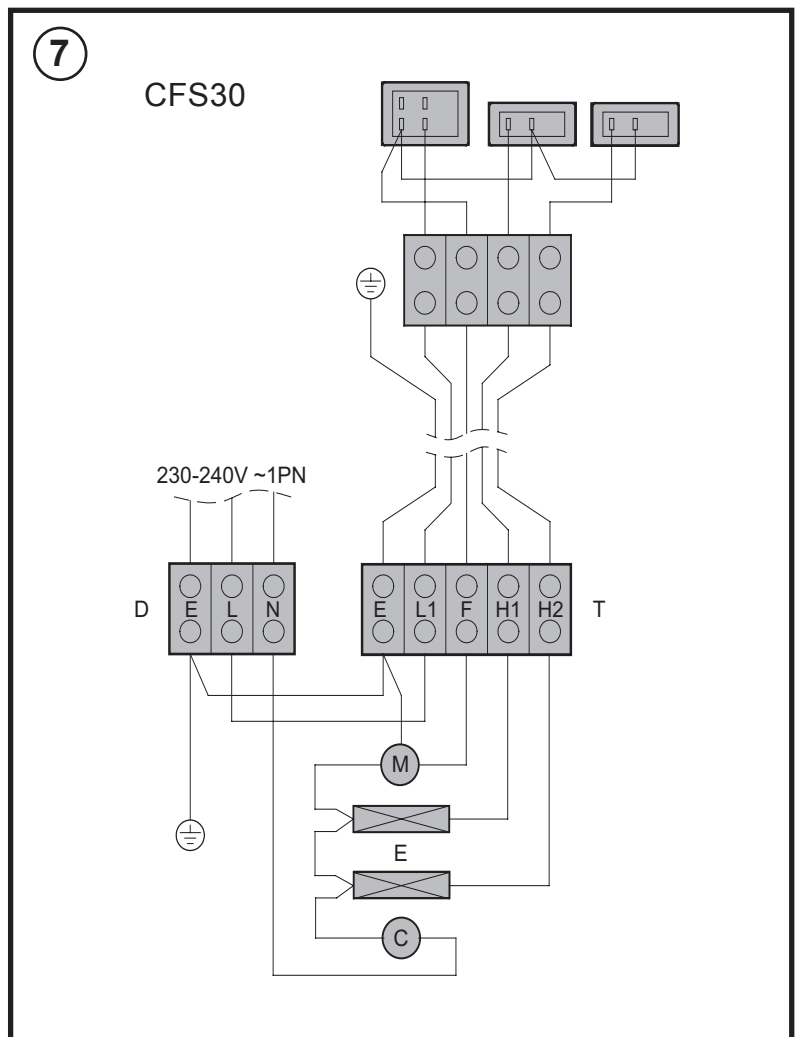
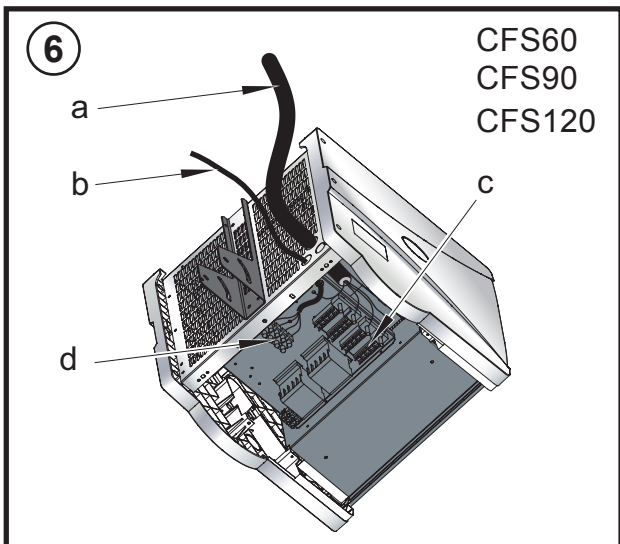
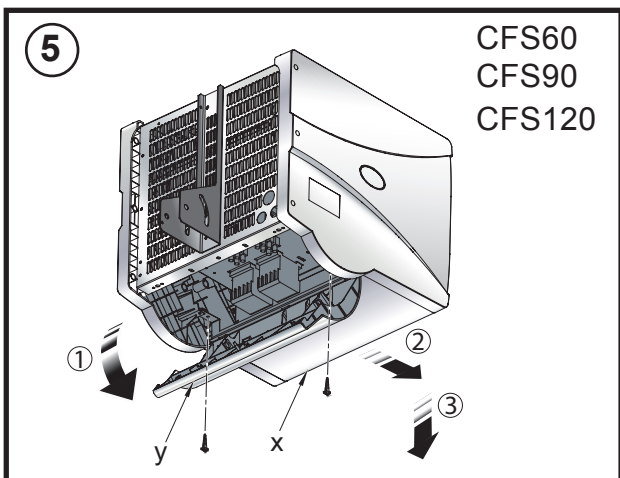
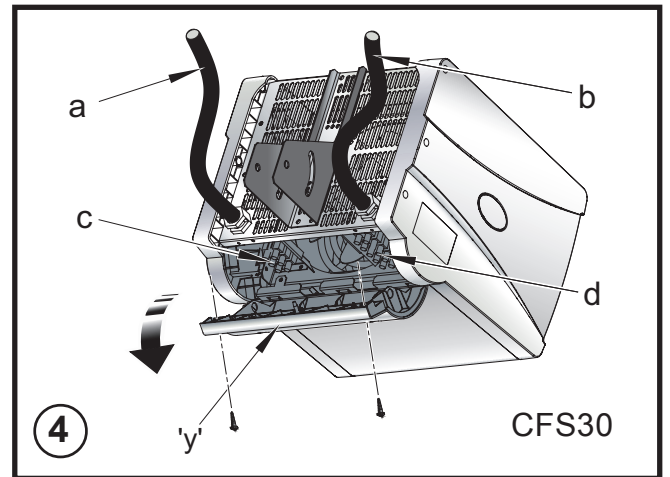
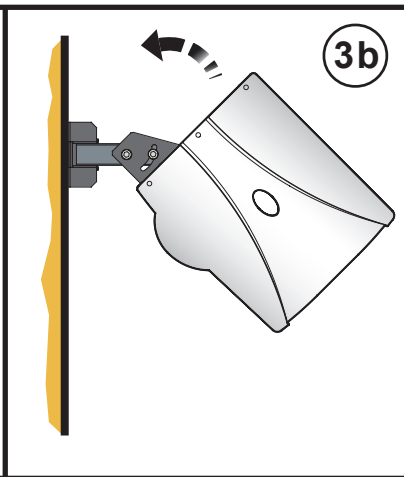
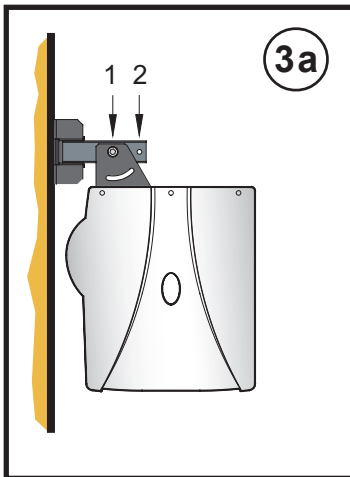
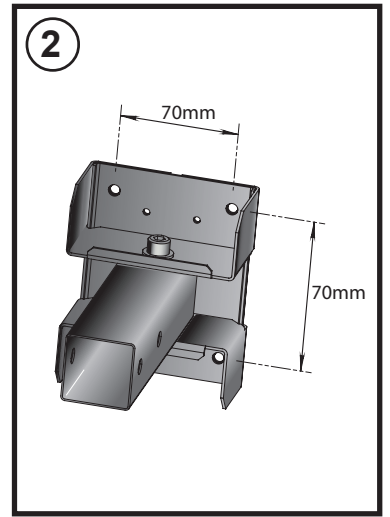
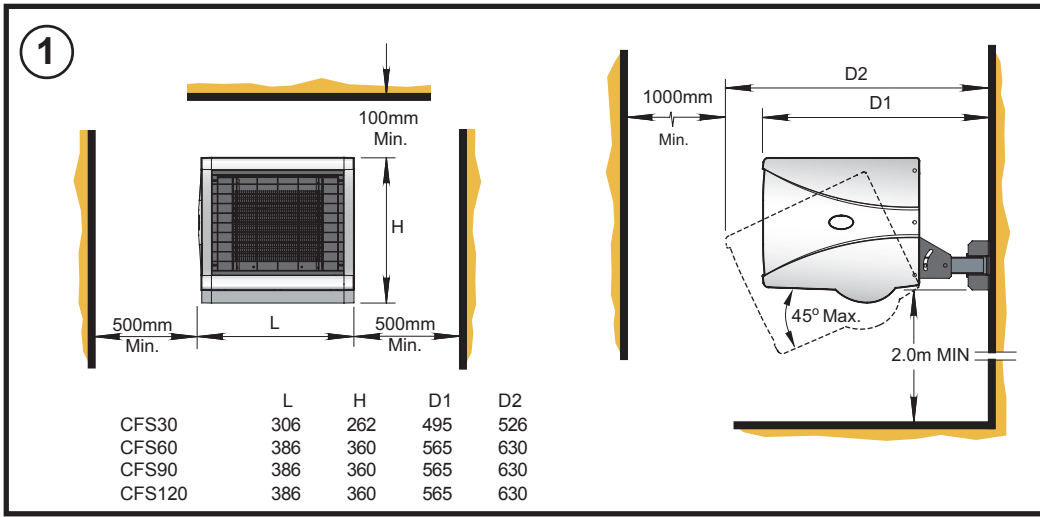
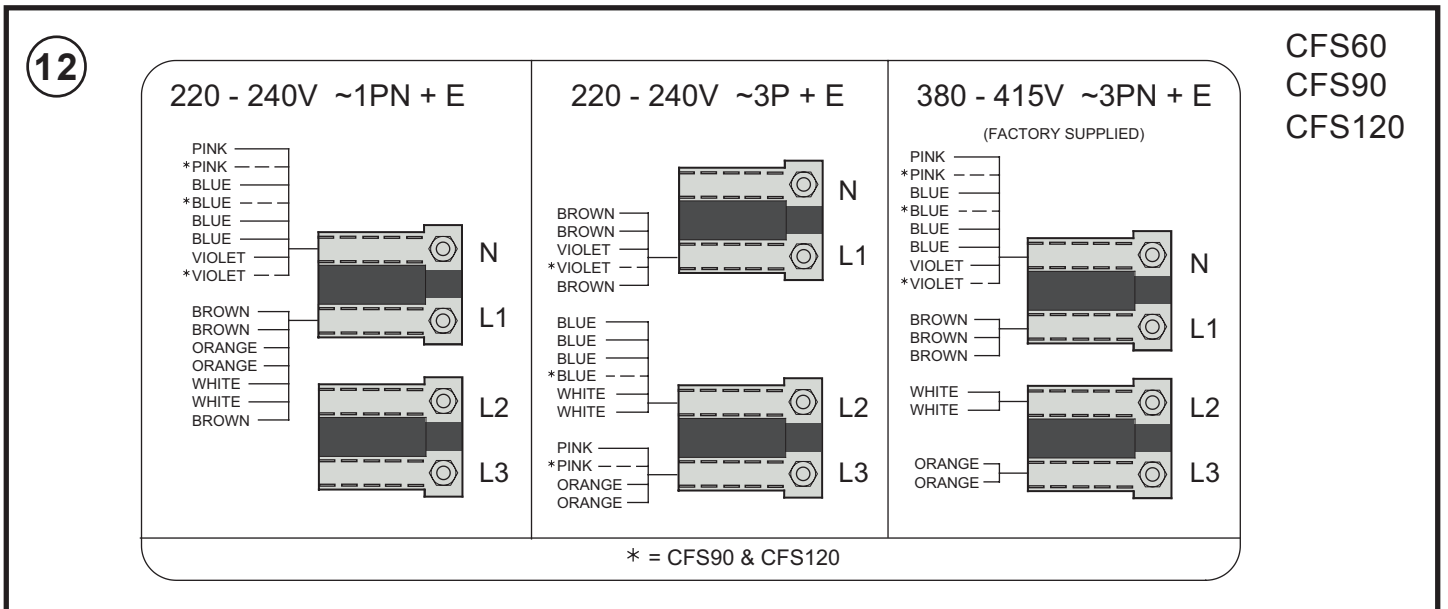
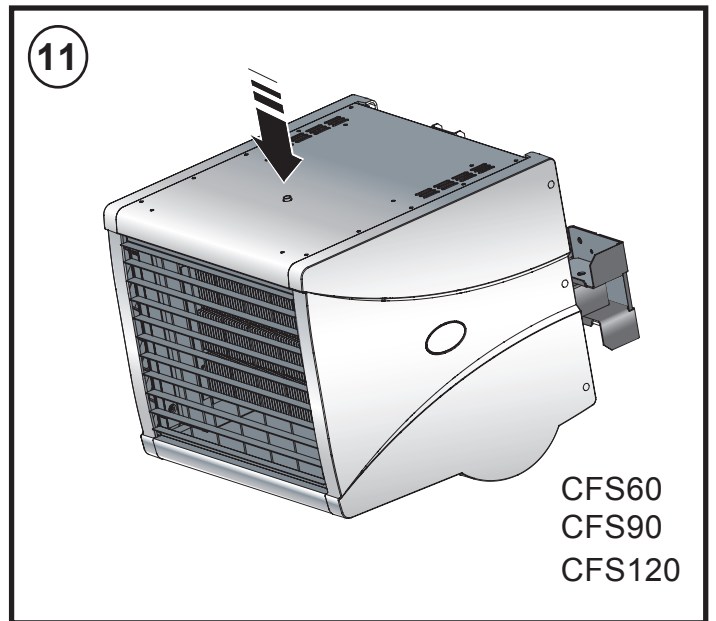
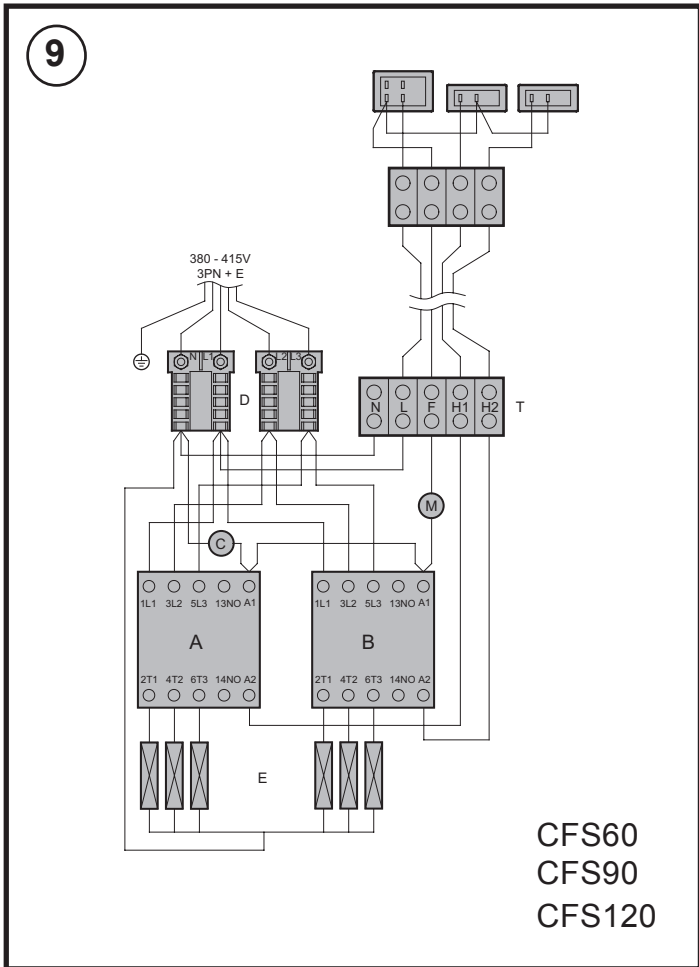
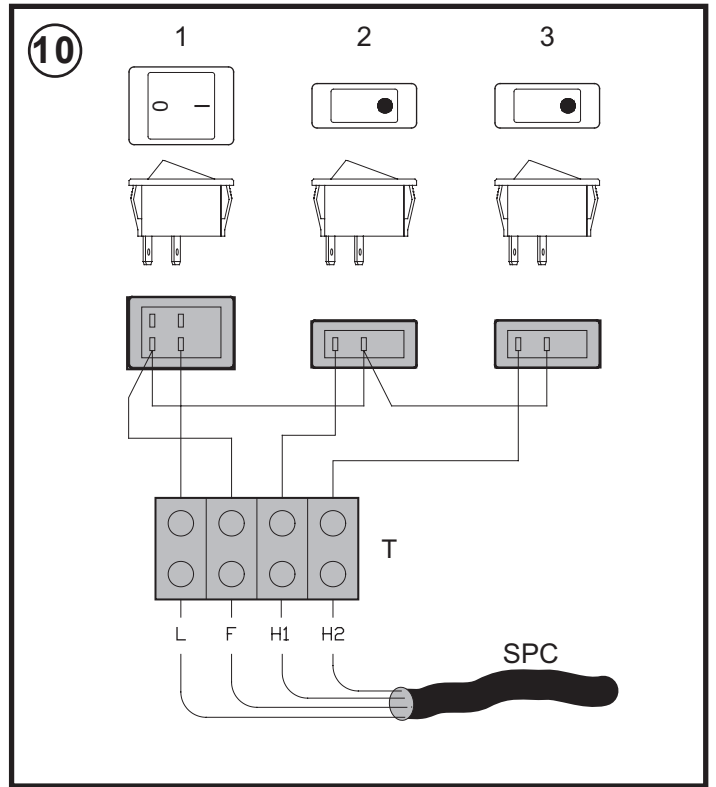
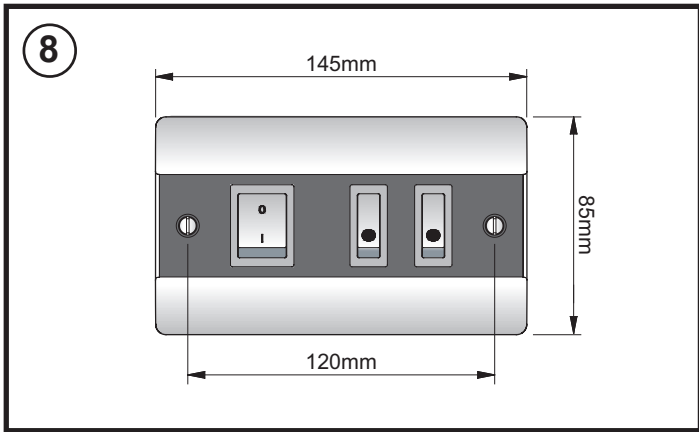


CFS30, CFS60, CFS90 & CFS120
Standard Wall Mounted Fan Heater





Dimplex Industrial Fan Heater

Models : CFS30, CFS60, CFS90 & CFS120

THESE INSTRUCTIONS SHOULD BE READ CAREFULLY AND RETAINED FOR FUTURE REFERENCE

IMPORTANT SAFETY ADVICE

DO NOT COVER OR OBSTRUCT the air inlet or outlet grille.
ENSURE THE APPLIANCE IS EARTHED.

Always disconnect supply before working on the product.

Do not use this heater in areas where excessive dust exists.

This heater must not be located immediately above or below a fixed socket outlet or connection box.

This product should be mounted safely to a solid wall.

Ensure the supply cables are of adequate current carrying capacity and are protected by a suitable fuse.

This appliance should only be connected to the fixed wiring of the premises by means of conduit.

This product must not be subjected to water spray or immersion.

If the appliance is mounted in a toilet or washroom, the appliance should be mounted such that no part of it can be touched by a person using a fixed bath or shower.

If the appliance is mounted in a toilet or washroom an isolating switch must be provided outside the washroom adjacent to the entrance door.

The Switch Panel should not be installed in a toilet or washroom.

CAUTION (CFS30 only) – In order to avoid a hazard due to inadvertent resetting of the thermal cut-out, this appliance MUST NOT be supplied through an external switching device, such as a timer, or connected to a circuit that is regularly switched on and off by the utility.

General

A range of robust, durable wall mounting fan heaters designed to coordinate with the Dimplex range of Air Curtains, providing environmental heating in commercial and light industrial environments.

The heaters work by gradually raising the air temperature in the building and should be positioned so as best to achieve an even temperature distribution. The product range has outputs of 3kW, 6kW, 9kW and 12kW.

Model	Heat Output kW	Electrical Supply	Electrical Load (per phase) A	Weight kg	Min Installed height m
CFS30	1.5 / 3	230-240V~ 1PN	12.7	7.6	2
CFS60	3 / 6	220-240V~ 1PN	26.0	13.5	2
		220-240V~ 3P	15.6		
		380-415V~ 3PN	9.0		
CFS90	6 / 9	220-240V~ 1PN	38.8	14.5	2
		220-240V~ 3P	23.0		
		380-415V~ 3PN	13.3		
CFS120	6 / 12	220-240V~ 1PN	51.6	14.5	2
		220-240V~ 3P	30.4		
		380-415V~ 3PN	17.5		

Wall Mounting

Remove the wall mounting bracket from the back of the heater and using it as a guide (see **Fig. 2**) mark off the hole positions on a suitable wall (a minimum height of 2 meters is required from the floor level to the bottom of the bracket). Solid brick or concrete block walls must be drilled and plugged. Fix the wall mounting bracket to the wall and assemble the heater to the extension tube using a bolt and wing nut fitted into hole 1 shown in **Fig. 3a**. Rotate the heater as shown in **Fig. 3b**, and fix the heater into position using the remaining bolt and wing nut in hole 2. Pivot and rotate the heater into the desired position and tighten all three wing nuts. A 6mm Allen key can be used as an aid to tightening the bolts.

Electrical and Control connections

Note: The installation of this appliance should be carried out by a competent electrician and be in accordance with the current IEE wiring regulations.

Electrical power and control connections for all CFS models are made by removing the control housing and bottom Panel. The control housing ('y' in **Fig. 4** and **Fig. 5**) is detached by removing the two screws and hinging the housing as shown (see step 1 in **Fig. 5**). The bottom panel ('x' in **Fig. 5**) is detached by removing two screws and lifting off as shown (see steps 2 & 3 in **Fig. 5**).

Note : Removal of bottom panel is not required for CFS30.

Note: A suitable local isolating switch must be provided in the electrical supply circuit as close as possible to the heater with at least 3mm clearance on each pole.

CFS30

Remove knock-out from back panel of heater and feed appropriate supply cable (see 'a' in **Fig. 4**) to terminal block 'c' (see **Fig. 4**). Make electrical connections as shown in **Fig. 7** and fix cable in back panel using suitable cable gland (not supplied). By removing the other knock-out and using 5 core cable (see 'b' in **Fig. 4**) make the control connections to terminal block 'd' also shown in **Fig. 4**.

CFS60, CFS90 & CFS120

Remove large knock-out from back panel of heater and feed appropriate supply cable (see 'a' in **Fig. 6**) to terminal blocks 'c'. Make electrical connections as shown in **Fig. 9** and fix cable in back panel using suitable cable gland (not supplied). By removing one of the smaller knock-outs and using 5 core cable (see 'b' in **Fig. 6**) make the control connections to terminal block 'd' also shown in **Fig. 6**.

Fix this cable in the back panel using suitable cable gland (not supplied) and feed back to the switch panel using suitable conduit. Refer to Switch Panel section for connections. Replace the control housing and switch on power to heater. Ensure that all switch settings are functioning correctly.

Note: The factory supplied unit can accept three phase voltage of ~380-415V. For single phase ~220-240V and three phase ~220-240V refer to the electrical wiring label (see **Fig. 12**) fixed to the underside of the bottom panel. To change between different voltage systems, rearrange the push on connections as per the required wiring diagram.

Wiring Diagrams

CFS30 - see Fig. 7.

CFS60, CFS90 & CFS120 - see Fig. 9.

- A - Heat 1 Contactor
- B - Heat 2 Contactor
- C - Cut-out circuit
- D - Mains In Terminal Block
- E - Elements
- T - Control Terminal Block
- M - Motor

Switch Panel

Installation

The backing box should be fixed to a suitable wall with appropriate conduit used where applicable to carry the cable between the heater and the switch panel. (see Fig. 8 for dimensions)

This cable used to connect the heater to the switch panel should have sufficient cores (typically 5 core) to allow connection as per the enclosed wiring diagram and be at least 1.0mm².

Test all switch settings once installation is complete.

Switch Panel Connections

Connections are made as shown in Fig. 10. (References listed below).

- 1 - FAN ON - OFF
- 2 - HEAT 1
- 3 - HEAT 2
- T - TERMINAL BLOCK

SPC - SWITCH PANEL CABLE TO HEATER (NOT SUPPLIED)

Tip: When stripping back the switch panel cable make note of the numbering or colours of each wire and their associated connections to the terminal block.

Operation of switch panel

Switch on electrical supply (MAINS IN) to the heater. Switching the switch marked 'I' energises the fan. The heat selection switches allow heat settings to be chosen as shown below:

Settings -	I	Fan Only
	I + ●	Half Heat
	I + ● ●	Full Heat

The desired heater setting can be obtained through switch selection.

Thermal Safety Cut-out

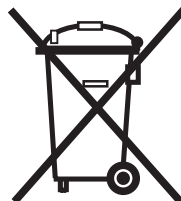
The power supply to the heating elements will be interrupted if one or a combination of the following abnormal events occurs:

1. Air inlet or outlet grilles are obstructed.
2. Internal ventilation is impaired due to build up of dust and fluff.
3. Blower unit stalls.

NOTE: Before re-setting the reason for activation must be determined and corrective action taken.

To reset the thermal safety cut-out for the CFS60, CFS90 or CFS120 models, access reset buttons as shown in Fig. 11 and push in direction of arrow. The CFS30 has an electrical reset cut-out which requires the power supply to be removed for a short period of time to allow the cut-out cool down. On return of the power supply, the heater should operate normally.

Recycling



For electrical products sold within the European Community.

At the end of the electrical products useful life it should not be disposed of with household waste. Please recycle where facilities exist. Check with your Local Authority or retailer for recycling advice in your country.

Cleaning

WARNING: DISCONNECT SUPPLY before carrying out maintenance.

External appearance can be maintained by wiping occasionally with a damp cloth. For stain removal, a weak soap solution can be applied with a cloth and the surface wiped dry. Care must be taken to avoid any moisture ingress into the product.

After Sales Service

Your product is guaranteed for one year from the date of purchase.

Within this period, we undertake to repair or exchange this product free of charge provided it has been installed and operated in accordance with these instructions.

Your rights under this guarantee are additional to your statutory rights, which in turn are not affected by this guarantee.

Should you require after sales service you should contact our customer services help desk on 0870 727 0101. It would assist us if you can quote the model number, series, date of purchase, and nature of the fault at the time of your call. The customer services help desk will also be able to advise you should you need to purchase any spares.

Please do not return a faulty product to us in the first instance as this may result in loss or damage and delay in providing you with a satisfactory service.

Please retain your receipt as proof of purchase.

Glen Dimplex UK Limited
Millbrook House
Grange Drive
Hedge End
Southampton
Hampshire. SO30 2DF

UK customer help line (8.00AM – 6.00PM Mon-Fri; 8.30AM-1.00PM Sat)

Customer Services:	Tel.	0870 7270101
	Fax.	0870 7270102
	e-mail	customer.services@glendimplex.com
Republic of Ireland	Tel.	01 8424833

[c] Glen Dimplex UK Limited

All rights reserved. Material contained in this publication may not be reproduced in whole or in part, without prior permission in writing of Glen Dimplex UK Limited.

Free Manuals Download Website

<http://myh66.com>

<http://usermanuals.us>

<http://www.somanuals.com>

<http://www.4manuals.cc>

<http://www.manual-lib.com>

<http://www.404manual.com>

<http://www.luxmanual.com>

<http://aubethermostatmanual.com>

Golf course search by state

<http://golfingnear.com>

Email search by domain

<http://emailbydomain.com>

Auto manuals search

<http://auto.somanuals.com>

TV manuals search

<http://tv.somanuals.com>