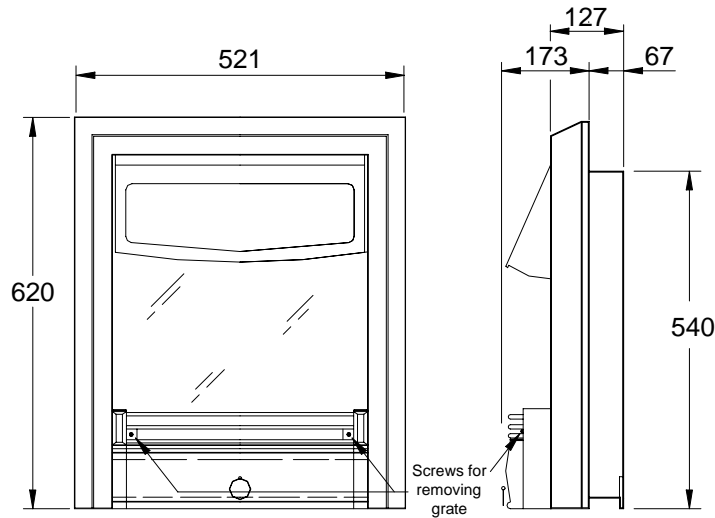


Fig. 1



IMPORTANT

THESE INSTRUCTIONS SHOULD BE READ CAREFULLY AND RETAINED FOR FUTURE REFERENCE.

General

Unpack the heater carefully and retain the packaging for possible future use, in the event of moving or returning the fire to your supplier. Loose coals are packed separately within the carton. When the heater is assembled the coals are placed on top off the fuel bed.

The heaters is designed for use inset into a 407mm (16") or 457mm (18") wide by 559mm (22") high fireplace opening see also section "Installation in a fire place opening".

A 2kw fan heater discreetly positioned in the canopy of the fire provides heating in cold weather. Switching allows half or full heat.

A minimum distance of 1 metre (39") must be maintained between the front of the heater and any surrounding furniture, overhanging curtains or other obstructions.

Before connecting the heater check that the supply voltage is the same as that stated on the heater.

Electrical

Warning: This appliance must be earthed
This heater must be used on an ~ (AC) supply only and the voltage marked on the heater must correspond with the supply voltage.
For your convenience, the heater is fitted with a rewirable plug incorporating a 13 amp fuse.
In the event of replacing the fuse in the plug supplied, a 13 amp fuse approved by ASTA to BS 1362 must be used.

Important Safety Advice

When using electrical appliances, basic precautions should always be followed to reduce the risk of fire, electric shock, and injury to persons, including the following:

- If the appliance is damaged, check immediately with the supplier before installation and operation.
- DO NOT use outdoors.
- DO NOT use in the immediate surroundings of a bath shower or swimming pool.
- DO NOT locate the heater immediately below a fixed socket outlet or connection box.
- DO NOT COVER THE HEATER. Do not place material or garments on the heater, or obstruct the air circulation around the heater, for instance by curtains or furniture, as this could cause overheating and a fire risk.
- DO NOT leave young children, the elderly, or the infirm unsupervised in the vicinity of the heater.
- DO NOT use this heater in series with thermal control, a programmable controller, a timer or any other device that switches the heater automatically, since a fire risk exists when the heater is accidentally covered or displaced. Ensure that furniture, curtains or other combustible material are positioned NO closer than 1meter from the heater.
- In the event of a fault unplug the heater.
- Unplug the heater when not required for long periods.
- Keep supply cord away from the front of the heater.
- Although this heater complies with safety standards, we do not recommend its use on deep pile carpets or on long hair type of rugs.
- The appliance must be positioned so that the plug is accessible.
- If the supply cord is damaged it must be replaced by the manufacturer or service agent or a similarly qualified person in order to avoid a hazard.

Installation in a Fireplace Opening

At the rear of the fire, two adjustable supports are provided for leveling the fire where the base of the fireplace opening is raised above the level of the hearth.

Adjust by removing the two screws holding each bracket in position, then refit the bracket and the two screws in the required position.

Operation

The unique flame effect may be enjoyed whether or not the heating elements are in operation.

'Please note: Used in an environment where background noise is very low, it may be possible to hear the fan which operates the flame effect. This is normal and should not be a cause for concern'.

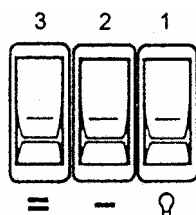
Controls

The heater controls are located on the right hand side beneath the hinged canopy cover.
Raise the canopy cover to access the controls.

Three switches provide a choice of heat settings and an adjustable thermostat enables the room temperature to be controlled by adjusting the setting accordingly.

A switch is in the ON position when the red indicator mark on the switch is visible.

Switch 1 - Controls the electricity supply to the heater and the flame effect.
Note: This switch must be in the ON position for the heater to operate.



Switch 2 - Provides 1kw heat output, with thermostat control.

Switch 3 - Provides 2kw heat output with switch 2, with thermostat control

Setting the Thermostat

Plug in and set all switches to ON. Turn the thermostat knob to MAX to warm the room rapidly. When the room temperature has reached the desired level, turn the thermostat knob back slowly until the thermostat just clicks off. The heater will then maintain the room temperature at the chosen level.

NOTE – Should your heater fail to come on when the thermostat is at a low setting, this may be due to the room temperature being higher than the thermostat setting.

Maintenance

WARNING – BEFORE UNDERTAKING ANY MAINTENANCE OR CLEANING REMOVE PLUG OR DISCONNECT FROM THE ELECTRICITY SUPPLY.

Lamp Replacement

There are two lamps located beneath the fuel effect. To gain access to the lamp, the grate / fuel effect secured by two screws, must be removed. (See Fig.1) Remove the coal and carefully lift the grate / fuel effect clear and set aside.

Replace the defective lamp with a 240V 60 Watt E14 SES clear candle lamp.

Replace grate/fuel effect, secure with screws.

Safety cut-out

For your safety, this appliance has been fitted with thermal cut-out. In the event that the product overheats, the cut-out switches the heat off automatically.

To bring the heat back into operation, remove the cause of the overheating, then unplug or turn off the electrical supply to the heater for up to 10 minutes. When the heater has cooled sufficiently, re-connect and switch on the heater.

Cleaning

Before commencing cleaning, unplug the heater and allow it to cool.

The surfaces of the heater should be given an occasional wipe over with a dry soft cloth.

Do not use detergents, abrasive cleaning powder or polish on the metal body of the heater.

The glass screen should be cleaned carefully with a chamois leather. DO NOT use proprietary cleaners.

To remove any accumulation of dust or fluff the soft brush attachment of a vacuum cleaner should occasionally be used to clean the outlet grille of the fan heater located under the canopy.


To clean the fuel effect, remove the coal pieces and wash in warm water. The plastic tray should be wiped clean with a damp cloth. When dry replace the coal pieces and arrange for best effect.

After Sales Service

Your product is guaranteed for one year from the date of purchase. We undertake to exchange or repair free of charge within this period, any part (excluding lamps) found to be defective due to manufacturing fault.

Should you require after sales service, please get in touch with the supplier through whom you purchased the appliance or your nearest Service Agent.

Please do not initially return a faulty appliance or part of an appliance to us as this may result in transit damage and/or delay in providing service. Let us know your difficulty quoting the model number and series letter of the appliance. We will then take the appropriate action.

 The product complies with the European Safety Standards EN60335-2-30 and the European Standard Electromagnetic Compatibility (EMC) EN55014, N60555-2 and EN60555-3 which cover the essential requirements of EEC Directives 73/23 and 9/336

Glen Dimplex UK Limited
Millbrook House
Grange Drive
Hedge End
Southampton
Hampshire. SO30 2DF

UK customer help line (8.00AM – 6.00PM Mon-Fri; 8.30AM-1.00PM Sat)

Customer Services: Tel. 0870 7270101
Fax. 0870 7270102
E-mail. customer.services@glendimplex

Republic of Ireland 01 8424833
Download from www.somanuals.com. All Manuals Search And Download.

Free Manuals Download Website

<http://myh66.com>

<http://usermanuals.us>

<http://www.somanuals.com>

<http://www.4manuals.cc>

<http://www.manual-lib.com>

<http://www.404manual.com>

<http://www.luxmanual.com>

<http://aubethermostatmanual.com>

Golf course search by state

<http://golfingnear.com>

Email search by domain

<http://emailbydomain.com>

Auto manuals search

<http://auto.somanuals.com>

TV manuals search

<http://tv.somanuals.com>