

Owner's Manual








Model
20" Compact

IMPORTANT SAFETY INFORMATION: Always read this manual first before attempting to install or use this fireplace. For your safety, always comply with all warnings and safety instructions contained in this manual to prevent personal injury or property damage.

7207250100R05



Table of Contents

 Welcome & Congratulations	3
 IMPORTANT INSTRUCTIONS	4
 Installation	7
 Operation	8
 Maintenance	10
 Warranty	12
 Replacement Parts	15

Always use a qualified technician or service agency to repair this stove.

! NOTE: Procedures and techniques that are considered important enough to emphasize.

⚠ CAUTION: Procedures and techniques which, if not carefully followed, will result in damage to the equipment.

⚠ WARNING: Procedures and techniques which, if not carefully followed, will expose the user to the risk of fire, serious injury, or death.



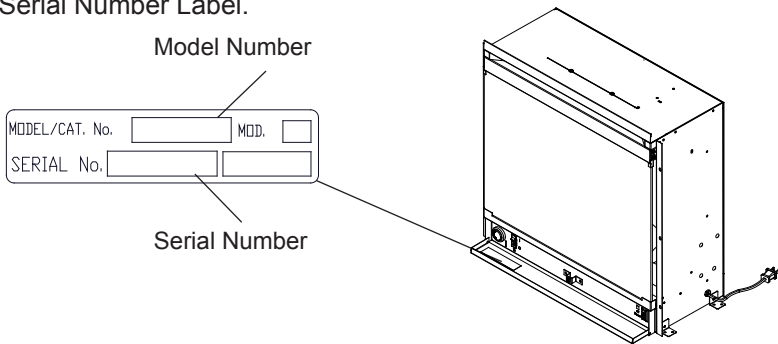
Welcome & Congratulations

Thank you and congratulations for choosing to purchase an electric fireplace from Electralog, the world leader in electric fireplaces.

Please carefully read and save these instructions.


⚠ CAUTION: Read all instructions and warnings carefully before starting installation. Failure to follow these instructions may result in a possible electric shock, fire hazard and will void the warranty.


Please record your model and serial numbers below for future reference: model and serial numbers can be found on the Model and Serial Number Label.



NO NEED TO RETURN TO THE STORE

Questions with operation or assembly? Require Parts Information?
Product Under Manufacturer's Warranty?

Contact us at:  www.dimplex.com/customer_support
For Troubleshooting and Technical Support

OR  **Toll-Free 1-888-346-7539**
Monday to Friday 8:00 a.m. to 4:30 p.m. EST
Please have your model number and product serial number ready. (See above)



IMPORTANT INSTRUCTIONS

- ① Read all instructions before using this heater.
- ② This heater is hot when in use. To avoid burns, do not let bare skin touch hot surfaces. The trim around the heater outlet becomes hot during heater operation. Keep combustible materials, such as furniture, pillows, bedding, papers, clothes, and curtains at least 3 feet (0.9 m) from the front of the heater and keep them away from the sides and rear.
- ③ Extreme caution is necessary when any heater is used by or near children or invalids and whenever the unit is left operating and unattended.
- ④ Always unplug the heater when not in use.
- ⑤ Do not operate any heater with a damaged cord or plug, or if the heater has malfunctioned, or if it has been dropped or damaged in any manner. Return heater to authorized service facility for examination, electrical or mechanical adjustment, or repair.
- ⑥ Do not use outdoors.
- ⑦ This heater is not intended for use in bathrooms, laundry areas and similar indoor locations. Never locate this heater where it may fall into a bathtub or other water container.
- ⑧ Do not run cord under carpeting. Do not cover cord with throw rugs, runners, or the like. Arrange cord away from traffic area and where it will not be tripped over.
- ⑨ To disconnect heater, turn controls to off, then remove plug from outlet.
- ⑩ Do not insert or allow foreign objects to enter any ventilation or exhaust opening as this may cause an electric shock or fire, or damage the heater.
- ⑪ To prevent a possible fire, do not block air intakes or exhaust in any manner. Do not use on soft surfaces, like a bed, where openings may become blocked.
- ⑫ All electrical heaters have hot and arcing or sparking parts inside. Do not use in areas where gasoline,



CAUTION
RISK OF ELECTRIC SHOCK
DO NOT OPEN
NO USER-SERVICEABLE PARTS INSIDE





IMPORTANT INSTRUCTIONS

paint, or flammable liquids are used or stored or where it will be exposed to flammable vapors.

⑬ Do not modify the heater. Use it only as described in this manual. Any other use not recommended by the manufacturer may cause fire, electric shock, or injury to persons.

⑭ To reduce the risk of electric shock, this heater has a polarized plug (one blade is wider than the other). This plug will fit in a polarized outlet only one way. If the plug does not fit fully in the outlet, reverse the plug. If it still does not fit, contact a qualified electrician to install the proper outlet. Do not change the plug in any way. Avoid the use of an extension cord. Extension cords may overheat and cause a risk of fire. If you must use an extension cord, the cord must be No. 14 AWG minimum size and rated no less than 1875 Watts.

⑮ Do not burn wood or other materials in the Compact Fireplace.

⑯ Do not strike the front glass.

⑰ Always use a certified electrician should new circuits or outlets be required.

⑱ Always use properly grounded, fused and polarized outlets.

⑲ Disconnect all power supply before performing any cleaning, maintenance or relocation of the heater.

⑳ When transporting or storing the heater and cord, keep in a dry place, free from excessive vibration and store so as to avoid damage

SAVE THESE INSTRUCTIONS



IMPORTANT INSTRUCTIONS

! NOTE: This equipment has been tested and found to comply with the limits for Class B digital device, pursuant to part 15 of the FCC Rules. These limits are designed to provide reasonable protection against harmful interference in a residential installation. This equipment generates, uses and can radiate radio frequency energy and, if not installed and used in accordance with the instructions, may cause harmful interference to radio or television reception, which can be determined by turning the equipment off and on, the user is encouraged to try to correct the interference by one or more of the following measures:

- Reorient or relocate the receiving antenna.
- Increase the separation between the equipment and the receiver.

- Connect the equipment into an outlet on a circuit different from that to which the receiver is connected.
- Consult the dealer or an experienced radio/TV technician for help.

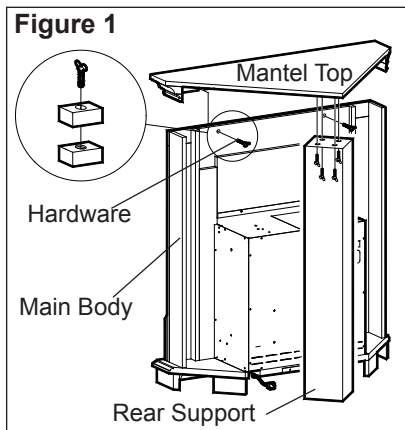
Operation is subject to the following two conditions: (1) this device may not cause interference and; (2) this device must accept any interference, including interference that may cause undesired operation of the device.



Installation

! NOTE: A 15 Amp, 120 Volt alternating current (VAC) circuit is required. A dedicated circuit is preferred but not essential in all cases. A dedicated circuit will be required if, after installation, the circuit breaker trips or fuse blows on a regular basis when the heater is operating. Additional appliances on the same circuit may exceed the current rating of the circuit breaker.

⚠ WARNING: Ensure the power cord is not installed so that it is pinched or against a sharp edge and ensure that the power cord is stored or secured to avoid tripping or snagging to reduce the risk of fire, electric shock or injury to persons.



⚠ WARNING: Construction and electrical outlet wiring must comply with local building codes and other applicable regulations to reduce the risk of fire, electric shock and injury to persons.

⚠ WARNING: Do not attempt to wire your own new outlets or circuits. To reduce the risk of fire, electric shock or injury to persons, always use a licensed electrician.

(No assembly required for the flat wall mantel)

Corner Mantel Assembly

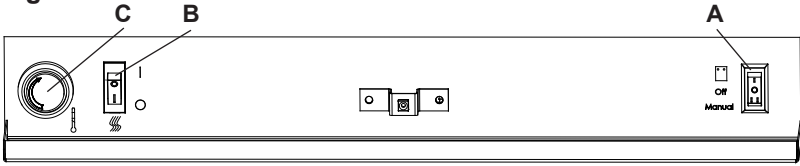
1. Assemble the top of the mantel to the rear support using the supplied hardware.
2. Using the supplied hardware assemble the top and rear support assembly to the main fireplace body (Figure 1).

Fireplace Installation

1. Make sure the unit's Main ON/OFF switch is switched OFF (refer to operating instruction section).
2. Plug the unit into a 15 Amp, 120 VAC outlet. If the cord does not reach, you may use a No. 14 AWG minimum size extension cord rated for a minimum of 1875 Watts.


Operation


Figure 2




To access the controls, swing down the front cover panel located on the lower front of the fireplace. (Figure 3)

A. Main Three Position ON/OFF Switch

The switch has two ON positions marked with  and "Manual". The "Manual" position is for manual operation. In this position the built-in remote control is bypassed.

The  position is for operating the unit with the provided remote control.

When in  position, the unit is operated with the ON and OFF buttons of the remote control.

When the switch is in the center position the unit is off.

B. Heater ON/OFF Switch

The Heater ON/OFF Switch supplies power to the heater fan and the heater element. When the switch is in the ON

position the heater operates if the thermostat calls for heat.

C. Heater Thermostat Control

To adjust the temperature to your individual requirements, turn the thermostat control clockwise all the way to turn on the heater. When the room reaches the desired temperature, turn the thermostat knob counter clockwise until you hear a click. Leave in this position to maintain the room temperature at this setting. For additional heat, turn clockwise until you hear the click again and the heater will turn on.

Resetting the Temperature Cutoff Switch

Should the heater overheat, an automatic cut out will turn the heater off and it will not come back on without being reset. It can be reset by switching the Main Three Position ON/OFF Switch to OFF and waiting 5

Operation

minutes before switching the unit back on.

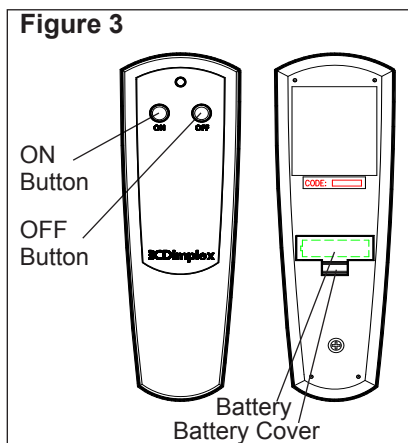
CAUTION: If you need to continuously reset the heater, unplug the unit and call technical support at 1-888-346-7539.

NOTE: The heater may emit a slight, harmless odor when first used. This odor is a normal condition caused by initial heating of internal heater parts and will not occur again.

Remote Control (Figure 3)

The fireplace is supplied with an integrated on/off remote control.

NOTE: Ensure that the fireplace 3 position switch is set to the remote control setting (up position).



To operate, push the ON button to turn fireplace on, push the OFF button to turn the fireplace off.

Remote Control Initialization/ Reprogramming

In the event that your remote control ceases to operate your fireplace, follow these steps to re-initialize the hand held transmitter and the remote control receiver in the fireplace:

1. Place the Three Position Switch (Figure 2A) in the Off ("O") position.
2. Wait a minimum of five (5) seconds and then place the Three Position Switch in the Remote Control ("II") position.
3. **Within 10 seconds** of changing the switch position, press the ON button located on the remote control transmitter (Figure 2).

This will synchronize the remote control transmitter and the fireplace receiver.

NOTE: You will have only 10 seconds to perform this last step. Failure to do so will result in these steps needing to be followed again.

Operation

Battery Replacement

(Figure 3)

To replace the battery:

1. Slide battery cover open on the hand held transmitter.
2. Correctly install one (1) 12 Volt (A23) battery in the battery holder.
3. Close the battery cover.



Maintenance

⚠ WARNING: Disconnect power before attempting any maintenance or cleaning to reduce the risk of fire, electric shock or damage to persons.

Light Bulb Replacement

Allow at least 5 minutes for light bulbs and heater to cool off before touching bulbs to avoid accidental burning of skin.

Light bulbs need to be replaced when you notice a dark section of the flame or when the clarity and detail of the log exterior disappears. There are two bulbs under the log set which generate the flames and embers.

Helpful Hints

It is a good idea to replace all

light bulbs at one time if they are close to the end of their rated life. Group replacement will reduce the number of times you need to open the unit to replace light bulbs.

Light Bulb Requirements

Quantity of 2 clear chandelier or candelabra bulbs with a J-12 (small) socket base, 60 Watt rating. Example GE 60BC or Philips 60 CTC.

Replacement:

1. Unplug the unit from power outlet.
2. On the back of the Compact Fireplace remove the screws from the light access cover (Figure 4).



Maintenance

3. Remove the light access cover.
4. Reach into the opening, locate and examine the bulbs to determine which bulb(s) require replacement.
5. Unscrew the bulb(s) counter clockwise.
6. Insert new bulb(s).
7. Install the light access cover and install the screws.

Glass Cleaning

The glass is cleaned in the factory during the assembly operation. During shipment, installation, handling, etc., the front glass panel may collect dust particles; these can be removed by dusting lightly with a clean dry cloth.

To remove fingerprints or other marks, the front glass panel can be cleaned with a damp cloth. The front glass panel should be completely dried with a lint free cloth to prevent water spots. To prevent scratching, do not use abrasive cleaners or spray liquids on the clear door surface.

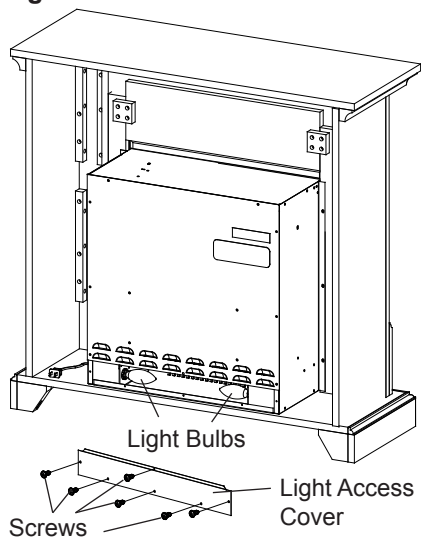
Compact Fireplace Surface Cleaning

Use warm water only to clean painted surfaces of the Compact Fireplace. Do not use abrasive cleaners.

Servicing

Except for light bulb replacement and cleaning described above, an authorized service representative should perform any other servicing.

Figure 4





Warranty

One Year Limited Warranty

Products to which this limited warranty applies

This limited warranty applies to your newly purchased Electralog electric compact fireplace. This limited warranty applies only to purchases made in any province of Canada *except* for Yukon Territory, Nunavut, or Northwest Territories or in any of the 50 States of the USA (and the District of Columbia) *except* for Hawaii and Alaska. This limited warranty applies to the original purchaser of the product only and is not transferable.

Products excluded from this limited warranty

Light bulbs are not covered by this limited warranty and are the sole responsibility of the owner/purchaser. Products purchased in Yukon Territory, Nunavut, Northwest Territories, Hawaii, or Alaska are not covered by this limited warranty. Products purchased in these States, provinces, or territories are sold AS IS without warranty or condition of any kind (including, without limitation, any implied warranties or conditions of merchantability or fitness for a particular purpose) and the entire risk of as to the quality and performance of the products is with the purchaser, and in the event of a defect the purchaser assumes the

entire cost of all necessary servicing or repair.

What this limited warranty covers and for how long

Products covered by this limited warranty have been tested and inspected prior to shipment and, subject to the provisions of this warranty, Electralog warrants such products to be free from defects in material and workmanship for a period of 12 months from the date of the first purchase of such product.

The limited 12 month warranty period also applies to any implied warranties that may exist under applicable law. Some jurisdictions do not allow limitations on how long an implied warranty lasts, so the above limitation may not apply to the purchaser.

What this limited warranty does not cover

This limited warranty does not apply to products that have been repaired (except by Electralog or its authorized service representatives) or otherwise altered. This limited warranty does further not apply to defects resulting from misuse, abuse, accident, neglect, incorrect installation, improper maintenance or handling, or operation with an incorrect power source.

What you must do to get service under this limited warranty

Warranty

Defects must be brought to the attention of Electralog Technical Service by contacting Electralog at 1-888-346-7539, or 1367 Industrial Road, Cambridge Ontario, Canada N1R 7G8. Please have proof of purchase, catalogue/model and serial numbers available when calling. Limited warranty service requires a proof of purchase of the product.

What Electralog will do in the event of a defect

In the event a product or part covered by this limited warranty is proven to be defective in material or workmanship during the 12 month limited warranty period you have the following rights:

- Electralog will in its sole discretion either repair or replace such defective product or part without charge. If Electralog is unable to repair or replace such product or part, or if repair or replacement is not commercially practicable or cannot be timely made, Electralog may, in lieu of repair or replacement, choose to refund the purchase price for such product or part.
- Limited warranty service will be performed solely by dealers or service agents of Electralog authorized to provide limited warranty services.
- The purchaser is responsible

for removal and transportation of such product or part (and any repaired or replacement product or part) to and from the authorized dealer's or service agent's place of business.

- This limited warranty does not entitle the purchaser to on-site or in-home services. On-site or in-home services may be performed at the purchaser's specific request and expense at Electralog's then-current rates for such services.
- Electralog will not be responsible for, and the limited warranty services shall not include, any expense incurred for installation or removal of the product or part (or any replacement product or part) or any labour or transportation costs. Such costs shall be the purchaser's responsibility.

What Electralog and its dealers and service agents are also not responsible for:

IN NO EVENT WILL ELECTRALOG, OR ITS DIRECTORS, OFFICERS, OR AGENTS, BE LIABLE TO THE PURCHASER OR ANY THIRD PARTY, WHETHER IN CONTRACT, IN TORT, OR ON ANY OTHER BASIS, FOR ANY INDIRECT, SPECIAL, PUNITIVE, EXEMPLARY, CONSEQUENTIAL,



Warranty

OR INCIDENTAL LOSS, COST, OR DAMAGE ARISING OUT OF OR IN CONNECTION WITH THE SALE, MAINTENANCE, USE, OR INABILITY TO USE THE PRODUCT, EVEN IF DIMPLEX OR ITS DIRECTORS, OFFICERS, OR AGENTS HAVE BEEN ADVISED OF THE POSSIBILITY OF SUCH LOSSES, COSTS OR DAMAGES, OR IF SUCH LOSSES, COSTS, OR DAMAGES ARE FORESEEABLE. IN NO EVENT WILL DIMPLEX, OR ITS OFFICERS, DIRECTORS, OR AGENTS BE LIABLE FOR ANY DIRECT LOSSES, COSTS, OR DAMAGES THAT EXCEED THE PURCHASE PRICE OF THE PRODUCT.

SOME JURISDICTIONS DO NOT ALLOW THE EXCLUSION OR LIMITATION OF INCIDENTAL OR CONSEQUENTIAL DAMAGES, SO THE ABOVE LIMITATION OR EXCLUSION MAY NOT APPLY TO THE PURCHASER.

How State and Provincial law apply

This limited warranty gives you specific legal rights, and you may also have other rights which vary from jurisdiction to jurisdiction. The provisions of the United Nations Convention on Contracts for the Sale of Goods shall not apply to this limited warranty or the sale of

products covered by this limited warranty.



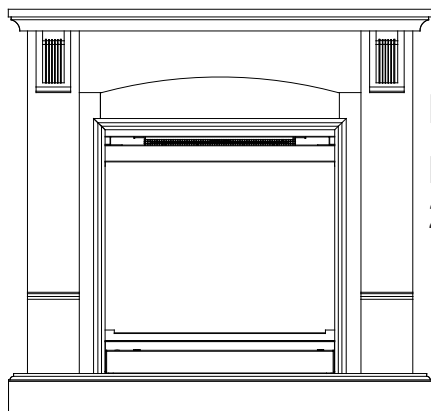
Replacement Parts

Log Set Assembly	0487550100RP
Flicker Motor	2000220100RP
Heater Assembly	2200490800RP
Thermostat	2300150100RP
Cutout	2300270100RP
3 Position On/Off Switch	2800071100RP
Heater On/Off Switch.	2800070200RP
Capacitor	3200030100RP
Cord Set	4100090100RP
Flicker Rod	5900340100RP
Mirror	5900620100RP
Front Glass	5900420100RP
Remote Control Transmitter	3000370800RP
Remote Control Reciever.	3000380200RP
Thermostat Knob.	8800000300RP
Light Wire Harness	2500170300RP



Electralog
1367 Industrial Road
Cambridge ON
Canada N1R 7G8

© 2011 Dimplex North America Limited



Manuel du propriétaire

Modèle








20" Compact

CONSIGNES DE SÉCURITÉ IMPORTANTES : Toujours lire le présent manuel avant d'essayer d'installer ou d'utiliser ce poêle. Pour votre sécurité, toujours respecter tous les avertissements et suivre les consignes de sécurité compris dans le présent manuel afin de prévenir les blessures ou les dommages matériels.

7207250100R05



Table des matières

 Bienvenue et félicitations.	3
 INSTRUCTIONS IMPORTANTES	4
 Installation du foyer compact	7
 Utilisation	8
 Entretien	11
 Garantie	13
 Pièces de rechange.	16

Toujours recourir aux services d'un technicien qualifié ou d'une entreprise de services de maintenance pour faire réparer ce poêle.

! NOTA : Marches à suivre et techniques considérées suffisamment importantes pour qu'on les souligne.

⚠ MISE EN GARDE : Marches à suivre et techniques dont le non-respect pourrait causer des dommages matériels.

⚠ AVERTISSEMENT : Marches à suivre et techniques qui, si elles ne sont pas bien respectées, exposeront l'utilisateur à des risques d'incendie, de blessure grave ou de décès.



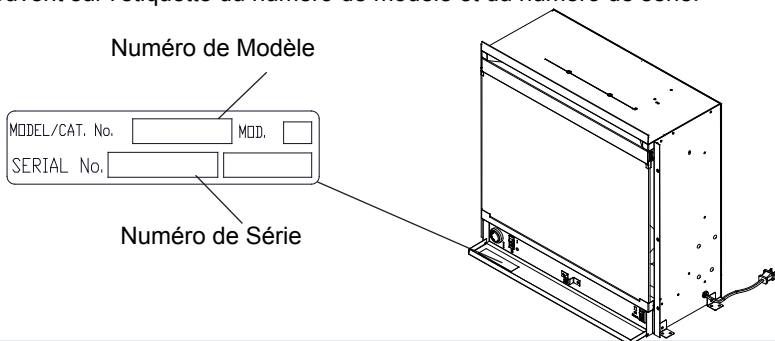
Bienvenue et félicitations

Merci et félicitations d'avoir acheté un foyer compact électrique de Electralog, le chef de file mondial en matière de chauffage électrique.

Lire ces consignes attentivement et les conserver.


⚠ MISE EN GARDE : Lire attentivement toutes les consignes et tous les avertissements avant de procéder à l'installation. Le non-respect de ces consignes pourrait entraîner un risque de choc électrique ou d'incendie et annuler la garantie.

Prendre en note le numéro de modèle et le numéro de série de l'appareil en vue d'une consultation ultérieure; les numéros de modèle et de série se trouvent sur l'étiquette du numéro de modèle et du numéro de série.



IL N'EST PAS NÉCESSAIRE D'ALLER AU MAGASIN

Des questions à propos de l'assemblage? Besoin d'information sur des pièces détachées? Besoin d'information à propos d'un produit sous une garantie du fabricant?

Contactez-nous au:  www.dimplex.com/customer_support
Pour le support Dépannage et assistance technique

OU



**Veillez téléphoner au numéro sans frais
1 888 346-7539**

Du lundi au vendredi de 8 h à 16 h 30 (HNE)

Veillez avoir à portée de main les numéros de modèle et de série de votre appareil. (Voir ci-dessous)

INSTRUCTIONS IMPORTANTES

- ① Lire toutes les instructions avant de se servir du foyer compact.
- ② L'appareil devient chaud lorsqu'il est en marche. Pour éviter les brûlures, ne pas toucher les surfaces chaudes. La bordure autour de la bouche de chaleur devient chaude lorsque les éléments chauffent. Garder à au moins 0,9 mètre (3 pi) de l'appareil tout matériel combustible : meubles, oreillers, literie, papier, vêtements et rideaux et garder également ce matériel combustible éloigné des côtés et de l'arrière de l'appareil.
- ③ Faire preuve d'une grande prudence lorsque l'appareil est utilisé par des enfants ou des personnes handicapées, s'il est en marche à proximité d'eux, ou s'il est en marche et laissé sans surveillance.
- ④ Toujours débrancher le foyer compact lorsqu'il ne sert pas.
- ⑤ Ne pas se servir de l'appareil si la fiche ou le cordon sont endommagés, si les éléments chauffants fonctionnent mal ou si le foyer compact est tombé ou est endommagé de quelque manière que ce soit. Pour le faire vérifier, pour faire effectuer une mise au point électrique ou mécanique, ou pour le faire réparer, communiquer avec un centre de service autorisé.
- ⑥ Ne pas utiliser à l'extérieur.
- ⑦ Le foyer compact n'est pas conçu pour être utilisé dans la salle de bain, la salle de lavage et autres endroits semblables à l'intérieur. Ne pas utiliser l'appareil à proximité d'une baignoire ou de tout autre réservoir d'eau dans lequel il pourrait tomber.
- ⑧ Éviter de passer le cordon sous un tapis. Ne pas couvrir le cordon de carpettes, de tapis de couloir ou autres. Éloigner le cordon des endroits passants et de tout endroit où une personne pourrait tomber en s'accrochant dans le fil.
- ⑨ Pour débrancher le foyer, éteindre l'appareil avant de retirer la fiche de la prise de courant.
- ⑩ Ne pas introduire d'objets dans la prise d'air de ventilation ou la bouche de sortie d'air, car cela pourrait causer des chocs électriques, provoquer un incendie ou endommager les éléments chauffants.
- ⑪ Pour éviter les incendies, ne pas obstruer l'entrée ou la sortie



MISE EN GARDE
RISQUE DE CHOC ÉLECTRIQUE - NE PAS OUVRIR
AUCUNE PIÈCE DONT L'ENTRETIEN PEUT ÊTRE EFFECTUÉ
PAR L'UTILISATEUR NE SE TROUVE À L'INTÉRIEUR





INSTRUCTIONS IMPORTANTES

d'air d'aucune façon. Ne pas faire fonctionner l'appareil sur une surface molle pouvant obstruer l'entrée ou la sortie d'air, telle qu'un lit.

⑫ Tous les appareils chauffants électriques contiennent des pièces qui peuvent produire des décharges et des étincelles. Ne pas faire fonctionner dans des endroits où de l'essence, de la peinture et autres produits inflammables sont utilisés ou rangés, ou s'il y a exposition à des vapeurs inflammables.

⑬ Ne pas apporter de modifications à ce foyer. Se servir du foyer uniquement de la façon décrite dans le présent guide. Toute autre utilisation non recommandée par le fabricant peut provoquer un incendie, occasionner des chocs électriques ou blesser quelqu'un.

⑭ Afin de réduire les risques de chocs électriques, cet appareil dispose d'une fiche polarisée (l'une des broches est plus large que l'autre). La fiche se branche dans une prise polarisée dans un sens seulement. Si la fiche ne rentre pas complètement dans la prise, tourner la fiche. Si la fiche ne rentre toujours

pas, communiquer avec un électricien qualifié pour installer une prise adéquate. Ne pas tenter de changer la fiche. S'il est nécessaire d'utiliser une rallonge, s'assurer que celle-ci soit de calibre minimal de 14 AWG et de puissance nominale d'au moins 1875 watts.

⑮ Ne pas brûler de bois ni d'autres matériaux dans ce foyer compact.

⑯ Ne pas heurter la vitre frontale du foyer.

⑰ Toujours faire appel à un électricien certifié pour l'installation de nouveaux circuits ou de nouvelles prises de courant.

⑱ Toujours se servir de prises correctement mises à la terre, polarisées et protégées.

⑲ Fermer toute source d'alimentation électrique de l'appareil avant de le nettoyer, de le réparer ou de le déplacer.

⑳ Lors du transport ou de l'entreposage de l'appareil, le conserver dans un endroit sec et à l'abri de vibrations excessives, et le ranger pour éviter qu'il ne s'endommage

CONSERVER CES INSTRUCTIONS

INSTRUCTIONS IMPORTANTES

! NOTA : Cet appareil a été testé et jugé conforme aux limites autorisées pour un dispositif numérique de classe B, en vertu de la partie 15 des règlements de la FCC. Ces limites visent à offrir une protection raisonnable contre les interférences nuisibles dans une installation résidentielle. Ce produit génère, utilise et peut émettre de l'énergie radioélectrique. S'il n'est pas installé et utilisé selon les instructions, il peut causer des interférences nuisibles à la réception des signaux de radio ou de télévision, ce qui peut être vérifié en mettant le commutateur de l'appareil en position de marche puis d'arrêt. Nous recommandons à l'utilisateur de tenter d'éliminer les interférences à l'aide d'une ou de plusieurs des mesures suivantes:

- Changer l'orientation ou l'emplacement de l'antenne réceptrice.
- Augmenter la distance entre l'appareil et le récepteur.
- Brancher l'appareil dans une prise ou sur un circuit autre que celui où le récepteur est branché.
- Consulter le détaillant ou un technicien radio/télévision expérimenté pour obtenir de l'aide.

L'utilisation de l'appareil est assujettie aux deux conditions suivantes: (1) L'appareil ne doit pas causer d'interférences et (2) L'appareil doit accepter toute interférence captée, y compris les interférences susceptibles de causer un fonctionnement indésirable de l'appareil.

Installation du foyer compact

! NOTA : Un circuit de 15 ampères et de 120 volts en courant alternatif (c.a.) est requis. Un circuit spécifique est préférable, mais pas toujours essentiel. Un circuit spécifique sera nécessaire si, après l'installation, le disjoncteur se déclenche ou si le fusible saute régulièrement lorsque le foyer est utilisé. L'ajout d'appareils sur le même circuit que le foyer peut dépasser le courant nominal du disjoncteur.

⚠ AVERTISSEMENT : Veiller à ce que le cordon d'alimentation ne soit ni coincé ni disposé contre un bord tranchant, mais rangé ou placé de façon à éviter tout risque d'accrochage susceptible

de causer un incendie, des chocs électriques ou des blessures.

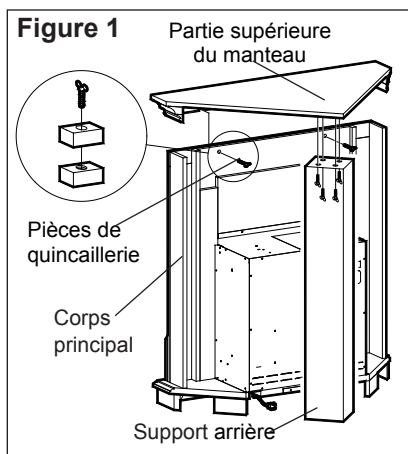
Afin de réduire les risques d'incendie, de chocs électriques et de blessures, tous les travaux de construction et de câblage électrique doivent être conformes au Code du bâtiment et aux autres règlements qui s'appliquent.

Ne pas tenter d'installer soi-même des prises ou des circuits. Pour éviter les risques d'incendie, de chocs électriques ou de blessures, toujours faire appel à un électricien diplômé.

(Aucun assemblage requis pour le manteau plat)

Assemblage du manteau en coin

1. Assembler la partie supérieure du manteau sur le support arrière à l'aide des pièces de quincaillerie fournies.
2. À l'aide des pièces de quincaillerie fournies, fixer la partie supérieure du manteau et le support arrière sur le corps principal du foyer (Figure 1).



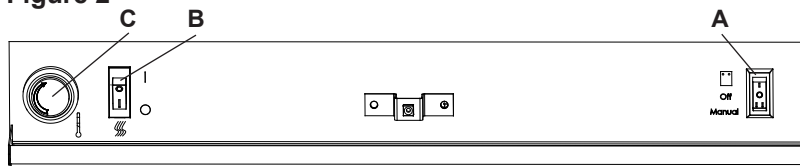
Installation du foyer compact

Installation du foyer compact

1. Veiller à ce que l'interrupteur principal «MARCHE/ARRÊT» (ON/OFF) de l'appareil soit en position «ARRÊT» (OFF) (voir la section Utilisation).
2. Brancher l'appareil dans une prise de 15 A/120 V. Si le cordon est trop court, utiliser une rallonge à puissance minimale de 1875 watts, de calibre minimal de 14 AWG.




Utilisation

Figure 2



Pour accéder aux commandes, basculer le panneau avant situé sur la partie inférieure avant du foyer (se référer au schéma ci-dessous). (Figure 3)

A. Interrupteur à trois positions MARCHE/ARRÊT (ON/OFF)

L'interrupteur est muni de deux positions MARCHE (ON), indiquées par  et par « Manuel » (Manual). La position « Manuel » sert à l'utilisation manuelle. Dans cette position, la télécommande ne fonctionne pas. La position  sert à utiliser l'appareil à l'aide de la télécommande fournie. Quand l'appareil est en position , il

fonctionne au moyen des boutons « MARCHE » (ON) et « ARRÊT » (OFF) de la télécommande. Quand l'interrupteur est au centre, l'appareil est éteint.

B. Interrupteur du chauffage

L'Interrupteur de chauffage « MARCHE/ARRÊT » (ON/OFF) alimente le ventilateur du radiateur et l'élément chauffant. La position « MARCHE » (ON) permet d'activer le chauffage si le thermostat le demande.

C. Commande du thermostat

Pour régler la température en fonction de vos besoins, tourner

Utilisation

le bouton du thermostat jusqu'au bout dans le sens horaire pour mettre en marche l'élément chauffant. Lorsque la température désirée est atteinte dans la pièce, tourner le bouton du thermostat dans le sens antihoraire jusqu'à ce qu'un déclic se fasse entendre. Garder cette position pour maintenir la température au réglage désiré. Pour augmenter la chaleur, tourner le bouton dans le sens horaire jusqu'à ce que le déclic se fasse entendre de nouveau. L'élément chauffant se mettra en marche.

Réarmement du disjoncteur du circuit de la température

En cas de surchauffe, un interrupteur éteindra automatiquement l'appareil, qui ne pourra être remis en marche tant que le disjoncteur n'aura pas été réenclenché. Le réenclenchement de l'appareil s'effectue en mettant l'interrupteur d'alimentation principale « MARCHÉ/ARRÊT » (ON/OFF) en position « ARRÊT » (OFF) et en attendant 5 minutes avant de le remettre en position « MARCHÉ » (ON).

⚠ MISE EN GARDE : S'il est nécessaire de réarmer

constamment l'appareil, le débrancher et communiquer avec le Service à la clientèle au 1 888 346-7539.

! NOTA : Les éléments chauffants peuvent dégager une légère odeur inoffensive pendant la première utilisation, car ils chauffent pour la première fois. Cette situation est normale et ne devrait plus se produire par la suite.

Télécommande (Figure 4)

Le foyer est muni d'une télécommande intégrée.

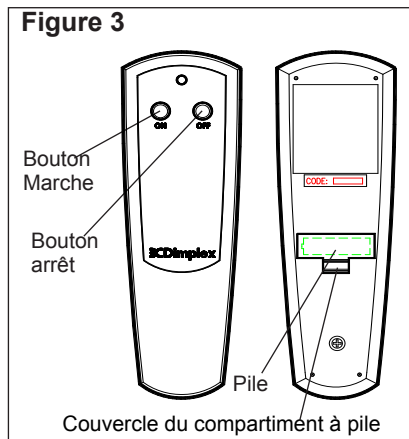
! NOTA : S'assurer que l'interrupteur à trois positions du foyer est en mode **Télécommande (position du haut)**.

Pour activer le foyer, appuyer sur le bouton « MARCHÉ » (ON); pour le désactiver, appuyer sur le bouton « ARRÊT » (OFF).

Initialisation / Reprogrammer télécommande

Si la télécommande ne permet plus de faire fonctionner votre foyer, veuillez suivre les étapes suivantes pour réinitialiser la télécommande portative et le récepteur de la télécommande à

Figure 3



l'intérieur du foyer :

1. Placer l'interrupteur principal à trois positions (Figure 2A) à la position « Arrêt » (« O »).
2. Attendre au moins cinq (5) secondes, puis placer l'interrupteur principal à trois positions à la position « Télécommande » (« II »).
3. **Moins de 10 secondes** après avoir effectué ce changement, appuyer sur la touche **ON** située sur l'émetteur de la télécommande (Figure 3).

L'émetteur de la télécommande et le récepteur du foyer seront ainsi synchronisés.

! NOTA : Cette dernière étape doit être effectuée en moins

de 10 secondes. Dans le cas contraire, toutes ces étapes devront être effectuées de nouveau.

Reemplacement de la pile (Figure 3)

Pour remplacer la pile :

1. Ouvrir le compartiment à pile situé sur la télécommande portable.
2. Installer correctement une pile de 12 volts (A23) dans le compartiment à pile.
3. Refermer le couvercle du compartiment.



Entretien

⚠ AVERTISSEMENT :

Débrancher le foyer avant d'en effectuer l'entretien ou le nettoyage afin de réduire les risques d'incendie, de chocs électriques ou de blessures.

Remplacement des ampoules électriques

Laisser les ampoules refroidir au moins 5 minutes avant de les toucher pour éviter de vous brûler.

Les ampoules électriques doivent être remplacées lorsqu'il y a une zone sombre dans les flammes ou quand la clarté et les détails de l'extérieur de la bûche s'amenuisent. Il y a deux ampoules situées sous la bûche, qui produisent l'effet de flammes et de braises.

Conseils utiles

Il est préférable de remplacer toutes les ampoules à la fois si elles approchent de la fin de leur durée de vie. Cela vous permettra d'éviter d'avoir à ouvrir plusieurs fois le foyer pour remplacer des ampoules.

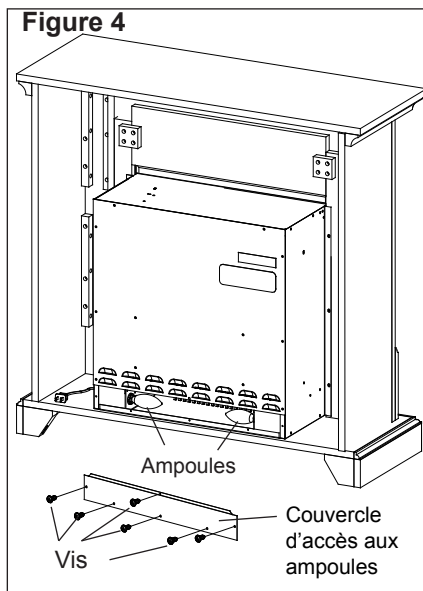
Ampoules requises

Deux ampoules transparentes de style chandelier ou candélabre

à culot E-12 (petit) de 60 watts.
Exemple : GE 60BC ou Philips 60 CTC.

Pour remplacer les ampoules

1. Débrancher l'appareil de la prise de courant.
2. À l'arrière du foyer compact, retirer les vis du couvercle d'accès aux ampoules.
3. Retirer le couvercle d'accès aux ampoules.
4. Insérer la main dans le logement des ampoules, repérer et examiner





Entretien

les ampoules pour déterminer celles qui doivent être remplacées.

5. Dévisser les ampoules dans le sens antihoraire.
6. Installer de nouvelles ampoules.
7. Remplacer le couvercle d'accès aux ampoules et remettre les vis.

Nettoyage de la vitre

La porte vitrée a été nettoyée à l'usine, lors de l'assemblage. Cependant, pendant le transport, l'installation, la manipulation, etc., la porte vitrée peut se couvrir de particules de poussière. Pour les faire disparaître, épousseter la vitre à l'aide d'un chiffon propre et sec.

Pour enlever les empreintes digitales ou autres marques, la porte vitrée peut être nettoyée avec un chiffon humide. Pour prévenir les taches d'eau, les vitres doivent être entièrement asséchées à l'aide d'un chiffon non pelucheux. Pour prévenir les rayures, ne pas utiliser de nettoyeurs abrasifs et ne pas vaporiser de produits liquides sur la surface de la porte vitrée.

Nettoyage de la surface du foyer compact

Nettoyer les surfaces peintes du foyer compact avec de l'eau tiède seulement. Ne pas utiliser de nettoyeurs abrasifs.

Entretien

Outre le remplacement des ampoules et le nettoyage décrits ci-dessus, tout entretien du foyer compact doit être effectué par un représentant en service autorisé.



Garantie

Garantie limitée d'un an

Produits visés par cette garantie limitée

La présente garantie limitée couvre votre nouveau foyer électrique compact Electralog. Cette garantie limitée ne s'applique qu'aux achats effectués dans l'une des provinces du Canada, à l'exception du Yukon, du Nunavut ou des Territoires du Nord-Ouest, ou effectués dans l'un ou l'autre des 50 États des États-Unis (et du District de Columbia) à l'exception de Hawaï et de l'Alaska. Cette garantie limitée s'applique uniquement à l'acheteur original du produit et ne peut être transférée.

Produits non couverts par cette garantie limitée

Les ampoules ne sont pas couvertes par cette garantie limitée et sont la responsabilité exclusive du propriétaire/de l'acheteur. Les produits achetés au Yukon, au Nunavut, dans les Territoires du Nord-Ouest, à Hawaï ou en Alaska ne sont pas couverts par cette garantie limitée. Les produits achetés dans ces provinces, États ou territoires sont vendus TELS QUELS sans quelque garantie ou condition que ce soit (y compris, notamment, les garanties ou conditions implicites de qualité marchande ou de convenance à un usage particulier), et l'acheteur assume tous les risques quant à la

qualité et au rendement des produits. De plus, en cas de défectuosité, l'acheteur devra assumer la totalité des frais de tout entretien ou de toute réparation nécessaire.

Couverture et durée de cette garantie limitée

Les produits couverts par cette garantie limitée ont été testés et inspectés avant leur expédition. Sous réserve des dispositions de la présente garantie, Electralog garantit lesdits produits contre les vices de matériau et de fabrication pendant une période de 12 mois après la date de l'achat initial desdits produits.

La période de garantie limitée de 12 mois s'applique également à toute garantie implicite pouvant exister en vertu des lois applicables. Mais comme certaines juridictions ne permettent pas que des limites soient appliquées à la durée d'une garantie implicite, il se peut que les limitations ci-dessus ne s'appliquent pas à l'acheteur.

Ce que cette garantie limitée ne couvre pas

Cette garantie limitée ne s'applique pas aux produits qui ont été réparés (sauf par Electralog ou ses représentants de service autorisés) ou autrement modifiés. Elle ne couvre pas non plus les défectuosités résultant d'un mauvais usage, d'un usage abusif, d'un accident,



Garantie

de négligence, d'une mauvaise installation, d'une manipulation ou d'un entretien inadéquat, ou de l'utilisation avec une source de courant inadéquate.

Ce que vous devez faire pour vous prévaloir du service dans le cadre de cette garantie limitée

Veuillez signaler les défauts au Service technique de Electralog en communiquant avec Electralog au 1 888 346-7539, ou au 1367 Industrial Road, Cambridge, Ontario, Canada N1R 7G8. Au moment d'appeler Electralog, ayez à portée de la main une preuve d'achat, ainsi que les numéros de catalogue, de modèle et de série du produit défectueux. Vous devez avoir une preuve d'achat du produit pour vous prévaloir du service dans le cadre de la garantie limitée.

Ce que Electralog fera en cas de défectuosité

S'il s'avère qu'un produit ou qu'une pièce couverte par cette garantie limitée présente effectivement un vice de matériau ou de fabrication pendant la période de garantie limitée de 12 mois, vous aurez alors les droits suivants :

- Electralog pourra, au lieu d'effectuer la réparation ou le remplacement, décider de rembourser le prix d'achat de ladite pièce ou dudit produit.
- Si Electralog est incapable de réparer ou de remplacer ladite pièce ou ledit produit, ou si la réparation ou le remplacement n'est pas commercialement possible, ou ne peut être fait rapidement, Electralog pourra, au lieu d'effectuer la réparation ou le remplacement, décider de rembourser le prix d'achat de ladite pièce ou dudit produit.
- Le service sous garantie limitée sera dispensé uniquement par des dépositaires ou agents de service Electralog autorisés à dispenser des services sous garantie limitée.
- L'acheteur sera responsable de tous les frais engagés pour le retrait et le transport desdits produits ou pièces (et de la pièce réparée ou de rechange, ou du produit réparé ou de rechange) aller-retour à la place d'affaires du dépositaire ou de l'agent de service autorisé.
- Cette garantie limitée ne donne pas droit à l'acheteur à des services sous garantie sur place ou à domicile. Des services sur place ou à domicile sont offerts à la demande expresse et aux frais de l'acheteur, au tarif en vigueur que facture Electralog pour de tels services.
- Electralog n'est pas responsable de tous frais engagés pour



Garantie

l'installation ou le retrait de ces produits ou de toute pièce de ces produits (ou de tout produit ou de toute pièce de rechange) ou de tous frais liés à la main-d'œuvre ou au transport, et la présente garantie limitée ne les couvre pas non plus. Ces frais sont la responsabilité de l'acheteur.

Autres exclusions à la responsabilité de Electralog et de ses dépositaires et agents de service :

ELECTRALOG, SES GESTIONNAIRES, SES ADMINISTRATEURS OU SES AGENTS NE POURRONT EN AUCUN CAS ÊTRE TENUS RESPONSABLES ENVERS L'ACHETEUR OU TOUTE AUTRE TIERCE PARTIE, EN VERTU D'UN CONTRAT, D'UN ACTE DÉLICTEUX OU SUR TOUTE AUTRE BASE, DE COÛTS, DE PERTES OU DE DOMMAGES INDIRECTS, SPÉCIAUX, PUNITIFS, EXEMPLAIRES OU ACCESSOIRES DÉCOULANT DIRECTEMENT OU INDIRECTEMENT DE LA VENTE, DE L'ENTRETIEN, DE L'UTILISATION OU DE L'INCAPACITÉ D'UTILISATION DU PRODUIT, MÊME SI ELECTRALOG, SES GESTIONNAIRES, SES ADMINISTRATEURS OU SES AGENTS ONT ÉTÉ INFORMÉS DE LA POSSIBILITÉ DE TELS COÛTS, PERTES OU DOMMAGES,

OU SI LESDITS COÛTS, PERTES OU DOMMAGES SONT PRÉVISIBLES. ELECTRALOG, SES GESTIONNAIRES, SES ADMINISTRATEURS OU SES AGENTS NE POURRONT EN AUCUN CAS ÊTRE TENUS RESPONSABLES DE COÛTS, DE PERTES OU DE DOMMAGES DIRECTS QUI DÉPASSENT LE PRIX D'ACHAT DU PRODUIT.

CERTAINES JURIDICTIONS NE PERMETTENT PAS QUE DES EXCLUSIONS OU LIMITATIONS AUX DOMMAGES INDIRECTS OU ACCESSOIRES SOIENT APPLIQUÉES. IL SE POURRAIT DONC QUE LES EXCLUSIONS ET LIMITATIONS CI-DESSUS NE S'APPLIQUENT PAS À L'ACHETEUR.

Comment les lois provinciales et d'État s'appliquent

Cette garantie limitée vous confère des droits juridiques précis, et il se peut que vous ayez d'autres droits qui varient d'une juridiction à l'autre. Les dispositions de la Convention des Nations unies sur les contrats de vente de biens ne s'appliquent pas à cette garantie limitée ou à la vente de produits couverts par cette garantie limitée.



Pièces de rechange

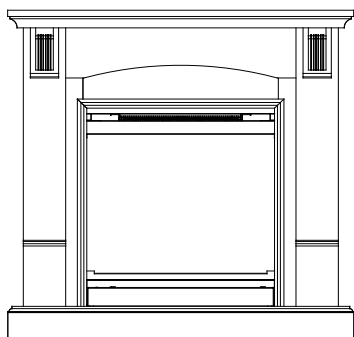
Ensemble de bûches	0487550100RP
Moteur de l'effet de flamme	2000220100RP
Assemblage du ventilateur	2200490800RP
Thermostat	2300150100RP
Découpe	2300270100RP
Interrupteur a trois positions	2800071100RP
Interrupteur Marche/Arrêt du radiateur	2800070200RP
Condensateur	3200030100RP
Cordon d'alimentation	4100090100RP
Tige de vacillement	5900340100RP
Miroir	5900620100RP
Panneau de vitre avant	5900420100RP
Émetteur pour la Télécommande	3000370800RP
Récepteur pour la Télécommande	3000380200RP
Bouton de commande	8800000300RP
Faisceau de câbles de la douille	2500170300RP



Electralog
1367 Industrial Road
Cambridge ON
Canada N1R 7G8



© 2011 Dimplex North America Limited



Manual del propietario

Modelo








20" Compact

INFORMACIÓN DE SEGURIDAD IMPORTANTE: Lea este manual antes de intentar instalar o usar este calentador de aire. Para su seguridad, tome en cuenta todas las advertencias e instrucciones de seguridad de este manual para evitar lesiones corporales o daños materiales.

7207250100R05



Índice

 Bienvenido y felicitaciones	3
 INSTRUCCIONES IMPORTANTES	4
 Instalación de el calentador de aire	7
 Operación	8
 Mantenimiento	11
 Garantía	13
 Piezas de recambio	16

Siempre llame a un técnico calificado o use los servicios de una agencia de servicio para reparar este calentador de aire.

! NOTA: Procedimientos y técnicas que se considera importante destacar.

! PRECAUCIÓN: En caso de no seguir los procedimientos y técnicas cuidadosamente, se dañará el equipo.

! ADVERTENCIA: Procedimientos y técnicas que, en caso de no seguirse cuidadosamente, expondrán al usuario a riesgo de incendio, lesión grave o muerte.



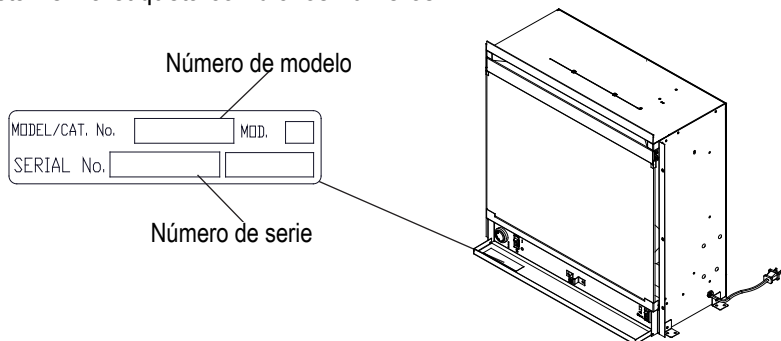
Bienvenido y felicitaciones

Felicidades y gracias por la compra de una compacta Electralog chimenea eléctrica, el líder mundial en calefacción eléctrica

Lea con atención y guarde estas instrucciones.

⚠ PRECAUCIÓN: Lea todas las instrucciones y advertencias con atención antes de comenzar la instalación. En caso de no hacerlo, puede ocurrir una descarga eléctrica o un incendio y se anulará la garantía.

Registre sus números de modelo y de serie a continuación, en caso de que necesite consultarlos después. Los números de modelo y de serie están en la etiqueta con dichos números.



O ES NECESARIO REGRESAR A LA TIENDA

¿Tiene alguna pregunta sobre el ensamblaje? ¿Necesita información sobre las piezas? ¿El producto está bajo garantía del fabricante?

Contactenos:  www.dimplex.com/customer_support
Para Solucionar problemas y Soporte tecnico



Llame sin cargo al 1-888-346-7539

lunes a viernes, 8:00 a.m. a 4:30 p.m., hora del Este.

Tenga el número de modelo y el número de serie del producto a la mano. (Vea arriba)



INSTRUCCIONES IMPORTANTES

- ① Lea todas las instrucciones antes de usar este calentador de aire.
- ② El calentador de aire se pone caliente al usarlo. Para evitar quemaduras, no toque las superficies calientes con la piel al aire. El adorno situado alrededor de la salida de aire del calentador de aire se calienta durante su funcionamiento. Mantenga los materiales combustibles, como el mobiliario, almohadas, ropa de cama, papeles, ropa y cortinas alejados al menos 3 pies (0,9 m) de la parte delantera del aparato y manténgalos alejados de los laterales y la parte trasera.
- ③ Hay que extremar la precaución cuando se use cualquier calentador de aire cerca de los niños o inválidos o bien sean ellos quienes lo manejen y siempre que se deje el aparato en funcionamiento y sin vigilancia.
- ④ Desenchufe siempre el calentador de aire cuando no se esté usando.
- ⑤ No haga funcionar ningún aparato con un cable o enchufe dañado, ni si el calentador de aire funciona mal ni si se ha caído o presenta cualquier daño. Devuelva el calentador de aire a un servicio de asistencia técnica autorizado para su examen, regulación eléctrica o mecánica, o reparación.
- ⑥ No lo use a la intemperie.
- ⑦ El calentador de aire no se ha diseñado para uso en baños, zonas de lavado y recintos similares. No coloque el calentador de aire en aquellos sitios donde pueda caer en una bañera o en cualquier otro recipiente de agua.
- ⑧ No coloque el cable por debajo de las alfombras. No cubra el cable con esteras, alfombrillas o artículos similares. Sitúe el cable alejado de las zonas de paso y en donde no se tropiece.
- ⑨ Para desconectar el calentador de aire, apague los controles y, luego, desenchufe el aparato.
- ⑩ No introduzca ni deje que entren cuerpos extraños en los orificios de ventilación o escape ya que ello puede provocar una descarga eléctrica o un incendio, o bien deteriorar el calentador de aire.
- ⑪ Para evitar cualquier posible incendio, no bloquee las entradas ni la salida de aire bajo ningún concepto. No lo utilice en superficies



PRECAUCIÓN
RIESGO DE DESCARGA ELÉCTRICA - NO ABRIR
NO CONTIENE PARTES QUE EL USUARIO
PUEDA REPARAR





INSTRUCCIONES IMPORTANTES

blandas, como en una cama, en la que puedan bloquearse las aberturas.

⑫ Todos los calentadores eléctricos de aire tienen dentro piezas calientes o que provocan chispas o arcos eléctricos. No use su calentador en zonas en las que se empleen o almacenen gasolina, pintura o líquidos inflamables o donde el aparato quede expuesto a vapores inflamables.

⑬ No modifique el calentador de aire. Úselo tal como se describe en el presente manual. Cualquier otro uso que no haya sido recomendado por el fabricante puede causar un incendio, una descarga eléctrica o lesiones a las personas.

⑭ Este aparato tiene un enchufe polarizado (una pata es más ancha que la otra) para reducir el riesgo de descarga eléctrica. El enchufe encaja sólo en una posición en una toma de corriente polarizada. Si el enchufe no encaja bien en la toma, invierta su posición. Si aun así no encaja, acuda a un electricista cualificado para que instale la toma de corriente adecuada. No cambie el enchufe bajo ningún concepto. Evite el uso

de una alargadera. Los cables tipo alargadera pueden recalentarse y provocar un incendio. Si no le queda más remedio que usar una alargadera, el cable debe ser del N° 14 AWG de capacidad y para una potencia nominal no menor de 1.875 W.

⑮ No queme madera ni otros materiales en el calentador de aire compacto.

⑯ No golpee el frente del cristal.

⑰ Acuda siempre a un electricista homologado en el caso de que le hagan falta nuevos circuitos o tomas.

⑱ Use siempre enchufes polarizados, bien puestos a tierra y dotados de fusibles.

⑲ Desconecte todas las fuentes de energía antes de realizar cualquier limpieza, mantenimiento o cambio de sitio del calentador de aire.

⑳ Cuando se transporten o almacenen el aparato y el cable, manténgalos en un sitio seco, libre de vibraciones excesivas, y almacenado de modo que

GUARDE ESTAS INSTRUCCIONES



INSTRUCCIONES IMPORTANTES

! NOTA: Este aparato ha sido ensayado y encontrado conforme con las exigencias de los aparatos digitales de Clase B, ajustándose al apartado 15 de las Normas FCC. Estas exigencias se han establecido para proporcionar una protección razonable contra las interferencias dañinas en una instalación residencial. Este aparato emite y emplea energía de radiofrecuencia y si no se instala y usa de acuerdo con estas instrucciones, puede provocar interferencias nocivas a la recepción de la radio y de la televisión, que se pueden saber si se enciende o apaga el aparato; se insta al usuario a corregir dichas interferencias adoptando una o más de las medidas siguientes:

- Reorientar o resituar la antena receptora.
- Aumentar la separación entre el aparato y el receptor.
- Conectar el aparato a una toma de corriente o circuito diferente de aquel al que está conectado el receptor.

- Si necesita ayuda, consulte al distribuidor o a un técnico de radio o televisión.

El funcionamiento está sujeto a las dos condiciones siguientes: (1) el aparato puede que no cause interferencias y (2) el aparato puede aceptar cualquier interferencia, incluyendo la que pudiera cuasar el funcionamiento del aparato.



Instalación de el calentador de aire

! NOTA: Hace falta un circuito de corriente alterna de 120 V y 15 A. Es preferible disponer de un circuito exclusivo, pero no resulta esencial en todos los casos. Hará falta un circuito exclusivo si, después de la instalación, el disyuntor salta o se funden los fusibles con cierta frecuencia al poner en marcha el calentador. El enchufar otros aparatos en el mismo circuito puede superar la corriente nominal del disyuntor.

⚠ ADVERTENCIA: Asegúrese de que al montar el cable de alimentación, éste no queda atrapado ni apoyado contra aristas vivas y cerciórese de que el está bien guardado o sujeto para evitar tropiezos o enganchones y reducir así el riesgo de incendio, descarga eléctrica o lesiones a las personas.

El cableado eléctrico de la toma debe cumplir con las ordenanzas de construcción municipales y con la demás reglamentación aplicable a fin de reducir el riesgo de incendio, descarga eléctrica y lesiones.

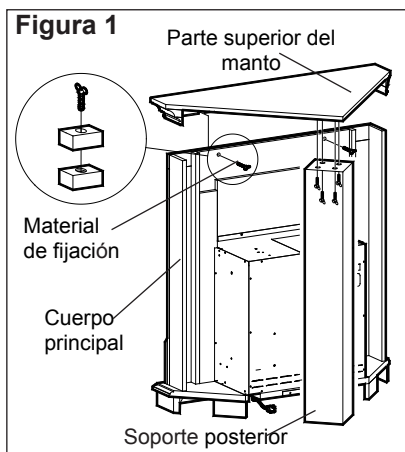
No intente cablear usted mismo los nuevos circuitos o tomas.

Para reducir el riesgo de incendio, descarga eléctrica o lesiones, acuda siempre a un electricista homologado.

(El manto plano no requiere ensamblaje)

Ensamblaje del manto de esquina

1. Ensamble la parte superior del manto utilizando el material de fijación que se proporciona para fijarla al soporte posterior.
2. Utilizando el material de fijación que se proporciona, ensamble el conjunto de la parte superior y el soporte posterior al cuerpo principal del calentador(Figura 1).





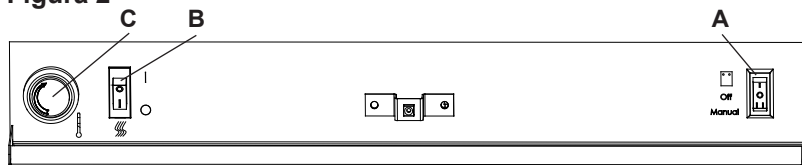
Instalación de el calentador de aire

Instalación del calentador de aire compacto

1. Asegúrese de que el Interruptor Principal de ENCENDIDO/APAGADO (ON/OFF) del aparato está en posición de apagado (consulte el apartado de Funcionamiento).
2. Enchufe el aparato a una toma de corriente de 15 A/120 V. Si no llega el cable, puede usar una alargadera de calibre mínimo nº 14 AWG dimensionada para un mínimo de 1875 W.

👉 Operación

Figura 2



Para tener acceso a los controles, baje el panel de acceso delantero que se encuentra en la parte delantera inferior del calentador de aire (consulte el diagrama siguiente). (Figura 3)

A. Interruptor de tres posiciones principal de ENCENDIDO y APAGADO (ON/OFF)

El interruptor tiene dos posiciones ON marcadas con ☐ y "Manual". La posición "Manual" es para funcionamiento manual. En esta

posición, está puentado el control remoto integrado.

La posición ☐ es para que la unidad funcione con el control remoto suministrado.

Cuando el aparato está en la posición ☐, funciona con los botones de ENCENDIDO (ON) y APAGADO (OFF) del control remoto.

Cuando el interruptor está en la posición central, el aparato está apagado.

👉 Operación

B. 🌀 Interruptor de encendido del calentador

El Interruptor de encendido del calentador activa el ventilador del calefactor y el elemento calefactor. Cuando el mando está activado, en la posición **ON**, el calefactor funciona si el termostato se lo ordena.

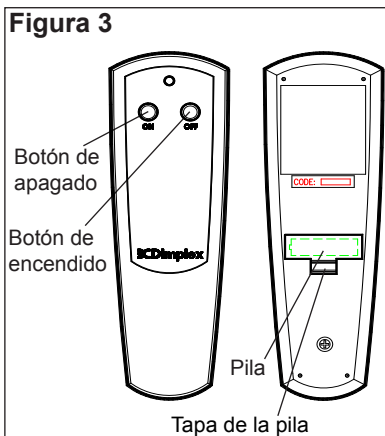
C. 🌡 Control del termostato del calentador

Para regular la temperatura a su gusto, gire el mando del termostato a tope, en sentido horario, para encender el calentador de aire. Cuando la habitación haya alcanzado la temperatura deseada, gire el mando del termostato en sentido antihorario hasta que oiga un clic. Déjelo en esta posición para mantener la temperatura ambiente a este valor. Si desea una temperatura mayor, gire el termostato en sentido horario hasta que oiga de nuevo un clic y el calefactor se encienda.

Reajuste del interruptor de corte de la temperatura

En el caso de que el calefactor caliente de más, un mando automático apagará el calefactor

Figura 3



y no entrará de nuevo si no se rearma. Se puede reiniciar poniendo el interruptor principal de mando en **OFF** y esperando 5 minutos antes de ponerlo en **ON**.

⚠ PRECAUCIÓN: Si tiene que reiniciar continuamente el calentador de aire, desenchúfelo y llame al Servicio Técnico en el 1-888-346-7539.

! NOTA: El elemento calefactor puede emitir un ligero olor, no nocivo, cuando se use por primera vez. Este olor es normal y está causado por el calentamiento inicial de las piezas del calefactor interno y no se volverá a producir.

Operación

Control Remoto (Figura 3)

El calentador de aire se uministra con un telecontrol de Encendido/ Apagado integrado.

! NOTA: Asegúrese de que el conmutador de 3 posiciones del calentador de aire está puesto en la posición “remoto”. Ajuste del control (posición hacia arriba)

Para encender el calentador de aire, pulse el botón de Encendido (ON) y para apagarlo pulse el de Apagado (OFF).

Inicializar / Reprogramar mando a distancia

Si el mando a distancia ya no hace funcionar el calentador de aire, siga los pasos siguientes para volver a inicializar el transmisor del mando a distancia y el receptor localizado en el calentador:

1. Coloque el interruptor de tres posiciones (Figura 1A) en la posición de “Apagado” (“O”).
2. Espere al menos cinco (5) segundos, y coloque el interruptor de tres posiciones en la posición de “Mando a distancia” (“II”).

3. **Menos de 10 segundos** tras haber hecho este último cambio, pulse el botón ON del transmisor del mando a distancia (Figura 3).

Esto sincronizará el transmisor del mando a distancia con el receptor del calentador de aire.

! NOTA: Sólo dispone de 10 segundos para realizar esta última etapa. De lo contrario, deberá volver a efectuar todos los pasos de nuevo.

Cambio de la pila (Figura 3)

Para cambiar la pila:

1. Deslice la tapa de la pila del telemando portátil.
2. Ponga una pila de 12 V (A23) en el compartimiento de la pila.
3. Vuelva a colocar la tapa de la pila.



Mantenimiento

⚠ ADVERTENCIA: Desconecte la corriente antes de intentar cualquier labor de mantenimiento o limpieza para reducir el riesgo de incendio, descarga eléctrica o lesiones a las personas.

Cambio de las bombillas

Antes de tocar las bombillas, deje que transcurran 5 minutos para dar tiempo a que se enfríen; así evitará el que se pueda quemar por accidente.

Hay que cambiar las bombillas cuando observe una parte oscura en la llama o cuando desaparezcan la claridad y detalles del exterior del tronco. Hay dos bombillas, situadas bajo el juego de troncos, encargadas de simular las llamas y las brasas.

Consejos útiles

Es buena idea cambiar todas las bombillas de una vez si es que están todas al final de su vida útil. Si sustituye todas las bombillas a la vez, reducirá el número de veces que tendrá que abrir el calentador de aire para cambiar las bombillas.

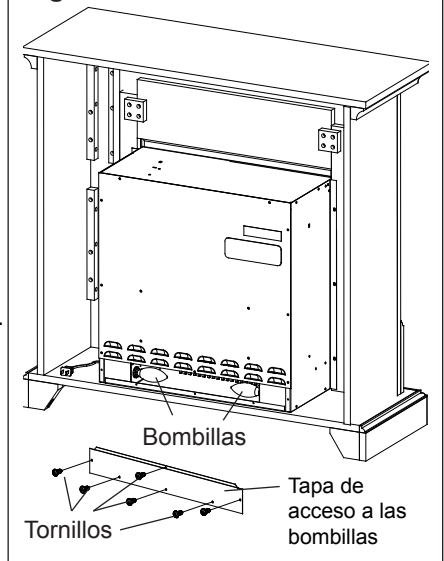
Especificaciones de las bombillas

Dos bombillas transparentes de 60 W, tipo candelabro, con casquillo (pequeño) J-12. Ejemplo: E 60BC o Philips 60 CTC.

Para cambiar las bombillas

1. Desenchufe el aparato de la toma de corriente.
2. En la parte trasera del calentador compacto, retire los tornillos de la tapa que da acceso a las bombillas.
3. Retire la tapa de acceso a las bombillas.
4. Meta la mano por la abertura,

Figura 4





Mantenimiento

localice y examine las bombillas para determinar si hay que cambiar alguna.

5. Afloje las bombillas girando en sentido contrario al de las manecillas del reloj.
6. Coloque una o varias bombillas nuevas.
7. Instale la tapa de acceso a las luces y coloque de nuevo los tornillos.

Limpieza del cristal

El cristal se limpia en fábrica durante la fase de montaje.

En la expedición, instalación, manejo, etc., el cristal delantero puede acumular partículas de polvo. Estas pueden eliminarse desempolvando ligeramente con un trapo limpio y seco.

Para eliminar las huellas dactilares u otras marcas, debe limpiarse el cristal delantero con un paño húmedo. El cristal delantero debe secarse completamente con un trapo sin pelusa para evitar las manchas de agua. Para evitar que se raye, no use limpiadores abrasivos ni rocíe líquidos en la superficie transparente del cristal.

Limpieza de la superficie del calentador de aire compacto

Para limpiar las superficies pintadas del calentador de aire compacto, use sólo agua caliente. No use limpiadores abrasivos.

Servicio

Salvo por el cambio de bombillas y la limpieza que se describen arriba, cualquier otro servicio debería ser realizado por un representante de servicio autorizado.



Garantía

Garantía limitada por un año

Productos a los que se aplica la garantía limitada

Esta garantía limitada se aplica al calentador de aire compacto Electralog de nueva compra. La garantía limitada se aplica sólo a las compras realizadas en cualquier provincia de Canadá, *excepto* el Territorio de Yukón, Nunavut, y los Territorios del Noroeste o en cualquiera de los 50 estados de los Estados Unidos de América (incluyendo el Distrito de Columbia), *excepto* Hawái y Alaska. Esta garantía limitada sólo se aplica al comprador inicial del producto y no es transferible.

Productos excluidos de esta garantía limitada

Las bombillas no están amparadas por esta garantía limitada y son responsabilidad exclusiva del propietario/comprador. No están cubiertos por esta garantía limitada los productos comprados en el Territorio de Yukón, Nunavut, Territorios del noroeste, Hawái o Alaska. Los productos comprados en estos estados, provincias o territorios se venden TAL CUAL, sin garantía ni condición de ningún tipo (incluyendo, sin limitación, cualquier garantía implícita o condiciones de comerciabilidad o adecuación a un fin particular) y el

riesgo total respecto de la calidad y del rendimiento de los productos recae en el comprador; y en el caso de un defecto, el comprador asume todo el coste de cualquier servicio o reparación necesarios.

Lo que cubre la garantía y hasta cuándo

Los productos amparados por esta garantía limitada se han ensayado e inspeccionado antes de su expedición y, de acuerdo con las cláusulas de esta garantía, Electralog garantiza que tales productos están libres de defectos de materiales y de fabricación durante un periodo de 12 meses a contar desde la fecha de primera compra de dichos productos.

El periodo de garantía limitada de 12 meses se aplica también a cualquier garantía implícita que pueda existir de acuerdo con la legislación vigente aplicable. Algunas jurisdicciones no permiten limitaciones sobre la duración de la garantía; por ello, la limitación antes citada puede que no sea aplicable al comprador.

Lo que esta garantía limitada no ampara

La garantía limitada no cubre los productos reparados (salvo por Electralog o sus representantes técnicos autorizados) o modificados de algún modo. Esta garantía limitada no se aplica a los defectos que se produzcan por mal uso, abuso,

accidente, negligencia, instalación incorrecta, mantenimiento o manejo inadecuado o funcionamiento a un voltaje incorrecto.

Lo que debe hacer para solicitar el servicio técnico amparado por esta garantía limitada

Debe informarse de los defectos al Servicio Técnico de Electralog poniéndose en contacto con Electralog en el 1-888-346-7539 o en 1367 Industrial Road, Cambridge, Ontario, Canadá, N1R 7G8. Cuando llame, tenga a mano la evidencia de compra, así como los números de catálogo, de modelo y de serie. El servicio de garantía limitada exige el que se disponga de la evidencia de compra del producto.

Lo que hará Electralog en el caso de defecto

En el caso de que, durante el periodo de 12 meses de garantía limitada, se demostrase que una pieza o un producto amparados por esta garantía limitada tienen defectos de material o de fabricación, usted dispondrá de los siguientes derechos:

- Electralog decidirá, a su exclusivo criterio, si repara o cambia la pieza o producto defectuoso sin cargo. Si Electralog no pudiera reparar ni cambiar la pieza o producto, o si la reparación o cambio no es comercialmente

practicable o no se puede realizar de modo diligente, Electralog puede, en lugar de reparar o cambiar, reintegrar al comprador el precio de dicho producto o pieza.

- El servicio de garantía limitada será realizado exclusivamente por los concesionarios o servicios de asistencia técnica de Electralog que hayan sido autorizados a prestar los servicios de garantía.
- El comprador es responsable de desmontar y llevar el producto o pieza (y cualquier otra pieza o producto reparado) al distribuidor autorizado o a la sede del servicio de reparación así como de su recogida.
- Esta garantía limitada no faculta al comprador a servicios a domicilio o *in-situ*. A petición del comprador, y a su cargo, pueden prestarse servicios *in situ* o a domicilio sujetándose a las tarifas oficiales del momento de Electralog para dichos servicios.
- Electralog no será responsable de cualquier gasto en que se incurra para la instalación o retirada del producto o pieza (o de cualquier pieza o producto reparados) ni de los costes de transporte ni de mano de obra, y los servicios de garantía limitada no los incluyen. Tales costes corren a cuenta del comprador.



Garantía

De lo que tampoco son responsables ni Electralog ni los distribuidores ni los técnicos de mantenimiento:

EN NINGÚN CASO SERÁN RESPONSABLES ELECTRALOG, NI SUS DIRECTIVOS, NI RESPONSABLES, NI AGENTES, FRENTE AL COMPRADOR O TERCEROS DE CUALQUIER TIPO, BIEN SE CONTEMPLE CONTRACTUALMENTE, EXTRA CONTRACTUALMENTE, O CON CUALQUIER OTRO CONCEPTO, DE CUALQUIER DAÑO, PÉRDIDA O COSTE ACCESORIO, INMATERIAL, PENAL, EJEMPLARIZANTE, ESPECIAL O INDIRECTO, QUE SE PRODUZCA O ESTÉ RELACIONADO CON LA VENTA, MANTENIMIENTO, USO O IMPOSIBILIDAD DE USAR EL PRODUCTO, INCLUSO SI ELECTRALOG O SUS DIRECTIVOS, RESPONSABLES O AGENTES HAN SIDO AVISADOS DE LA POSIBILIDAD DE QUE SE PRODUZCAN DICHOS DAÑOS, PÉRDIDAS O COSTES, O SI TALES DAÑOS, PÉRDIDAS O COSTES SON PREVISIBLES. EN NINGÚN CASO SERÁN RESPONSABLES ELECTRALOG NI SUS DIRECTIVOS, RESPONSABLES O AGENTES DE CUALQUIER DAÑO, PÉRDIDA O COSTE QUE SUPERE EL PRECIO DE COMPRA DEL PRODUCTO.

ALGUNAS JURISDICCIONES NO PERMITEN LA EXCLUSIÓN O LIMITACIÓN DE DAÑOS INMATERIALES O ACCESORIOS; POR ELLO PUEDE QUE NO SEA APLICABLE AL COMPRADOR LA LIMITACIÓN O EXCLUSIÓN ANTERIOR.

Cómo se aplican las legislaciones provincial y estatal

Esta garantía limitada le proporciona derechos legales específicos y puede que usted tenga también otros derechos que varían de jurisdicción en jurisdicción. A la venta de los productos amparados por esta garantía limitada no le serán de aplicación las cláusulas de la Convención de las Naciones Unidas sobre Contratos de venta de mercancías.



Piezas de recambio

Ensamble de leños	0487550100RP
Motor del efecto de llama	2000220100RP
Ensamble del Calentador	2200490800RP
Termostato	2300150100RP
Abertura	2300270100RP
Interruptor de tres posiciones	2800071100RP
Interruptor de encendido/apagado del calentador.	2800070200RP
Capacitor	3200030100RP
Juego de cables	4100090100RP
Varilla de titilación	5900340100RP
Espejo	5900620100RP
Vidrio delantero	5900420100RP
Transmisor para control remoto	3000370800RP
Receptor del control remoto.	3000380200RP
Perilla de control	8800000300RP
Colector de cables del portalámparas.	2500170300RP



Electralog

1367 Industrial Road
Cambridge ON
Canada N1R 7G8

© 2011 Dimplex North America Limited

Free Manuals Download Website

<http://myh66.com>

<http://usermanuals.us>

<http://www.somanuals.com>

<http://www.4manuals.cc>

<http://www.manual-lib.com>

<http://www.404manual.com>

<http://www.luxmanual.com>

<http://aubethermostatmanual.com>

Golf course search by state

<http://golfingnear.com>

Email search by domain

<http://emailbydomain.com>

Auto manuals search

<http://auto.somanuals.com>

TV manuals search

<http://tv.somanuals.com>