

Montageanweisung

Installation instructions

Manuel de montage

Gebruiksaanwijzing

Instrucciones de instalación

Instrukcja montażu

DEE 1802 / DEE 2102 / DEE 2402

Durchlauferhitzer

Instantaneous water heater

Chauffe-eau instantané

Doorstroom heetwaterapparaat

Calentador de paso continuo

Podgrzewacz przepływowy

Assemble the instantaneous water heater as shown in the illustrations. Observe the information in the text.



Safety information

- **The instantaneous water heater must only be connected and started up by an authorised technician.**
- The statutory regulations of the respective country, as well as those of the local electricity and water suppliers must be adhered to.
- The instantaneous water heater is an appliance of protection class I and **must** be connected to the protective earth conductor.
- The unit have to be connected durably to the mains electricity supply via an all pole disconnecting device with contact gap must be at least 3 mm.
- The instantaneous water heater is suitable for enclosed (pressurised) operation only.
- The tap fittings must be permitted for operation with enclosed (pressurised) instantaneous water heaters.
- The instantaneous water heater must only be connected to a cold-water pipe.
- The instantaneous water heater is suitable for connection to DVGW-tested plastic pipes.
- **The instantaneous water heater must only be installed in a frost-free room.**
- **Prior to installation, the electric connecting cable must be disconnected from the mains voltage and the water supply cut off!**
- **Only connect the electric supply after the water supply.**
- When making holes in the rear panel, only make the number of holes required for installation. If the appliance is reinstalled, any holes that are not used must be made watertight.
- Live components must not be touched subsequent to installation.

Assembly

I. Unpacking/removing the housing cover

- Unpack the appliance and check for transportation damage.
- Dispose of the packaging and, where applicable, the old appliance, in an environmentally conscious manner.

II. Preparation for assembly

III. Wall-mounted assembly

- The instantaneous water heater must be fitted securely to the wall. If required, secure the appliance using the lower adjusting screws.
- The distance from the wall is variable. This allows you to compensate for any unevenness in the wall surface.
- The sleeve in the rear panel must fit tightly round the connection cable. If the sleeve is damaged during installation, the holes must be sealed water-tight.

IV. Water supply

- **The flow-through heater must be vented. Open the warm water tap completely and allow to flow through for one minute.**

V. Electric supply

- The mains connection can either be mounted above or below. At least 40 mm of the connecting cord's insulating jacket must be clamped inside the appliance.

VI. Startup

- For low water line pressure, remove the flow limiter (see Supplementary Information A).
- Instruct the user with regard to the operation of the instantaneous water heater.
- Separate the required language version from the rest of the operating instructions. This can be kept in the swing-out control panel of the instantaneous water heater.

Additional information

A If the flow-through heater does not achieve adequate flow as a result of water line pressure that is too low in your house installation, remove the flow limiter.

B Priority circuit for the combination with electro-storage heating units:
For operation with the priority circuit, a special load reducing relay (special accessory) is required. Other already existing load reducing relays with the exception of electronic load reducing relays could cause malfunctions.

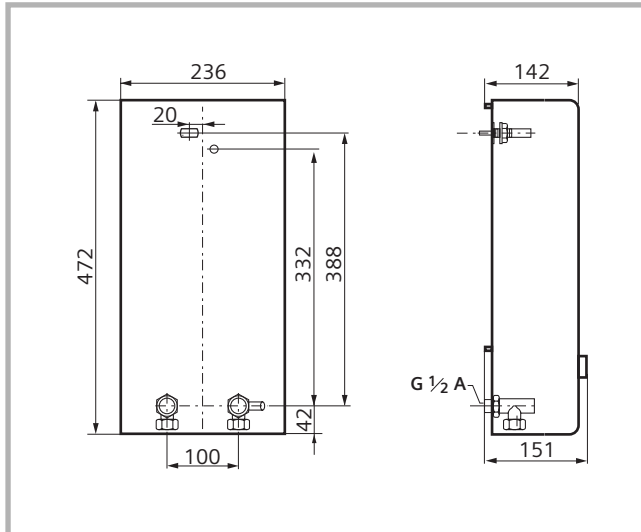
C Status Indicator in the Heater

LED	Heater Status
Off	Off
On	Ready
Slow blinking (1/s)	Heating

Specifications

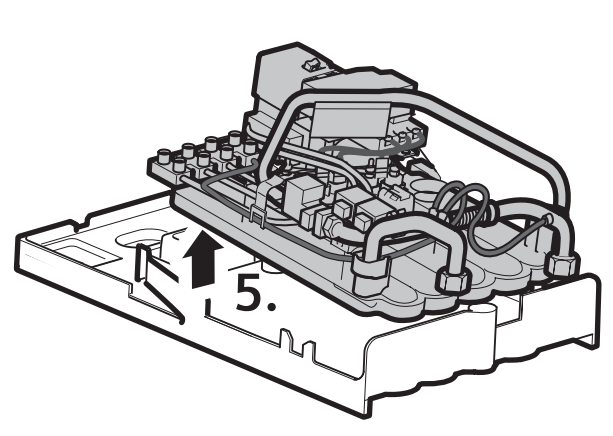
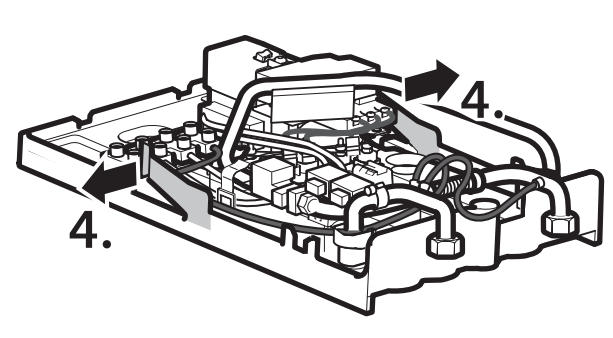
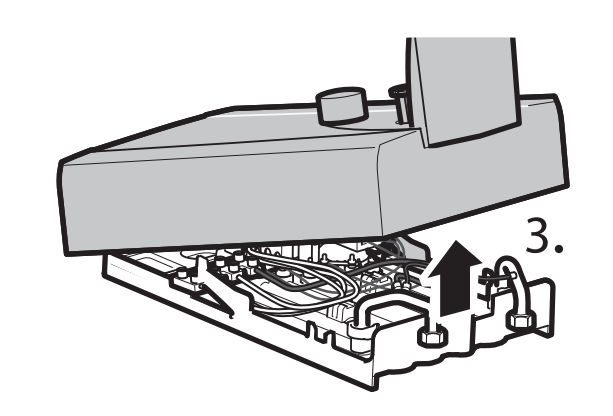
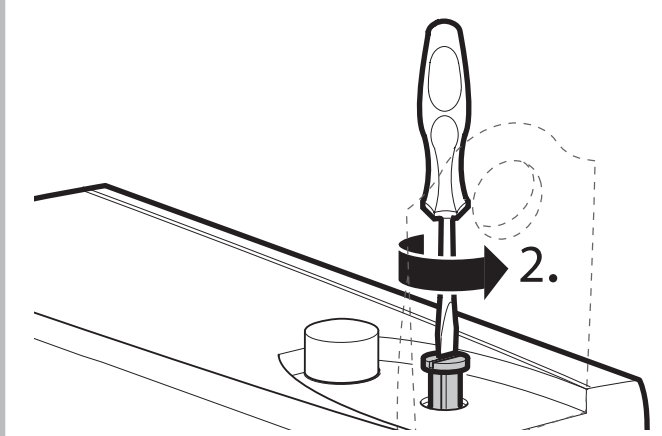
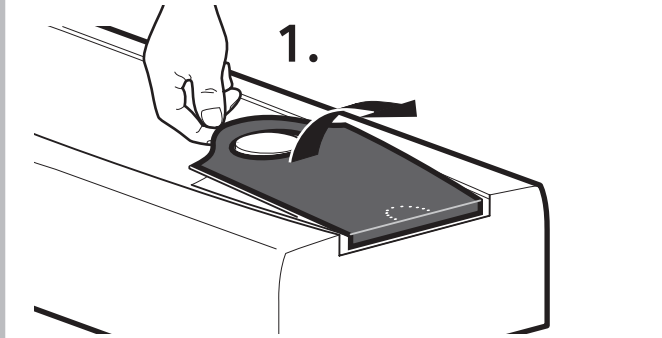
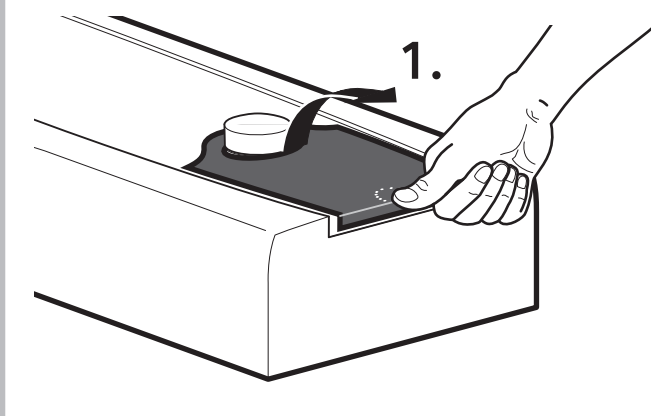
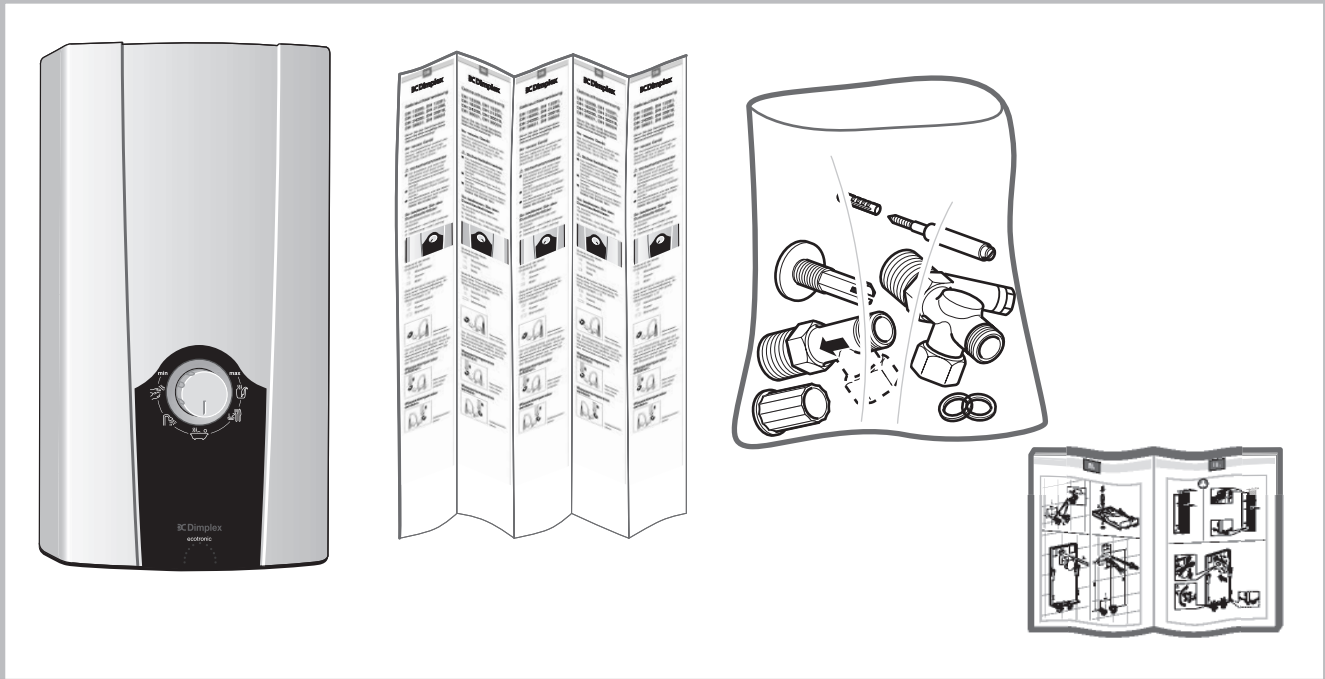
Rated power	[kW]	18	21	24
Rated voltage		380 – 415 V	380 – 415 V	380 – 415 V
Warm Water Quantity at Rated Power for temperature increases of:				
12 °C to 38 °C	[l/min]	9.9	11.6	13.2
12 °C to 60 °C	[l/min]	5.4	6.3	7.2
Switch-on quantity	[l/min]	2.6	2.6	2.6
Switch-on flow pressure*	[MPa (bar)]	0.025 (0.25)	0.025 (0.25)	0.025 (0.25)
Flow pressure (at rated power and 60 °C)*				
With flow limiter	[MPa (bar)]	0.028 (0.28)	0.035 (0.35)	0.048 (0.48)
Without flow limiter	[MPa (bar)]	0.013 (0.13)	0.020 (0.20)	0.026 (0.26)
Operative range in waters of specific electric resistance at 15 °C	[Ω cm]	≥ 1300	≥ 1300	≥ 1300
Rated pressure	[MPa (bar)]	1 (10)	1 (10)	1 (10)
Maximum permissible supply temperature	[°C]	20	20	20
Maximum mains impedance at connection site	[Ω]	–	–	≤ 0.41

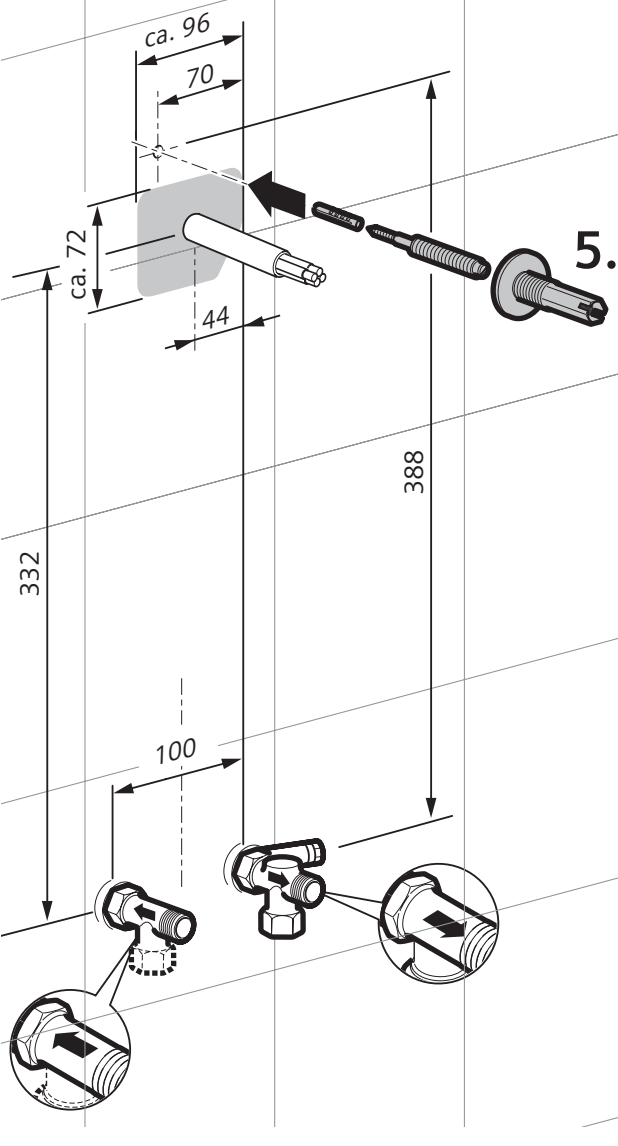
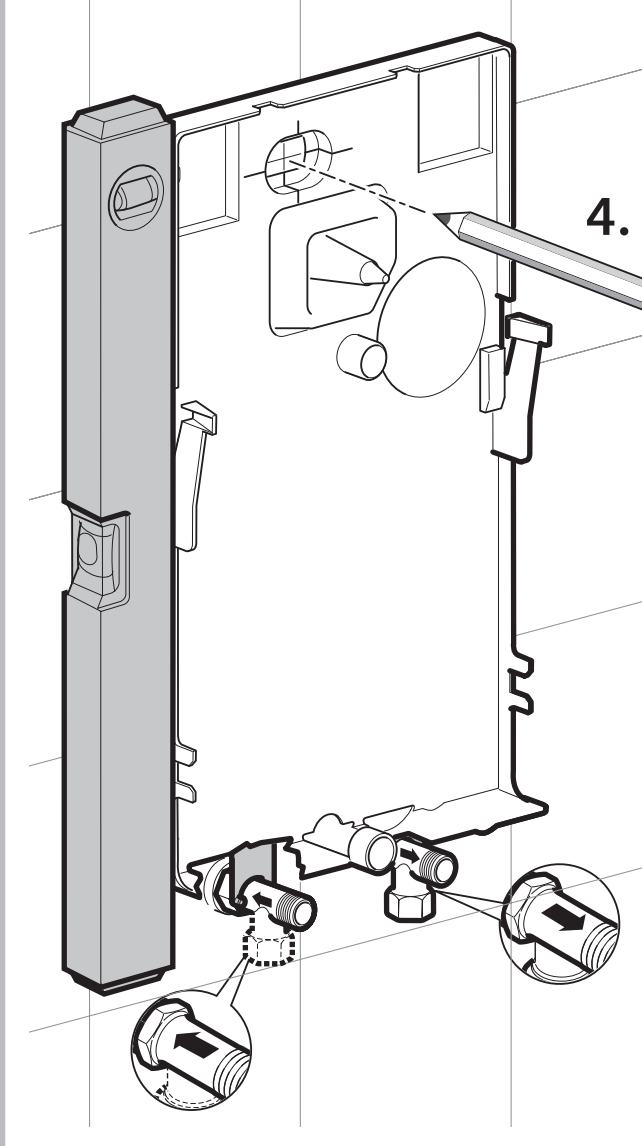
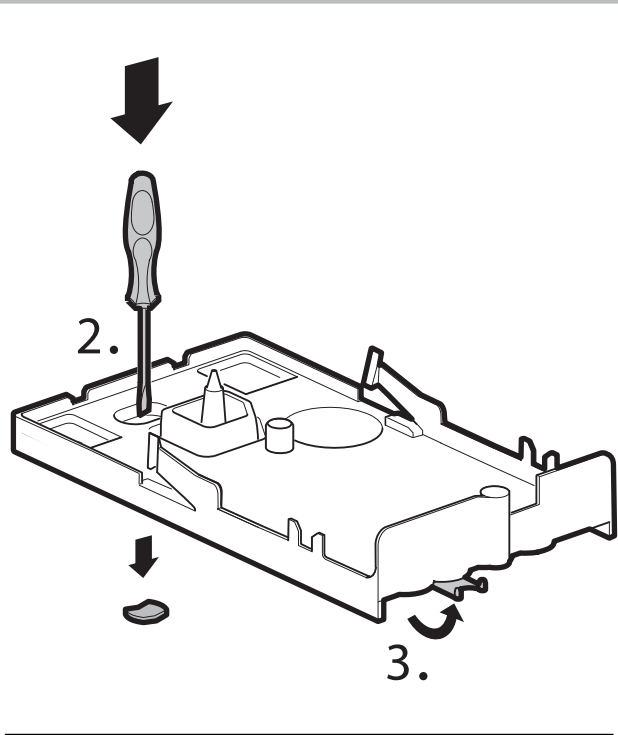
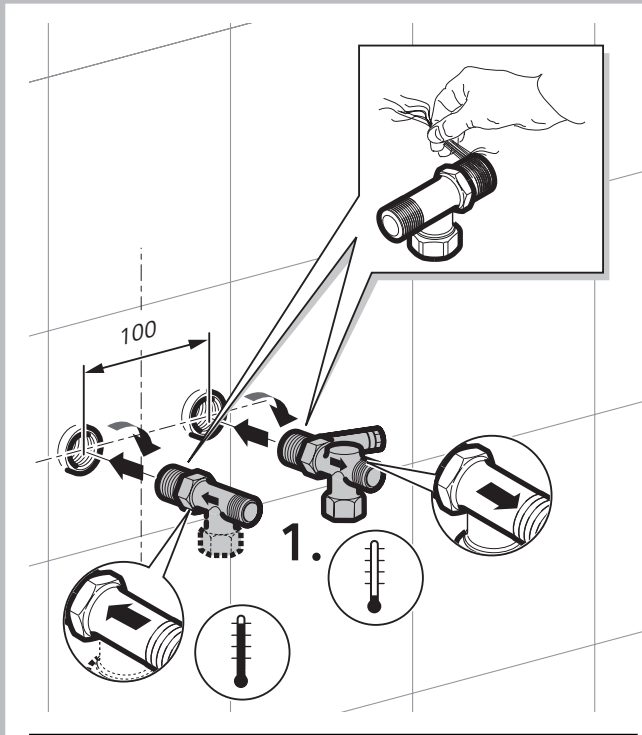
* Plus any pressure loss at the tap mixer

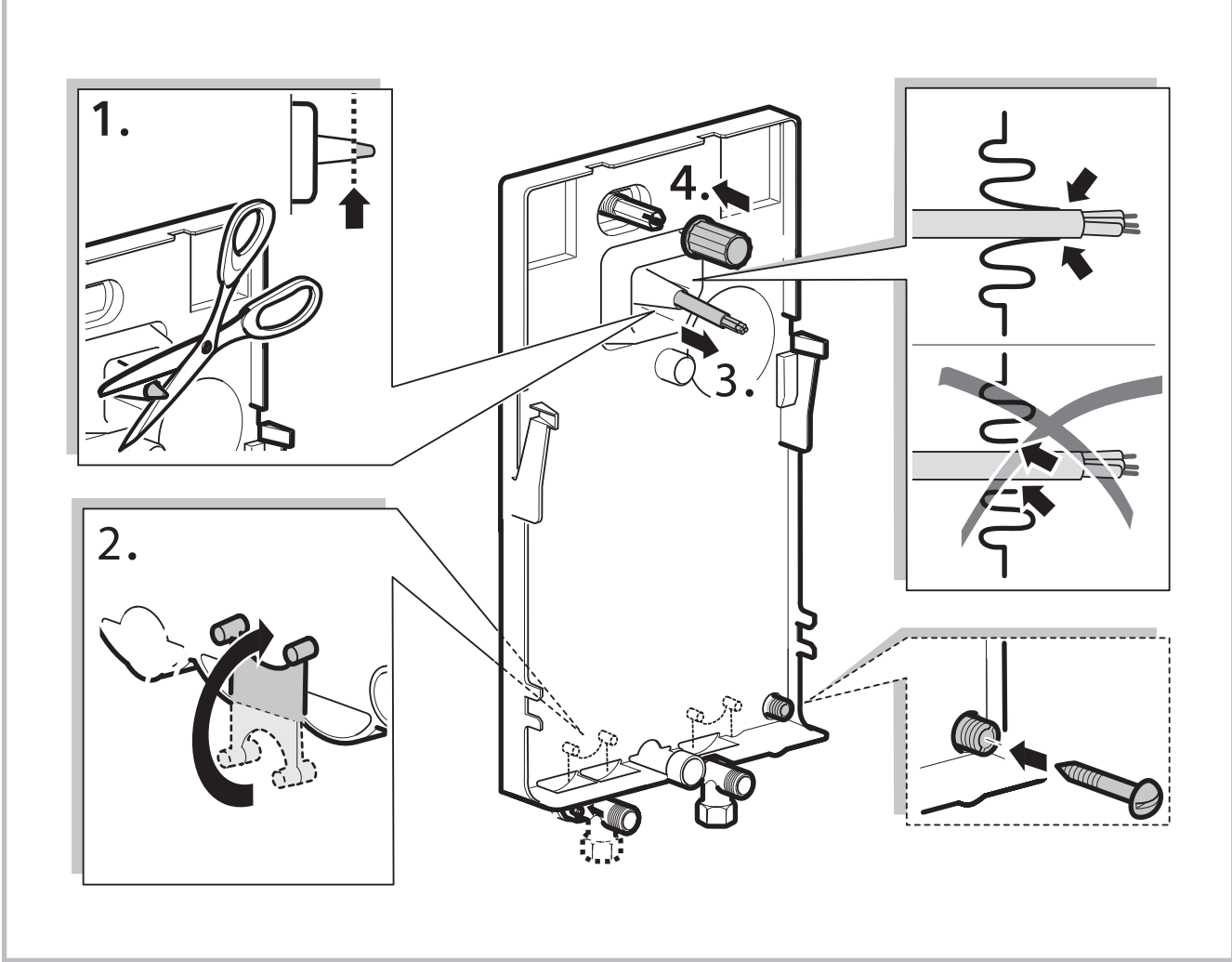
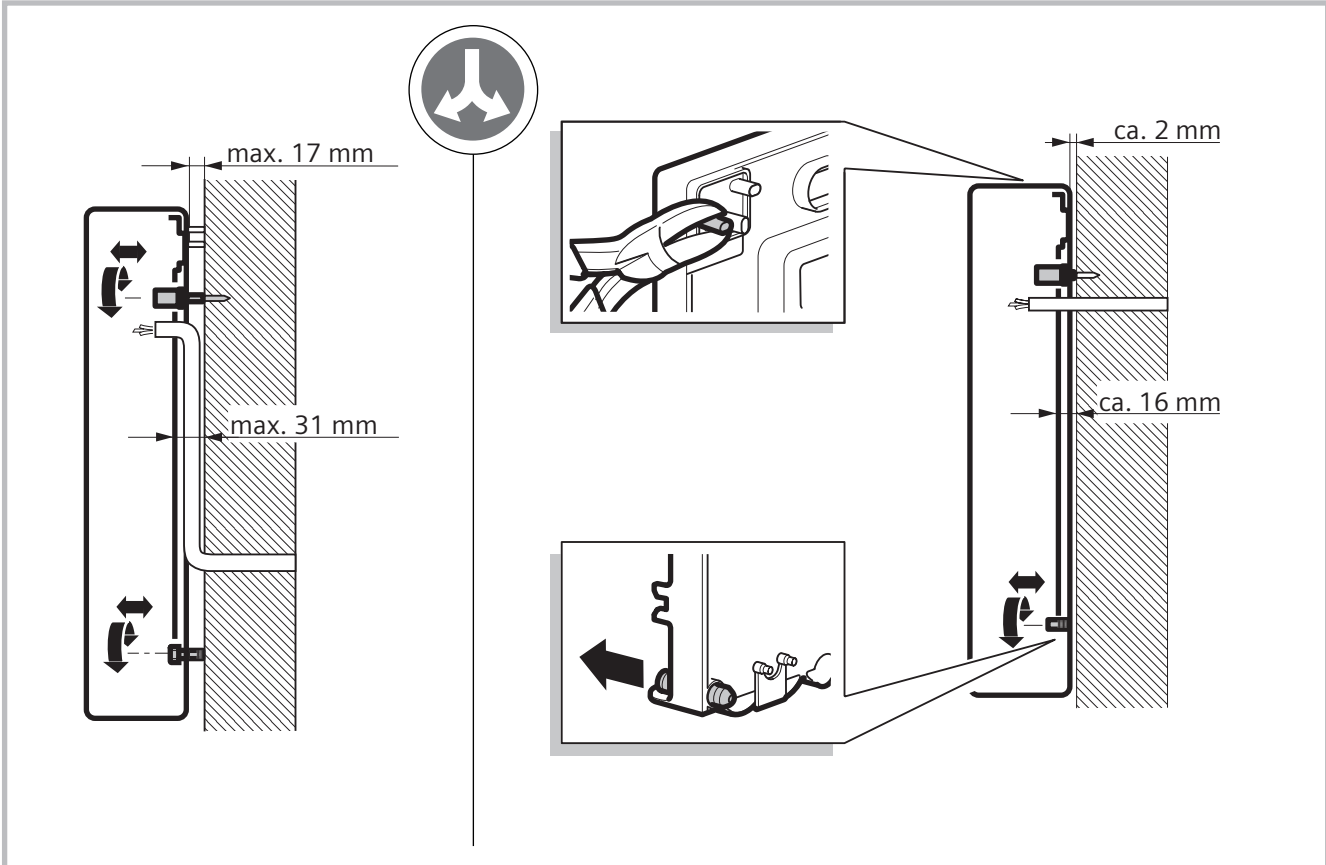


Special accessories

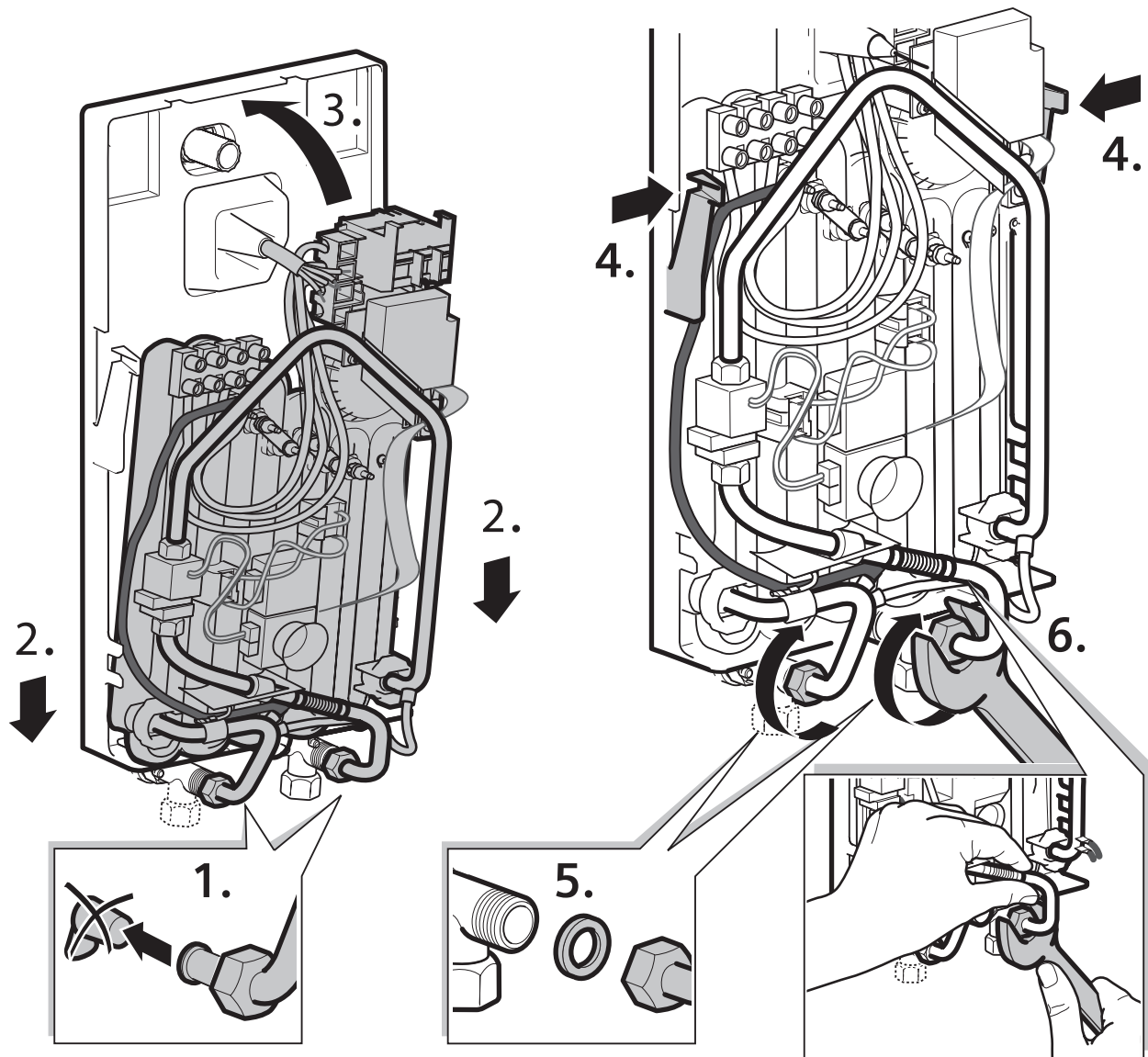
- **DLE 02RBS** Pipe set: When using the instantaneous water heater as a built-under appliance.
- Priority switch (load reducing relay): For operation with the priority circuit.
- **DLE 02AP** Mounting set: For surface-mount installation.







IV.

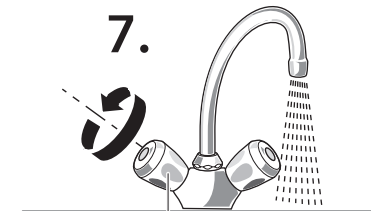


1 Minute entlüften!

**Vent for one
minute!**

Aérer pendant 1 minute !

7.



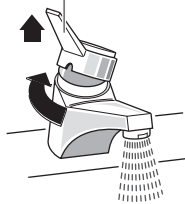
warm
hot
chaud

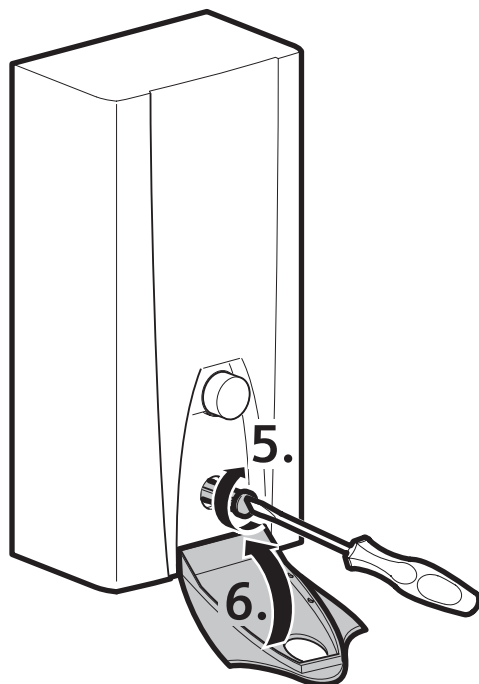
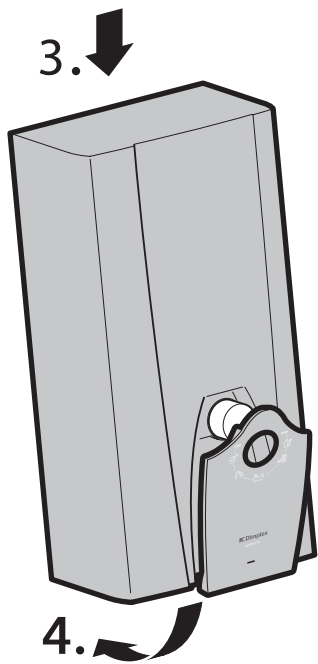
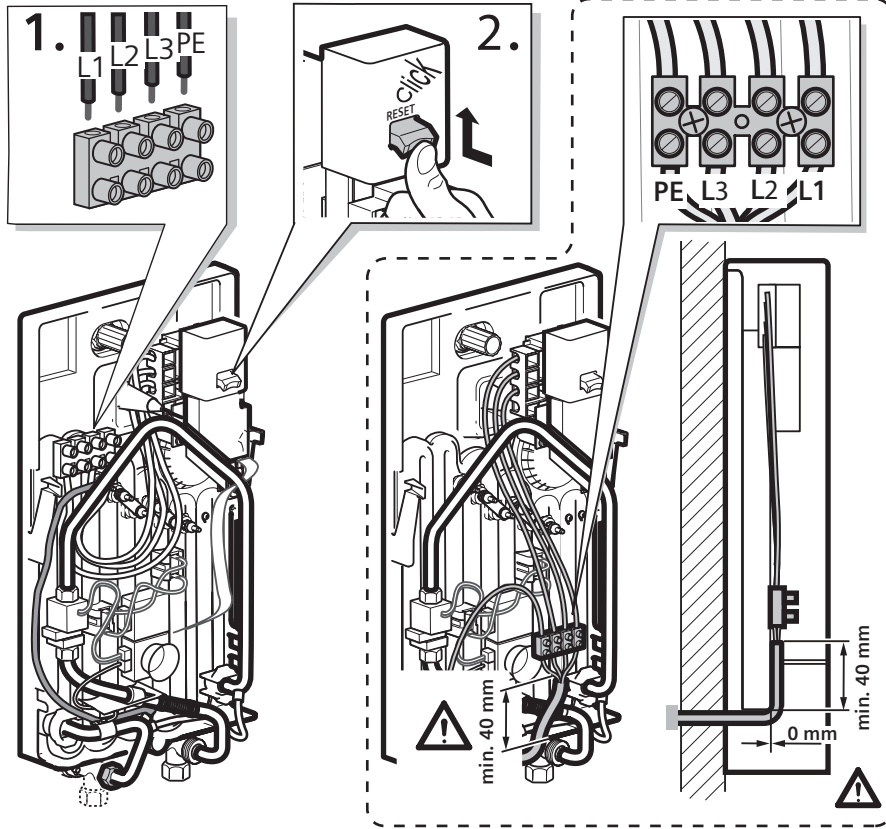
warm
caliente
cieply

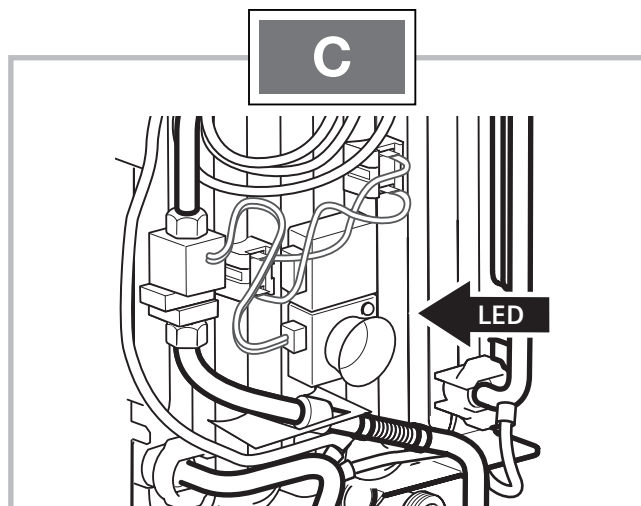
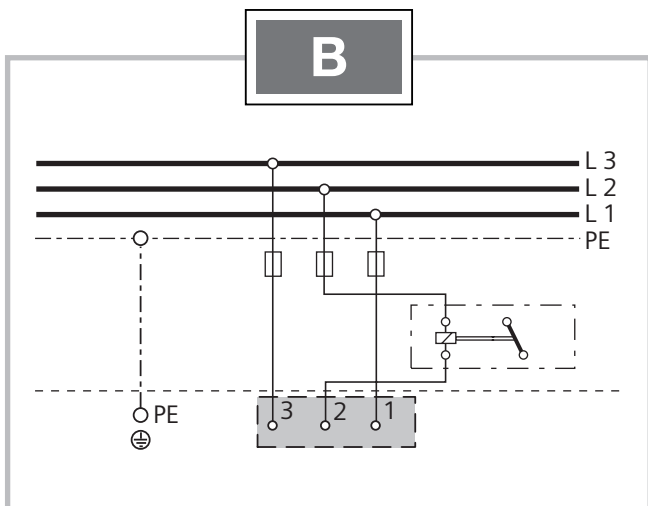
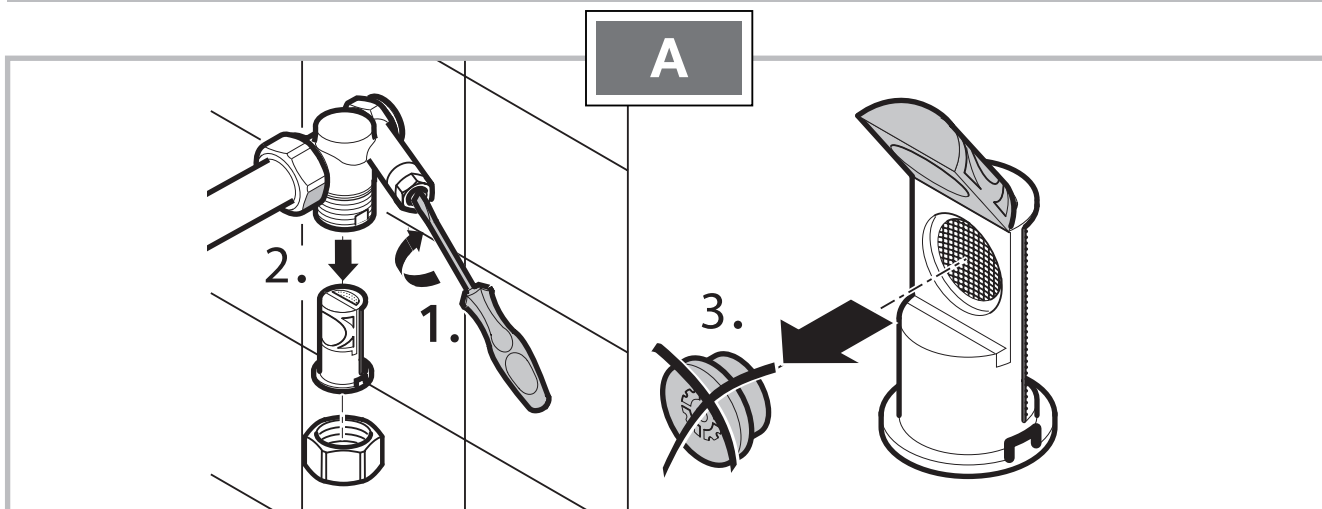
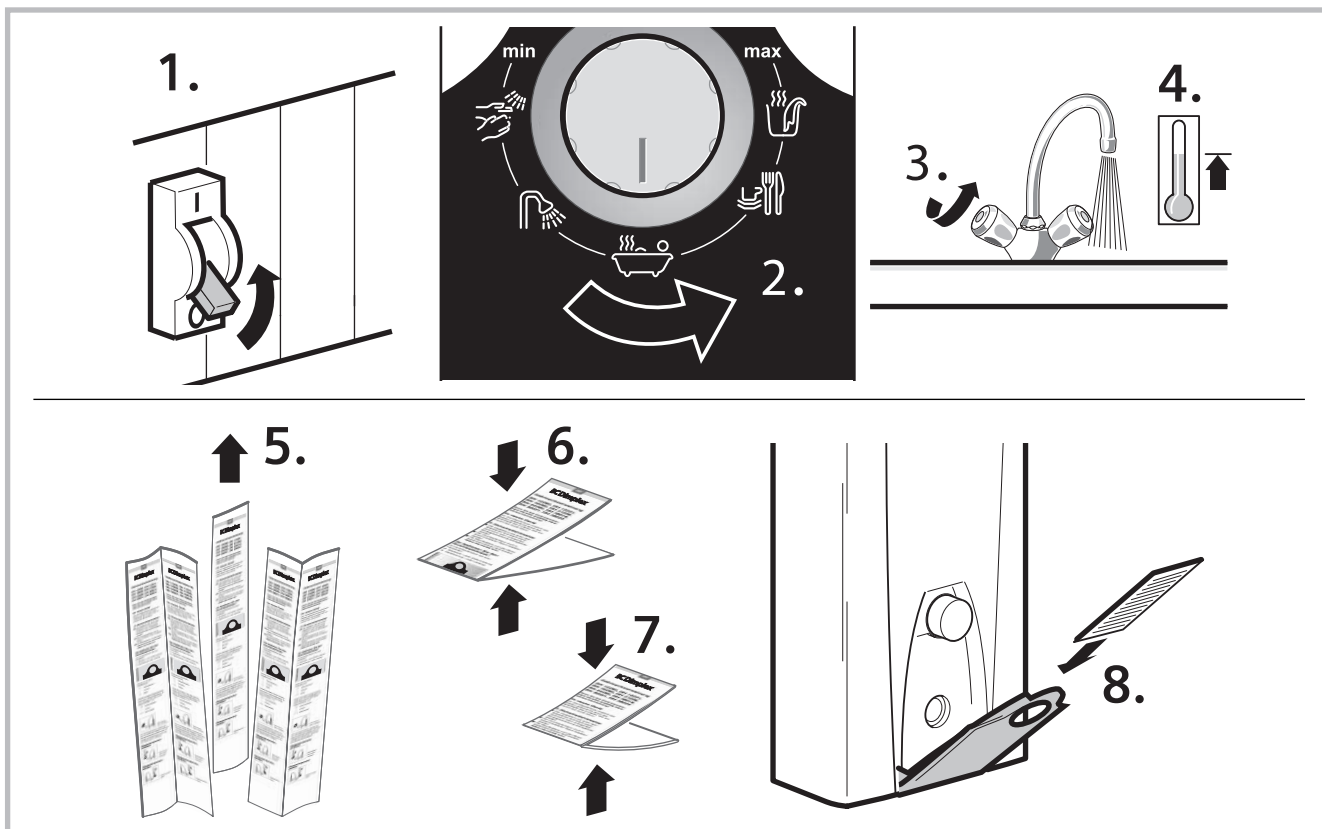
1 minuut ontlichten!

**¡Purgar durante
1 minuto!**

Odpowietrzać 1 minutę!







**de Entsorgung**

Dieses Gerät ist entsprechend der europäischen Richtlinie 2002/96/EG über Elektro- und Elektronik-Altgeräte (waste electrical and electronic equipment – WEEE) gekennzeichnet. Die Richtlinie gibt den Rahmen für eine EU-weit gültige Rücknahme und Verwertung der Altgeräte vor.

gb Disposal

This appliance is labelled in accordance with European Directive 2002/96/EG concerning used electrical and electronic appliances (waste electrical and electronic equipment – WEEE). The guideline determines the framework for the return and recycling of used appliances as applicable throughout the EU.

fr Elimination

Cet appareil est marqué selon la directive européenne 2002/96/CE relative aux appareils électriques et électroniques usagés (waste electrical and electronic equipment – WEEE). La directive définit le cadre pour une reprise et une récupération des appareils usagés applicables dans les pays de la CE.

nl Afvoer van afval

Dit apparaat is gekenmerkt in overeenstemming met de Europese richtlijn 2002/96/EG betreffende afgedankte elektrische en elektronische apparatuur (waste electrical and electronic equipment – WEEE). De richtlijn geeft het kader aan voor de in de EU geldige terugneming en verwerking van oude apparaten.

ru Утилизация отходов

Данный прибор имеет отметку о соответствии европейским нормам 2002/96/EG утилизации электрических и электронных приборов (waste electrical and electronic equipment – WEEE). Данные нормы определяют действующие на территории Евросоюза правила возврата и утилизации старых приборов.

pl Usuwanie odpadów

Urządzenie to oznaczono zgodnie z europejską wytyczną 2002/96/EG o zużytych urządzeniach elektrycznych i elektronicznych (waste electrical and electronic equipment – WEEE). Wytyczna ta określa ramy obowiązującego w całej Unii Europejskiej odbioru i wtórnego wykorzystania starych urządzeń.

it Smaltimento

Questo apparecchio dispone di contrassegno ai sensi della direttiva europea 2002/96/CE in materia di apparecchi elettrici ed elettronici (waste electrical and electronic equipment – WEEE). Questa direttiva definisce le norme per la raccolta e il riciclaggio degli apparecchi dismessi valide su tutto il territorio dell'Unione Europea.

es Eliminación

Este aparato cumple con la Directiva europea 2002/96/CE sobre aparatos eléctricos y electrónicos identificada como (Residuos de aparatos eléctricos y electrónicos). La directiva proporciona el marco general válido en todo el ámbito de la Unión Europea para la retirada y la reutilización de los residuos de los aparatos eléctricos y electrónicos.

pt Eliminação

Este aparelho está marcado em conformidade com a Directiva 2002/96/CE relativa aos resíduos de equipamentos eléctricos e electrónicos (waste electrical and electronic equipment – WEEE). A directiva estabelece o quadro para a criação de um sistema de recolha e valorização dos equipamentos usados válido em todos os Estados Membros da União Europeia.

cs Likvidace

Tento spotřebič je označen v souladu s evropskou směrnicí 2002/96/EG o nakládání s použitými elektrickými a elektronickými zařízeními (waste electrical and electronic equipment – WEEE). Tato směrnice stanoví jednotný evropský (EU) rámec pro zpětný odběr a recyklování použitých zařízení.

tr Tasfiye

Bu cihaz, ömrünü doldurmuş elektrikli ve elektronik cihazlar ile ilgili Avrupa yönetmeliği 2002/96/EG'ye (waste electrical and electronic equipment – WEEE) uygun şekilde işaretlenmiştir. Bu yönetmelik, eski cihazların geri alımı ve değerlendirilmesi ile ilgili AB-çapındaki uygulamaların çerçevesini belirtmektedir.

el Απόσυρση

Αυτή η συσκευή χαρακτηρίζεται σύμφωνα με την ευρωπαϊκή οδηγία 2002/96/ΕΚ περί ηλεκτρικών και ηλεκτρονικών συσκευών (waste electrical and electronic equipment – WEEE). Η οδηγία προκαθορίζει τα πλαίσια για μια απόσυρση και αξιοποίηση των παλιών συσκευών με ισχύ σ' όλη την ΕΕ.

ro Eliminare

Acest aparat este marcat corespunzător directivei europene 2002/96/CE în privința aparatelor electrice și electronice vechi (waste electrical and electronic equipment – WEEE). Directiva prescrie cadrul pentru o preluare înapoi, valabilă în întreaga UE, și valorificarea aparatelor vechi.

bg Бракуване

Този уред е обозначен в съответствие с европейската директива 2002/96/EG за стари електрически и електронни уреди (waste electrical and electronic equipment – WEEE). Тази директива регламентира валидните в рамките на ЕС правила за приемане и използване на стари уреди.

in Cara membuang

Mesin ini diberi tanda sesuai dengan peraturan Eropa 2002/96/EG tentang pesawat-pesawat elektro dan elektronika yang tidak dipakai lagi (waste electrical and electronic equipment – WEEE). Peraturan ini menjadi dasar bagi penerimaan kembali pesawat yang tidak dipakai lagi dan pendaur ulangannya yang berlaku di seluruh UE.

zh 处理废弃物

本机器上有符合欧洲 2002/96/EG，有关老旧电子、电动工具的处理法规（waste electrical and electronic equipment – WEEE），的标记。这是有关回收与再利用老旧机器的规定，它可以适用在各个欧盟国家。

zf 處理廢棄物

本機器上有符合歐洲 2002/96/EG，有關老舊電子、電動工具的處理法規（waste electrical and electronic equipment – WEEE），的標記。這是有關回收與再利用老舊機器的規定，它可以適用在各個歐盟國家。

hk 处理废弃物

本机器上有符合欧洲 2002/96/EG，有关老旧电子、电动工具的处理法规（waste electrical and electronic equipment – WEEE），的标记。这是有关回收与再利用老旧机器的规定，它可以适用在各个欧盟国家。

th การจัดการทิ้ง

เครื่องมือนี้นี้มีป้ายติดไว้ตามคำสั่งของสหภาพยุโรปที่ 2002/96/EG ว่าด้วยเครื่องไฟฟ้าและอิเล็กทรอนิกส์เก่าที่ใช้แล้ว (waste electrical and electronic equipment – WEEE) คำสั่งนี้กำหนดกรอบการปฏิบัติที่ใช้ได้ทั่วทั้งสหภาพยุโรปในเรื่องการรับเครื่องมือเก่าคืน และการนำกลับมาใช้ประโยชน์เป็นวัตถุดิบใหม่อีก

ms Cara membuang

Mesin ini ditandakan sesuai dengan peraturan Eropah 2002/96/EG tentang alat-alat elektro dan elektronik yang tidak digunakan lagi (waste electrical and electronic equipment – WEEE). Peraturan ini menjadi dasar bagi penerimaan kembali alat-alat yang tidak digunakan lagi dan penggunaan kitar semulanya di seluruh EU.

vi Phế thải

Máy này nằm trong quy định của Âu châu 2002/96/EG về máy điện cũ và máy điện tử cũ (waste electrical and electronic equipment – WEEE). Quy định này ấn định về việc nhận lại và tái sinh những máy cũ trong toàn khối liên minh Âu châu.

Free Manuals Download Website

<http://myh66.com>

<http://usermanuals.us>

<http://www.somanuals.com>

<http://www.4manuals.cc>

<http://www.manual-lib.com>

<http://www.404manual.com>

<http://www.luxmanual.com>

<http://aubethermostatmanual.com>

Golf course search by state

<http://golfingnear.com>

Email search by domain

<http://emailbydomain.com>

Auto manuals search

<http://auto.somanuals.com>

TV manuals search

<http://tv.somanuals.com>