

Directed[®]
V I D E O

OWNER'S GUIDE
INSTALLATION GUIDE



Slot-Type DVD Player

MODEL DV2000

Table of Contents

Limited One-Year Warranty	4
Safety Instructions	5
Region Management Information	5
Important Safeguards	6
When Driving	6
When Car Washing	6
When Parked	6
Use the Proper Power Supply	6
Protect the Disc Mechanism	6
Repairs	6
Placement	6
When Not in Use	6
Avoid Water and Magnets	6
Stacking	6
Condensation	6
Important Information	7
FCC Notice	7
Your Warranty	7
Features	7
Features	7
Accessories	7
Disc Notes	8
Disc Formats Supported by This Player	8
Disc Formats Not Supported by This Player	8
Handling and Cleaning	8
Front Panel Operation	9
Front Panel Features	9
Front Panel Controls	9
Remote Operation	10
Prior to use	10
Remote Control Functions	11
Basic Operation	12
Turning the Player On/Off	12
Play Disc	12
Stop Disc	12
Remove Disc	12
Pause/Resume Play	12
Volume Control	12
Slow Rewind/Slow Forward	12
Fast Rewind/Fast Forward	12
Skip Tracks/Chapters	12
Repeat Play	12
Timed Repeat Play	13
Mute Audio	13
Zoom Play	13
On-Screen Display	13
Auxiliary Input	13
Advanced Operation	14
DVD Operation	14
CD/VCD Operation	15
MP3 Operation	15
Setup Menu	16
Setup Menu Navigation	16
Language Menu	16
Parental Lock Menu	16
Audio Menu	17
Display Options Menu	17
Screen Format	18
Installation	19
Connecting to a Stereo TV	19
Remote Control	19
Mounting the Unit	19
Wiring Connections	20
Troubleshooting	21
Specifications	22

Limited One-Year Warranty

For a period of ONE YEAR from the date of purchase, Directed Electronics, Inc. ("DIRECTED") promises to the original purchaser to repair or replace, free of cost, with a comparable reconditioned model any **DVD PLAYER** (hereafter the "UNIT"), which proves to be defective in workmanship or material defect under normal use, provided the following conditions are met: the unit was purchased and installed by an authorized DIRECTED dealer; the unit remains in the vehicle in which the unit was originally installed; and the unit is returned to DIRECTED. The unit in question must be returned to DIRECTED postage paid and must be accompanied by a clear, legible copy of the bill of sale bearing the following information:

- Date of Purchase
- Your Full name and address
- Authorized dealer's company name and address
- Type of unit installed
- Year, make, model, and color of the automobile
- Automobile license number
- Vehicle Identification number
- Installation receipts

All components other than the unit, including and without limitation the remote control, cables and installation accessories, carry a 60-day warranty from the date of purchase of the same.

This warranty is automatically void if the unit's date code or serial number is defaced, missing or altered; the unit has been modified or used in a manner contrary to its intended purpose; or the unit has been damaged by accident, unreasonable use, neglect, improper service, installation or other causes not arising out of defects in materials or construction. This warranty is nontransferable and does not apply to any unit that has been modified or used in a manner contrary to its intended purpose and does not cover batteries. This warranty **does not cover labor costs** for the removal, diagnosis, troubleshooting or reinstallation of the unit. For service on an out-of-warranty product a flat rate fee by model is charged. Contact

your authorized dealer to obtain the service charge for your unit.

TO THE MAXIMUM EXTENT ALLOWED BY LAW, ALL WARRANTIES, INCLUDING BUT NOT LIMITED TO EXPRESS WARRANTY, IMPLIED WARRANTY, WARRANTY OF MERCHANTABILITY, FITNESS FOR PARTICULAR PURPOSE AND WARRANTY OF NON-INFRINGEMENT OF INTELLECTUAL PROPERTY, ARE EXPRESSLY EXCLUDED; AND DIRECTED NEITHER ASSUMES NOR AUTHORIZES ANY PERSON OR ENTITY TO ASSUME FOR IT ANY DUTY, OBLIGATION OR LIABILITY IN CONNECTION WITH ITS PRODUCTS. DIRECTED DISCLAIMS AND HAS ABSOLUTELY NO LIABILITY FOR ANY AND ALL ACTS OF THIRD PARTIES INCLUDING DEALERS OR INSTALLERS. IN THE EVENT OF A CLAIM OR A DISPUTE INVOLVING DIRECTED OR ITS SUBSIDIARY, THE PROPER VENUE SHALL BE SAN DIEGO COUNTY IN THE STATE OF CALIFORNIA. CALIFORNIA STATE LAWS AND APPLICABLE FEDERAL LAWS SHALL APPLY AND GOVERN THE DISPUTE. THE MAXIMUM RECOVERY UNDER ANY CLAIM AGAINST DIRECTED SHALL BE STRICTLY LIMITED TO THE AUTHORIZED DIRECTED DEALER'S PURCHASE PRICE OF THE UNIT. DIRECTED SHALL NOT BE RESPONSIBLE FOR ANY DAMAGES WHATSOEVER, INCLUDING BUT NOT LIMITED TO, ANY CONSEQUENTIAL DAMAGES, INCIDENTAL DAMAGES, DAMAGES FOR THE LOSS OF TIME, LOSS OF EARNINGS, COMMERCIAL LOSS, LOSS OF ECONOMIC OPPORTUNITY AND THE LIKE. NOTWITHSTANDING THE ABOVE, THE MANUFACTURER DOES OFFER A LIMITED WARRANTY TO REPLACE OR REPAIR THE CONTROL MODULE AS DESCRIBED ABOVE. Some states do not allow limitations on how long an implied warranty will last or the exclusion or limitation of incidental or consequential damages. This warranty gives you specific legal rights and you may also have other rights that vary from State to State. DIRECTED does not and has not authorized any person or entity to create for it any other obligation, promise, duty or obligation in connection with these UNITS.

Safety Instructions

CAUTION: MOBILE DVD PLAYER IS A CLASS I LASER PRODUCT. HOWEVER THIS MOBILE DVD PLAYER USES A VISIBLE/INVISIBLE LASER BEAM THAT COULD CAUSE HAZARDOUS RADIATION IF EXPOSED DIRECTLY. BE SURE TO OPERATE THE MOBILE DVD PLAYER AS INSTRUCTED. USE OF CONTROLS, ADJUSTMENTS OR PERFORMANCE OF PROCEDURES OTHER THAN THOSE SPECIFIED HEREIN MAY RESULT IN HAZARDOUS RADIATION EXPOSURE. DO NOT OPEN COVERS AND DO NOT REPAIR YOURSELF. REFER SERVICING TO QUALIFIED PERSONNEL.

WARNING: TO REDUCE THE RISK OF FIRE OR ELECTRIC SHOCK, DO NOT EXPOSE THIS EQUIPMENT TO RAIN OR MOISTURE. TO REDUCE THE RISK OF FIRE OR ELECTRIC SHOCK AND ANNOYING INTERFERENCE, USE ONLY THE RECOMMENDED ACCESSORIES.

This product incorporates copyright protection technology that is protected by method claims of certain U.S. patents and other intellectual property rights owned by Macrovision Corporation and other rights owners. Use of this copyright protection technology must be authorized by Macrovision Corporation, and is intended for home and other limited viewing uses only unless otherwise authorized by Macrovision Corporation. Reverse engineering or disassembly is prohibited.

REGION MANAGEMENT INFORMATION

This Mobile DVD Player is designed and manufactured to respond to the Region Management Information that is recorded on a DVD disc. If the Region number described on the DVD disc does not correspond to the Region number of this Mobile DVD Player, the disc will not play.

Important Safeguards

WHEN DRIVING

Keep the volume level low enough to be aware of road and traffic conditions.

WHEN CAR WASHING

Do not expose the product to water or excessive moisture. This could cause electrical shorts, fire, or other damage.

WHEN PARKED

Parking in direct sunlight can produce very high temperatures inside your vehicle. Give the interior a chance to cool down before starting playback.

USE THE PROPER POWER SUPPLY

This product is designed to operate with a (+) 12 volt DC, negative ground battery system.

PROTECT THE DISC MECHANISM

Avoid inserting any foreign objects into the disc tray of this player. Failure to observe this may cause malfunction due to the precise mechanism of this unit.

REPAIRS

Do not attempt to disassemble or adjust this precision product. Please consult your authorized Directed dealer for service assistance.

PLACEMENT

Avoid placing the player in areas of:

- Direct sunlight or heater vents.

- Excessive dust.
- Vibration, impact, or high foot traffic.
- Surface tilt - the internal parts may be seriously damaged.

WHEN NOT IN USE

When not in use, set the player to standby mode. When left unused for a long period of time, the player should be turned off.

AVOID WATER AND MAGNETS

Keep the player away from cup holders. If liquids are spilled into the player, serious damage could occur.

Keep magnetic objects, such as speakers, at a distance from the player.

STACKING

Place the player in a horizontal position, and do not place anything heavy on it. Do not place the player on amplifiers or other equipment which may become hot.

CONDENSATION

Moisture may form on the lens in the following conditions:

- Immediately after a heater has been turned on.
- In a steamy or very humid vehicle.

NOTE: If moisture forms inside this player, it may not operate properly. In this case, turn the power on and wait about one hour for the moisture to evaporate.

Important Information

FCC NOTICE

This device complies with Part 15 of FCC rules. Operation is subject to the following two conditions: (1) This device may not cause harmful interference, and (2) this device must accept any interference received, including interference that may cause undesired operation.

Changes or modifications not expressly approved by the party responsible for compliance could void the user's authority to operate this device.

YOUR WARRANTY

Your warranty registration must be completely filled out and returned within 10 days of purchase. Your product warranty will not be validated if your warranty registration is not returned. Make sure you receive the warranty registration from your dealer. It is also necessary to keep your proof of purchase, which reflects that the product was installed by an authorized dealer.

Features

FEATURES

- Compatible with DVD, Super-VCD, VCD, CD, and MP3 discs.
- Compatible with PAL DVD and NTSC DVD.
- L/R stereo analog audio outputs (RCA) for connection to existing head unit aux inputs or audio amplifiers.
- Audio/digital to analog converter.
- Accepts double-layered discs.
- 10 bit video D/A converter reproduces images faithfully.
- Auxiliary inputs for use with optional video game console.

ACCESSORIES

- Remote control
- Two AAA batteries
- Owner's and installation guide
- External remote sensor
- Mounting fittings/brackets
- DC 12V power source cord

NOTE: This manual makes reference to optional accessories not included with this product.

Disc Notes

DISC FORMATS SUPPORTED BY THIS PLAYER



DVD

12 cm disc/8 cm disc
(Single-sided disc only)



Video CD

12 cm disc/8 cm disc



Super-VCD

12 cm disc



CD/MP3

12 cm disc/8 cm disc

DISC FORMATS NOT SUPPORTED BY THIS PLAYER

- DVD-ROM
- DVD-R/ DVD-RAM
- CD-RAM
- CDV
- CD-G
- Photo CD

HANDLING AND CLEANING

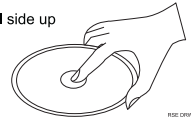
- Dirt, dust, scratches, and warping discs will cause misoperation.
- Do not place stickers or make scratches on discs.
- Do not warp discs.
- A disc should always be kept in its case when not in use to prevent damage.
- Do not place discs in the following places:
 1. Direct sunlight.
 2. Dirty, dusty, and damp areas.
 3. Near car heaters.
 4. On the seats or dashboard.

DISC CLEANING

Use a dry soft cloth to wipe the surface. If the disc is quite dirty, use a soft cloth slightly moistened with isopropyl (rubbing) alcohol. Never use solvents such as benzine, thinner, or conventional record cleaners as they may mar the surface of the disc.

NOTE: A disc may become somewhat scratched (although not enough to make it unusable) depending on how it is handled and conditions in the usage environment. These scratches are not an indication of any problem with the player.

Label side up



DISC-CP19-4

Do not touch the underside of the disc



DISC-CP19-5

Do not bend



DISC-CP19-4



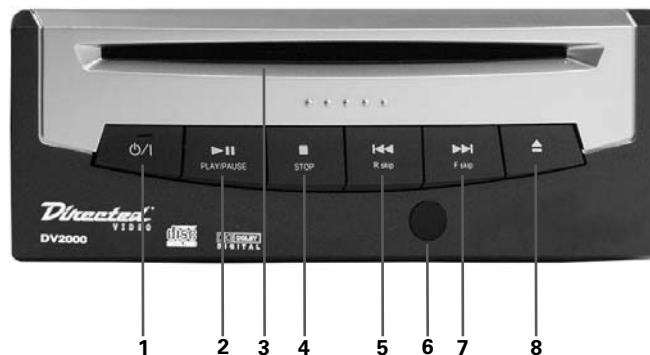
Wipe the disc from the center toward the outside edge

DISC-CP19-4

Front Panel Operation

FRONT PANEL FEATURES

1	Power Button	Turns the unit on and off.
2	Play/Pause Button	Begins or pauses playback.
3	Disc Slot	Insert disc into the slot.
4	Stop Button	Stops playback.
5	Reverse Skip Button	Skips to the previous chapter/track.
6	Remote LED Receiver	Receives remote control command.
7	Forward Skip Button	Skips to the next chapter/track.
8	Eject Button	Opens and closes the disc tray.



FRONT PANEL CONTROLS

- Power ON/OFF - Press **POWER** (1) to turn the unit on/off.
- Loading a Disc - Insert the disc (label side up) into the **DISC SLOT** (3).
- Ejecting a Disc - Press **EJECT** (8) and the disc will slide out.
- Begin Playback - Press **PLAY/PAUSE** (2) and playback will begin. Press again to pause playback.
- Stop Playback - Press **STOP** (4) and playback will cease.
- Resume Playback - Press **PLAY/PAUSE** (2) and playback will resume.

Remote Operation

REMOTE CONTROL BATTERY

- Battery Installation
 - Pull down on the tab located on the back of the remote control and pull the battery cover off.
 - Insert the batteries while observing the correct (+) and (-) polarities.
 - Click the battery cover back into place on the back of the remote control.
- Service life of batteries - The batteries normally last for about six months, although this depends on how often the remote control is used.
- If the remote control until fails to work, even when it is operated near the player, replace the batteries.
- Use size AAA batteries.
- Do not drop, step on, or otherwise impact the remote control unit.
- Do not mix old and new batteries.
- If the remote control is not going to be used for a long time, remove the batteries.

REMOTE CONTROL OPERATION RANGE

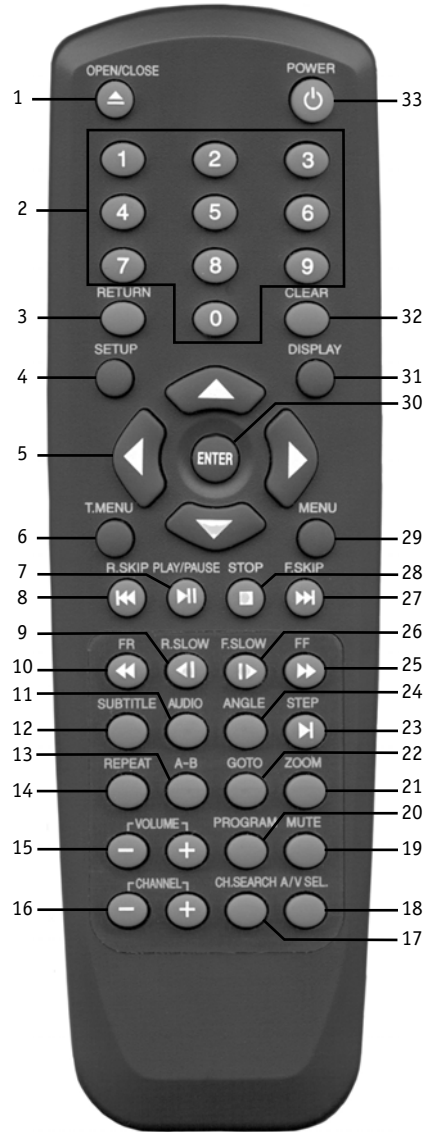
The remote control should not be used from more than about 23 feet (7m) from the remote control sensor and within about 60 degrees of the front of the player. The operating distance may vary according to the brightness of the vehicle interior.

PRIOR TO USE

- During playback, the TV volume may be at a lower level than other source units. If this is the case, adjust the volume to the desired level.
- Connect the DVD player according to the instructions in the *Installation* section of this guide.
- If the DVD player is connected to the monitor through a VCR, the picture may not be played back normally. It is strongly recommended not connecting the DVD player through a VCR.
- Check the following before using the DVD player:
 - The monitor and audio equipment are properly connected to the player.
 - The power for the monitor and audio equipment is turned on.
 - The input setting for the monitor and audio equipment is properly selected.

Remote Control Functions

BUTTON	FUNCTION
1	Open/Close
2	Numerals
3	Return
4	Setup
5	Directional
6	Title Menu
7	Play/Pause
8	Reverse Skip
9	Rewind Slow
10	Fast Rewind
11	Audio
12	Subtitle
13	A-B
14	Repeat
15	Volume
16	Channel
17	Channel Search
18	A/V Select
19	Mute
20	Program
21	Zoom
22	Go To
23	Step
24	Angle
25	Fast Forward
26	Forward Slow
27	Forward Skip
28	Stop
29	Menu
30	Enter
31	Display
32	Clear
33	Power



Basic Operation

Operations in this section are common for all discs types (DVD, CD, Video CD, and Super-VCD).

TURNING THE PLAYER ON/OFF

Press **POWER** (20) on the remote control to turn the player on, off, or to standby mode.

PLAY DISC

1. Press **POWER** (33) to turn on the player.
2. Holding the disc by its edge, slide it into the disc slot with the label side up.
3. Press **PLAY/PAUSE** (7); the disc will begin playing.
4. If the disc doesn't begin playback automatically, press **PLAY/PAUSE** (7) again.

STOP DISC

Press **STOP** (28) once to stop play. Press **PLAY/PAUSE** (7) to resume playback.

REMOVE DISC

Press **OPEN/CLOSE** (1) to eject the disc for removal.

PAUSE/RESUME PLAY

Press **PLAY/PAUSE** (7) to pause play. Press **PLAY/PAUSE** (7) to resume play.

VOLUME CONTROL

The audio output volume can be controlled using the volume buttons. Press either **VOLUME** (15) button, and a volume bar graphic will appear in the OSD indicating the volume level.

Press repeatedly or hold the volume button to raise or lower the volume.

SLOW REWIND/SLOW FORWARD

Slow motion playback can be done by pressing the **R.SLOW** (9) or **F.SLOW** (26) buttons once. Press **PLAY/PAUSE** (7) to resume playback at normal speed.

FAST REWIND/FAST FORWARD

Fast forward play or fast rewind play through chapters/tracks can be done using the **FR** (10) or **FF** (25) buttons during playback.

1. Press the right **FF** (25) button repeatedly to fast forward play at 2x, 4x, 6x, and 8x normal speed.
2. Press the left **FR** (10) button repeatedly to fast rewind play at 2x, 4x, 6x, and 8x normal speed.
3. Press **PLAY/PAUSE** (7) to resume playback at normal speed.

NOTE: Each time the button is pressed the rate of play will appear in the OSD.

SKIP TRACKS/CHAPTERS

Moving forward or back a chapter or track at a time can be done by using the **FSKIP** (27) or **RSKIP** (8) buttons.

1. Press **FSKIP** (27) to advance to the next chapter/track on the disc.
2. Press **RSKIP** (8) to return to the previous chapter/track on the disc.

REPEAT PLAY

Chapters and tracks can be repeated during playback. Press **REPEAT** (14) during playback to toggle through the following repeat functions.

- **REPEAT CHAPTER/TRACK** - Repeats the DVD chapter or the audio CD track.
- **REPEAT TITLE/ALL** - Repeats the DVD title or the Audio CD title.

TIMED REPEAT PLAY

Sections of chapters/tracks can be chosen and repeated with the **A-B** (13) button.

1. Press **A-B** (13) during playback; A will be displayed on the monitor. This will set the starting point of timed repeat.
2. Press **A-B** (13) again; B will be displayed on the monitor. This will set the ending point of timed repeat. The player will then repeat the disc information between points A and B.
3. Press **A-B** (13) again to turn timed repeat off.

NOTE: Some disc recording software may not allow the timed repeat operation on certain discs.

MUTE AUDIO

Audio can be muted at any time during playback.

1. Press **MUTE** (19) to mute the audio portion of the disc during playback.
2. Press again to resume audio playback.

ZOOM PLAY

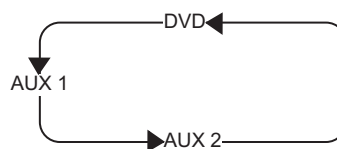
Press **ZOOM** (21) during playback to enlarge the picture to twice its size. Press **ZOOM** (21) again to enlarge the picture to three times its size. Then use the **DIRECTION BUTTONS** (5) to move the picture. To return the picture to normal size, press **ZOOM** (21) repeatedly until **ZOOM OFF** appears in the OSD.

ON-SCREEN DISPLAY

Press **DISPLAY** (31) at anytime to display information about the current disc in the player. After 10 seconds the OSD will disappear from the screen.

AUXILIARY INPUT

With the output of the auxiliary source connected to the auxiliary input, press **A/V SEL** (18) to toggle through the available sources. When in the auxiliary position, **AUX** will be displayed on the monitor and the signal from the auxiliary source (if powered on) will be displayed on the monitor. In the auxiliary position, volume will still be controlled with the remote control.



AUX1	Front A/V Input
AUX2	Rear A/V Input

Advanced Operation

DVD OPERATION

SETUP MENU

The setup menu has selections for disc playback setup that usually include audio, language, subtitles, playback, and special features. The available selections are determined by the recorded material on the disc.

1. Press **SETUP** (4) on the remote and the title menu will be displayed.
2. Press the **DIRECTION BUTTONS** (5) to highlight a title.
3. Press **PLAY/PAUSE** (7) to begin title playback

ROOT MENU

The root menu has selections for program playback including chapters and special features.

1. Press **MENU** (29) anytime to display the root menu.
2. Use the **DIRECTION BUTTONS** (5) to highlight a menu item.
3. Press **PLAY/PAUSE** (7) to begin playback.

SLOW MOTION PLAYBACK

A disc may be viewed in slow motion using the **F SLOW** (26) and **R SLOW** (9) buttons.

1. Press **F SLOW** (26) or **R SLOW** (9); playback will continue at the rate of speed indicated on the display.
2. Press repeatedly to toggle through the available slow motion playback speeds.

3. Press **PLAY/PAUSE** (7) to return to normal playback speed.

NOTE: The rate of slow motion playback will be displayed in the On-Screen Display (OSD).

FRAME ADVANCE

The picture can be advanced one frame at a time with the **STEP** (9) button.

1. During playback press **STEP** (23) to pause playback.
2. Press **STEP** (23) repeatedly at this time to advance the image one frame at a time.
3. Press **PLAY/PAUSE** (7) to return to normal playback.

SUBTITLES OPERATION

During playback, subtitles can be turned on and off, and the subtitle language can be changed on discs with multiple subtitle language capabilities.

1. Press **SUBTITLE** (12) during playback; the subtitles indicator will be displayed.
2. Press the **DIRECTION BUTTONS** (5) to scroll through the language selection.
3. Press **DISPLAY** (31) to clear the screen.

NOTE: If the subtitles are not displayed immediately, follow steps one and two until it is displayed.

If a disc that supports closed captioning is being played, the subtitles may overlap the closed caption on the monitor. Turn the subtitles off to avoid this.

VIEWING ANGLE

Many DVDs have scenes that are recorded from multiple angles. These scenes can be viewed from other angles by using the ANGLE (24) button.

1. Press **ANGLE** (24); the angle the scene is viewed from will change and the angle mark will appear in the on-screen display.
2. Press **ANGLE** (24) repeatedly to change to different viewing angles.
3. Press **DISPLAY** (31) to clear the screen.

ON-SCREEN DISPLAY (OSD)

Information about the current disc being played can be displayed on screen.

1. Press **DISPLAY** (31) to turn the OSD on/off.

CD/VCD OPERATION

BASIC CD/VCD OPERATION

Stop Disc, OSD, Mute, Fast Forward/Fast Rewind, Play/Pause, Volume, Skip Tracks, Audio Mode, and Repeat Play operate as described in the *Basic Operation* section of this guide.

Load an Audio CD; the disc information will be displayed on-screen.

DISC PLAYBACK

Press **PLAY/PAUSE** (7) to begin playback; the screen will show the track information. Some VCDs require number input.

MP3 OPERATION

BASIC MP3 OPERATION

Stop Disc, OSD, Mute, Play/Pause, Volume, Skip Tracks, Audio Mode, and Repeat Play operate as described in the *Basic Operation* section of this guide.

Load a disc with MP3 files into the player. The disc information will appear on screen.

If the menu appears on more than one page the << >> icons will be displayed. Use the **DIRECTIONAL** (5) buttons to move to the additional menu pages.

Use the **DIRECTIONAL** (5) buttons to highlight an ALBUM or ROOT then press **PLAY/PAUSE** (7). If an ALBUM is selected, the album sub-menu will be displayed. If ROOT is selected, the track titles will be displayed since there are no albums titled.

Use the **DIRECTIONAL** (5) buttons to select the desired track and press **PLAY/PAUSE** (7) to begin playback. During playback information will be displayed on screen.

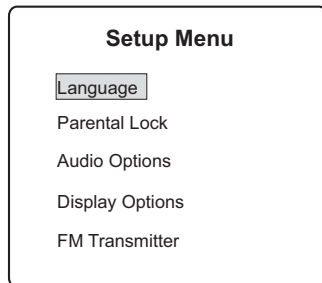
Setup Menu

The setup menu contains settings for disc playback and should be used to adjust the DVD player according to the disc being played, personal preferences, and the type of equipment the DVD player is connected to.

NOTE: Make sure there is no disk in the player prior to accessing the Setup Menu.

SETUP MENU NAVIGATION

1. Press **SETUP** (4) to enter or exit the Setup Menu.



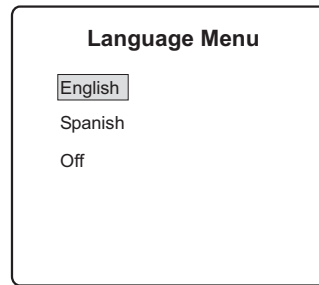
RSE-DRW 151

2. Use the **DIRECTION BUTTONS** (5) to highlight a selection from the Setup Menu.
3. Press the **PLAY/PAUSE** (7) button to enter the selections menu page.
4. Use the **DIRECTION BUTTONS** (30) to highlight a selection in this menu page. As each selection is highlighted, a submenu of possible settings will be displayed to the right. Use the right **DIRECTION BUTTON** (5) to enter the sub-menu.
5. Use the **DIRECTION BUTTONS** (5) to highlight a setting in the submenu, and then press the **PLAY/PAUSE** (7) button to confirm the setting.

6. Use the left **DIRECTION BUTTON** (5) to exit the submenu.
7. To exit the Setup Menu at any time press the **SETUP** (4) button.

LANGUAGE MENU

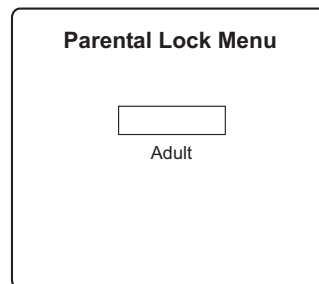
The Language Menu allows the user to change the subtitle language.



RSE-DRW 152

PARENTAL LOCK MENU

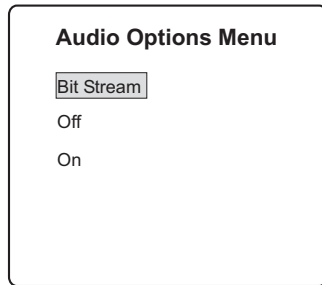
The Parental Lock Menu allows the user to have parental control over the DVDs played.



RSE-DRW 153

AUDIO MENU

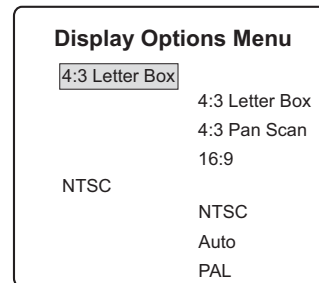
The Audio Menu allows the user to change audio type or to turn the audio off.



RSE-DRW 154

DISPLAY OPTIONS MENU

The Display Options Menu allows the user to determine the size of the screen and what format the DVD is to be played back in.



RSE-DRW 155

SCREEN FORMAT

NOTE: This is controlled in the display options of the Setup Menu.

TV SYSTEM

NTSC is the default setting and is the standard system for video monitors in North America.

PAL, PAL 60, and PAL M are settings for monitors outside the North American continent. Consult your authorized dealer for the proper setting.



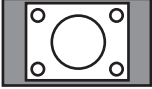
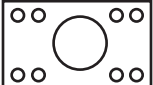

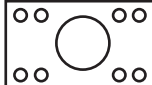
Auto will automatically adjust the player output to match the monitor type.

If the picture has no color, abnormal color or the video doesn't play properly, check the monitor and player settings to make sure they are the same.

TV SHAPE

DVDs and VCDs have several screen formats that are usually indicated on the package. First determine the screen format for the disc you are playing and adjust the player accordingly.

The graphic below gives a depiction of how different disc formats will look on a monitor.

Picture Format on Disc	TV Screen Size		
	4:3		16:9
	Pan Scan	Letter-Box	
4:3			
16:9			

Installation

CONNECTING TO A STEREO TV

BASIC CONNECTION

- Do not block ventilation holes of the DVD player and arrange it so air can circulate freely.
- Read these instructions thoroughly before connecting audio and video cables.
- Ensure that you observe the color coding when connecting audio and video cables.

REMOTE CONTROL

To install the external remote sensor, simply plug it into the REMOTE IN socket located at the rear of the DVD and route the sensor cable to the front of the vehicle, mount the sensor in a convenient location so that the remote control is in the line of sight of the external remote sensor.

- Before installing the unit, connect the wiring temporarily and test the system for proper operation.
- Use only the parts included with the unit to ensure proper operation. The use of unauthorized parts can cause malfunctions. Consult with your nearest dealer if installation requires the drilling of holes or other modifications of the vehicle.
- Install the unit where it does not get in the driver's way and cannot injure the passenger if there is a sudden or emergency stop.

- Avoid installing the unit where it would be subject to high temperature, such as direct sunlight, hot air from the heater, or where it would be subject to dust, dirt, or excessive vibration.

NOTE: Do not mount the unit where it will be stepped on or where items will be placed on top of or spilled into the unit.

MOUNTING THE UNIT

This unit can be mounted by using the brackets supplied in the kit. Attach the mounting brackets as shown in the drawing below according to the final mounting position of the player.

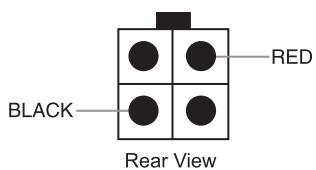
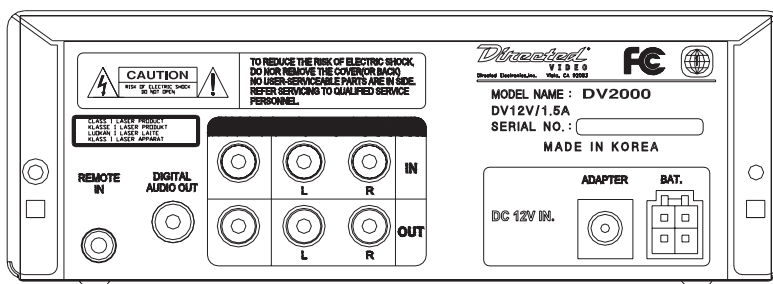
If mounting the player under a seat, attach the brackets using the bottom holes. This will allow the player sufficient ventilation for proper operation and avoid moisture collection that may cause improper operation.

Always mount the player to a solid location to avoid possible vibration and shock.

NOTE: The DV2000 can be mounted vertically or horizontally for greater versatility.

WIRING CONNECTIONS

1. **POWER CONNECTOR** - The RED fused power wire must be connected to a wire that has (+) 12 volts when the key is in the accessory position. The BLACK ground wire must be connected to a paint-free, clean metal chassis point, preferably scraped sheet metal.
2. **EXTERNAL REMOTE CONTROL CONNECTOR** - Insert the 1/8" pin plug for the External Remote Sensor eye into this socket.
3. **VIDEO SIGNAL** - Connect the YELLOW Composite Video RCA cable to this jack.
4. **AUDIO SIGNAL** - Connect the system L/R stereo Audio RCA cables to these jacks.



Troubleshooting

PROBLEM	SOLUTION
NO SOUND	<ol style="list-style-type: none">1. Using the remote control, make sure the volume is not lowered.2. Check all audio cable connectors in the system for loose or improper connections.3. Test system components for proper power and operation.4. Make sure that none of the components is in MUTE mode.
NO PICTURE	<ol style="list-style-type: none">1. Check all video cable connectors in the system for loose or improper connections.2. Test system components for proper power and operation.3. Make sure the monitor is turned on and set to the proper channel or input zone.
NO REMOTE FUNCTION	<ol style="list-style-type: none">1. Remove any objects that may be blocking the IR eye.2. Make sure the remote IR eye is fully plugged into the connector on the rear panel.3. Test and replace any depleted remote control batteries.
PARTIAL OR NO DISPLAY	<ol style="list-style-type: none">1. Inspect the disc for damage or dirt.2. Check the monitor power and video cables for loose connections.3. Check the system setting to make sure all components are set for the same system type.
DISC WON'T EJECT	<ol style="list-style-type: none">1. Wait 10 seconds before pressing the EJECT button again.2. If the disc won't eject with the EJECT button on the front panel use the EJECT button on the remote control.
FORGOT YOUR PASSWORD	<ol style="list-style-type: none">1. Press POWER from a cold start with the unit off. Press the R, SKIP and F.SKIP buttons on the front panel and press ENTER on the remote at the same time .2. Press the SETUP button on the remote control to select the Parental Mode. The Parental Mode is now unlocked as indicated on the display. Press the DOWN button to select Parental Mode. Press UP; the Create Password display will appear. Press ENTER. You can now set your rating level and change your password to a new number.

Specifications

Power Requirements:	DC + 12V \pm 3V
Power Consumption:	18 Watts
DVD Reading Speed:	11.45 ft/sec.
DVD Approx. Play Time:	135 min. (Single-sided, single-layer disc)
CD Reading Speed:	3.9 to 4.6 ft/sec.
CD Maximum Play Time (5"):	74 min.
CD Maximum Play Time (3.5"):	20 min.
VCD Reading Speed:	3.9 to 4.6 ft/sec.
VCD Maximum Play Time:	74 min. (Video and audio)
Composite Video:	1 Channel: 1.0 Vp-p (75 Ω load)
Frequency Response:	48 kHz Sampling: 4Hz to 22 kHz 96 kHz Sampling: 4Hz to 44 kHz
S/N Ration:	110 dB
Dynamic Range:	100 dB
Total Harmonic Distortion:	0.02%
Video Input:	1.0 Vp-p 47k ohm unbalanced, RCA jack
Audio Input:	Line Input -8.8 dBm, 47k ohm minimum

NOTE: Specifications and design are subject to modification, without notice, due to improvements in technology.

The company behind this system is Directed Electronics, Inc.

Since its inception, Directed has had one purpose, to provide consumers with the finest vehicle security, car audio products, rear seat entertainment, and accessories available. The recipient of more than 20 patents in the field of advanced electronic technology, Directed is ISO 9001 registered.

Quality Directed Electronics products are sold and serviced throughout North America and around the world.

Call (800) 274-0200 for more information about our products and services.



DEI is an ISO 9001 registered company.

Directed® is committed to delivering world-class quality products and services that excite and delight our customers.



Directed Electronics, Inc.
Vista, CA 92083
www.directed.com

© 2002 Directed Electronics, Inc. - All rights reserved
N83202 12-02

Free Manuals Download Website

<http://myh66.com>

<http://usermanuals.us>

<http://www.somanuals.com>

<http://www.4manuals.cc>

<http://www.manual-lib.com>

<http://www.404manual.com>

<http://www.luxmanual.com>

<http://aubethermostatmanual.com>

Golf course search by state

<http://golfingnear.com>

Email search by domain

<http://emailbydomain.com>

Auto manuals search

<http://auto.somanuals.com>

TV manuals search

<http://tv.somanuals.com>