

SIR-PS1 Powered Subwoofer

User Guide



Congratulations!

Your new SIR-PS1 Powered Subwoofer lets you enjoy SIRIUS Satellite Radio digital entertainment to its fullest sonic range. Use this manual to install your Powered Subwoofer and to familiarize yourself with all the features and capabilities of the subwoofer. For the latest information about this and other products, visit www.directedsirius.com. For technical help regarding this product please contact Directed Electronics, Inc. at 1-800-753-0800.

Table of Contents

Box Contents	3	Tuning	6
Safety Precautions	3	Back Panel Connections/Controls	7
Cleaning the Unit	4	Back Panel Controls	8
Installation Preparation	4	Specifications	9
Mounting Subwoofer	5	Limited One Year Consumer Warranty	10
Connections	5		
Power	5		
Audio	5		

Box Contents

Unpack your SIR-PS1 Powered Subwoofer carefully and make sure that everything listed below is present:

1. Powered Subwoofer
2. Mounting plates with hardware
3. Power cabling kit
4. High Level Input harness

Safety Precautions



Warning

Observe the following precautions:

- Installation must be performed according to this user's guide. Directed Electronics and Sirius Satellite Radio are not responsible for issues arising from installations not performed according to the procedures in this manual.
- Do not install the unit where it may obstruct your view.
- The installation and use suggestions contained in this manual are subject to any restrictions or limitations that may be imposed by applicable law—the purchaser should check applicable law for any restrictions or limitations before installing and/or operating this unit.

- Failure to mount the unit securely following the instructions in the manual could allow the unit to move, causing personal injury or property damage.
- Failure to follow these safety instructions and warnings may result in a serious accident.



Warning

Take the following precautions to prevent fire and avoid personal injury:

- To avoid short circuits, never put or leave any metallic objects (coins, tools, etc.) on the unit.
- If the unit emits smoke or unusual odors, disconnect the power immediately and consult your authorized retailer.
- Do not drop the unit or subject it to strong shocks.



Warning

During installation and making electrical connections, observe the following safety instructions:

- Disconnect the negative terminal of the vehicle's battery. When doing so observe the vehicle manufacturer's safety instructions.
- Check before drilling any holes to avoid damaging

vehicle wiring or components.

- The minimum power wiring size is 12 gauge.
- Incorrect installation may cause interference with electronic vehicle systems or your car radio.



Caution

Take the following precautions to keep the unit in proper working order:

- Be sure the unit is connected to a 12V DC power source with a negative ground connection.
- Do not open the unit.
- Do not install the unit where it will be exposed to high levels of humidity, moisture, or dust. When replacing the fuse, use only a new one with the proper rating. Using a fuse with the wrong rating may cause the unit to malfunction.
- To prevent a short circuit when replacing a fuse, first disconnect the power wiring harness.

Note

If the unit doesn't seem to be working properly:

- Turn the unit's power off, wait 5–10 seconds, then turn the power back on again.
- If the problem persists, consult your local Sirius retailer.

Cleaning the Unit

If the unit becomes dirty, remove power from the unit and wipe it with a soft dry cloth. Do not use hard cloths or any solvents to clean the unit as these may damage the finish of the unit.

Installation Preparation

It is recommended that you have a professional installation accomplished by an authorized dealer.

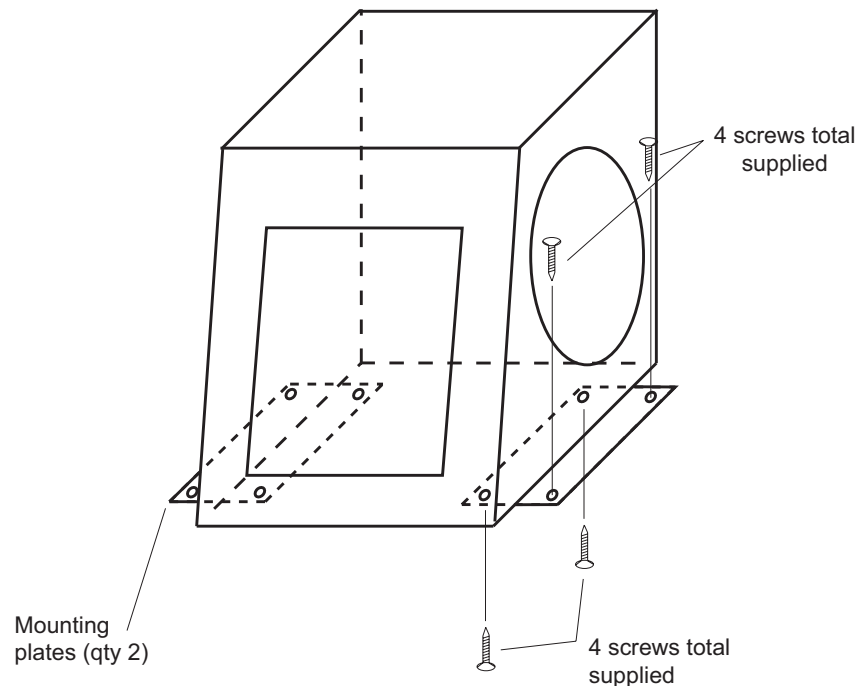
Ensure that the selected mounting surface for the subwoofer will provide a firm support to facilitate quality sonic reproduction.

Install a fuse in the power harness no more than a foot from the vehicle's battery, in order to protect the battery and the power cable in the event of a short-circuit between it and the power amplifier of the subwoofer. The fuse on the subwoofer is only intended to protect the amplifier.

Note: Before disconnecting the vehicle's negative battery lead, ensure that any required security code for the head unit is available. This code may be required to restore the head unit to normal operation.

Mounting Subwoofer

Mount speaker to floor of vehicle (trunk is one recommended place) and fasten as shown below.



Note: The mounting plates can be installed on any edge of the bottom surface of the subwoofer (shown above mounted on the left and right).

Be sure to mount to a surface that is clear of any electrical harnesses, fuel/brake lines, fuel tank, or any other components that could be damaged. Visually inspect the selected

mounting area underneath or the other side of the mounting surface to assure proper clearance is available for the mounting screws.

Connections

Power

1. Connect the +12V BATT terminal, using 12 gauge wire, to the positive side of the vehicle's battery. Be sure to install a fuse within 1 foot of the battery and that is the same rating as the fuse on the subwoofer.
2. Connect the ground terminal, using 12 gauge wire, to the frame of the vehicle, with as short of a run as possible, at a bare metal surface; preferably scraped body sheet metal. Do not use factory ground locations, seat bolts, or brackets that are spotwelded.
3. For aftermarket use connect the REM terminal to the source remote turn-on leads. The REM terminal is not used when using a source from a stock radio connected to the Hi Level input of the subwoofer (the subwoofer auto-senses the presence of audio and turns on or off automatically).

Audio

The subwoofer has two audio drive options. These are either from the preamplifier output terminals or the loudspeaker output terminals (high level) of the car stereo equipment.

Preamplifier output terminals are connected to the RCA phono jacks of the woofer box via shielded audio lines.

When using the loudspeaker output terminals (high level) as an audio drive source, run the input leads to the nearest loudspeakers (front or back), ensuring connection to both left and right audio channels. Ensure the polarity of the connections, + or -, is observed. Bridged output radios (BTL) can also be connected without an additional adapter. Make sure the speakers you are connecting to are driven by the radio as a full-range signal, not just the midrange or above.

Tuning

Before using your subwoofer, we recommend that you set the controls to the following positions.

1. Gain—at minimum
2. Phase—at 0°
3. Crossover—at 80 Hz
4. Turn on the system and select a music track from a CD or cassette that contains powerful bass.
5. Turn up your stereo's volume to the desired listening level.
6. Now slowly turn up the Gain control on the subwoofer until you clearly hear an increase in the bass level.

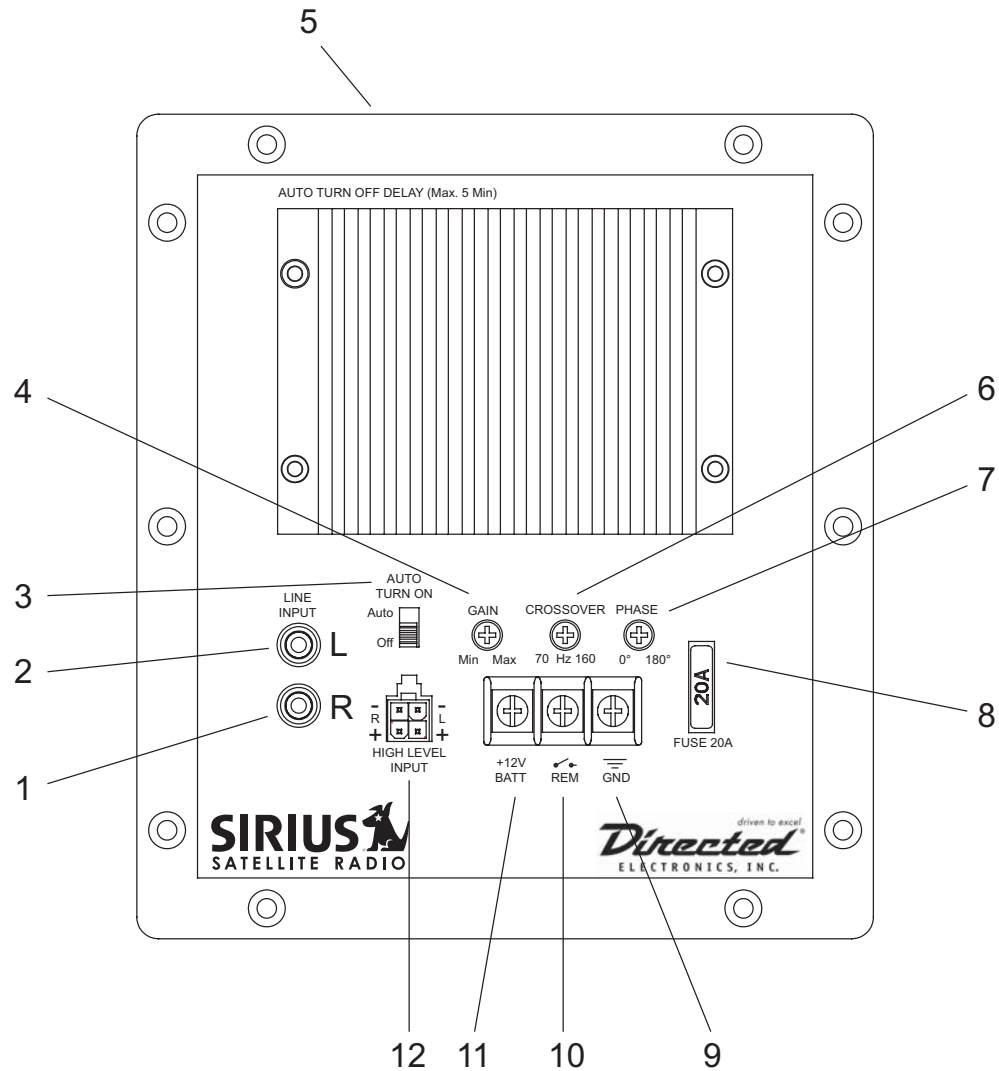
7. Next, using the Crossover control, select a crossover frequency that produces a well-balanced bass sound.

You may have to alternate between finely tuning the Gain control and the Crossover control to optimize the sound.

Check your tuning of your powered subwoofer with the Bass control on your head unit or radio fully turned up and, if necessary with the loudness switched on. Over amplification of the Powered Subwoofer caused by setting the sensitivity too high can lead to distorted reproduction and can irreparably damage the subwoofer.

The Phase control should be adjusted once the other adjustments are made. Adjust this control for the point where the bass sounds the most natural from your normal listening position. In most cases the "0" or "180" settings will be used.

Back Panel Connections/Controls



- 1, 2. Low Level RCA phono jack input
3. Auto Turn On switch (shown in off position)
Note: *In the “OFF” position the unit will only turn on if a REM wire has been connected.*
4. Gain adjust
5. Power Indicator LED (on top of unit)
6. Crossover adjust
7. Phase adjust
8. Fuse 20A
9. Ground (GND)
10. Remote (connect to remote turn-on (12V switched) from source or head unit.
11. +12VDC (battery)
12. High Level input jack

Back Panel Controls

Auto Turn On switch—when On, the subwoofer will automatically power up when audio is present on the Hi Level audio input, and power down (after a delay) when no audio is present on the Hi Level audio input.

Gain adjust—allows adjustment of the gain of the subwoofer.

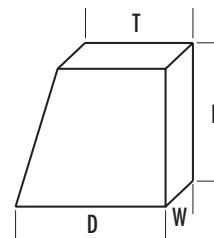
Crossover adjust—allows adjustment of the crossover frequency (70 to 160 Hz).

Phase adjust—allows adjustment of the audio phase between the input audio and the subwoofer speaker audio (0 to 180 degrees).

Powered Subwoofer

Specifications

Maximum Power	160 watts	High Level Input	5–50 watts
RMS Power	80 watts	Weight	16.5 lbs
Nominal Impedance	3 ohms/voice coil x 4	Frequency Response	20Hz–200Hz
Sensitivity (SPL @ 100Hz)	104dB	Fuse Size	20A
Phase	0–180°	Minimum Power Wire Gauge	12
Crossover	70–160Hz		
Input Sensitivity	0.2–8.0V		
Size— inches (mm)	8.9W x 10.7H x 10.6D x 8.4T (225W x 272H x 296D x 213T)		



Limited One Year Consumer Warranty

Directed Electronics, Inc. (herein "DIRECTED") promises to the original purchaser, to replace this product should it prove to be defective in workmanship or material under normal use, for a period of one-year from the date of purchase from the dealer as indicated by the date code marking of the product. During this one-year period, there will be no charge for this replacement **PROVIDED** the unit is returned to **DIRECTED**, shipping pre-paid. This warranty is non-transferable and does not apply to any unit that has been modified or used in a manner contrary to its intended purpose, and does not cover damage to the unit caused by installation or removal of the unit. This warranty is void if the product has been damaged by accident or unreasonable use, neglect, improper service or other causes not arising out of defects in materials or construction. Units which are found to be damaged by abuse resulting in thermally damaged voice coils are not covered by this warranty but may be replaced at the absolute/sole discretion of **DIRECTED**. **ALL WARRANTIES, INCLUDING BUT NOT LIMITED TO EXPRESS WARRANTY, IMPLIED WARRANTY, WARRANTY OF MERCHANTABILITY, FITNESS FOR PARTICULAR PURPOSE, AND WARRANTY OF NONINFRINGEMENT OF INTEL-**

LECTUAL PROPERTY ARE EXPRESSLY EXCLUDED TO THE MAXIMUM EXTENT ALLOWED BY LAW, AND DIRECTED NEITHER ASSUMES NOR AUTHORIZES ANY PERSON TO ASSUME FOR IT ANY LIABILITY IN CONNECTION WITH THE SALE OF THE PRODUCT. DIRECTED HAS ABSOLUTELY NO LIABILITY FOR ANY AND ALL ACTS OF THIRD PARTIES INCLUDING ITS AUTHORIZED DEALERS OR INSTALLERS. Unit must be returned to **DIRECTED**, postage prepaid, with bill of sale or other dated proof of purchase bearing the following information: consumer's name, telephone number, and address, authorized dealer's name and address, and product description. Note: This warranty does not cover labor costs for the removal and reinstallation of the unit. **IN ORDER FOR THIS WARRANTY TO BE VALID, YOUR UNIT MUST BE SHIPPED WITH PROOF OF PURCHASE FROM AN AUTHORIZED DIRECTED DEALER. BY PURCHASING THIS PRODUCT, THE CONSUMER AGREES AND CONSENTS THAT ALL DISPUTES BETWEEN THE CONSUMER AND DIRECTED SHALL BE RESOLVED IN ACCORDANCE WITH CALIFORNIA LAWS IN SAN DIEGO COUNTY, CALIFORNIA.**

920-0020 06-05



G_SIR-PS1 06-05

SIRIUS, the SIRIUS dog logo and related marks are trademarks of SIRIUS Satellite Radio Inc.



Free Manuals Download Website

<http://myh66.com>

<http://usermanuals.us>

<http://www.somanuals.com>

<http://www.4manuals.cc>

<http://www.manual-lib.com>

<http://www.404manual.com>

<http://www.luxmanual.com>

<http://aubethermostatmanual.com>

Golf course search by state

<http://golfingnear.com>

Email search by domain

<http://emailbydomain.com>

Auto manuals search

<http://auto.somanuals.com>

TV manuals search

<http://tv.somanuals.com>