



**MODEL HVM580  
5.8"**

# Widescreen Headrest Monitor

© 2005 Directed Electronics, Inc. N81580 02-05

## ***NON-TRANSFERABLE LIMITED ONE YEAR CONSUMER WARRANTY***

.....

Directed Electronics, Inc. (Directed) promises to the original purchaser that the new automotive video monitor and/or source unit(s) (the Product) that is purchased and installed from a Directed authorized dealer more than ninety (90) days after the purchase of a new vehicle are warranted for a period of one (1) year from date of purchase of the Product.

Directed promises to the original purchaser that all video accessories will be free from defects in materials and workmanship under normal use and condition for a period of ninety (90) days after the date of purchase. A sales receipt and/or warranty registration card is required to provide proof of date of purchase of the Product or accessories.

Should the Product be determined defective during the applicable warranty period, the defect(s) will be repaired or replaced with a new or reconditioned part(s), at Directed's option. To obtain warranty service, the Product must be returned to a Directed authorized dealer along with proof of purchase and installation.

Note: This warranty does not cover labor costs for the removal and reinstallation of the Product. **IN ORDER FOR THIS WARRANTY TO BE VALID, YOUR PRODUCT MUST BE SHIPPED WITH PROOF OF PURCHASE AND INSTALLATION BY AN AUTHORIZED DIRECTED DEALER. ALL PRODUCTS RECEIVED BY DIRECTED FOR WARRANTY REPAIR WITHOUT PROOF OF DIRECTED DEALER INSTALLATION WILL BE DENIED.**

This warranty is non-transferable and does not apply to any Product that has been modified or used in a manner contrary to its intended purpose, and does not cover damage to the Product caused by installation or removal of the Product. This warranty is **VOID** if the product has not been purchased from an authorized Directed dealer or has been damaged by accident or unreasonable use, negligence, acts of God, neglect, improper service or other causes not arising out of defect in materials or construction. This warranty does not cover the elimination of externally generated static or noise, or the correction of antenna problems or weak television reception, damage to tapes, video games, software, camcorders, discs, speakers, accessories or vehicle electrical systems, cosmetic damage or damage due to negligence, misuse, abuse, failure to follow operating instructions, accidental spills or customer applied cleaners, damage due to environmental causes such as floods, airborne fallout, chemicals, salt, hail, windstorms, lightning or extreme temperatures, damage due to accidents, road hazards, fire, theft, loss or vandalism, damage due to improper connection to equipment of another manufacturer, modification of existing equipment, use of a faulty tape cartridge or cleaning of the VCR head, or Product which has been opened or tampered with for any reason or which has been damaged due to alteration or service performed by anyone other than Directed Electronics, Inc.

**ALL WARRANTIES INCLUDING BUT NOT LIMITED TO EXPRESS WARRANTY, IMPLIED WARRANTY, WARRANTY OF MERCHANTABILITY, FITNESS FOR PARTICULAR PURPOSE, AND WARRANTY OF NON-INFRINGEMENT OF INTELLECTUAL PROPERTY ARE EXPRESSLY EXCLUDED TO THE MAXIMUM EXTENT ALLOWED BY LAW, AND DIRECTED NEITHER ASSUMES NOR AUTHORIZES ANY PERSON TO ASSUME FOR IT ANY LIABILITY IN CONNECTION WITH THE SALE OF THE PRODUCT. DIRECTED HAS ABSOLUTELY NO LIABILITY FOR ANY AND ALL ACTS OF THIRD PARTIES INCLUDING ITS LICENSED DEALERS OR INSTALLERS. IN NO EVENT WILL DIRECTED ELECTRONICS, INC. BE LIABLE FOR ANY INCIDENTAL, SPECIAL OR CONSEQUENTIAL DAMAGES (INCLUDING LOSS OF PROFITS), BY PURCHASING THIS PRODUCT, THE CONSUMER AGREES AND CONSENTS THAT ALL DISPUTES BETWEEN THE CONSUMER AND DIRECTED SHALL BE RESOLVED IN ACCORDANCE WITH CALIFORNIA LAWS IN SAN DIEGO COUNTY, CALIFORNIA.**

Some states do not allow limitation on how long an implied warranty lasts. In such states, the limitations or exclusions of this Limited Warranty may not apply. Some states do not allow the exclusion or limitation of incidental or consequential damages. In such states, the exclusion or limitation of this Limited Warranty may not apply to you. This Limited Warranty gives you specific legal rights, and you may have other rights which vary from state to state.

Some states do not allow the exclusion or limitation of incidental or consequential damages. In such states, the exclusion or limitations of this Limited Warranty may not apply to you. This Limited Warranty gives you specific legal rights and you may have other rights which vary from state to state.

# *Table of Contents*

---

Non-Transferable Limited ONE YEAR Consumer Warranty . . . . .	.2
Important Notes . . . . .	.4
Introduction . . . . .	.5
What is Included . . . . .	.5
Installation—Pedestal Mount (Optional) . . . . .	.6
Installation—Seat Head Rest . . . . .	.7
Electrical Connections—General . . . . .	.8
Electrical Connections—Optional . . . . .	.9
Monitor Controls . . . . .	.10
Remote Control . . . . .	.11
Display Mode . . . . .	.13
Maintenance . . . . .	.14

## *Important Notes*

---

1. Before operating your LCD Monitor system, please read these instructions carefully.
2. Retain this manual for future reference.
3. Do not remove any WARNING stickers on the unit.
4. Do not use any chemical solvent, cleaning agent or corrosive detergent to clean away dirt on the surface of the screen. Doing so may cause irreversible damage to the surface of the LCD screen. To clean off dirt or fingerprints, it is recommended that a soft-damp lens-cleaning cloth be used.
5. Using spare parts from another manufacturer may cause permanent damage to the unit.
6. Avoid installing the monitor screen in a position that is exposed to direct sunlight and hot air vents.
7. Install the unit in a dry location, avoid condensation.
8. Ensure that all wiring is properly connected before operating the unit.
9. Should the LCD panel break, avoid contact with the broken glass or fluid leaking out from the enclosure. If you come into contact, flush and clean the affected areas with plenty of water. Seek medical attention immediately.
10. When operating the monitor, avoid touching or pressing on the LCD screen. Excessive force will damage the LCD screen.
11. When installing this unit in a vehicle, ensure that the installation and use of this unit is in compliance with local vehicle rules and regulations.
12. Before replacing a blown fuse, turn the unit off and disconnect all power. Ensure the replacement fuse is of the same rating (5A) of the fuse being replaced.
13. If during operation the unit overheats or malfunctions, turn off the power and contact your dealer. Do NOT disassemble the unit, there are no user serviceable parts in the unit.
14. The battery (CR2025) in the remote control has a useful lifetime of approximately 6-months. To ensure proper and reliable operation, replace the battery in a timely manner.
15. The rated operating temperature range of the unit is 32°–92° F. Cool or warm the vehicle to within this temperature range prior to unit operation.
16. The picture viewing quality of this LCD is dependent on the installed location. Adjust the brightness control and/or the angle of the screen to achieve the optimum visual quality.

## *Introduction*

---

Congratulations on your purchase of the world's finest video entertainment system. At Directed we are committed to bringing you the most technologically advanced products available. We are pleased that you chose a Directed Video product. Through years of critical testing and hand craftsmanship, we have created a wide range of video entertainment products for your viewing pleasure.

This system incorporates the use of on screen display menu controls that allows you to configure the system to suit your own personal preferences.

To view other great products from Directed Electronics, please visit the Directed Video page at [www.directed.com](http://www.directed.com).

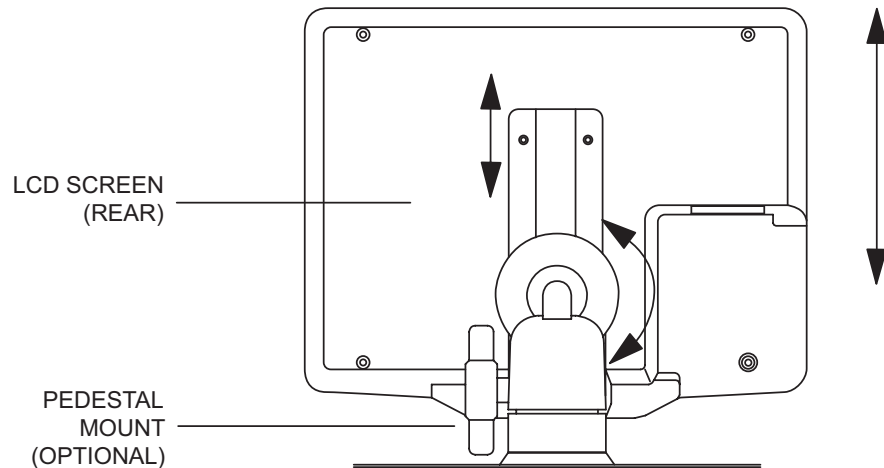
## *What is Included*

---

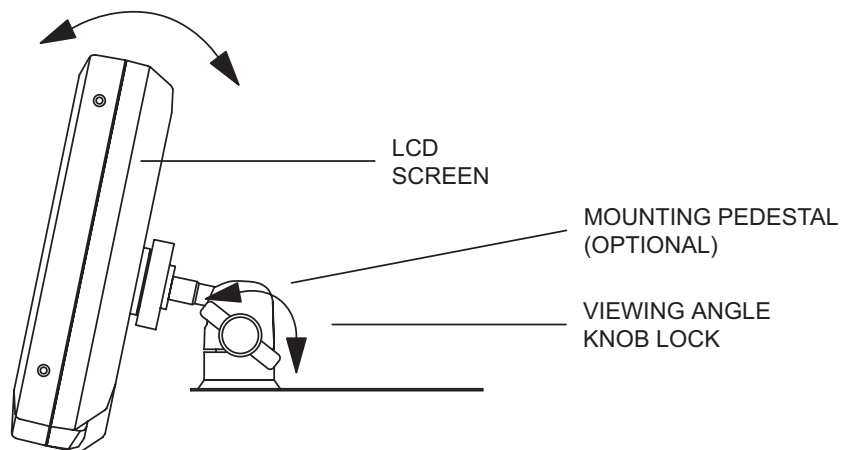
Quantity	Item
1	5.8" Monitor HVM580
1	AD-6865 Interconnection Box
1	Din connector interface cable 1.2m
1	Power Cable (4-conductor)
1	Instruction Manual
1	Remote Control (with CR2025 battery)
1	Mounting Shroud
4	Mounting Screws

## *Installation—Pedestal Mount (Optional)*

1. Slide monitor onto the pedestal mount and then tighten using fastener (the pedestal mount is optional).



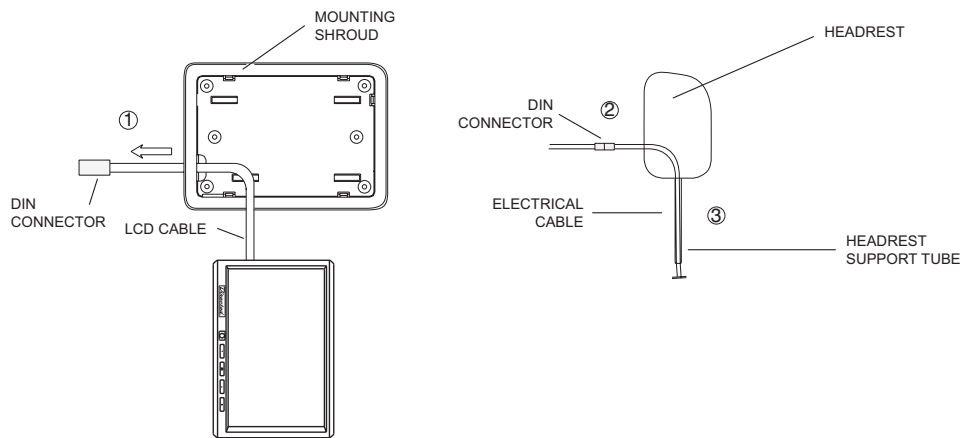
2. Firmly attach dash mount on a flat surface and adjust viewing angle of monitor by tightening the viewing angle knob at the side.



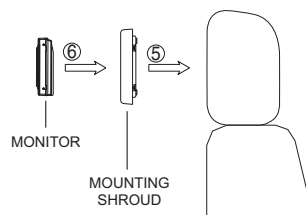
## Installation—Seat Head Rest

---

- 1 Pull the connecting cable assembly through the LCD mounting shroud as shown below.
2. Connect the Din interface cable to the cable from the monitor.
3. To install the monitor into the seat head rest you must ensure that the monitor connecting cable assembly has already been pulled through the mounting shroud and the head rest support tube. (As an alternative the cable can be routed beside the headrest support tube.)
4. Ensure that the the cable assembly is routed to prevent damage when the seat is adjusted. If the connecting cable is routed along side the headrest support tube ensure that it routed so that it will not be damaged when the headrest is adjusted.

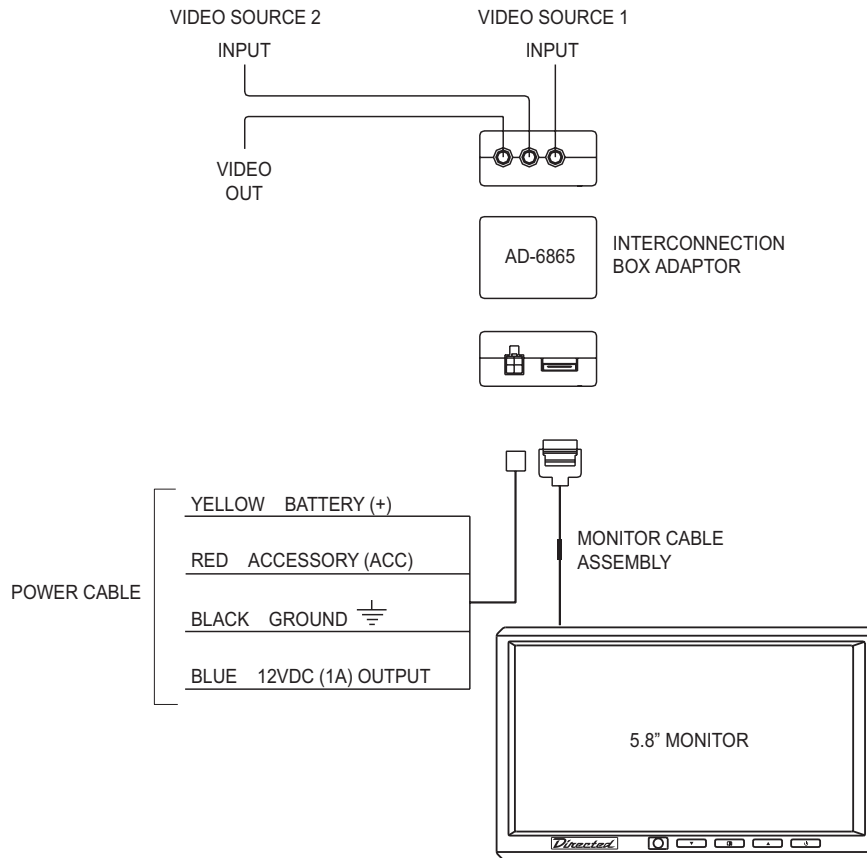


5. Place headrest shroud into the opening and secure it with correct fasteners.
6. Ensure that there is no foreign objects or other material trapped inside the LCD mounting shroud before pushing the monitor onto the shroud. Make sure that the monitor securely locks in place in the shroud.



# Electrical Connections—General

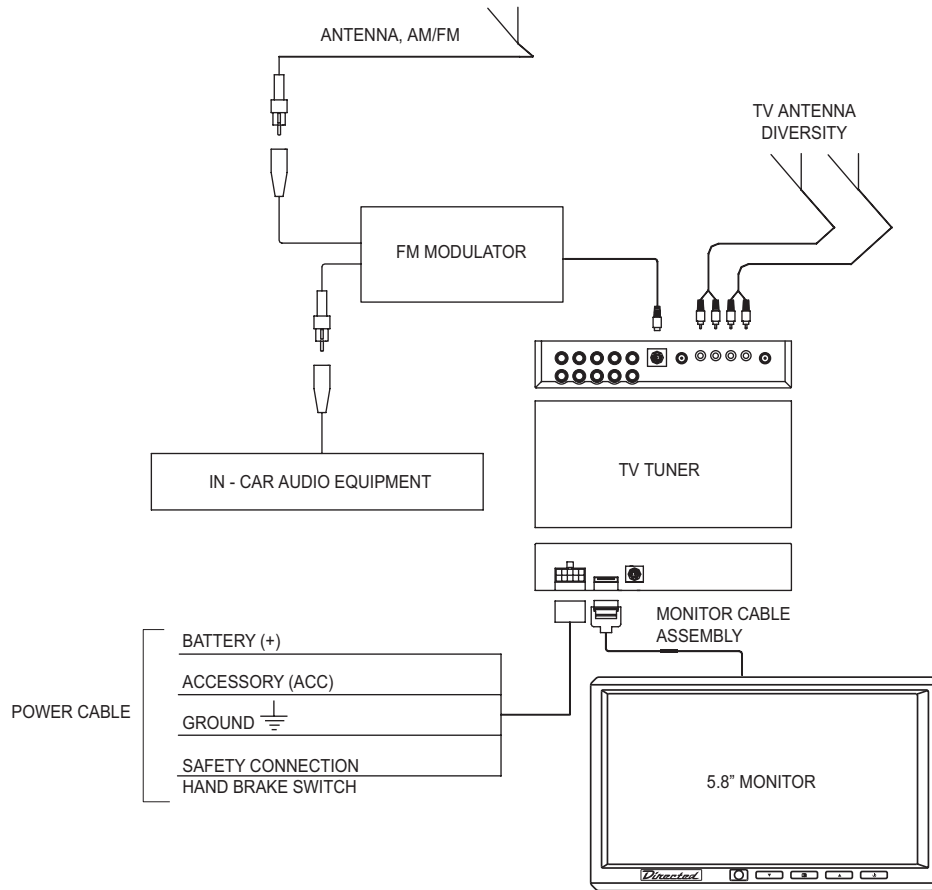
The following diagram shows the common connections for this system.



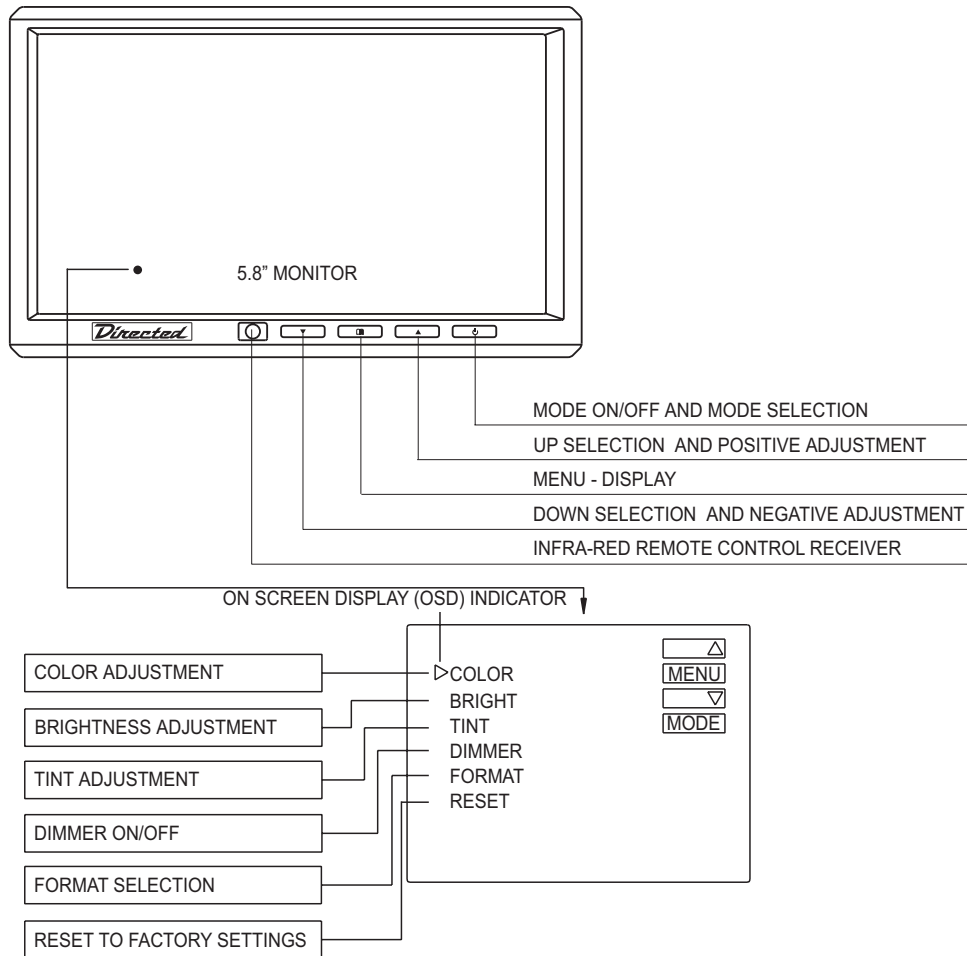


# Electrical Connections—Optional

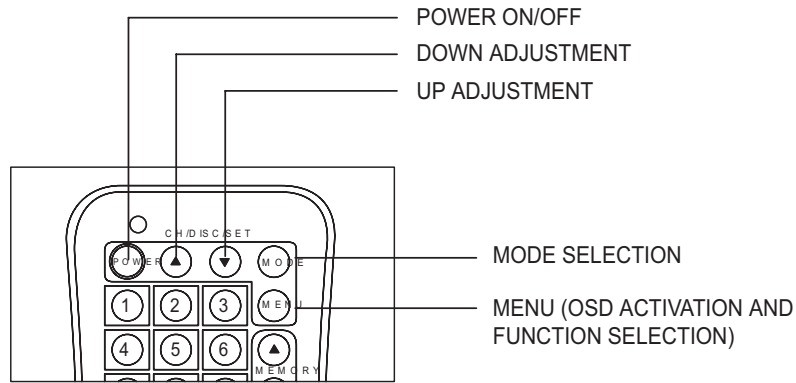
The following diagram shows the typical connections for TV and other optional equipment **NOT** provided with this system.



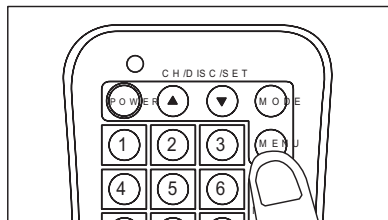
# Monitor Controls



# Remote Control

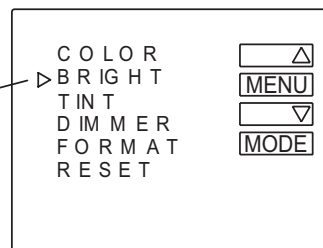
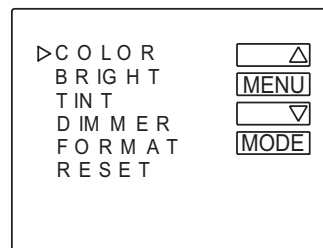


USING MENU FUNCTION KEY



OSD WILL APPEAR ON THE SCREEN

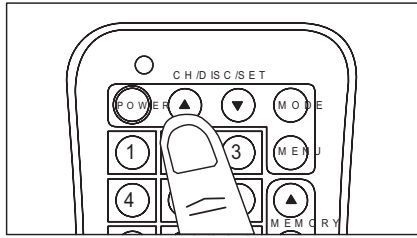
PRESS MENU KEY



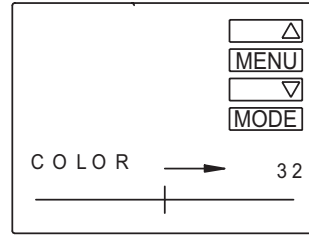
OSD INDICATOR

PRESS MENU KEY UNTIL OSD INDICATOR IS POSITIONED TO THE DESIRED FUNCTION

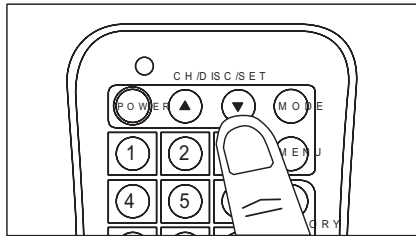
△ KEY



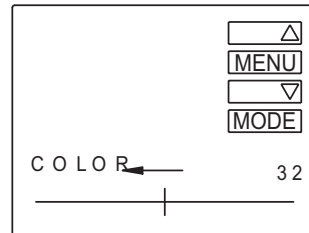
PRESS △ TO THE DESIRED SETTING



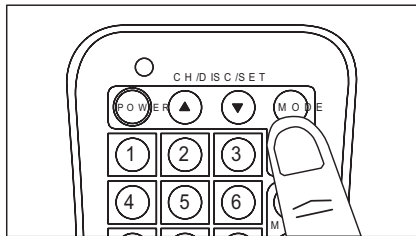
▽ KEY



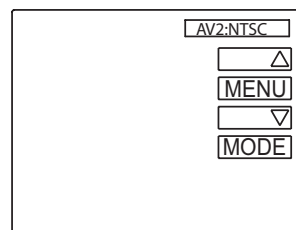
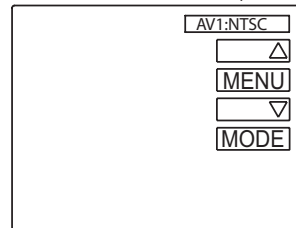
PRESS ▽ TO THE DESIRED SETTING



MODE KEY



PRESS MODE KEY TO SELECT VIDEO SOURCE INPUT 1 OR 2 (AV1 OR AV2)

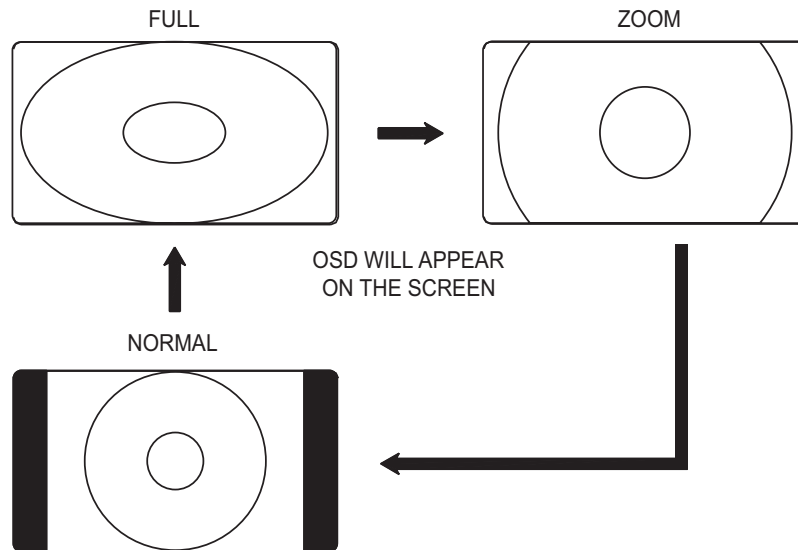


PRESS THE UP OR DOWN ARROW  
BUTTONS TO SELECT BETWEEN  
NTSC (US TV) AND PAL  
(OVERSEAS COUNTRIES TV) DISPLAY

# Display Mode

---

1. Press MENU to display the OSD.
2. Press the MENU button to select FORMAT.
3. Press the up or down buttons to switch the screen size from the options below.



**FULL** 6:9 picture is fully displayed on the screen.

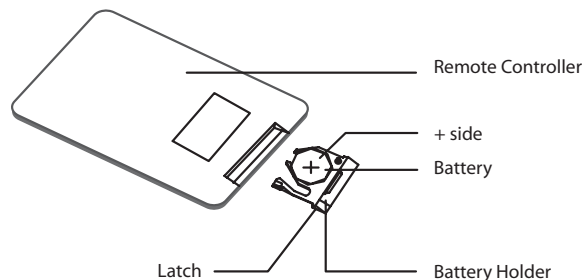
**ZOOM** The picture is stretched vertically and horizontally.

**NORMAL** When a 4:3 picture is displayed on the screen, the full picture is displayed vertically and horizontally (without horizontal stretching). Black bands will appear at both sides of the picture.

# Maintenance

---

**NOTE:** Before using remote after installation, remove the battery plastic protective slip.



1. Move the small latch to the right and slide out the battery holder.
2. Remove old battery and replace it with a new battery (CR2025) with the positive "+" sign facing as shown above.
3. Push battery holder back into its compartment until it is locked.

## PRECAUTIONS

1. Properly dispose of used battery.
2. Do not misuse battery by shorting the positive "+" and negative "-" terminal or put it into fire. Overheating may cause the battery to explode and cause a fire hazard.
3. If the remote is not to be used for a long period, remove the battery from the remote to prevent damage from battery leakage.
4. To avoid accidents, prevent children from playing with the battery.



**The company behind this system is Directed Electronics, Inc.**

Since its inception, Directed has had one purpose, to provide consumers with the finest vehicle security, car stereo products, rear seat entertainment, and accessories available. The recipient of more than 20 patents in the field of advanced electronic technology, Directed is ISO 9001 registered.

Quality Directed Electronics products are sold and serviced throughout North America and around the world.

Call **(800) 274-0200** for more information about our products and services.



DEI is an ISO 9001 registered company.

Directed® is committed to delivering world-class quality products  
and services that excite and delight our customers.



Directed Electronics, Inc.  
Vista, CA 92081  
[www.directed.com](http://www.directed.com)

© 2005 Directed Electronics, Inc.—All rights reserved  
N81580 02-05



## Free Manuals Download Website

<http://myh66.com>

<http://usermanuals.us>

<http://www.somanuals.com>

<http://www.4manuals.cc>

<http://www.manual-lib.com>

<http://www.404manual.com>

<http://www.luxmanual.com>

<http://aubethermostatmanual.com>

Golf course search by state

<http://golfingnear.com>

Email search by domain

<http://emailbydomain.com>

Auto manuals search

<http://auto.somanuals.com>

TV manuals search

<http://tv.somanuals.com>