

**Directed**<sup>®</sup>  
VIDEO

OWNER'S GUIDE  
INSTALLATION GUIDE



# ***Drawer-Type DVD Player***

MODEL DV1600

# Table of Contents

---

<b>Limited One-Year Warranty . . . . .</b>	<b>3</b>	<b>Remote Control Functions . . . . .</b>	<b>11</b>
<b>Safety Instructions . . . . .</b>	<b>4</b>	<b>Basic Operation . . . . .</b>	<b>12</b>
Region Management Information .....	4	Turning the Player On/Off .....	12
<b>Important Safeguards . . . . .</b>	<b>4</b>	Play Disc .....	12
When Driving .....	4	Stop Disc .....	12
When Car Washing .....	4	Remove Disc .....	12
When Parked.....	4	Volume Control .....	12
Use the Proper Power Supply.....	4	Pause/Resume Play .....	12
Protect the Disc Mechanism .....	5	Skip Tracks/Chapters .....	12
Repairs .....	5	Fast Forward/Fast Rewind .....	12
Placement .....	5	Repeat Play .....	12
When Not in Use .....	5	Timed Repeat Play.....	13
Avoid Water and Magnets .....	5	Audio Mode .....	13
Stacking.....	5	Mute Audio.....	13
Condensation .....	5	Zoom Play .....	13
<b>Important Information . . . . .</b>	<b>6</b>	On-Screen Display.....	13
FCC Notice.....	6	<b>Advanced Operation . . . . .</b>	<b>14</b>
Your Warranty .....	6	DVD Operation .....	14
<b>Features . . . . .</b>	<b>6</b>	CD/VCD Operation.....	15
Features .....	6	MP3 Operation .....	15
Accessories.....	6	<b>Setup Menu . . . . .</b>	<b>16</b>
<b>Disc Notes. . . . .</b>	<b>7</b>	Setup Menu Navigation .....	16
Disc Formats Supported by this Player.....	7	General Setup Page.....	17
Disc Formats Not Supported by this Player ...	7	Password Setup Page.....	17
Handling and Cleaning .....	7	Prefernces Page .....	18
<b>Front Panel Operation . . . . .</b>	<b>8</b>	Screen Format.....	19
Front Panel Features .....	8	<b>Installation . . . . .</b>	<b>20</b>
Front Panel Controls.....	8	Connecting to a Stereo TV .....	20
<b>Display Panel Operation . . . . .</b>	<b>9</b>	Remote Control .....	20
Display Panel Features.....	9	Mounting the Unit.....	20
<b>Remote Operation . . . . .</b>	<b>10</b>	Wiring Connections.....	21
Prior to Use.....	10	<b>Troubleshooting . . . . .</b>	<b>22</b>
		<b>Specifications . . . . .</b>	<b>23</b>

# Limited One-Year Warranty

---

For a period of ONE YEAR from the date of purchase, Directed Electronics, Inc. ("DIRECTED") promises to the original purchaser to repair or replace, free of cost, with a comparable reconditioned model any **DVD PLAYER** (hereafter the "UNIT"), which proves to be defective in workmanship or material defect under normal use, provided the following conditions are met: the unit was purchased and installed by an authorized DIRECTED dealer; the unit remains in the vehicle in which the unit was originally installed; and the unit is returned to DIRECTED. The unit in question must be returned to DIRECTED postage paid and must be accompanied by a clear, legible copy of the bill of sale bearing the following information:

- Date of Purchase
- Your Full name and address
- Authorized dealer's company name and address
- Type of unit installed
- Year, make, model, and color of the automobile
- Automobile license number
- Vehicle Identification number
- Installation receipts

All components other than the unit, including and without limitation the remote control, cables and installation accessories, carry a 60-day warranty from the date of purchase of the same.

This warranty is automatically void if the unit's date code or serial number is defaced, missing or altered; the unit has been modified or used in a manner contrary to its intended purpose; or the unit has been damaged by accident, unreasonable use, neglect, improper service, installation or other causes not arising out of defects in materials or construction. This warranty is nontransferable and does not apply to any unit that has been modified or used in a manner contrary to its intended purpose and does not cover batteries. This warranty **does not cover labor costs** for the removal, diagnosis, troubleshooting or reinstallation of the unit. For service on an out-of-warranty product a flat rate fee by model is charged. Contact

your authorized dealer to obtain the service charge for your unit.

**TO THE MAXIMUM EXTENT ALLOWED BY LAW, ALL WARRANTIES, INCLUDING BUT NOT LIMITED TO EXPRESS WARRANTY, IMPLIED WARRANTY, WARRANTY OF MERCHANTABILITY, FITNESS FOR PARTICULAR PURPOSE AND WARRANTY OF NON-INFRINGEMENT OF INTELLECTUAL PROPERTY, ARE EXPRESSLY EXCLUDED; AND DIRECTED NEITHER ASSUMES NOR AUTHORIZES ANY PERSON OR ENTITY TO ASSUME FOR IT ANY DUTY, OBLIGATION OR LIABILITY IN CONNECTION WITH ITS PRODUCTS. DIRECTED DISCLAIMS AND HAS ABSOLUTELY NO LIABILITY FOR ANY AND ALL ACTS OF THIRD PARTIES INCLUDING DEALERS OR INSTALLERS. IN THE EVENT OF A CLAIM OR A DISPUTE INVOLVING DIRECTED OR ITS SUBSIDIARY, THE PROPER VENUE SHALL BE SAN DIEGO COUNTY IN THE STATE OF CALIFORNIA. CALIFORNIA STATE LAWS AND APPLICABLE FEDERAL LAWS SHALL APPLY AND GOVERN THE DISPUTE. THE MAXIMUM RECOVERY UNDER ANY CLAIM AGAINST DIRECTED SHALL BE STRICTLY LIMITED TO THE AUTHORIZED DIRECTED DEALER'S PURCHASE PRICE OF THE UNIT. DIRECTED SHALL NOT BE RESPONSIBLE FOR ANY DAMAGES WHATSOEVER, INCLUDING BUT NOT LIMITED TO, ANY CONSEQUENTIAL DAMAGES, INCIDENTAL DAMAGES, DAMAGES FOR THE LOSS OF TIME, LOSS OF EARNINGS, COMMERCIAL LOSS, LOSS OF ECONOMIC OPPORTUNITY AND THE LIKE. NOTWITHSTANDING THE ABOVE, THE MANUFACTURER DOES OFFER A LIMITED WARRANTY TO REPLACE OR REPAIR THE CONTROL MODULE AS DESCRIBED ABOVE.** Some states do not allow limitations on how long an implied warranty will last or the exclusion or limitation of incidental or consequential damages. This warranty gives you specific legal rights and you may also have other rights that vary from State to State. DIRECTED does not and has not authorized any person or entity to create for it any other obligation, promise, duty or obligation in connection with these UNITS.

# ***Safety Instructions***

---

**CAUTION:** MOBILE DVD PLAYER IS A CLASS I LASER PRODUCT. HOWEVER THIS MOBILE DVD PLAYER USES A VISIBLE/INVISIBLE LASER BEAM THAT COULD CAUSE HAZARDOUS RADIATION IF EXPOSED DIRECTLY. BE SURE TO OPERATE THE MOBILE DVD PLAYER AS INSTRUCTED. USE OF CONTROLS, ADJUSTMENTS OR PERFORMANCE OF PROCEDURES OTHER THAN THOSE SPECIFIED HEREIN MAY RESULT IN HAZARDOUS RADIATION EXPOSURE. DO NOT OPEN COVERS AND DO NOT REPAIR YOURSELF. REFER SERVICING TO QUALIFIED PERSONNEL.

**WARNING:** TO REDUCE THE RISK OF FIRE OR ELECTRIC SHOCK, DO NOT EXPOSE THIS EQUIPMENT TO RAIN OR MOISTURE. TO REDUCE THE RISK OF FIRE OR ELECTRIC SHOCK AND ANNOYING INTERFERENCE, USE ONLY THE RECOMMENDED ACCESSORIES.

This product incorporates copyright protection technology that is protected by method claims of certain U.S. patents and other intellectual property rights owned by Macrovision Corporation and other rights owners. Use of this copyright protection technology must be authorized by Macrovision Corporation, and is intended for home and other limited viewing uses only unless otherwise authorized by Macrovision Corporation. Reverse engineering or disassembly is prohibited.

## **REGION MANAGEMENT INFORMATION**

This Mobile DVD Player is designed and manufactured to respond to the Region Management Information that is recorded on a DVD disc. If the Region number described on the DVD disc does not correspond to the Region number of this Mobile DVD Player, the disc will not play.

# ***Important Safeguards***

---

## **WHEN DRIVING**

Keep the volume level low enough to be aware of road and traffic conditions.

## **WHEN CAR WASHING**

Do not expose the product to water or excessive moisture. This could cause electrical shorts, fire, or other damage.

## **WHEN PARKED**

Parking in direct sunlight can produce very high temperatures inside your vehicle. Give the interior a chance to cool down before starting playback.

## **USE THE PROPER POWER SUPPLY**

This product is designed to operate with a (+) 12 volt DC, negative ground battery system.

## PROTECT THE DISC MECHANISM

Avoid inserting any foreign objects into the disc tray of this player. Failure to observe this may cause malfunction due to the precise mechanism of this unit.

## REPAIRS

Do not attempt to disassemble or adjust this precision product. Please consult your authorized Directed dealer for service assistance.

## PLACEMENT

Avoid placing the player in areas of:

- Direct sunlight or heater vents.
- Excessive dust.
- Vibration, impact, or high foot traffic.
- Surface tilt - the internal parts may be seriously damaged.

## WHEN NOT IN USE

When not in use, set the player to standby mode. When left unused for a long period of time, the player should be turned off.

## AVOID WATER AND MAGNETS

Keep the player away from cup holders. If liquids are spilled into the player, serious damage could occur.

Keep magnetic objects, such as speakers, at a distance from the player.

## STACKING

Place the player in a horizontal position, and do not place anything heavy on it. Do not place the player on amplifiers or other equipment which may become hot.

## CONDENSATION

Moisture may form on the lens in the following conditions:

- Immediately after a heater has been turned on.
- In a steamy or very humid vehicle.

*NOTE: If moisture forms inside this player, it may not operate properly. In this case, turn the power on and wait about one hour for the moisture to evaporate.*

# Important Information

---

## FCC NOTICE

This device complies with Part 15 of FCC rules. Operation is subject to the following two conditions: (1) This device may not cause harmful interference, and (2) this device must accept any interference received, including interference that may cause undesired operation.

Changes or modifications not expressly approved by the party responsible for compliance could void the user's authority to operate this device.

## YOUR WARRANTY

Your warranty registration must be completely filled out and returned within 10 days of purchase. Your product warranty will not be validated if your warranty registration is not returned. Make sure you receive the warranty registration from your dealer. It is also necessary to keep your proof of purchase, which reflects that the product was installed by an authorized dealer.

# Features

---

## FEATURES

- Compatible with DVD, Super-VCD, VCD, CD and MP3 discs.
- Compatible with PAL DVD (Video CD) and NTSC DVD (Video CD).
- L/R stereo analog audio outputs (RCA) for connection to existing head unit aux inputs or audio amplifiers.
- Audio/digital to analog converter.
- Accepts double-layered discs.
- 10 bit video D/A converter reproduces images faithfully.

## ACCESSORIES

- Remote Control
- Two AAA batteries
- Owner's Guide
- External remote sensor
- Mounting fittings
- DC 12V power source cord
- Audio cord
- Video cord
- Filter

*Note: This manual makes reference to optional Directed Video accessories not included with this product.*

# Disc Notes

## DISC FORMATS SUPPORTED BY THIS PLAYER



DVD

12 cm disc/8 cm disc  
(Single-sided disc only)



Video CD

12 cm disc/8 cm disc



Super-VCD

12 cm disc



CD/MP3

12 cm disc/8 cm disc

## DISC FORMATS NOT SUPPORTED BY THIS PLAYER

- DVD-ROM
- DVD-R/ DVD-RAM
- CD-RAM
- CDV
- CD-G
- Photo CD

## HANDLING AND CLEANING

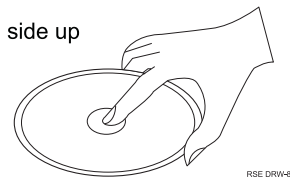
- Dirt, dust, scratches, and warping discs will cause misoperation.
- Do not place stickers or make scratches on discs.
- Do not warp discs.
- A disc should always be kept in its case when not in use to prevent damage.
- Do not place discs in the following places:
  1. Direct sunlight.
  2. Dirty, dusty, and damp areas.
  3. Near car heaters.
  4. On the seats or dashboard.

## DISC CLEANING

Use a dry soft cloth to wipe the surface. If the disc is quite dirty, use a soft cloth slightly moistened with isopropyl (rubbing) alcohol. Never use solvents such as benzine, thinner, or conventional record cleaners as they may mar the surface of the disc.

*NOTE: A disc may become somewhat scratched (although not enough to make it unusable) depending on how it is handled and conditions in the usage environment. These scratches are not an indication of any problem with the player.*

Label side up



Do not touch the underside of the disc



Do not bend



Wipe the disc from the center toward the outside edge

# Front Panel Operation

---

## FRONT PANEL FEATURES

1	Power Button	Turns the unit on and off.
2	Headphone Jack	Plug in the headphones here.
3	Display Panel	Displays playback information.
4	Disc Tray	Place the disc here.
5	Stop/Pause Button	Stops or pauses playback.
6	Play Button	Begins playback.
7	Open/Close Button	Opens and closes the disc tray.



## FRONT PANEL CONTROLS

- Power ON/OFF - Press **POWER** (1) to turn the unit on/off.
- Loading a Disc - Press **OPEN/CLOSE** (7) and set the disc (label side up) onto the disc tray (4). Push the disc tray gently and it will close; the unit will begin playback.
- Ejecting a Disc - Press **OPEN/CLOSE** button (7) and the disc tray will slide out. Then remove the disc and close the disc tray.
- Stop Playback - Press **STOP/PAUSE** button (5), and playback will cease.
- Resume Playback - Press **PLAY** (6), and playback will resume.



# Display Panel Operation

## DISPLAY PANEL FEATURES

1	DVD Indicator
2	CD Indicator
3	Title Indicator
4	Chapter/Track Indicator
5	Repeat Play Indicator
6	Lock Indicator
7	Angle Indicator
8	Dolby Digital Indicator
9	Second Indicator
10	Minute Indicator
11	Hour Indicator
12	Title/Chapter/Track Indicator
13	Pause Indicator
14	Play Indicator
15	PBC Indicator



RSE-DRW 101

# Remote Operation

## REMOTE CONTROL BATTERY

- Battery Installation
  - Press on the panel at the rear of the remote control and slide the battery cover open.
  - Insert the batteries while observing the correct (+) and (-) polarities.
  - Slide the battery cover into place on the back of the remote control.
- Service life of batteries - The batteries normally last for about six months, although this depends on how often the remote control is used.
- If the remote control until fails to work, even when it is operated near the player, replace the batteries.
- Use size AAA batteries.
- Do not drop, step on, or otherwise impact the remote control unit.
- Do not mix old and new batteries.
- If the remote control is not going to be used for a long time, remove the batteries.

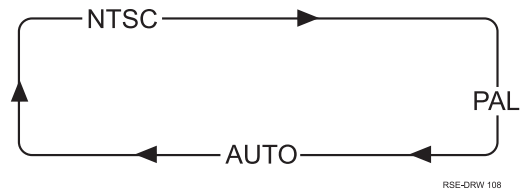
## REMOTE CONTROL OPERATION RANGE

This unit is supplied with an external remote sensor which allows you to access all features by remote control when the DVD unit is mounted in a location where the DVD is out of the line of sight.

The remote control should not be used from more than about 23 feet (7m) from the remote control sensor and within about 60 degrees of the front of the player. The operating distance may vary according to the brightness of the vehicle interior.

## PRIOR TO USE

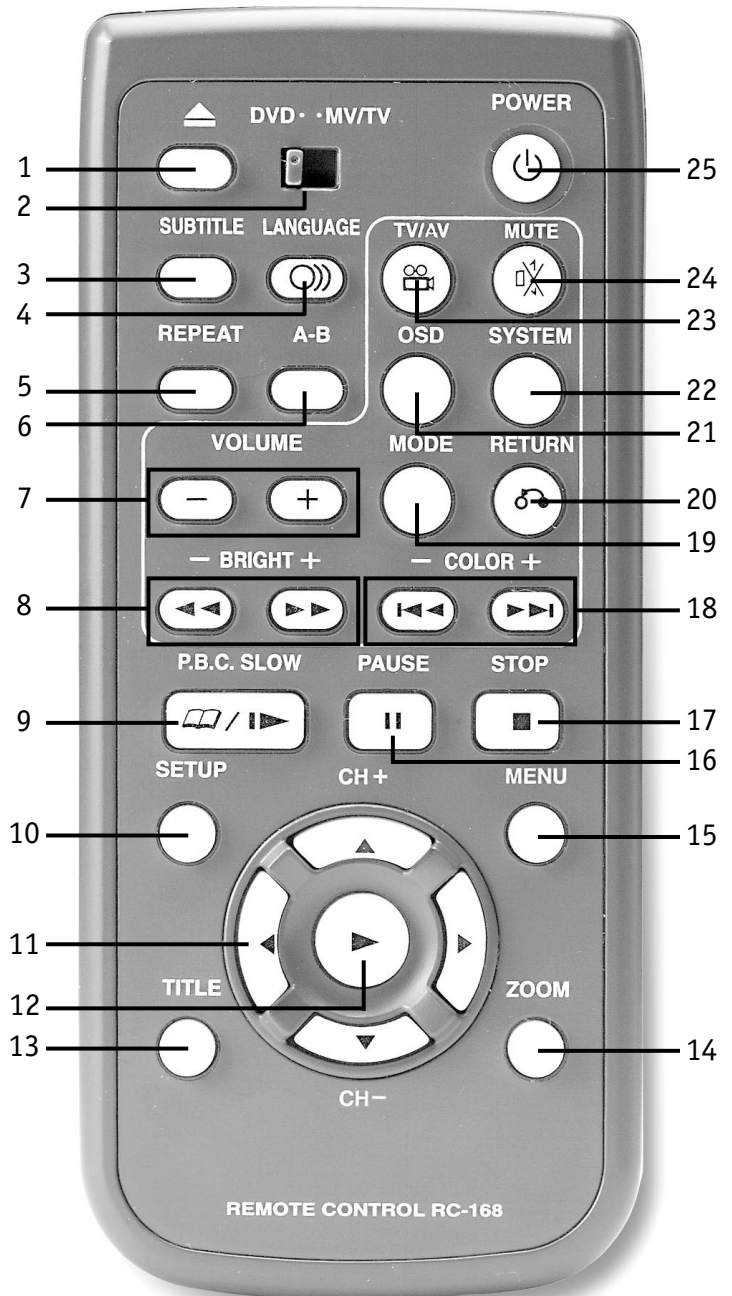
- The player output signal must be adjusted to match the monitor system type. Press the **SYSTEM** (22) button to change the system output signal type as shown.



- During playback, the TV volume may be at a lower level than other source units. If this is the case, adjust the volume to the desired level.
- Select the appropriate screen type from the setup menu according to your monitor.
- Connect the DVD player according to the instructions in the *Installation* section of this guide.
- If the DVD player is connected to the monitor through a VCR, the picture may not be played back normally. It is strongly recommended not connecting the DVD player through a VCR.
- The on-screen menu language of your player has been factory preset to English. If you would like to change the menu language, please refer to the *Setup Menu* section of this guide.
- Check the following before using the DVD player:
  - The monitor and audio equipment are properly connected to the player.
  - The power for the monitor and audio equipment is turned on.
  - The input setting for the monitor and audio equipment is properly selected.

# Remote Control Functions

BUTTON	FUNCTION
1	OPEN/CLOSE
2	DVD & MV/TV SELECT
3	SUBTITLE
4	LANGUAGE
5	REPEAT
6	A-B REPEAT
7	VOLUME
8	FR/FF SEARCH
9	PBC/SLOW
10	SETUP
11	DIRECTION BUTTONS
12	PLAY/ENTER
13	TITLE
14	ZOOM
15	MENU
16	PAUSE/STEP
17	STOP
18	PREVIOUS/NEXT
19	AUDIO MODE
20	RETURN
21	OSD
22	SYSTEM
23	ANGLE
24	MUTE
25	POWER



# Basic Operation

---

Operations in this section are common for all discs types (DVD, CD, Video CD, and Super-VCD).

## TURNING THE PLAYER ON/OFF

Press **POWER** (25) on the remote control to turn the player on, off, or to standby mode.

## PLAY DISC

1. Press **POWER** (25) to turn on the player.
2. Press **OPEN/CLOSE** (1) to open the disc tray.
3. Holding the disc by its edge, place it on the disc tray with the label side up.
4. Press **PLAY** (12), **OPEN/CLOSE** (1), or push the disc tray in to close; the disc will begin playing automatically.
5. If the disc doesn't begin playback automatically, press **PLAY** (12).

## STOP DISC

Press **STOP** (17) once to stop play. Press **PLAY** (12) to resume playback.

## REMOVE DISC

Press **OPEN/CLOSE** (1) to open the disc tray for removal of the disc.

## VOLUME CONTROL

The audio output volume can be controlled using the volume buttons. Press either **VOLUME** (7) button (+ or -), and a volume bar graphic will appear in the OSD indicating the volume level. Press repeatedly or hold the volume button to raise or lower the volume.

## PAUSE/RESUME PLAY

Press **PAUSE** (16) to pause play. Press **PLAY** (12) to resume play.

## SKIP TRACKS/CHAPTERS

Moving forward or back a chapter/track at a time can be done by using the **PREVIOUS/NEXT** (18) buttons.

1. Press **NEXT** to advance to the next chapter/track on the disc.
2. Press **PREV** to return to the previous chapter/track on the disc.

## FAST FORWARD/FAST REWIND

Fast forward play or fast rewind play through chapters/tracks can be done using the **FR/FF SEARCH** (8) buttons during playback.

1. Press the right **FR/FF** button repeatedly to fast forward play at 2x, 4x, 6x, and 8x normal speed.
2. Press the left **FR/FF** button repeatedly to fast rewind play at 2x, 4x, 6x, and 8x normal speed.
3. Press **PLAY** (12) to resume playback at normal speed.

*NOTE: Each time the button is pressed the rate of play will appear in the OSD.*

## REPEAT PLAY

Chapters and tracks can be repeated during playback. Press **REPEAT** (5) during playback to toggle through the following repeat functions.

- REPEAT CHAPTER - Repeats the DVD chapter or the audio CD track.
- REPEAT TITLE - Repeats the DVD title or the Audio CD title.
- REPEAT ONE - Repeats the current track.
- REPEAT ALL - Repeats the tracks on the disc.
- REPEAT OFF - Repeat function discontinued

## TIMED REPEAT PLAY

Sections of chapters/tracks can be chosen and repeated with the A-B (6) button.

1. Press **A-B** (6) during playback, and A will be displayed on the monitor. This will set the starting point of timed repeat.
2. Press **A-B** (6) again, and B will be displayed on the monitor. This will set the ending point of timed repeat. The player will then repeat the disc information between points A and B.
3. Press **A-B** (6) again to turn timed repeat off.

*NOTE: Some disc recording software may not allow the timed repeat operation on certain discs.*

## AUDIO MODE

Audio playback on CD/VCD can be changed from mono to stereo using the AUDIO MODE (19) button.

1. Press **AUDIO MODE** (19); the OSD will display the current audio setting.

2. Press **AUDIO MODE** (19) repeatedly to toggle through all available selections. They will appear in the OSD.

- LEFT - Audio output will be left channel only.
- RIGHT - Audio output will be right channel only.
- STEREO - Audio output will be in stereophonic mode.

## MUTE AUDIO

Audio can be muted at any time during playback.

1. Press **MUTE** (24) to mute the audio portion of the disc during playback.
2. Press again to resume audio playback.

## ZOOM PLAY

Press **ZOOM** (14) during playback to enlarge the picture to twice its size. Press **ZOOM** (14) again to enlarge the picture to four times its size. Then use the **DIRECTION BUTTONS** (11) to move the picture. To return the picture to normal size, press **ZOOM** (14) repeatedly until ZOOM OFF appears in the OSD.

## ON-SCREEN DISPLAY

Press **OSD** (21) at anytime to display information about the current disc in the player. Press again to clear the OSD from the screen.

# Advanced Operation

---

## DVD OPERATION

### TITLE MENU

The title menu has selections for disc playback setup that usually include audio, language, subtitles, playback and special features. The available selections are determined by the recorded material on the disc.

1. Press **TITLE** (13) on the remote and the title menu will be displayed.
2. Press the **DIRECTION BUTTONS** (11) to highlight a title.
3. Press **PLAY** (12) to begin title playback

### ROOT MENU

The root menu has selections for program playback including chapters and special features.

1. Press **MENU** (15) anytime to display the root menu.
2. Use the **DIRECTION BUTTONS** (11) to highlight a menu item.
3. Press **PLAY** (12) to begin playback.

### SLOW MOTION PLAYBACK

A disc may be viewed in slow motion using the **SLOW** (9) button.

1. Press **SLOW** (9); playback will continue at the rate of speed indicated on the display.
2. Press **SLOW** (9) repeatedly to toggle through the available slow motion playback speeds.
3. Press **PLAY** (12) to return to normal playback speed.

*NOTE: The rate of slow motion playback will be displayed in the On-Screen Display (OSD).*

### FRAME ADVANCE

The picture can be advanced one frame at a time with the **PAUSE/STEP** (16) button.

1. During playback press **PAUSE/STEP** (16) to pause playback.
2. Press **PAUSE/STEP** (16) repeatedly at this time to advance the image one frame at a time.
3. Press **PLAY** (12) to return to normal playback.

### SUBTITLES OPERATION

During playback, subtitles can be turned on and off, and the subtitle language can be changed on discs with multiple subtitle language capabilities.

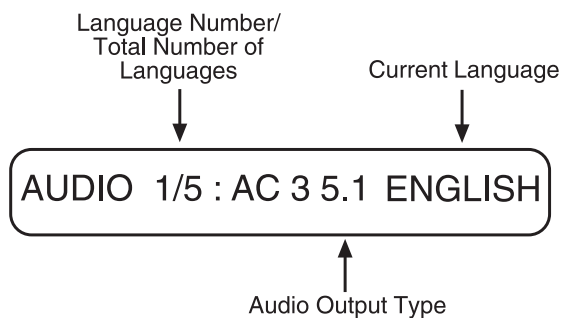
1. Press **SUBTITLE** (3) during playback; the subtitles indicator will be displayed.
2. Press **SUBTITLE** (3) repeatedly to toggle through all language selections available on the disc.
3. Press **OSD** (21) to clear the screen.

*NOTE: If the subtitles are not displayed immediately, follow steps one and two until it is displayed*

*If a disc that supports closed caption is being played, the subtitles may overlap the closed caption on the monitor. Turn the subtitles off to avoid this.*

## LANGUAGE CONTROL

Many discs have several languages available during disc playback. They can be changed at any time by pressing **LANGUAGE** (4). Each time the button is pressed, the language will change and the information about the current language will appear in the OSD.



RSE-DRW 104

## VIEWING ANGLE

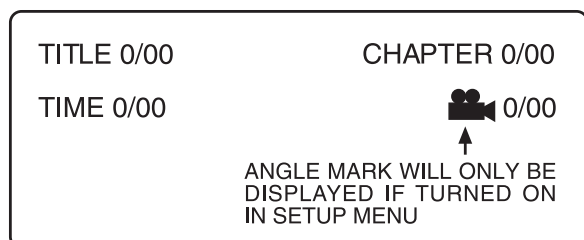
Many DVDs have scenes that are recorded from multiple angles. These scenes can be viewed from other angles by using the **ANGLE** (23) button.

1. Press **ANGLE** (23), the angle the scene is viewed from will change and the angle mark will appear in the on-screen display.
2. Press **ANGLE** (23) repeatedly to change to different viewing angles.
3. Press **OSD** (21) to clear the screen.

## ON-SCREEN DISPLAY (OSD)

Information about the current disc being played can be displayed on screen.

1. Press **OSD** (21) to turn the OSD on and off.



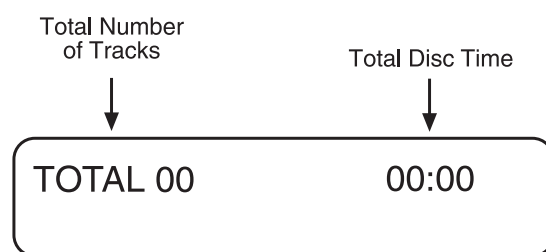
RSE-DRW 111

## CD/VCD OPERATION

### BASIC CD/VCD OPERATION

Stop Disc, OSD, Mute, Fast Forward/Fast Rewind, Pause/Resume Play, Volume, Skip Tracks, Audio Mode, and Repeat Play operate as described in the *Basic Operation* section of this guide.

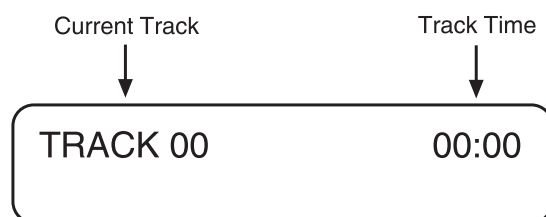
Load an Audio CD; the disc information will be displayed on-screen.



RSE-DRW 109

### DISC PLAYBACK

Press **PLAY** (12) to begin playback; the screen will show the track information.



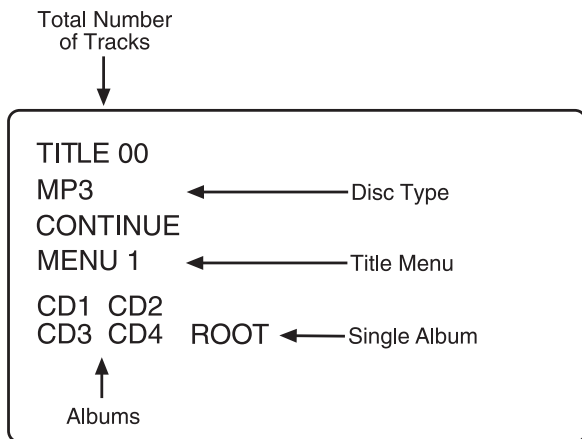
RSE-DRW 110

## MP3 OPERATION

### BASIC MP3 OPERATION

Stop Disc, OSD, Mute, Pause/Resume Play, Volume, Skip Tracks, Audio Mode, and Repeat Play operate as described in the *Basic Operation* section of this guide.

Load a disc with MP3 files into the player. The disc information will appear on screen.

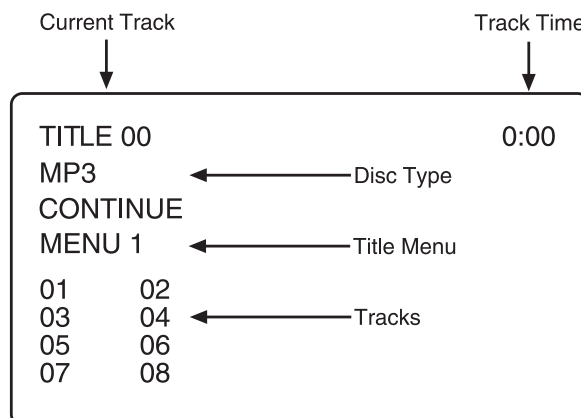


If the menu appears on more than one page the << >> icons will be displayed. Use the **PREVIOUS/NEXT** (18) buttons to move to the additional menu pages.

Use the **PREVIOUS/NEXT** (18) buttons to highlight an ALBUM or ROOT then press **PLAY** (12). If an ALBUM is selected, the album sub-menu will be displayed. If ROOT is selected, the track titles will be displayed since there are no albums titled.

Use the **PREVIOUS/NEXT** (18) buttons to select the desired track and press **PLAY** (12) to begin playback. During playback information will be displayed on screen. Press **RETURN** (20) at any time to return to the home menu.

*NOTE: If the track menu appears on more than one page, << >> still appears next to the menu. Use the PREVIOUS/NEXT (18) buttons to move to the additional menu pages.*



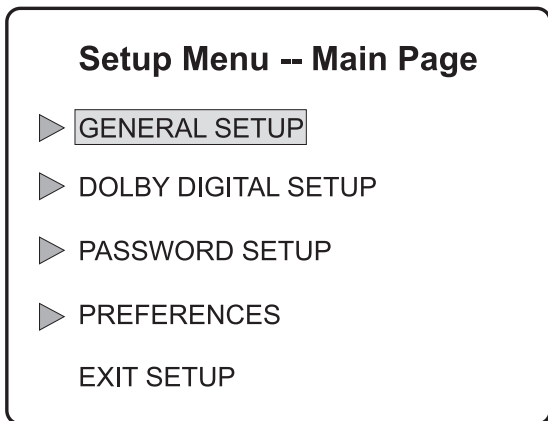
## Setup Menu

The setup menu contains settings for disc playback and should be used to adjust the DVD player according to the disc being played, personal preferences, and the type of equipment the DVD player is connected to.

### SETUP MENU NAVIGATION

1. Press **SETUP** (10) to enter or exit the Setup Menu Main Page.
2. Use the **DIRECTION BUTTONS** (11) to highlight a selection from the Setup Menu Main Page.
3. Press the **PLAY** (12) button to enter the selections menu page.
4. Use the **DIRECTION BUTTONS** (11) to highlight a selection in this menu page. As each selection is highlighted, a submenu of possible settings will be displayed to the right. Use the right **DIRECTION BUTTON** (11) to enter the sub-menu.
5. Use the **DIRECTION BUTTONS** (11) to highlight a setting in the submenu, and then press the **PLAY** (12) button to confirm the setting.
6. Use the left **DIRECTION BUTTON** (11) to exit the submenu and return to the previous menu.
7. To exit the Setup Menu at any time press the **SETUP** (10) button.

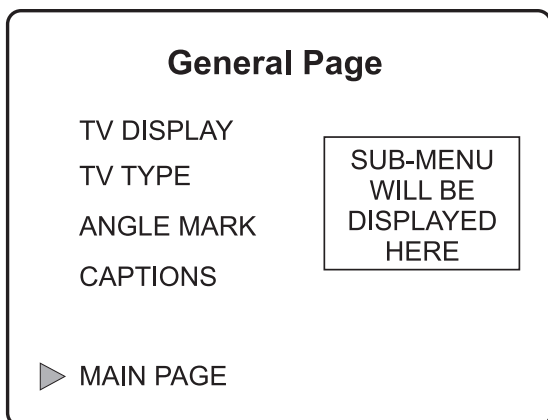




RSE-DRW 102

## GENERAL SETUP PAGE

When the General Setup page has been entered the on-screen display will appear as shown.



RSE-DRW 105

### TV DISPLAY

The TV Display submenu sets the screen shape output to match the type of monitor connected. For information about monitor types refer to the *Screen Format* section of this guide.

### TV TYPE

The TV Type submenu sets the video output to the type of monitor connected. For information about monitor types refer to the *Screen Format* section of this guide.

### ANGLE MARK

The Angle Mark submenu will turn the angle mark indicator in the OSD on and off during disc playback.

### CAPTIONS

The Captions submenu will turn the captions on and off during disc playback.

### SCREEN SAVER

The Screen Saver submenu will turn the screen saver on and off.

### DOLBY DIGITAL SETUP

The Dolby Digital Setup page is for setup of Dolby Digital signal Processing.

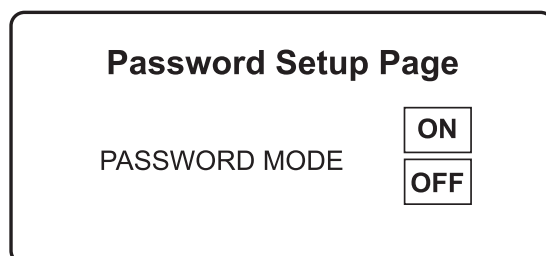
*NOTE: This unit only supports two-channel stereo operations, therefore all settings in this menu should remain in their default setting.*

## PASSWORD SETUP PAGE

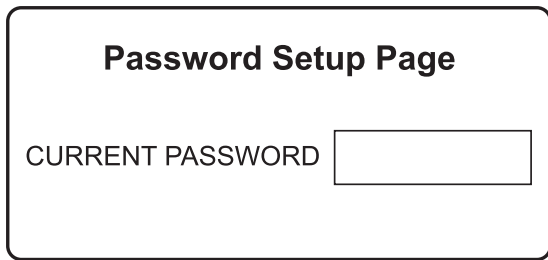
The Password Setup Page menu allows adult control so unauthorized individuals can not change any of the settings in the Preferences Page. The Preferences Menu Page cannot be entered unless the password mode has been turned off.

### PASSWORD MODE ON/OFF

Enter the Password Setup Page. Then select the desired Password mode, and press **PLAY** (12) to confirm the selection.



RSE-DRW 106



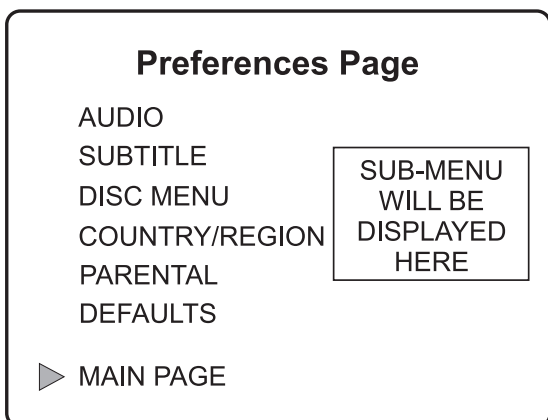
RSE-DRW 107

Enter the Password by pressing **NEXT** (18) five times. Press **PLAY** (12) to enter the password; the Password Setup Page will appear. Then press the left **DIRECTION BUTTON** (11) to highlight the password mode. The password mode is now set.

## PREFERENCES PAGE

Enter the Preferences Page.

*NOTE: Password mode must be turned OFF and the disc must be in stop mode to enter the Preferences Page.*



RSE-DRW 103

## AUDIO

The Audio submenu is used to select the audio language. This feature is usually adjusted in the disc title menu.

## SUBTITLES

The Subtitles submenu is used to turn subtitles on and off, and to select the subtitle language. This feature is usually adjusted in the disc title menu.

## DISC MENU

The Disc Menu submenu is used to set the on-screen disc menu language. This feature is usually adjusted in the disc title menu.

## COUNTRY/REGION

The Country/Region submenu is used to set the player for the country or region, and should match the region rating of the disc being played.

## PARENTAL

The Parental submenu is used to set the rating level for discs that are allowed to be played.

## DEFAULTS

The Defaults submenu will set all player setting to factory default.

## SCREEN FORMAT

### TV SYSTEM

NTSC is the default setting and is the standard system for video monitors in North America.

PAL, PAL 60, and PAL M are settings for monitors outside the North American continent. Consult your authorized dealer for the proper setting.

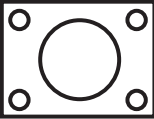
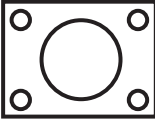
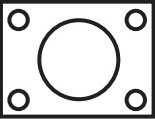
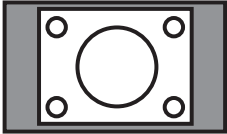
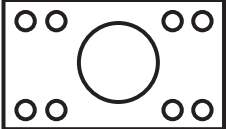
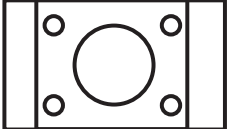
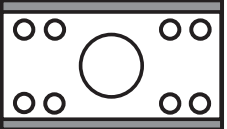
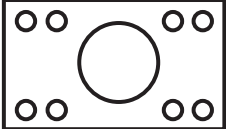
Auto will automatically adjust the player output to match the monitor type.

If the picture has no color, abnormal color or the video doesn't play properly, check the monitor and player settings to make sure they are the same.

### TV SHAPE

DVDs and VCDs have several screen formats that are usually indicated on the package. First determine the screen format for the disc you are playing and adjust the player accordingly.

The graphic below gives a depiction of how different disc formats will look on a monitor.

Picture Format on Disc	TV Screen Size		
	4:3		16:9
	Pan Scan	Letter-Box	
4:3 			
16:9 			

# Installation

---

## CONNECTING TO A STEREO TV

### BASIC CONNECTION

- Do not block ventilation holes of the DVD player and arrange it so air can circulate freely.
- Read these instructions thoroughly before connecting audio and video cables.
- Ensure that you observe the color coding when connecting audio and video cables.

### REMOTE CONTROL

To install the external remote sensor, simply plug it into the REMOTE IN socket located at the rear of the DVD and route the sensor cable to the front of the vehicle, mount the sensor in a convenient location so that the remote control is in the line of sight of the external remote sensor.

- Before installing the unit, connect the wiring temporarily and test the system for proper operation.
- Use only the parts included with the unit to ensure proper installation. The use of unauthorized parts can cause malfunctions. Consult with your nearest dealer if installation requires the drilling of holes or other modifications of the vehicle.
- Install the unit where it does not get in the driver's way and cannot injure the passenger if there is a sudden or emergency stop. For optimum performance, this unit should **NOT** be mounted at an angle of more than 5 degrees from horizontal.

- Avoid installing the unit where it would be subject to high temperature, such as direct sunlight, hot air from the heater, or where it would be subject to dust, dirt, or excessive vibration.

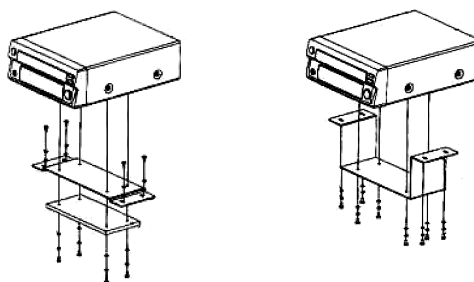
*NOTE: Do not mount the unit where it will be stepped on or where items will be placed on top of or spilled into the unit.*

## MOUNTING THE UNIT

This unit can be mounted either under a cabinet or under a seat by using the brackets supplied in the kit. Attach the mounting brackets as shown in the drawing below according to the final mounting position of the player.

If mounting the player under a seat, attach the brackets using the bottom holes. This will allow the player sufficient ventilation for proper operation and avoid moisture collection that may cause moisture collection.

Always mount the player to a solid location to avoid possible vibration and shock.

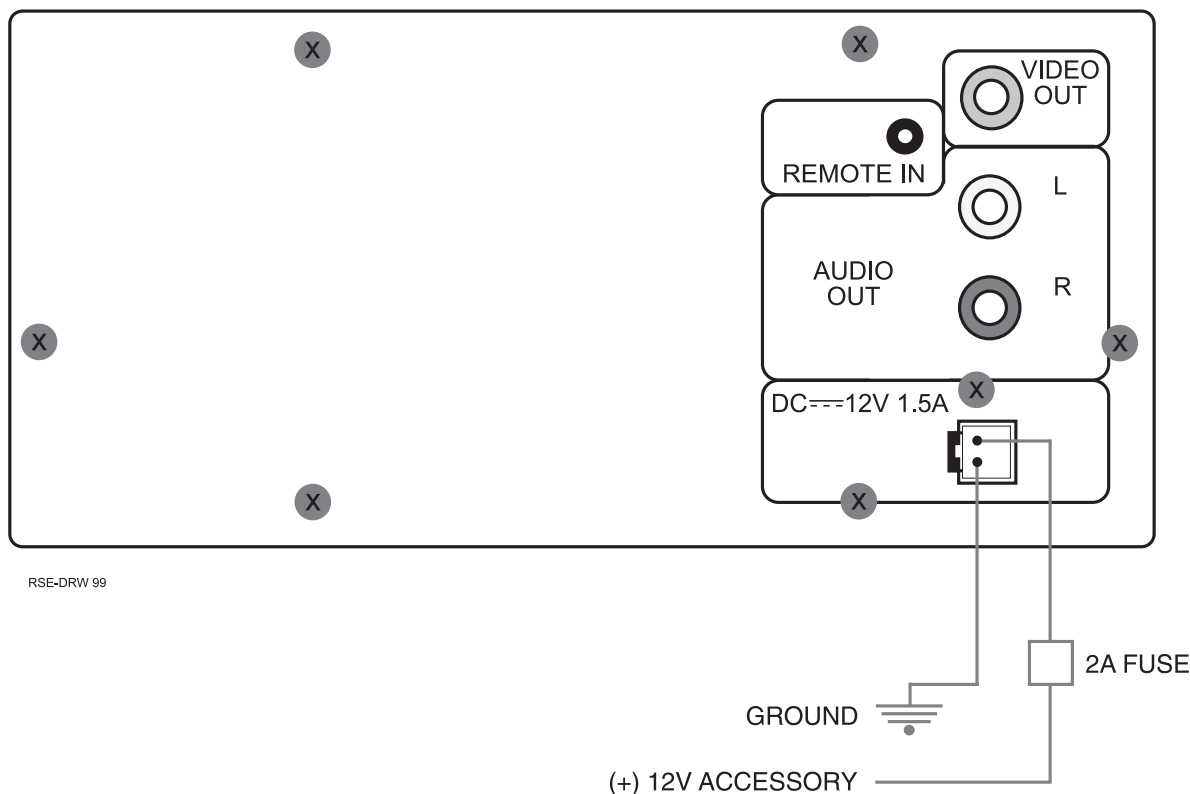


## WIRING CONNECTIONS

1. **POWER CONNECTOR** - The fused power wire must be connected to a wire that has (+) 12 volts when the key is in the accessory position. The ground wire must be connected to a metal chassis point, preferably scraped sheet metal.
2. **EXTERNAL REMOTE CONTROL CONNECTOR** -

Insert the 1/8" pin plug for the External Remote Sensor eye into this socket.

3. **VIDEO SIGNAL** - Connector the YELLOW Composite Video RCA cable to this jack.
4. **AUDIO SIGNAL** - Connect the system L/R stereo Audio RCA cables to these jacks.



RSE-DRAW 99

# Troubleshooting

---

<b>PROBLEM</b>	<b>SOLUTION</b>
NO SOUND	<ol style="list-style-type: none"><li>1. Check all audio cable connectors in the system for loose or improper connections.</li><li>2. Test system components for proper power and operation.</li><li>3. Make sure that none of the components is in MUTE mode.</li></ol>
NO PICTURE	<ol style="list-style-type: none"><li>1. Check all video cable connectors in the system for loose or improper connections.</li><li>2. Test system components for proper power and operation.</li><li>3. Make sure the monitor is turned on and set to the proper channel or input zone.</li></ol>
NO REMOTE FUNCTION	<ol style="list-style-type: none"><li>1. Remove any objects that may be blocking the IR eye.</li><li>2. Make sure the remote IR eye is fully plugged into the connector on the rear panel.</li><li>3. Test and replace any depleted remote control batteries.</li></ol>
PARTIAL OR NO DISPLAY	<ol style="list-style-type: none"><li>1. Inspect the disc for damage or dirt.</li><li>2. Check the monitor power and video cables for loose connections.</li><li>3. Check the system setting to make sure all components are set for the same system type.</li></ol>
DISC TRAY WON'T OPEN	<ol style="list-style-type: none"><li>1. Wait 10 seconds before pressing the eject button again.</li><li>2. If the tray won't open with the eject button on the front panel use the eject button on the remote control.</li></ol>

# Specifications

---

Laser:	Wavelength 650nm
Video System:	NTSC/PAL/AUTO
Frequency Response:	30Hz ~ 20KHz + 2dB
Signal/Noise Ratio:	>85dB
Audio Distortion/Noise:	<-70dB (1KHz)
Channel Separation	>85dB (1KHz)
Dynamic Range	>80dB (1KHz)
Output - Audio Out (Analog)	Output Level: $2^{+0-1V}$ Load Impedance: 10K
Output - Video Out	Output Level: $1^{+0-1V}$ Load Impedance: 10K
Output - Headphone Out	Jack Type: 3.5mm Headphone Jack
Power Supply	DC12V, 1.5A
Environment Temperature	5~35 C
Power Consumption	<20W
Dimensions	170 x 215 x 73mm
Weight	Approximately 1.4Kgs

*NOTE: Specifications and design are subject to modification, without notice, due to improvements in technology.*

## The company behind this system is Directed Electronics, Inc.

Since its inception, DEI® has had one purpose, to provide consumers with the finest vehicle security, car stereo products, rear seat entertainment, and accessories available. The recipient of more than 20 patents in the field of advanced electronic technology, DEI is ISO 9001 registered.

Quality Directed Electronics products are sold and serviced throughout North America and around the world.

Call **(800) 274-0200** for more information about our products and services.



DEI is an ISO 9001 registered company.

Directed® is committed to delivering world-class quality products and services that excite and delight our customers.

*driven to excel*  
**Directed**<sup>®</sup>  
ELECTRONICS, INC.

Directed Electronics, Inc.

Vista, CA 92083

[www.directed.com](http://www.directed.com)

© 2002 Directed Electronics, Inc. - All rights reserved  
N83101 03-02



## Free Manuals Download Website

<http://myh66.com>

<http://usermanuals.us>

<http://www.somanuals.com>

<http://www.4manuals.cc>

<http://www.manual-lib.com>

<http://www.404manual.com>

<http://www.luxmanual.com>

<http://aubethermostatmanual.com>

Golf course search by state

<http://golfingnear.com>

Email search by domain

<http://emailbydomain.com>

Auto manuals search

<http://auto.somanuals.com>

TV manuals search

<http://tv.somanuals.com>