

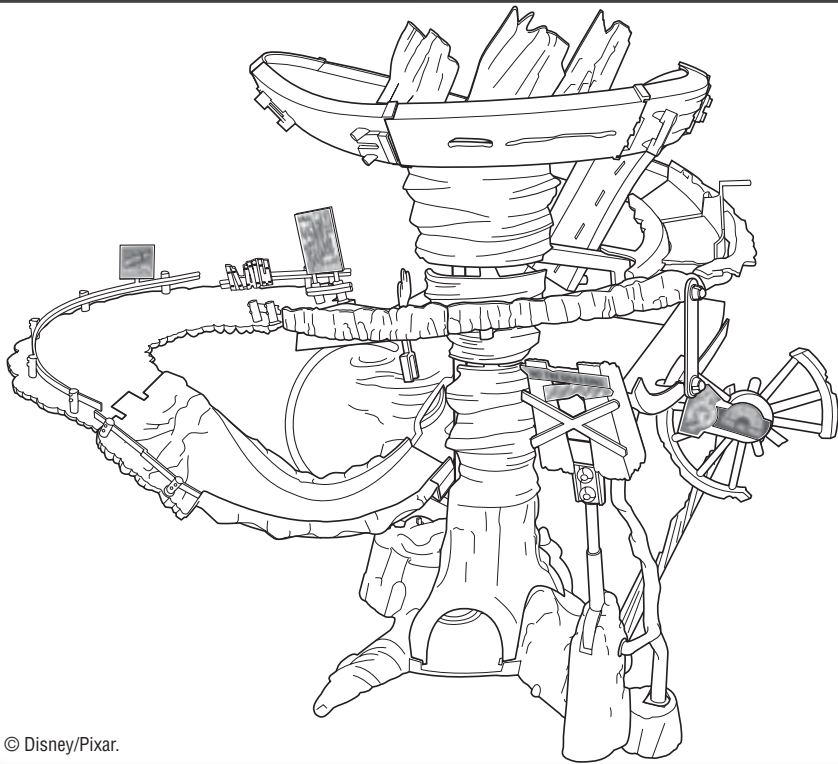
Battery Safety Information

In exceptional circumstances batteries may leak fluids that can cause a chemical burn injury or ruin your product. To avoid battery leakage:

- Non-rechargeable batteries are not to be recharged.
- Rechargeable batteries are to be removed from the product before being charged (if designed to be removable).
- Rechargeable batteries are only to be charged under adult supervision (if designed to be removable).
- Do not mix alkaline, standard (carbon-zinc), or rechargeable (nickel-cadmium) batteries.
- Do not mix old and new batteries.
- Only batteries of the same or equivalent type as recommended are to be used.
- Batteries are to be inserted with the correct polarity.
- Exhausted batteries are to be removed from the product.
- The supply terminals are not to be short-circuited.
- Dispose of battery(ies) safely.
- Do not dispose of this product in a fire. The batteries inside may explode or leak.



Protect the environment by not disposing of this product with household waste (2002/96/EC). Check your local authority for recycling advice and facilities.



© Disney/Pixar.

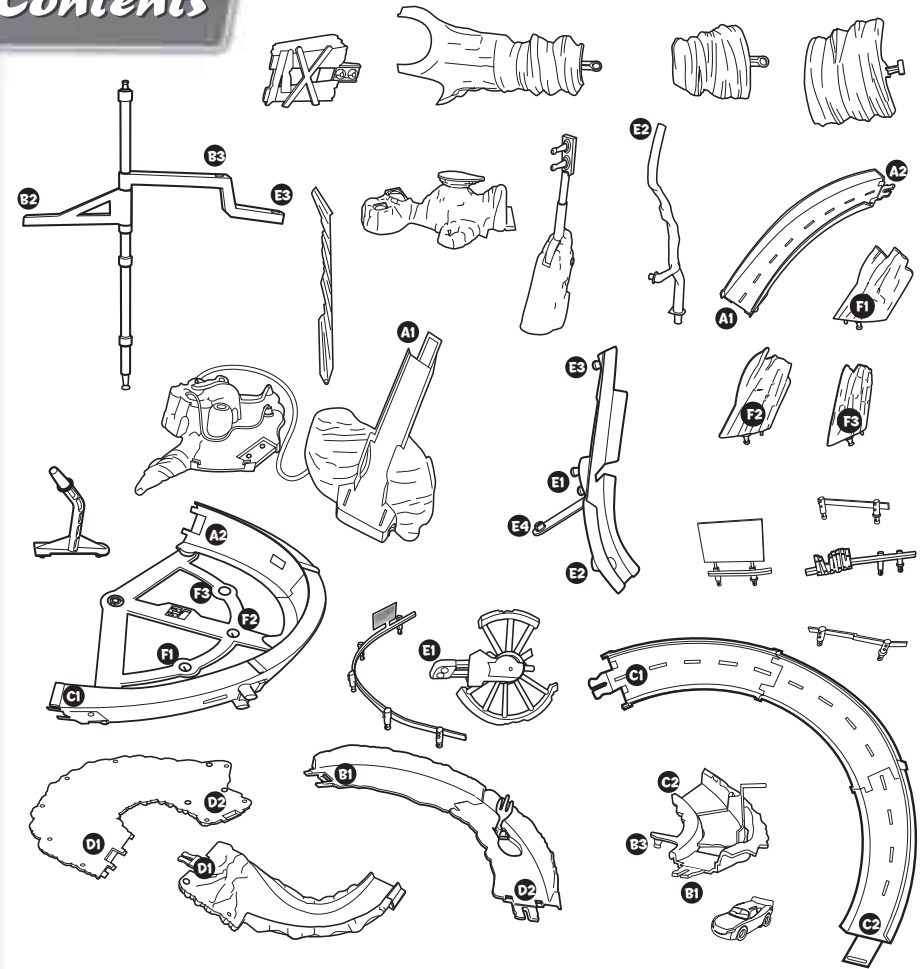
Mattel, Inc. 333 Continental Blvd., El Segundo, CA 90245 U.S.A. All Rights Reserved. Consumer Relations 1 (800) 524-8697. • Mattel Canada Inc., Mississauga, Ontario L5R 3W2. You may call us free at 1-800-524-8697. • Mattel U.K. Ltd., Vanwall Business Park, Maidenhead SL6 4UB. Helpline 01628500303 • Mattel Australia Pty Ltd., Richmond, Victoria. 3121. Consumer Advisory Service - 1300 135 312. • Mattel East Asia Ltd., Room 1106, South Tower, World Finance Centre, Harbour City, Tsimshatsui, HK, China. • Diimport & Diedarkan Oleh: Mattel SEA Ptd Ltd. (993532-P) Lot 13.5, Menara Lien Hoe, Persiaran Tropicana Golf Country Resort, 47410 PJ. Tel:03-78803817, Fax:03-78803867.



Instructions

Please keep these instructions for future reference as they contain important information.

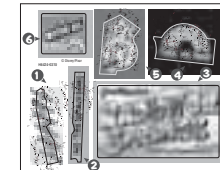
Contents



x 2

NOT Included

Requires 2 "D" (LR20) alkaline batteries (not included).



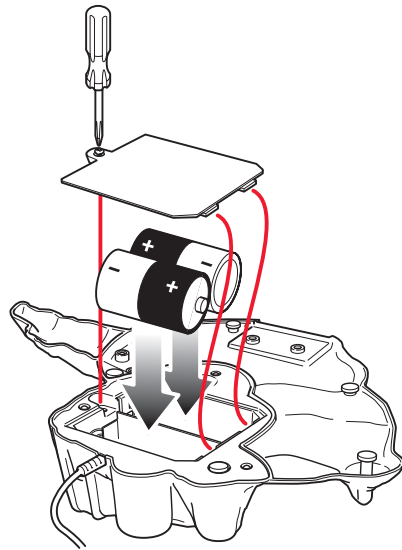
L9833-0920

5+



Battery Installation

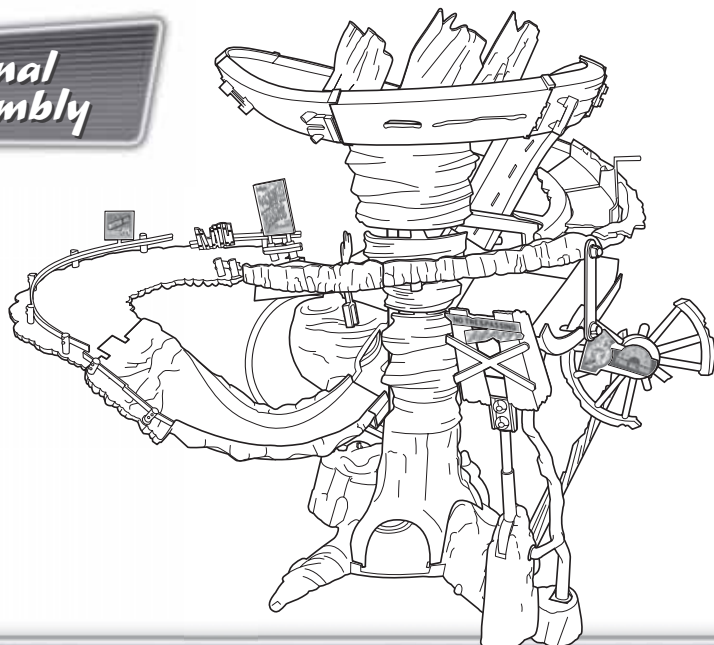
Open battery cover with a Phillips head screwdriver (not included). Insert 2 "D" size alkaline batteries (not included) in the orientation shown. Replace cover and tighten screw. For best performance, use alkaline batteries. When booster is unable to propel vehicles through the set, replace the batteries.



Refer to numbers on parts and contents page to help with assembly.

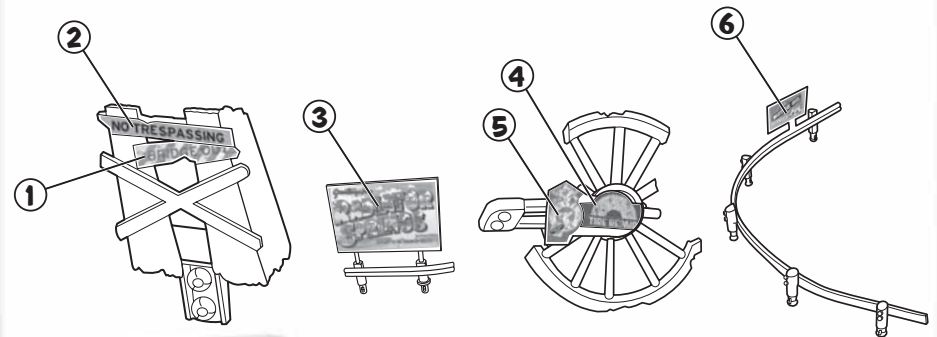
SAFETY NOTE: Do not launch cars until toy is completely assembled.

Final Assembly



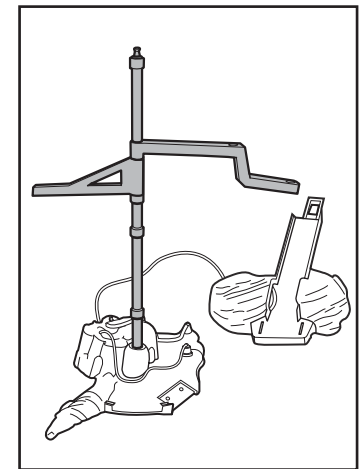
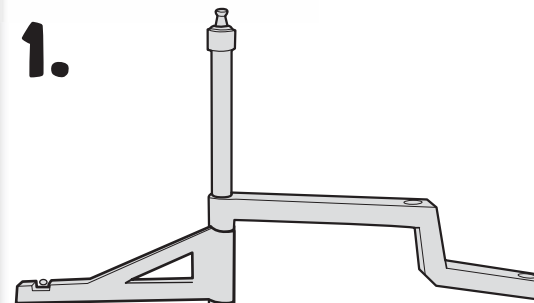
APPLY LABELS BY NUMBER AS INDICATED.

HELPFUL HINT: APPLY LABELS BEFORE ASSEMBLY.

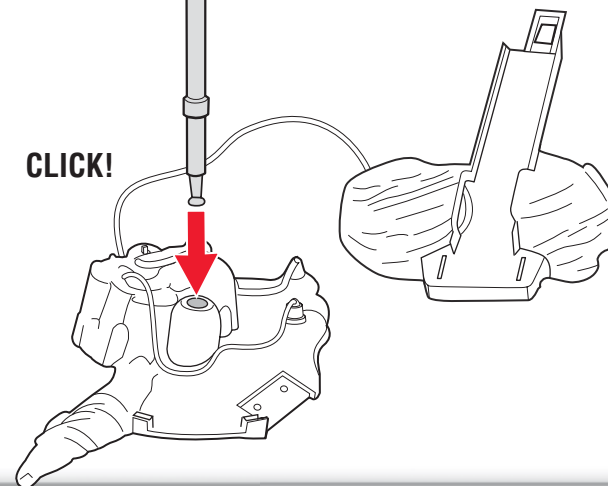


Assembly

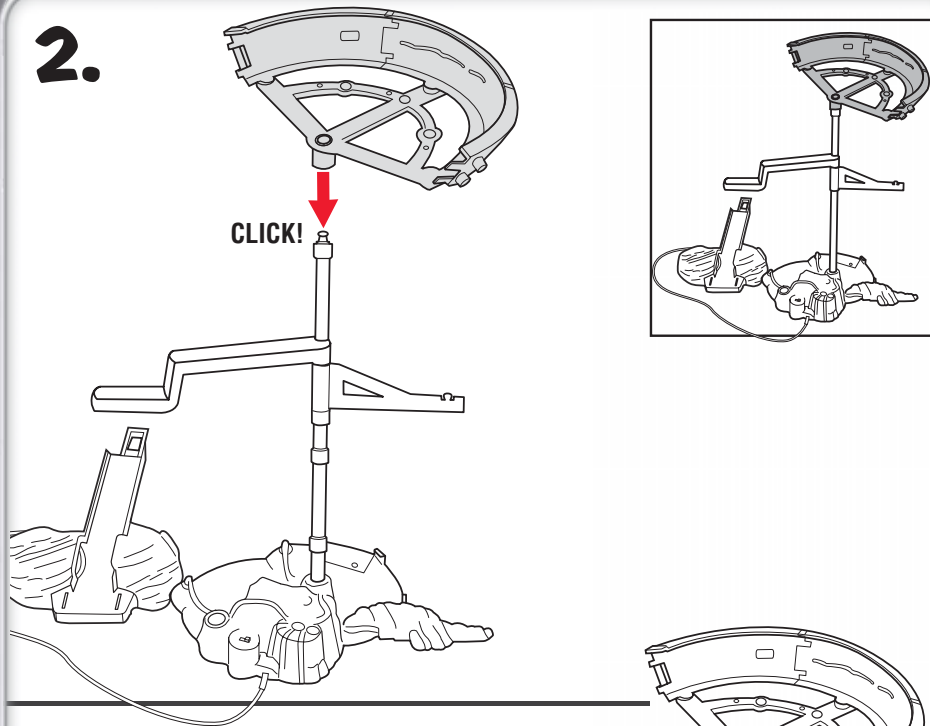
1.



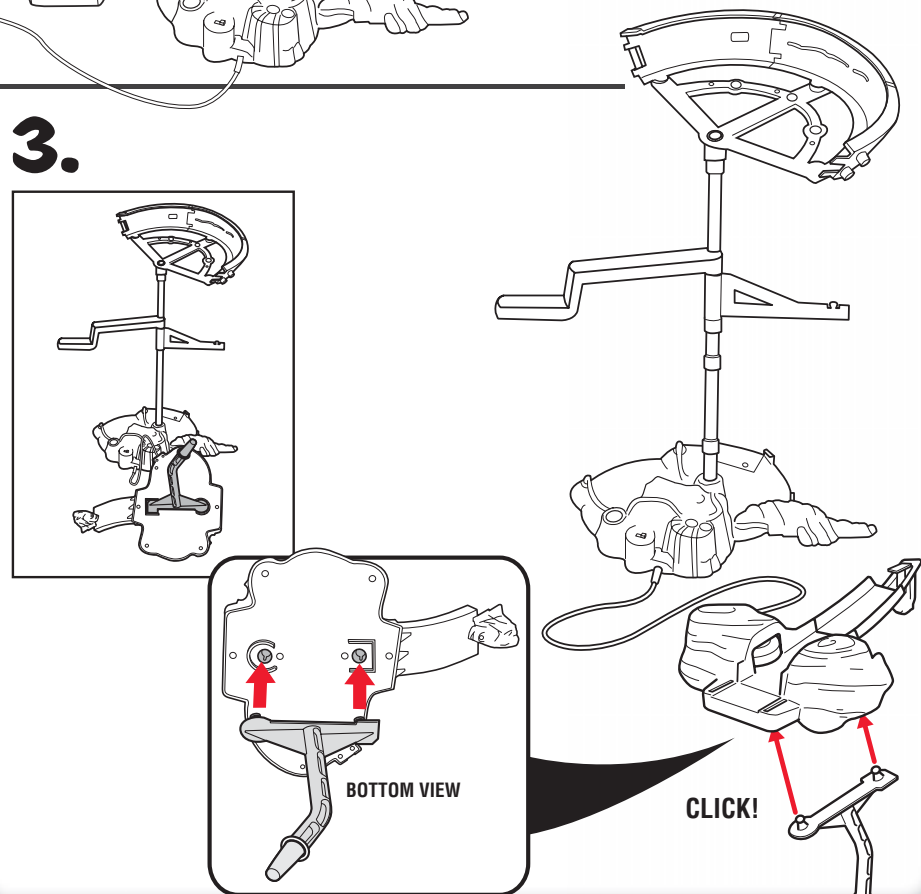
CLICK!



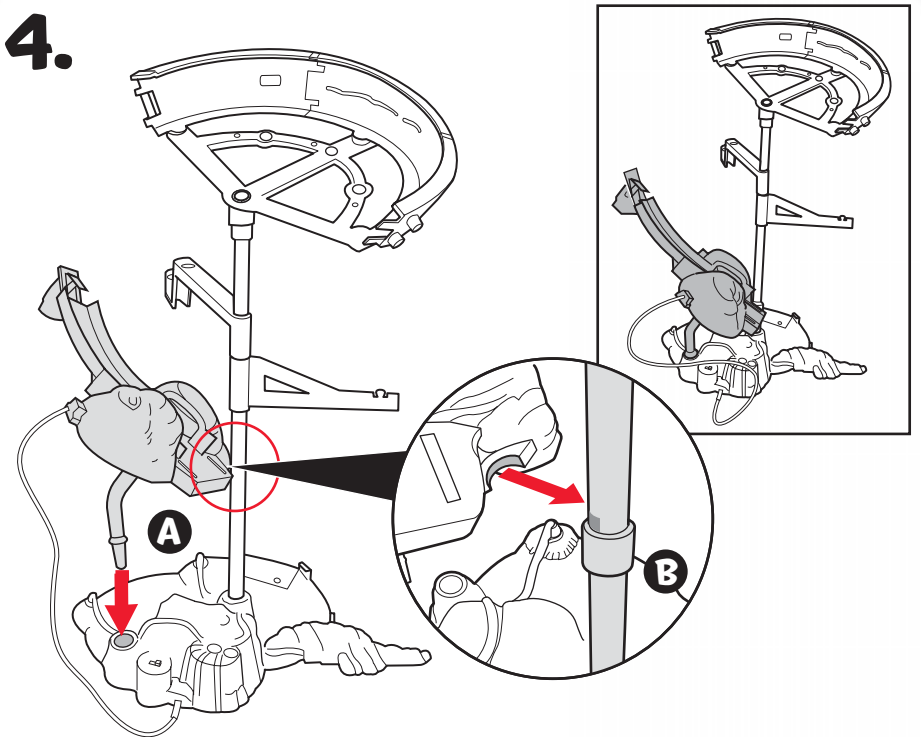
2.



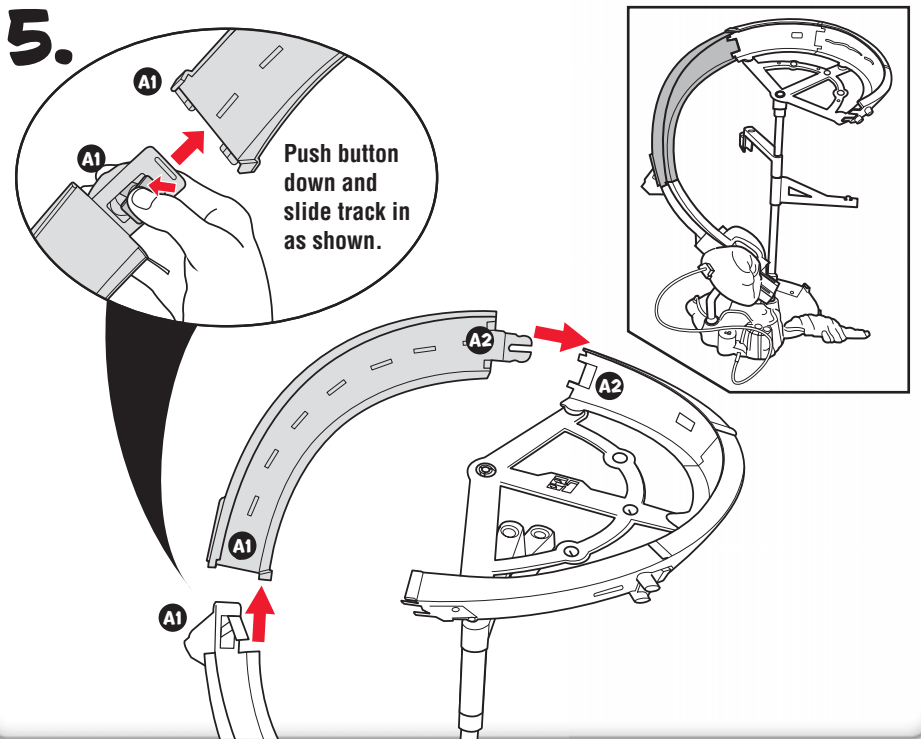
3.



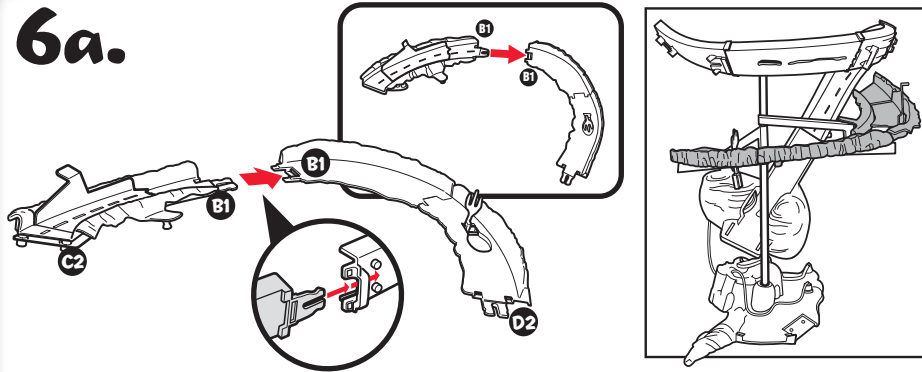
4.



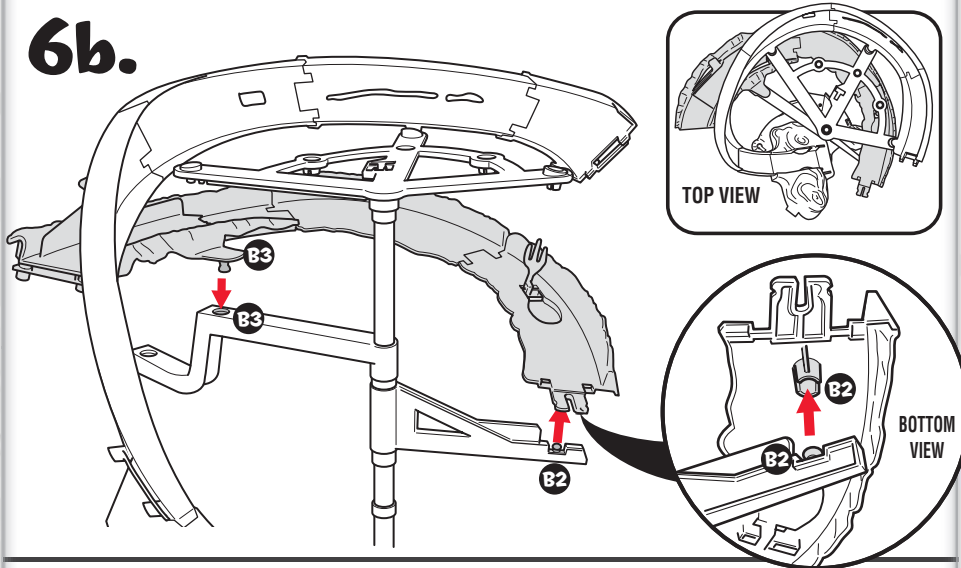
5.



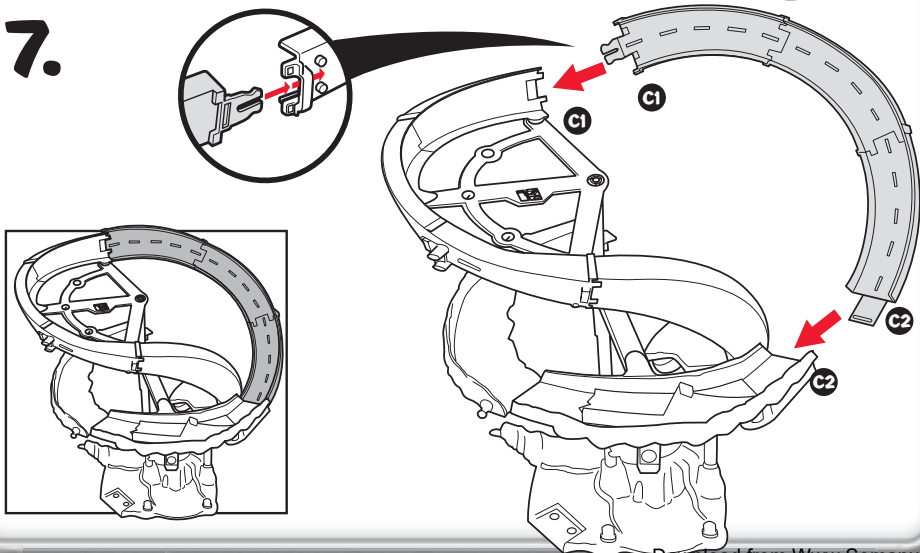
6a.



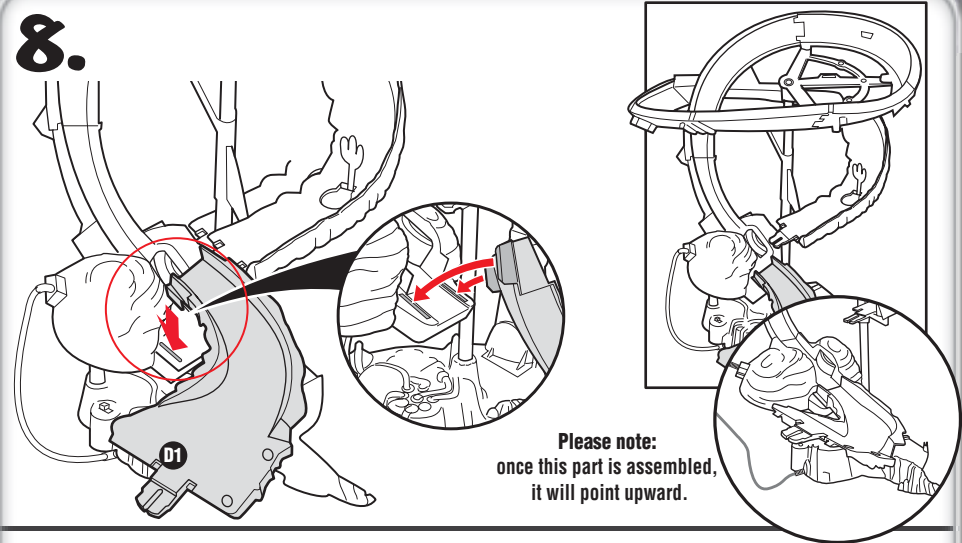
6b.



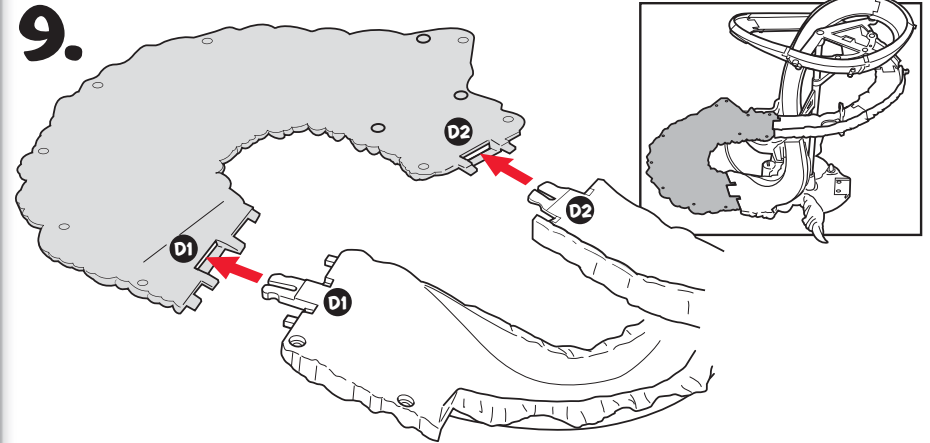
7.



8.



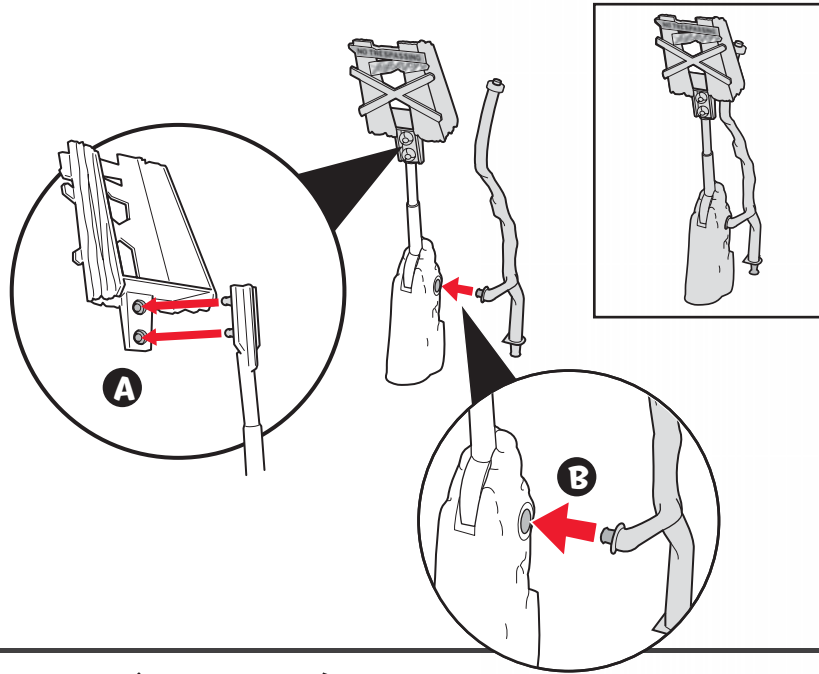
9.



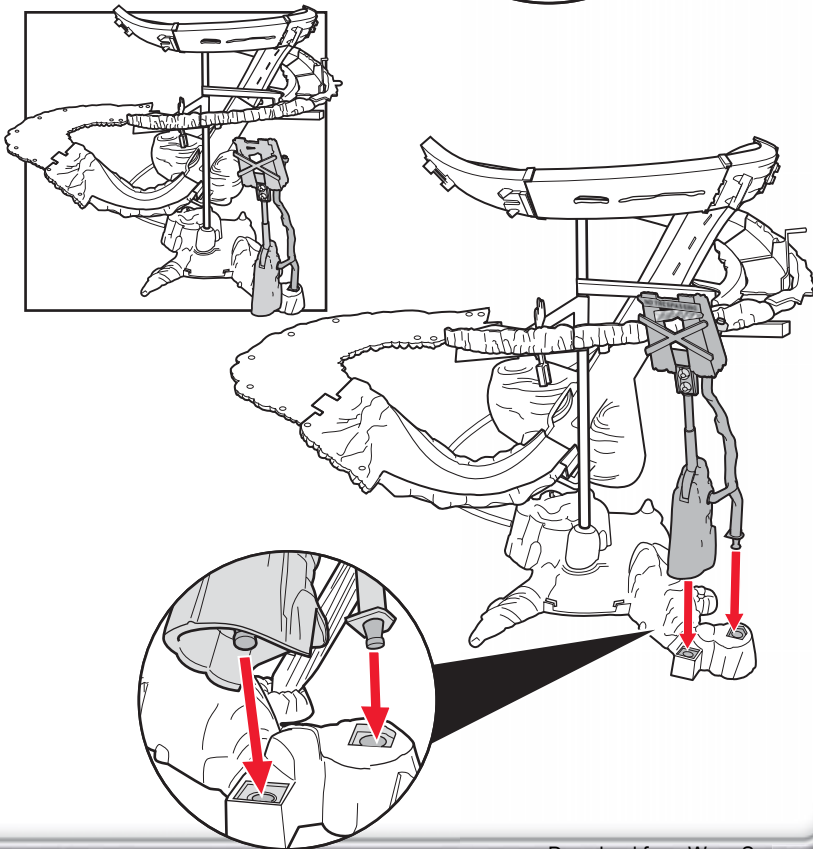
10.



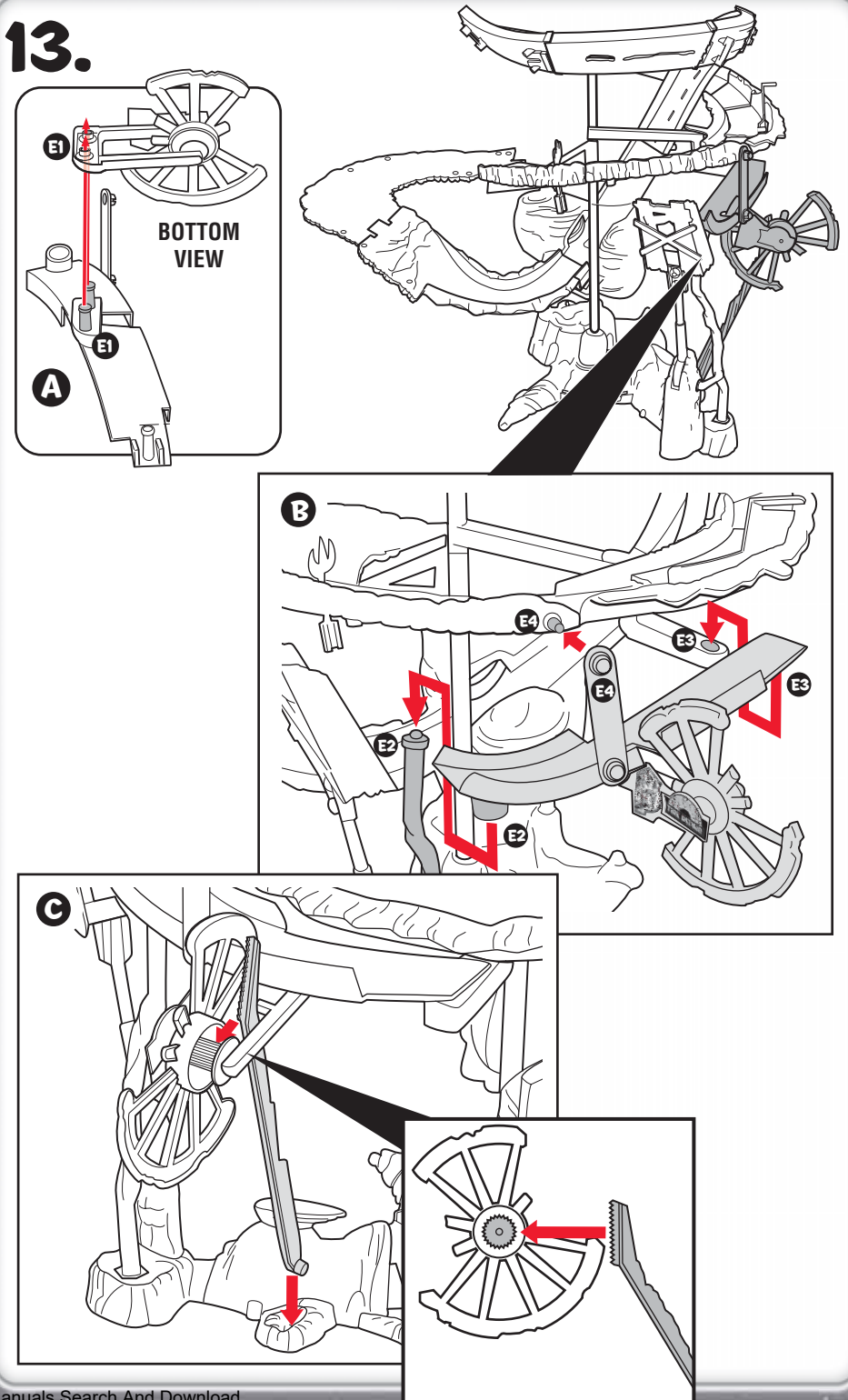
11.



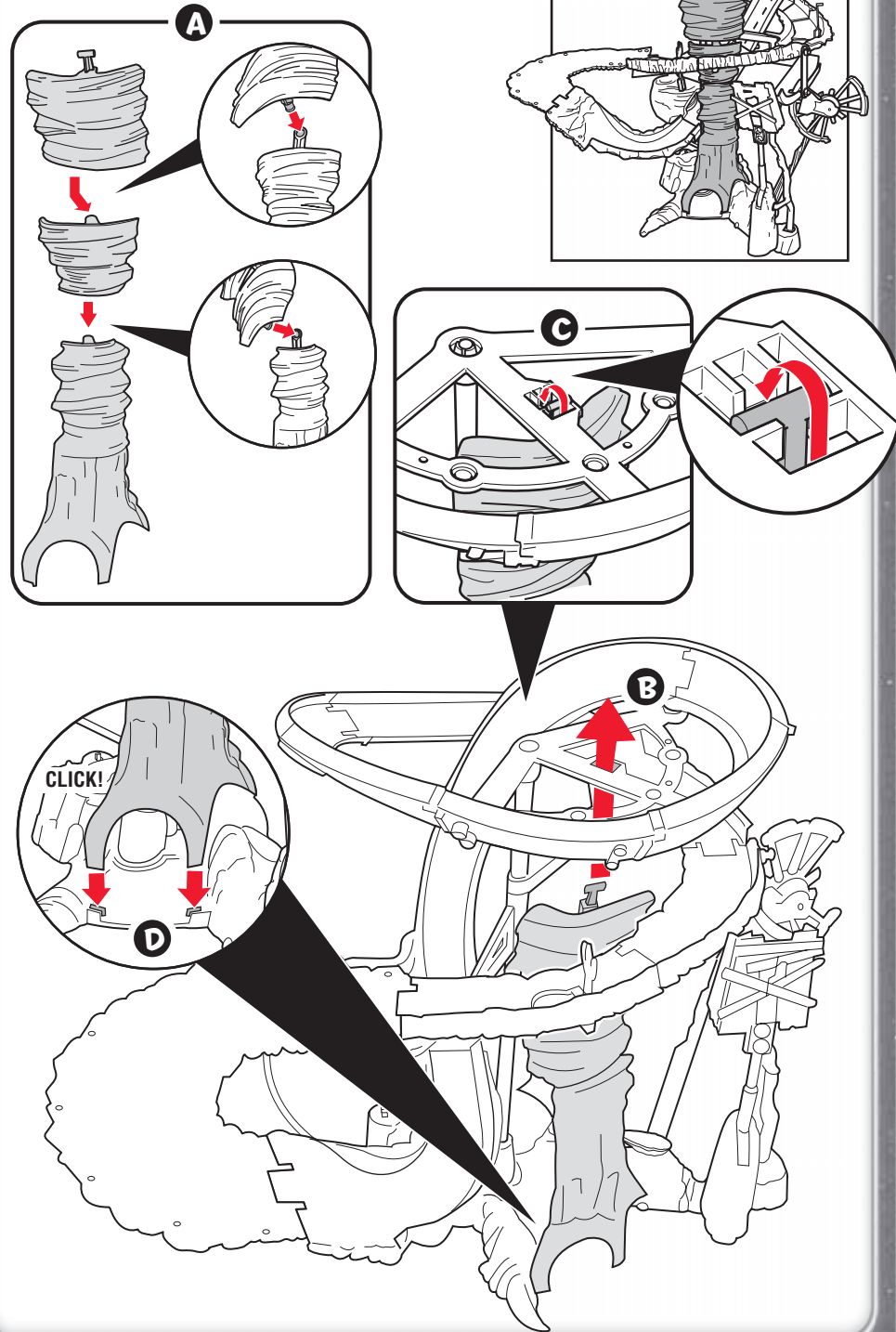
12.



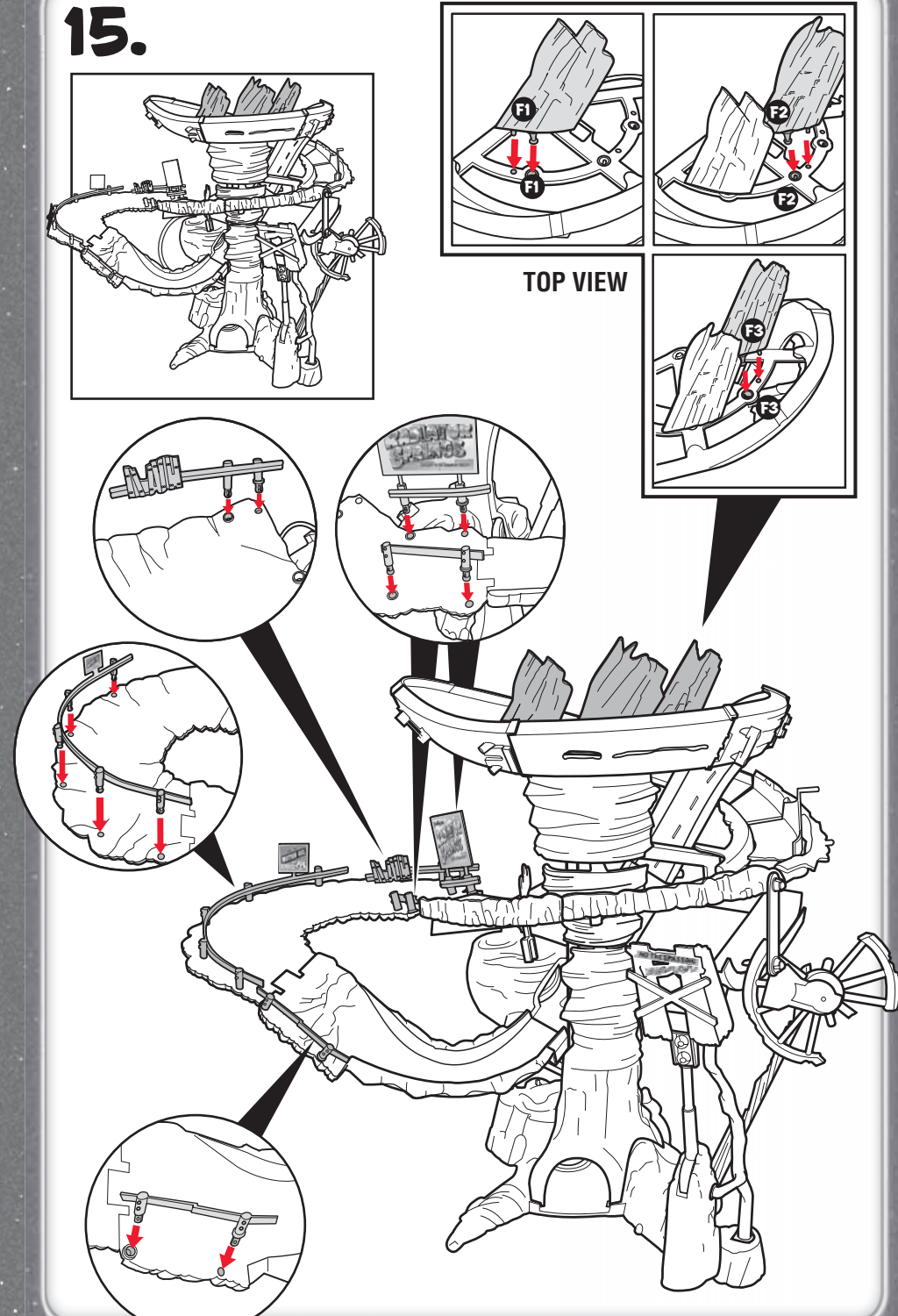
13.



14.

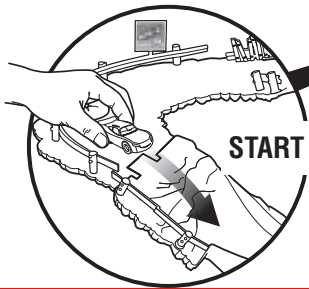
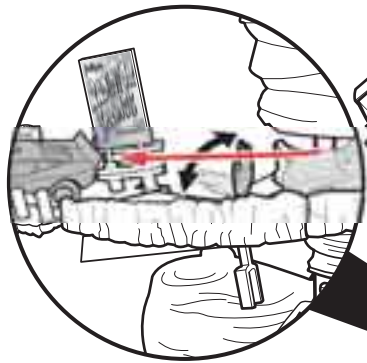


15.

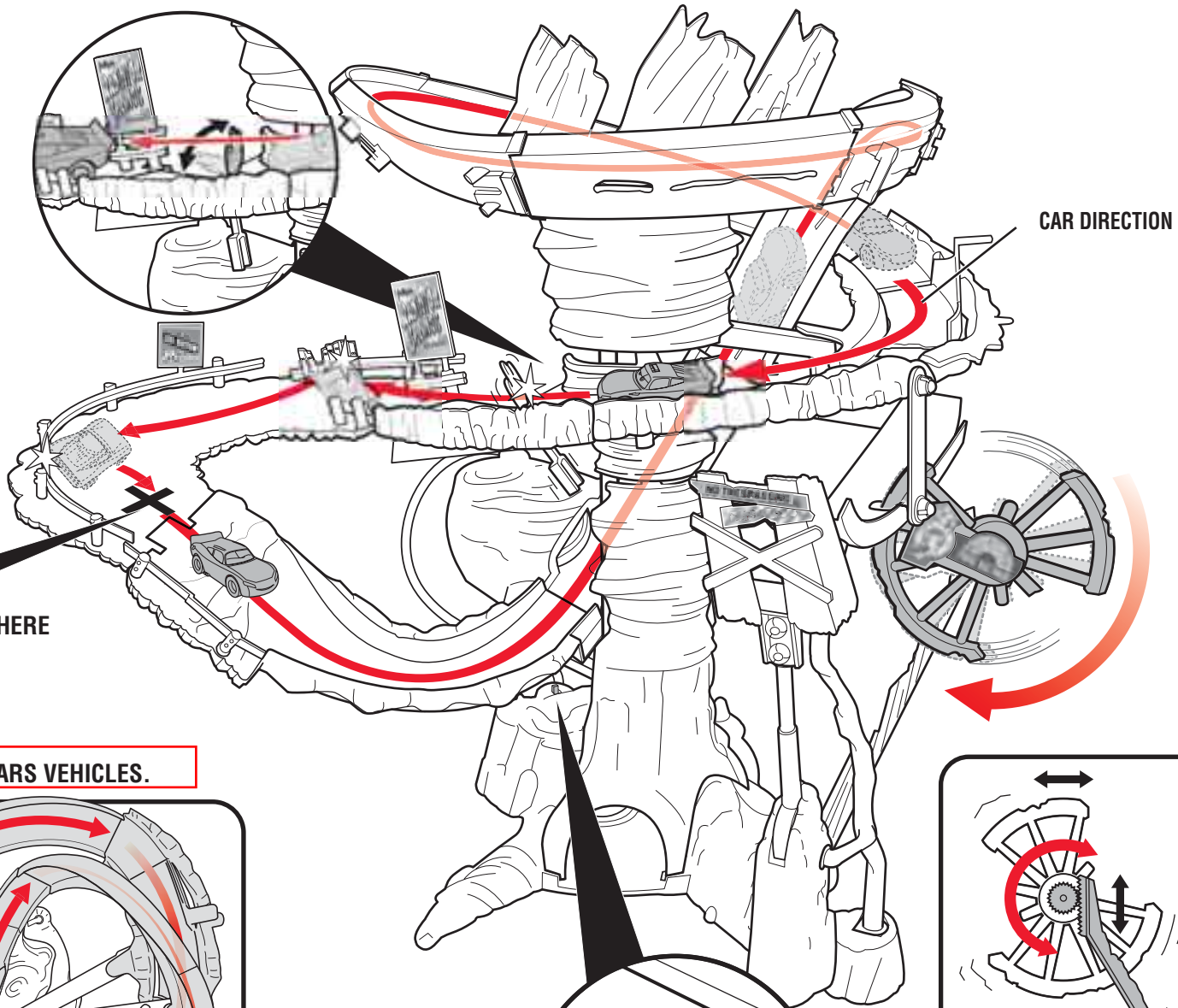


To Play

1.



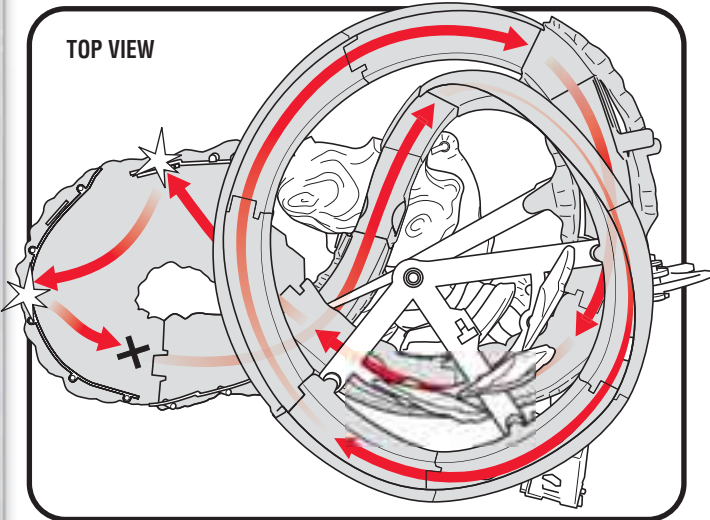
START HERE



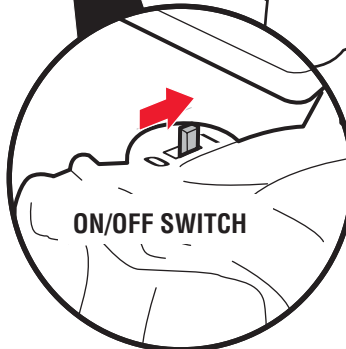
CAR DIRECTION

NOT FOR USE WITH SOME CARS VEHICLES.

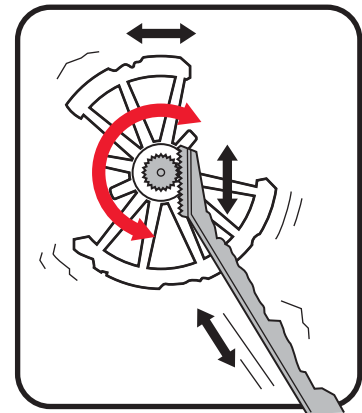
TOP VIEW



MOTOR



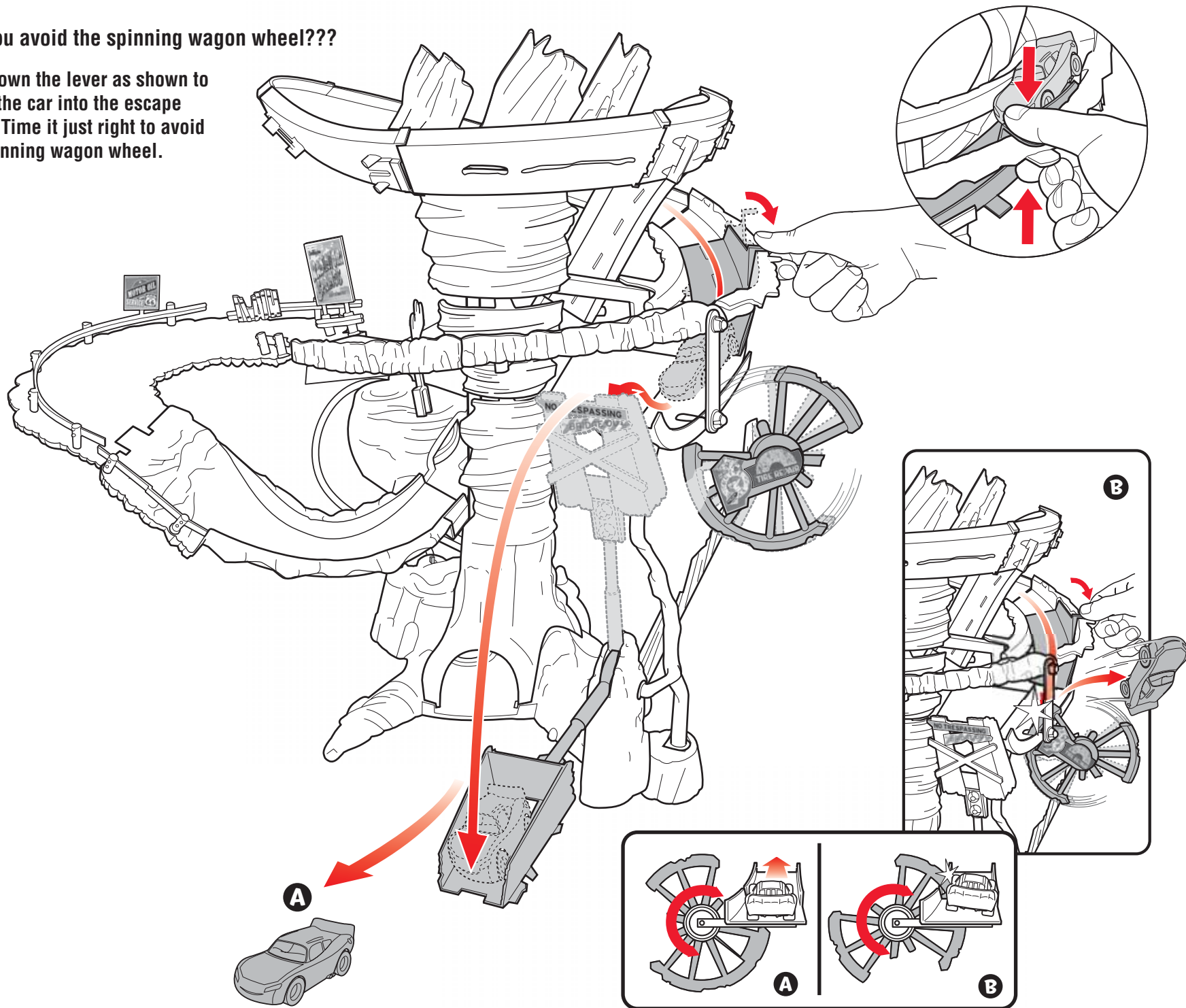
ON/OFF SWITCH



The wagon wheel will spin automatically and the set will wobble back and forth while the car is in motion.

2. Can you avoid the spinning wagon wheel???

Hold down the lever as shown to divert the car into the escape chute. Time it just right to avoid the spinning wagon wheel.



INSTRUCTION SHEET SPECIFICATIONS

Toy: Mountain Challenge playset

Toy No.: L9833

Part No.: 0920

Trim Size: 11"W x 8.5" H

Folded Size: 5.5"W x 8.5" H

Type of Fold: One

colors: Two

Colors: PMS485 + Black

Paper Stock: White Offset

Paper Weight: 70 lb.

EDM No.: 005

Free Manuals Download Website

<http://myh66.com>

<http://usermanuals.us>

<http://www.somanuals.com>

<http://www.4manuals.cc>

<http://www.manual-lib.com>

<http://www.404manual.com>

<http://www.luxmanual.com>

<http://aubethermostatmanual.com>

Golf course search by state

<http://golfingnear.com>

Email search by domain

<http://emailbydomain.com>

Auto manuals search

<http://auto.somanuals.com>

TV manuals search

<http://tv.somanuals.com>