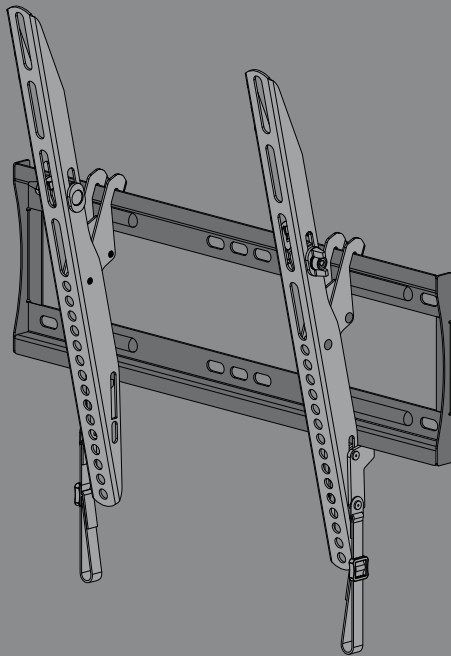




DX-TVMLPTB03

Low-Profile TV Wall Mount



For either wood-stud or
concrete wall installations

| | |
|---|---|
| Safety information and specifications . . . | 2 |
| Tools needed. | 3 |
| Package contents | 3 |
| Installation instructions. | 5 |

Safety information and specifications



IMPORTANT SAFETY INSTRUCTIONS - SAVE THESE INSTRUCTIONS

CAUTION: Do not use this product for any purpose not explicitly specified by Dynex.

Improper installation may cause property damage or personal injury. If you do not understand these directions, or have doubts about the safety of the installation, contact Customer Service or call a qualified contractor. Dynex is not responsible for damage or injury caused by incorrect installation or use.

The weight of your TV must not exceed 100 lbs. (45 kg). The wall must be capable of supporting five times the weight of your TV and wall mount combined.

This product contains small items that could be a choking hazard if swallowed. Keep these items away from young children!

Maximum TV weight: 100 lbs. (45 kg)

Screen size: 32 in. to 70 in. diagonal

Overall dimensions (H × W × D):

25.7 × 16.5 × 1.6 in. (653 × 420 × 42 mm)

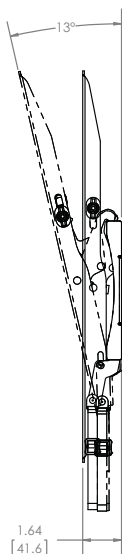
Wall-mount weight: 5.2 lbs. (2.35 kg)

We're here for you

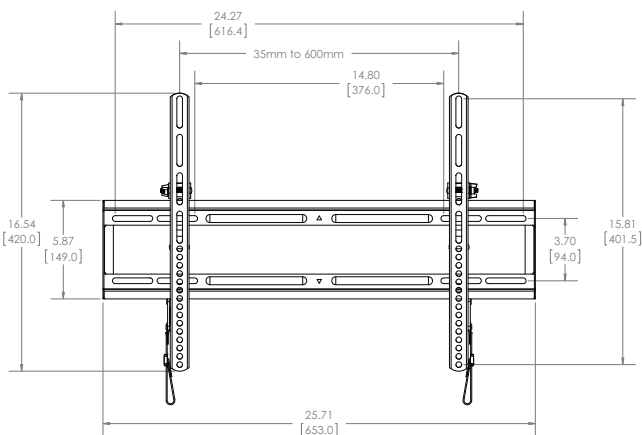
www.dynexproducts.com

For customer service, call:

1-800-305-2204 (U.S. and Canada) or 01-800-926-3020 (Mexico)



Tilt range



Tools needed

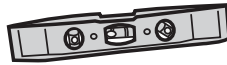
You will need the following tools to assemble your new TV wall mount:



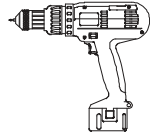
Edge-to-edge
stud finder



Pencil



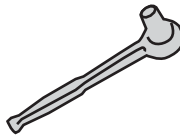
Level



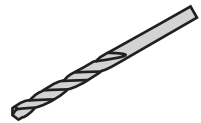
Drill



Phillips screwdriver



Socket wrench with 1/2"
(13 mm) socket or
adjustable wrench



7/32" (5.5 mm) wood drill bit for
wood stud wall

OR

3/8" (10 mm) masonry drill bit
(concrete only)



Measuring tape



Hammer

Package contents

Make sure that you have all the hardware necessary to assemble your new TV wall mount:

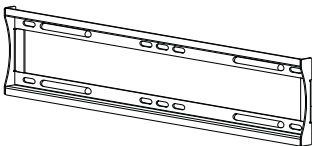
A Wall Plate (1)

C Right TV Bracket (1)

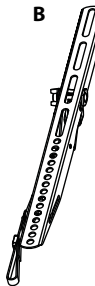
B Left TV Bracket (1)

HDMI Cable

A



B





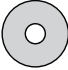
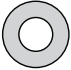

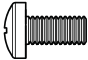

C


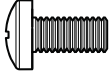
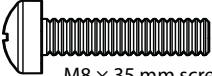

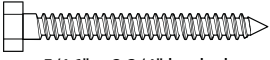


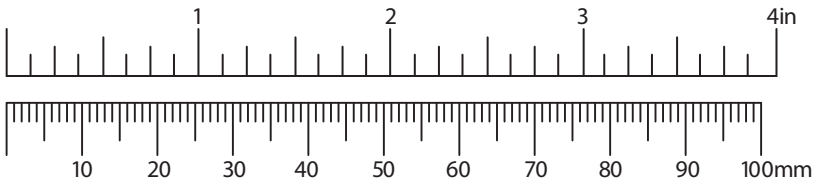
6' HDMI Cable



TV Hardware Bag

| Label | Hardware | Qty. |
|-------|---|------|
| E |  M4 x 12 mm screw | 4 |
| F |  M4 x 35 mm screw | 4 |
| G |  M4 washer | 8 |
| H |  M6/M8 washer | 4 |
| I |  Universal spacers | 4 |
| J |  M6 x 12 mm screw | 4 |
| K |  M6 x 20 mm screw | 4 |

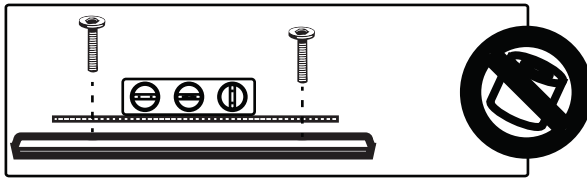
| Label | Hardware | Qty. |
|-------|---|------|
| L |  M6 x 35 mm screw | 4 |
| M |  M8 x 16 mm screw | 4 |
| N |  M8 x 35 mm screw | 4 |
| O |  Lag bolt washer | 4 |
| P |  5/16" x 2 3/4" lag bolt | 4 |



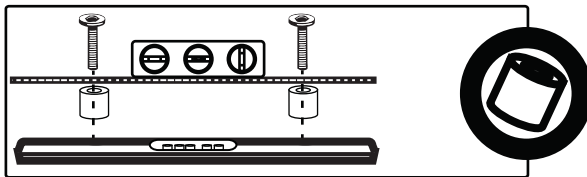
Installation instructions

STEP 1- Determine whether your TV has a flat back or an irregular or obstructed back

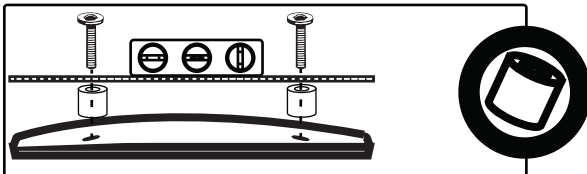
- 1 Carefully place your TV screen face-down on a cushioned, clean surface to protect the screen from damages and scratches.
- 2 If your TV has a table-top stand attached, remove the stand. See the documentation that came with your TV for instructions.
- 3 Temporarily lay the TV brackets (**B** and **C**) on the back of your TV.
- 4 Align the screw holes in the TV brackets with the mounting screw holes on your TV.
- 5 Identify which type of back your TV may have:
 - **Flat back:** The brackets lay flush against the back of your TV and do not block any jacks. You do not need spacers when assembling the wall mount.



- **Obstructed back:** The brackets block one or more of the jacks on the back of your TV. You will need spacers when assembling the wall mount.



- **Irregularly-shaped back:** There is a gap between a bracket and some part of the back of your TV. You will need spacers when assembling the wall mount.



- 6 Remove the TV brackets.

STEP 2 - Select screws, washers, and spacers

- 1 Select the hardware for your TV (screws, washers, and spacers). A limited number of TVs come with mounting hardware included. (If there are screws that came with the TV, they are almost always in the holes on the back of the TV.) If you don't know the correct length of the mounting screws your TV requires, test various sizes by hand threading the screws.

Select one of the following types of screws:

Flat back

- M4 × 12 mm screws (E)
- M6 × 12 mm screws (J)
- M6 × 20 mm screws (K)
- M8 × 16 mm screws (M)

Obstructed back

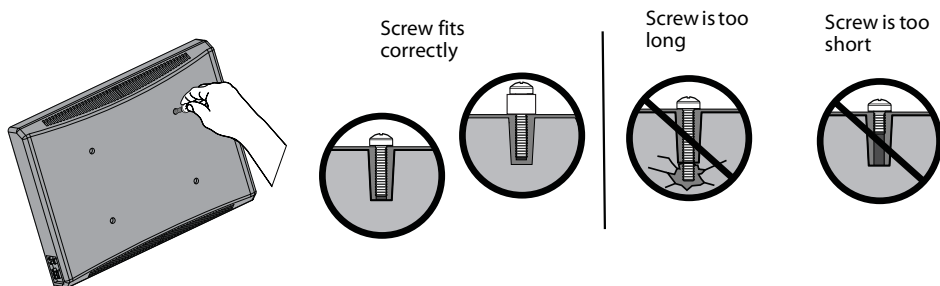
- M4 × 35 mm screws (F)
- M6 × 35 mm screws (L)
- M8 × 35 mm screws (N)

Select from the following washers:

- M4 washer (G)
- M6/M8 washer (H)

For an irregular or obstructed TV back, use the universal spacers (I).

CAUTION: To avoid potential personal injuries and property damage, make sure that there are adequate threads to secure the brackets to your TV. If you encounter resistance, stop immediately and contact customer service. Use the shortest screw and spacer combination to accommodate your TV. Using hardware that is too long may damage your TV. However, using a screw that is too short may cause your TV to fall from the mount.



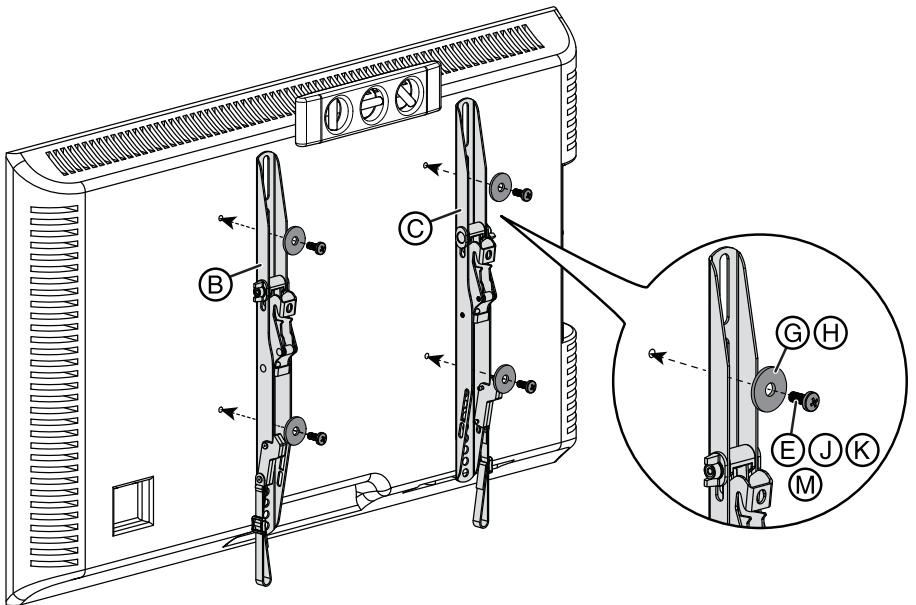
Note: If you plan to use a 5° tilt with a larger TV (42"+), we suggest using spacers with the mounting brackets so that the bottom of the TV does not touch the wall.

- 2 Remove the screws.
- 3 For a flat back TV, go to "STEP 3 - Option 1: Attaching the mounting hardware to TVs with a flat back" on page 7.
-OR-
For an irregular or obstructed back, go to "STEP 3 - Option 2: Attaching the mounting hardware to TVs with irregular or obstructed backs" on page 9.

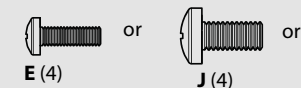
STEP 3 - Option 1: Attaching the mounting hardware to TVs with a flat back

Note: If you plan to use a 5° tilt with a larger TV (42"+), we suggest using spacers with the mounting brackets so that the bottom of the TV does not touch the wall.

- 1 Align the left and right TV brackets (**B** and **C**) with the screw holes on the back of the TV. Make sure that the brackets are level.
- 2 Install washers (**G** or **H**), and screws (**E**, **J**, **K**, or **M**) into the holes in the back of the TV.
- 3 Tighten the screws until they are snug against the TV brackets. Do not over tighten.

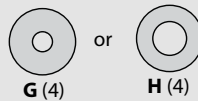


You'll need



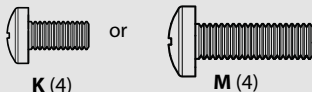
E (4)

J (4)



G (4)

H (4)



K (4)

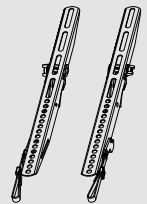
M (4)



Phillips screwdriver



Level



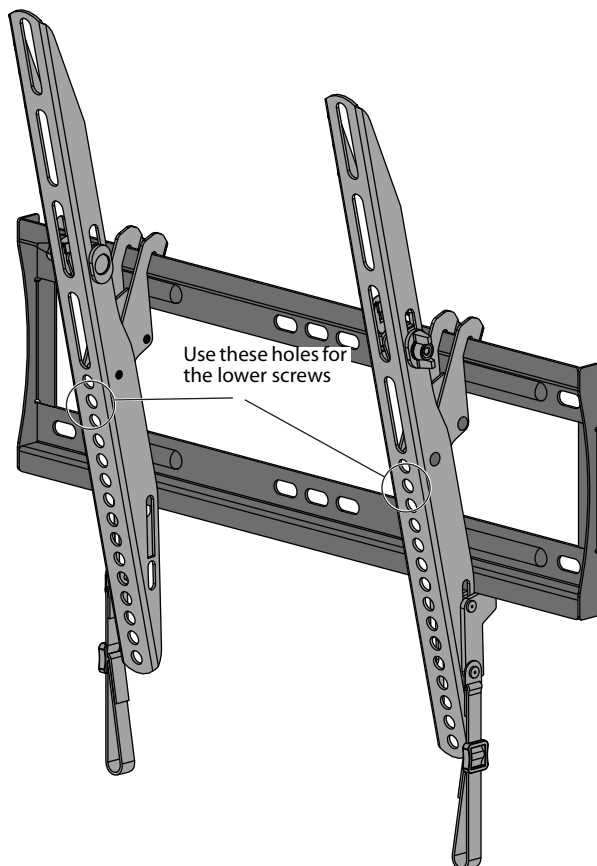
B and C TV brackets

Special instructions for VESA 100 x 100 and VESA 100 x 200 configurations

These special instructions apply if you need to install the brackets on a small TV with the VESA 100 x 100 or VESA 100 x 200 configurations.

Due to the way the TV mounting brackets (B and C) are made, the upper screw hole that must be used for this installation is located behind the tilt mechanism. In addition, you must use the second hole from the top (below the first slot) for the lower mounting screw.

- 1 Install the screws in the lower holes on the back of your TV. Use the second round screw hole below the slot on each bracket.

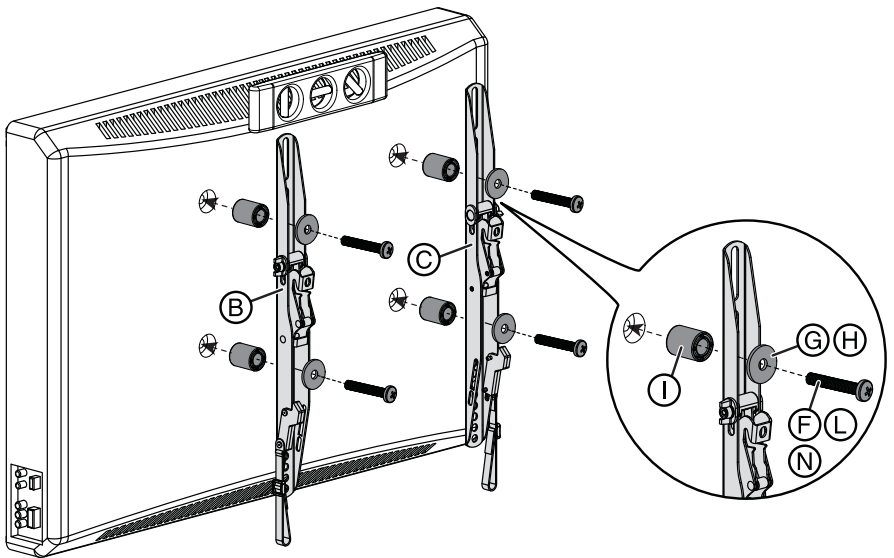


- 2 Pull out the tilt mechanism from one of the brackets and install the screw in the upper hole in the back of your TV.
- 3 Pull out the tilt mechanism from the other bracket and install the screw in the upper hole in the back of your TV.
- 4 Tighten all four screws until snug. Do not over-tighten.

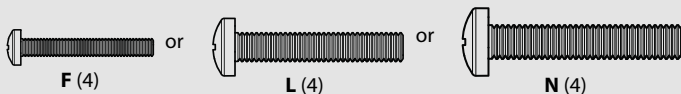
STEP 3 - Option 2: Attaching the mounting hardware to TVs with irregular or obstructed backs

Note: If you plan to use a 5° tilt with a larger TV (42"+), we suggest using spacers with the mounting brackets so that the bottom of the TV does not touch the wall.

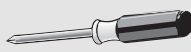
- 1 Align the left and right TV brackets (**B** and **C**) with the screw holes on the back of the TV. Make sure that the brackets are level.
- 2 Place spacers (**I**) behind the TV brackets. If you are using M4 washers (**G**), place them between the spacers and TV brackets and over the holes in the TV brackets. If you are using M6/M8 washers (**H**), place them over the holes in the TV brackets. Insert screws (**F**, **L**, or **N**) through the washers, TV brackets, and spacers.
- 3 Tighten the screws until they are snug against the TV brackets. Do not over tighten.



You'll need



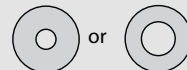
Level



Phillips screwdriver

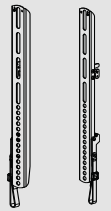


I (4)



G (8)

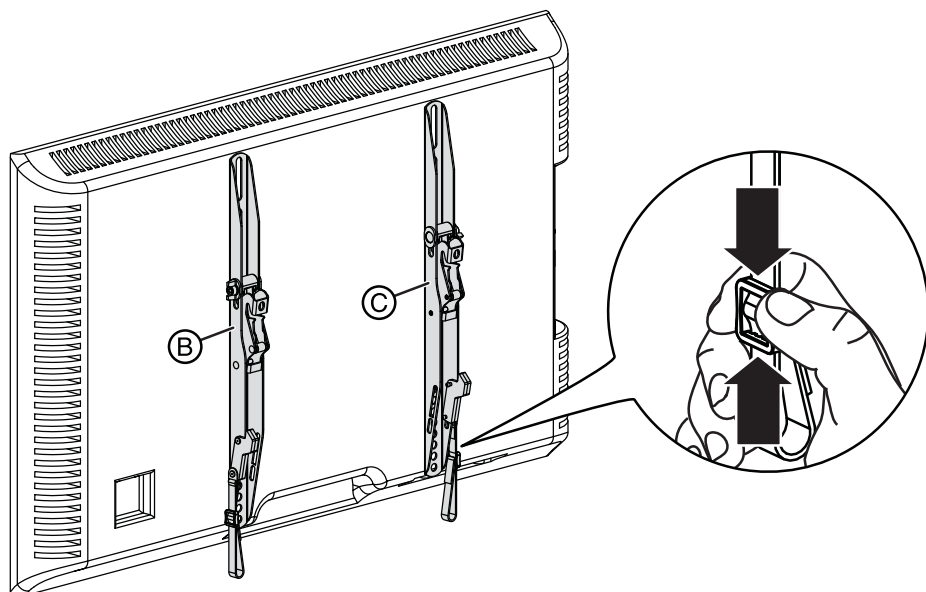
H (4)



B and C TV brackets

STEP 4 - Adjust the length of the straps

- For ease of access, the straps should be level with the bottom of the TV.



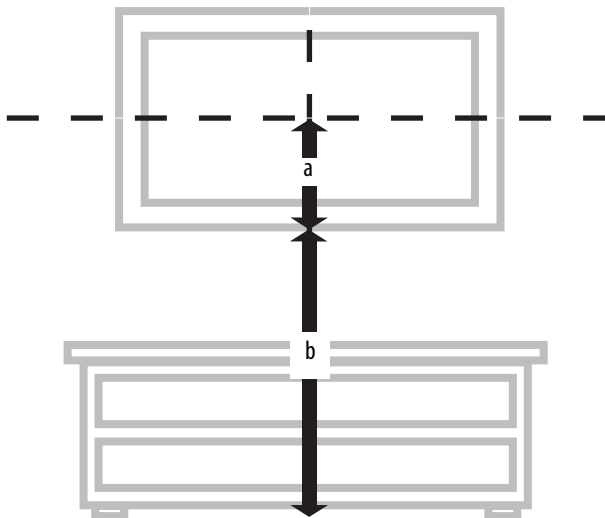
STEP 5 - Determine wall-mount location

Notes:

- For more detailed information on determining where to drill your holes, visit our online height-finder at: <http://mf1.bestbuy.selectionassistant.com/index.php/heightfinder>
- Your TV should be high enough so your eyes are level with the middle of the screen. Normally, this is 40 to 60 inches from the ground.

The center of your TV will match the center of the wall plate (A). Before you drill holes in the wall:

- 1 Measure the distance from the bottom of your TV to the middle (half of the height of the TV). This is measurement **a**.
- 2 Measure the distance from the floor to where you want the bottom of the TV to be placed on the wall. Keep in mind that the bottom of the TV should be placed above any furniture (such as entertainment centers or TV stands). The TV should also be above items placed on top of the furniture (like a Blu-ray player or cable box). This measurement is **b**.
- 3 Add **a + b**. The total measurement is the height where you want the center of the wall plate to be on the wall.
- 4 Use a pencil to mark this spot on the wall.



You'll need



Measuring tape



Pencil

STEP 6 - Option 1: Installing on a wood stud wall

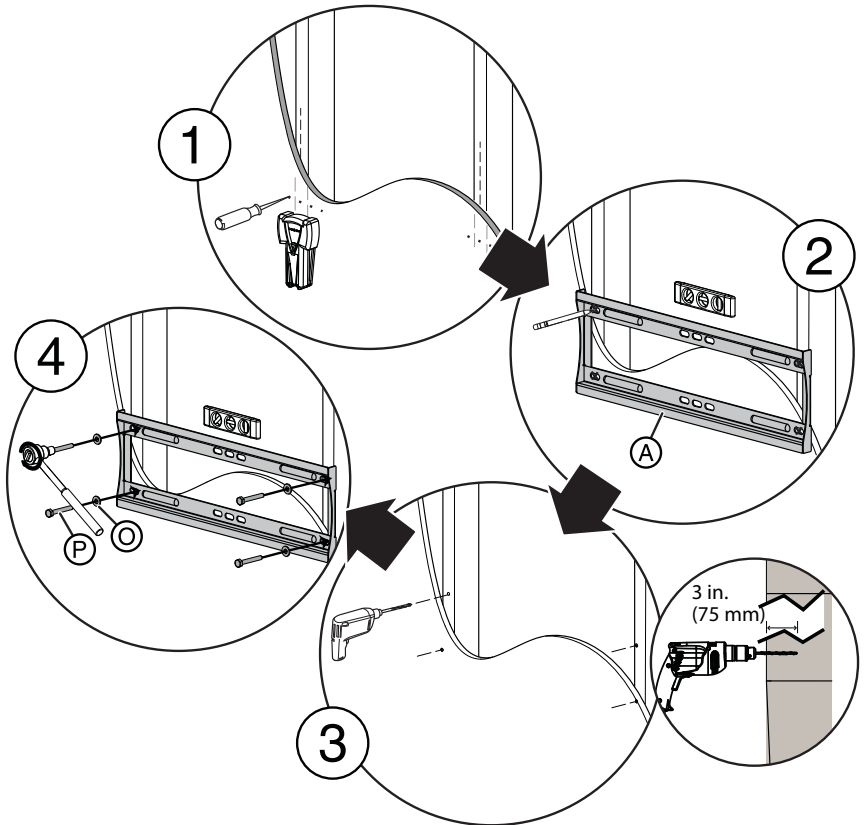
Note: Any drywall covering the wall must not exceed 5/8" (16 mm).

- 1 Locate the studs. Verify the centers of the studs with an edge-to-edge stud finder.
- 2 Align the wall plate (A) at the height you determined in the previous step, make sure that it is level, then use a pencil to mark the lag bolt hole locations (4) on the stud centers. Remove the wall plate (A).
- 3 Drill pilot holes to a depth of 3 in. (75 mm) using a 7/32 in. (5.5 mm) diameter drill bit.
- 4 Align the wall plate (A) with the pilot holes, insert the lag bolts (P) through the lag bolt washers (O), then through the holes in the wall plate. Tighten the lag bolts only until they are firm against the wall plate.

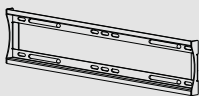


CAUTION: Avoid potential injuries or property damage! DO NOT over-tighten the lag bolts (P).

- Minimum wood stud size: common 51 x 102 mm (2 x 4 in.) nominal 38 x 89 mm (1 1/2 x 3 1/2 in.).
- Minimum spacing between horizontal fasteners cannot be less than 16 in.



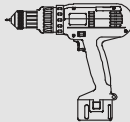
You'll need



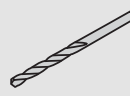
Wall plate (A)



Pencil



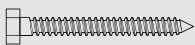
Drill



7/32" wood drill bit



1/2" socket wrench

Edge-to-edge
stud finder

P (4)




O (4)



Level

STEP 6 - Option 2: Installing on a solid concrete or concrete block wall

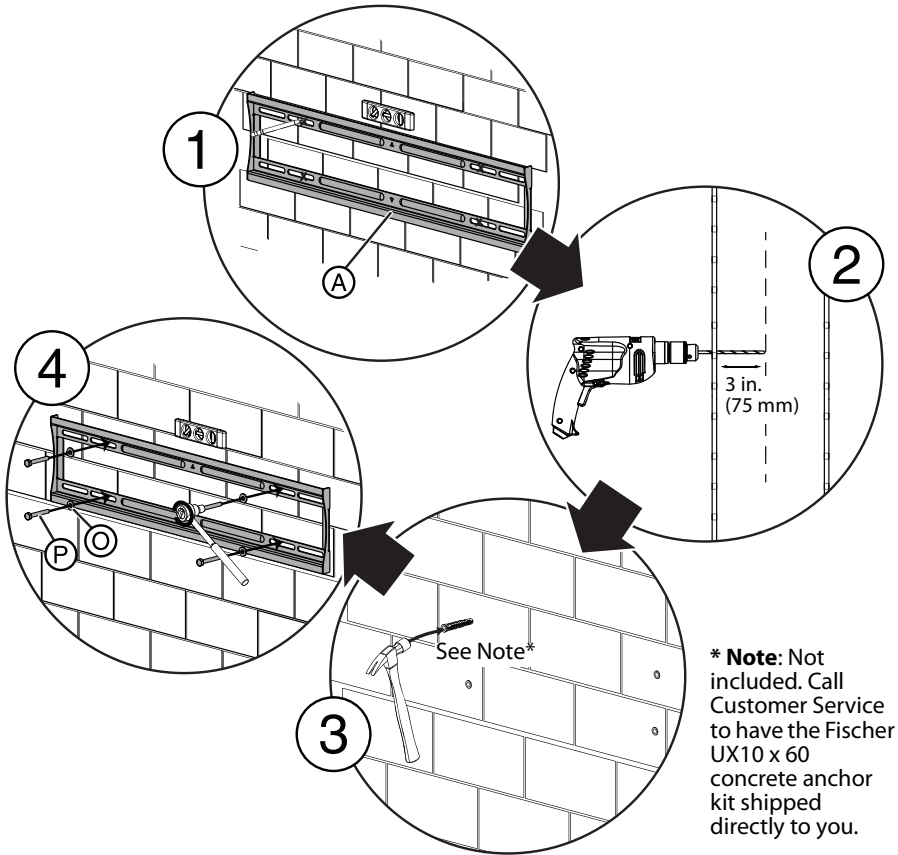
 **CAUTION:** To prevent property damage or personal injury, never drill into mortar between blocks. Mount the wall plate directly onto the concrete surface.

- 1 Align the wall plate (A) at the height you determined in the previous step, make sure that it is level, then use a pencil to mark the lag bolt hole locations (4). Remove the wall plate (A).
- 2 Drill pilot holes to a depth of 3 in. (75 mm) using a 3/8 in. (10 mm) diameter masonry drill bit.
- 3 Insert the concrete wall anchors* into the pilot holes and use a hammer to make sure the anchors are flush with the concrete surface.
- 4 Align the wall plate (A) with the anchors, insert the lag bolts (P) through the lag bolt washers (O), then through the holes in the wall plate. Tighten the lag bolts only until they are firm against the wall plate.

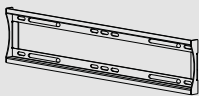
 **CAUTION:** Avoid potential injuries or property damage! DO NOT over-tighten the lag bolts (P).

***Not included. Call Customer Service to have the Fischer UX10 x 60 concrete anchor kit shipped directly to you.**

- * Minimum solid concrete thickness: 8 in. (203mm).
 - * Minimum concrete block size: 8 x 8 x 16 in. (203 x 203 x 406 mm).
- The minimum distance between the top two fasteners cannot be less than 16 in.



You'll need



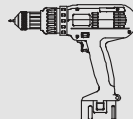
Wall plate (A)



Pencil



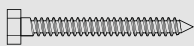
3/8" masonry drill bit



Drill



1/2" socket wrench



P (4)



O (4)



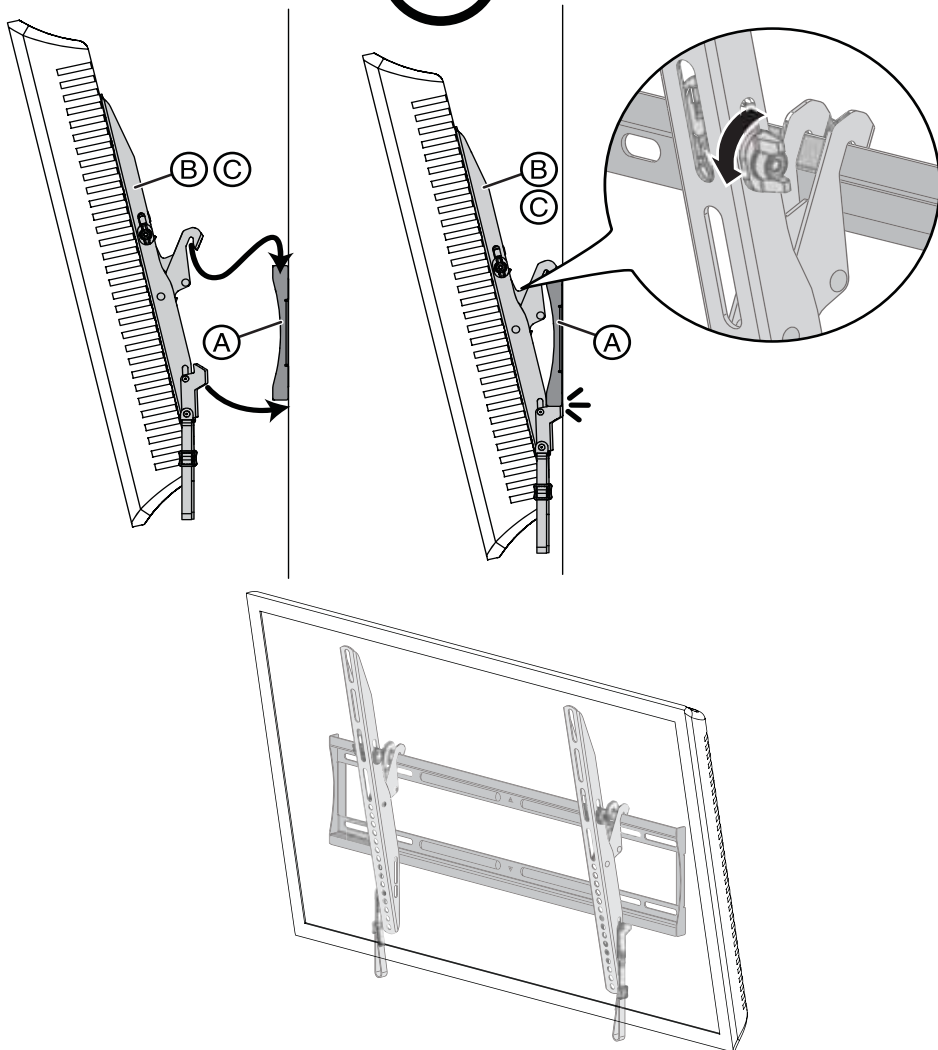
Level

STEP 7 - Mounting the TV to the wall plate

- 1 Place the TV brackets (B and C) into the slotted flanges of the wall plate (A).
- 2 Push the bottom of the TV toward the wall until the latch mechanism clicks into place.
- 3 To adjust the tilt, loosen the wing nut on each of the brackets, tilt as necessary, then tighten the wing nuts.



HEAVY! You will need assistance with this step.

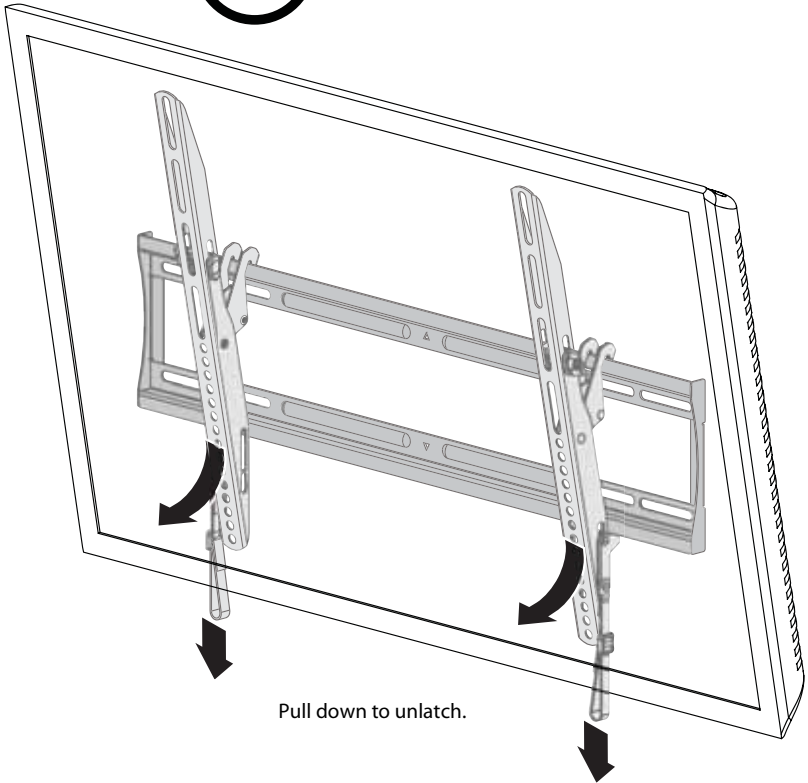


Removing the TV from the wall plate

- 1 Grasp the TV by the bottom edge, then pull down on the locking cords and pull the bottom of the TV out from the wall.
- 2 Release the locking cords and lift the top of the TV from the wall bracket.



HEAVY! You will need assistance with this step.



Pull down to unlatch.

DYNEX™

Part #: 6907-002069

www.dynexproducts.com
1-800-305-2204 (U.S. and Canada) or 01-800-926-3020 (Mexico)
DYNEX is a trademark of Best Buy and its affiliated companies.
Registered in some countries.
Distributed by Best Buy Purchasing, LLC
7601 Penn Ave. South, Richfield, MN 55423 U.S.A.
© 2014 Best Buy. All rights reserved.
Made in China.

V1 ENGLISH 14-0885

Download from Www.Somanuals.com. All Manuals Search And Download.

Free Manuals Download Website

<http://myh66.com>

<http://usermanuals.us>

<http://www.somanuals.com>

<http://www.4manuals.cc>

<http://www.manual-lib.com>

<http://www.404manual.com>

<http://www.luxmanual.com>

<http://aubethermostatmanual.com>

Golf course search by state

<http://golfingnear.com>

Email search by domain

<http://emailbydomain.com>

Auto manuals search

<http://auto.somanuals.com>

TV manuals search

<http://tv.somanuals.com>