

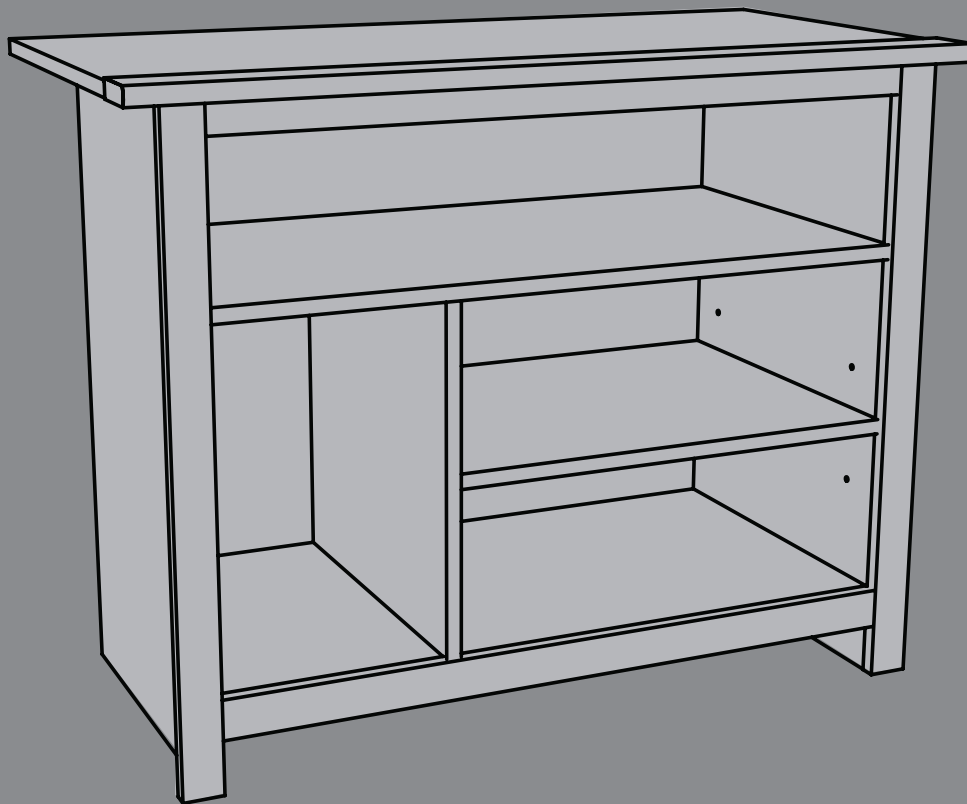
# DYNE X™



## ASSEMBLY INSTRUCTIONS

**DX-WD1201**

Espresso TV Stand for 32" TVs



Safety information and specifications .....	2
Tools needed .....	3
Package contents .....	4
Assembly instructions.....	6

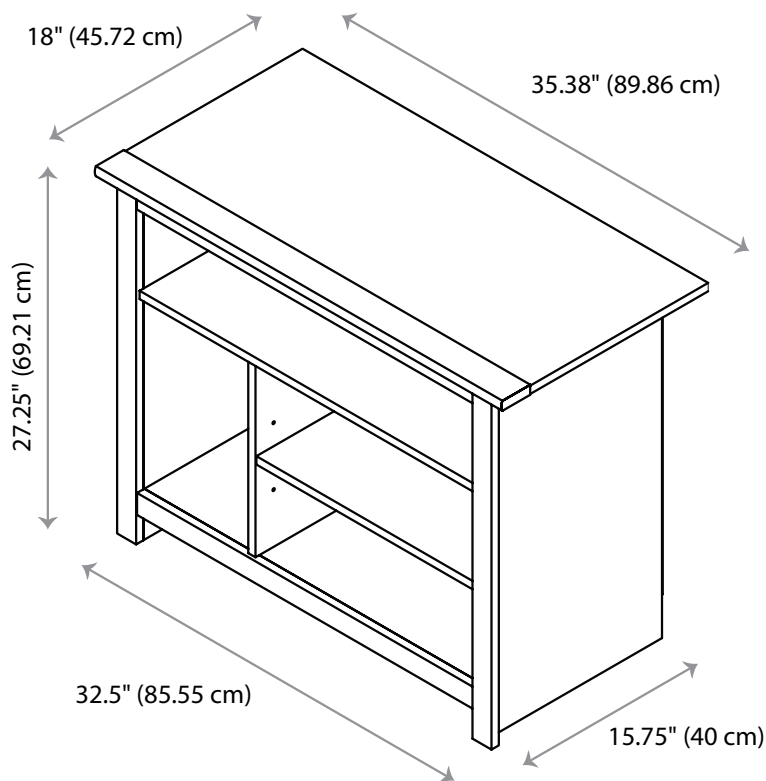
## Safety information and specifications



### CAUTION:

This stand's work surface is intended only for use with a product not weighing more than 95 lbs. (43.09 kg) and accommodates most 32" flat-panel TVs with dimensions that will permit the TV to sit evenly on the stand. Using with other products, including products that weigh more than the maximum weight allowed, may result in instability, which may cause possible injury.

Maximum weight: 95 lbs. (43.09 kg)  
 Maximum screen size: Most 32" flat-panel TVs  
 Weight capacity (top of stand): 95 lbs. (43 kg)  
 Weight capacity (top shelf): 35 lbs. (15 kg)  
 Weight capacity (middle shelf): 25 lbs. (11 kg)  
 Weight capacity (total lower shelf): 50 lbs (22 kg)  
 Overall dimensions: (W × H × D)  
 35.38 × 27.25 × 18 inches (89.86 × 69.21 × 45.72 cm)  
 Top of stand: (W × D) 35.38 × 18 inches (89.86 × 45.72 cm)  
 Usable top shelf: (W × H × D)  
 29 × 6.13 × 15.5 inches (73.66 × 15.57 × 39.37 cm)  
 Usable left game shelf: (W × H × D)  
 9.38 × 14.5 × 15.5 inches (23.82 × 36.83 × 39.37 cm)  
 Usable right middle shelf (in middle position): W × H × D  
 19.25 × 6.88 × 15.5 inches (48.89 × 17.47 × 39.37 cm)  
 Usable lower shelf (shelf in middle position): W × H × D  
 19.25 × 6.88 × 15.5 inches (48.89 × 17.47 × 39.37 cm)

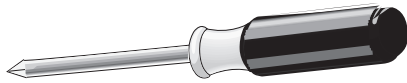


## Warnings

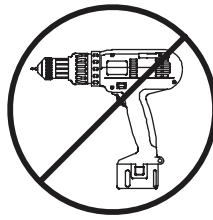
- Do not let children climb on your stand or play near it. The stand may tip over causing the TV or stand to injure someone.
- When placing items on the shelves or the top of the stand, load the bottom shelf first and work up to the top of your stand.
- Do not overload the shelves. They may break.
- Do not move your stand with items on the top or shelves. Your stand may tip over and injure someone. Before you move your stand, unload starting with the top of your stand and working to the bottom shelf.
- Do not push your stand to move it. With the help of a second person, lift your stand to move it.

Need help? Call 800-305-2204

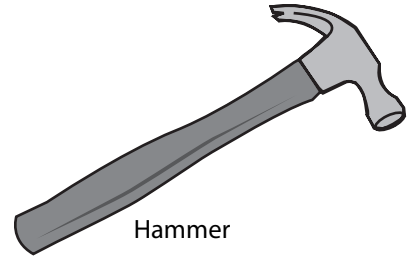
**Tools needed**



No. 2 Phillips screwdriver




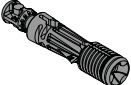
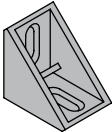
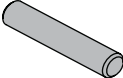
**Caution:** Do not use an electric drill or screwdriver

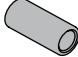
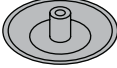



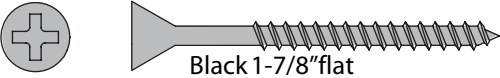
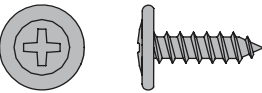

Hammer

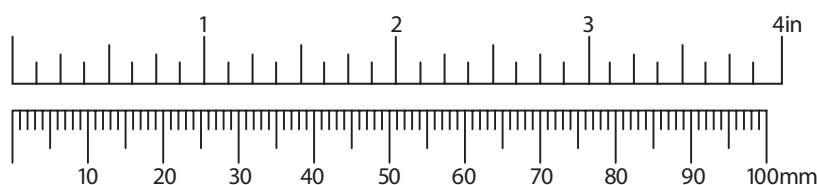
## Package contents: hardware

Make sure you have all the hardware necessary to assemble your new TV stand:

Label	Hardware	Qty.
M2	 Hidden cam	17
N2	 Cam dowel	17
O	 Angle bracket	3
P	 Metal pin	6

Label	Hardware	Qty.
Q	 Rubber sleeve	4
R	 Cam cover	13
S	 Warning label	1

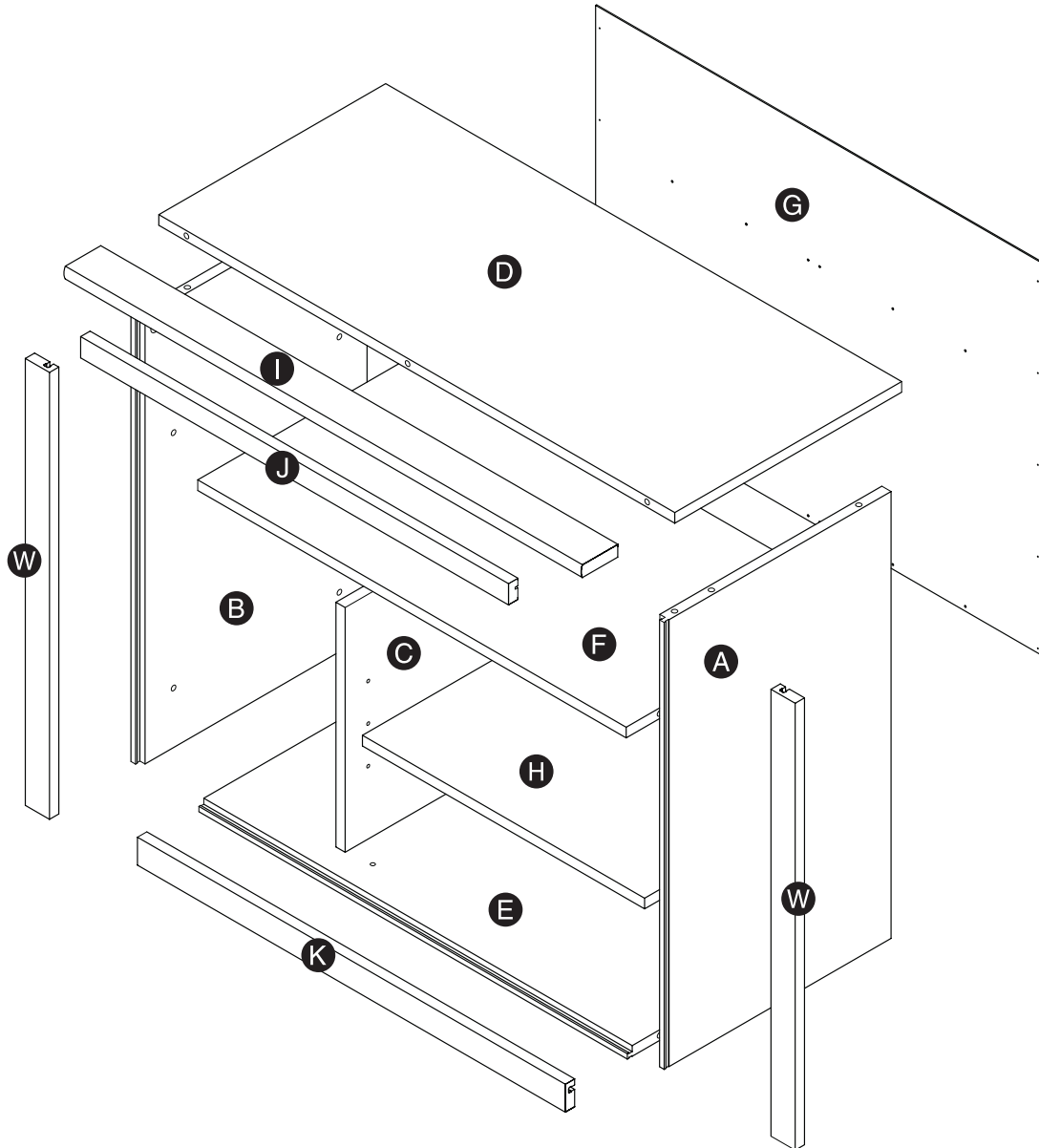
Label	Hardware	Qty.
T	 Black 1-7/8" flat head screw	2
U	 Black 9/16" large head screw	6
V	 Nail	24



Need help? Call 800-305-2204

## Package contents: parts

*Note: All parts except for the back (G) have a lettered sticker to make identifying parts easier.*



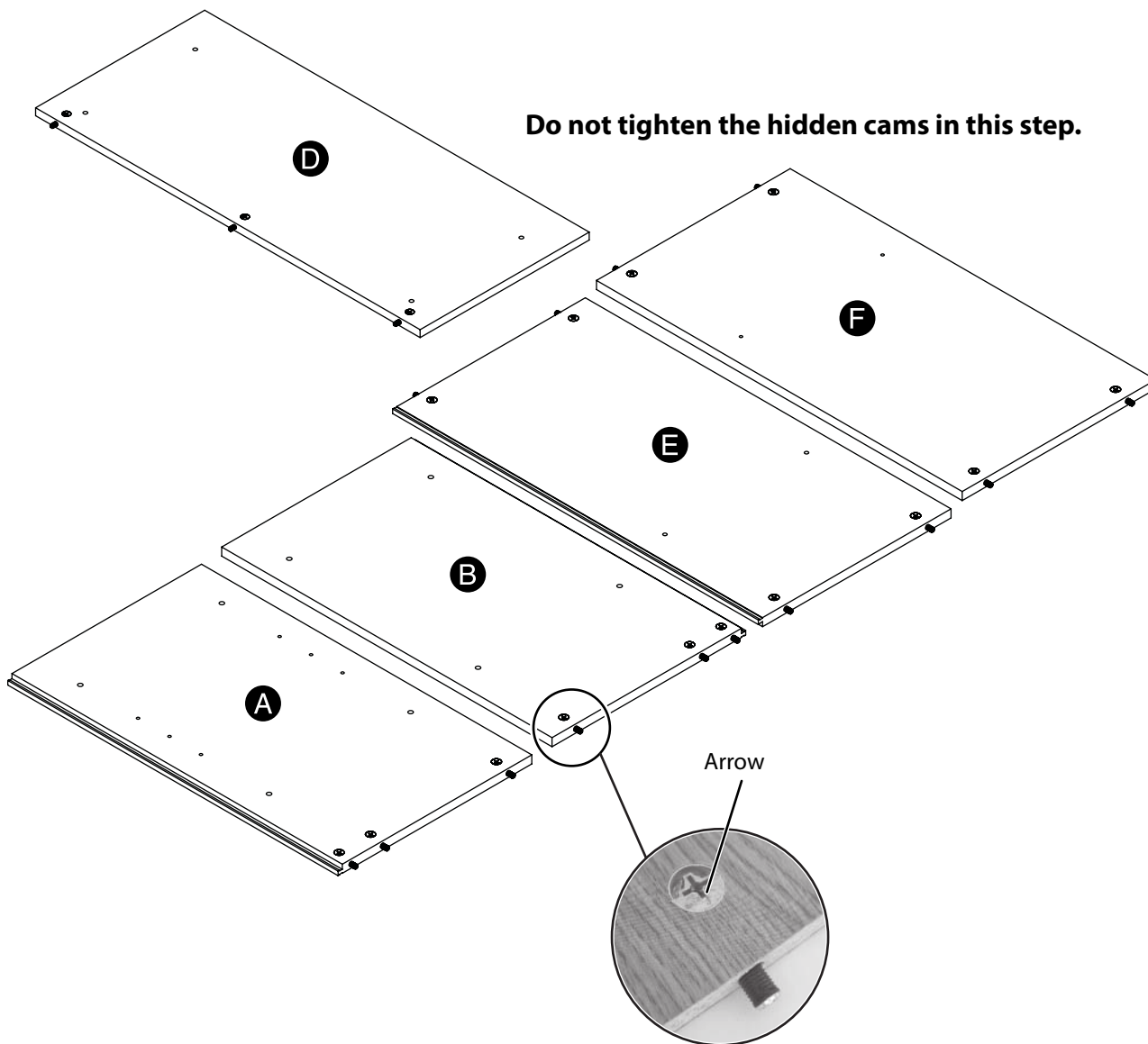
Letter	Description	Qty.	Letter	Description	Qty.
A	Right end	1	G	Back	1
B	Left end	1	H	Adjustable shelf	1
C	Upright	1	I	Stop molding	1
D	Top	1	J	Top skirt	1
E	Bottom	1	K	Bottom molding	1
F	Shelf	1	W	End molding	2

Need help? Call 800-305-2204

## Step1:

Assemble your stand on a carpeted floor or on the empty carton to avoid scratching your unit or the floor. A hidden cam (**M2**) has an arrow. When you insert the hidden cam, make sure that the arrow points toward the hole in the side of the part you are inserting it into.

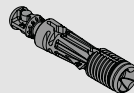
Push seventeen hidden cams (**M2**) into the ends (**A** and **B**), top (**D**), bottom (**E**), and shelf (**F**). Then, insert **the metal end of** a cam dowel (**N2**) into each hidden cam.



### You'll need:



**M2** (17)



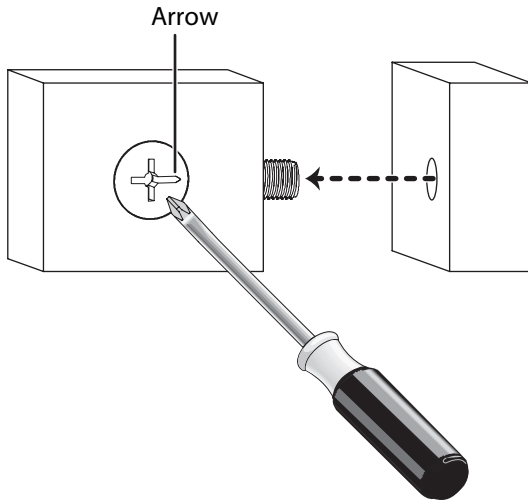
**N2** (17)

Need help? Call 800-305-2204

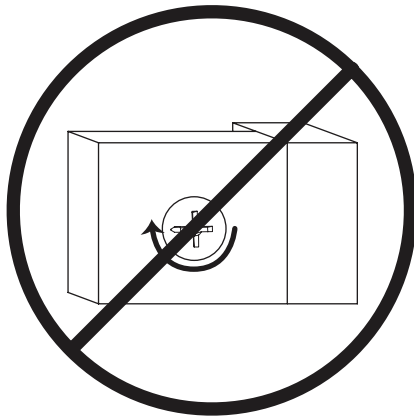
## Tightening hidden cams:

In the **remaining** steps, use these illustrations for instructions on tightening hidden cams.

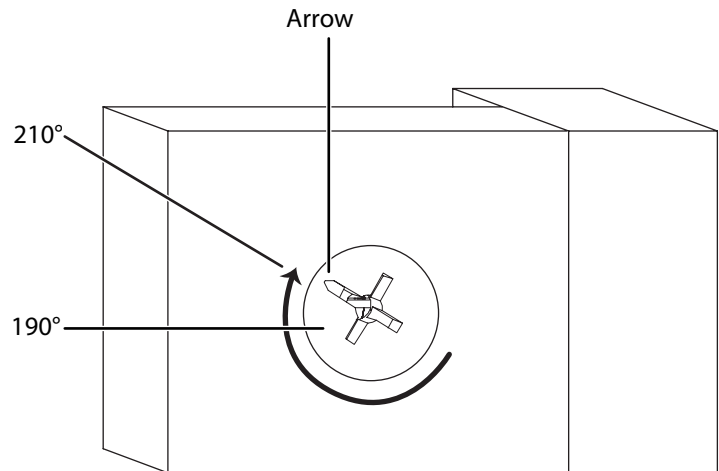
**Warning:** Risk of damage or injury. Hidden cams must be completely tightened. Hidden cams that are not completely tightened will loosen, and parts may separate.



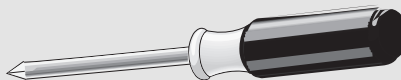
In the illustration below, the hidden cam has not been tightened enough.



Make sure that you turn the hidden cam a minimum of 190° to a maximum of 210°. Note the position of the arrow on the hidden cam.



### You'll need:



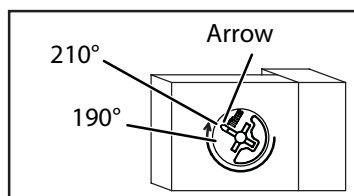
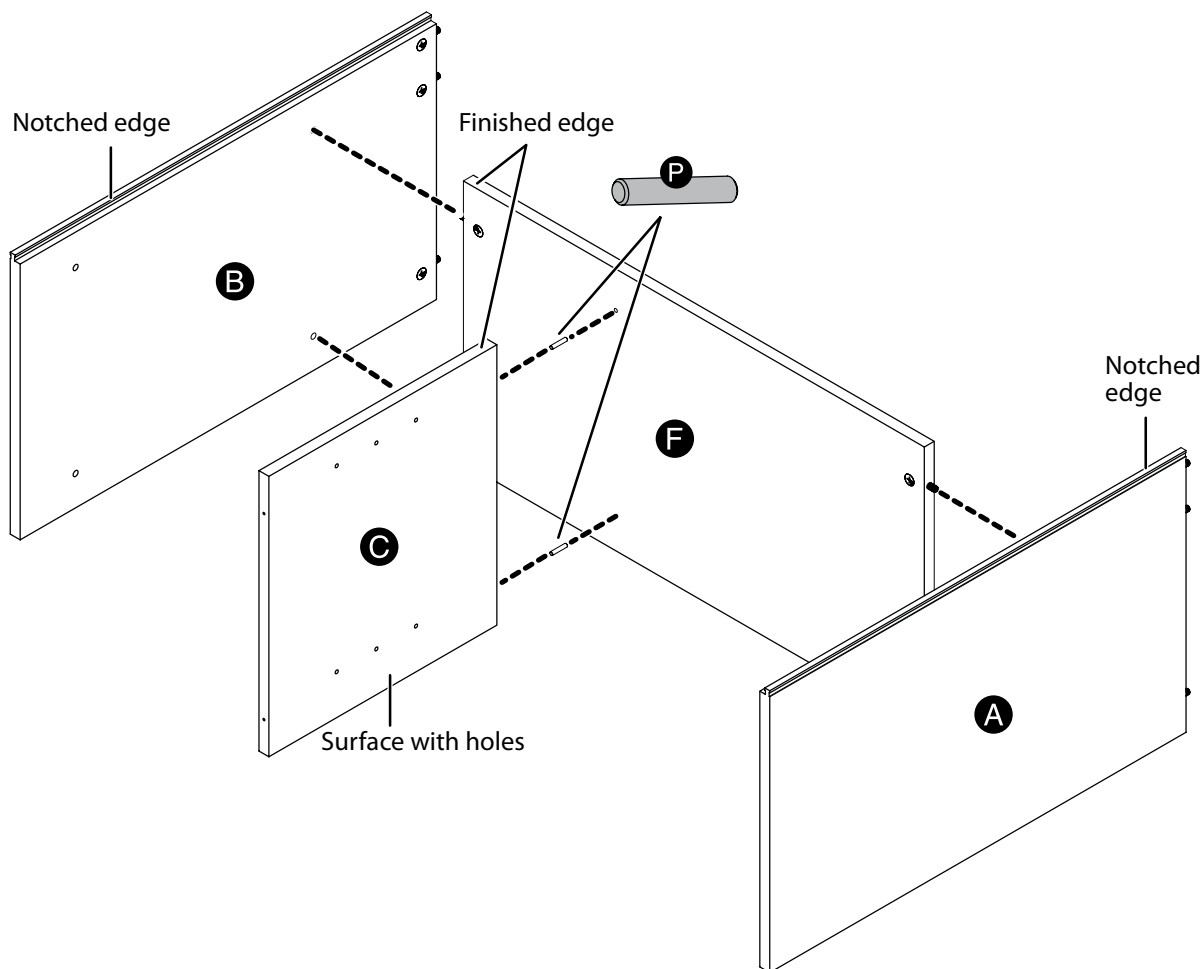
Phillips screwdriver

Need help? Call 800-305-2204

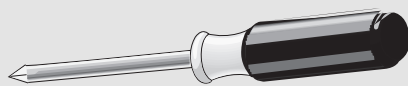
## Step 2:

Fasten the shelf (F) to the ends (A and B). Use a Phillips screwdriver to tighten four hidden cams (M2). See "Tightening hidden cams:" on page 7.

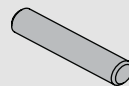
Insert two metal pins (P) into the upright (C), then insert the other ends of metal pins (P) into the holes in the shelf (F).



### You'll need:



Phillips screwdriver



P (2)

Need help? Call 800-305-2204

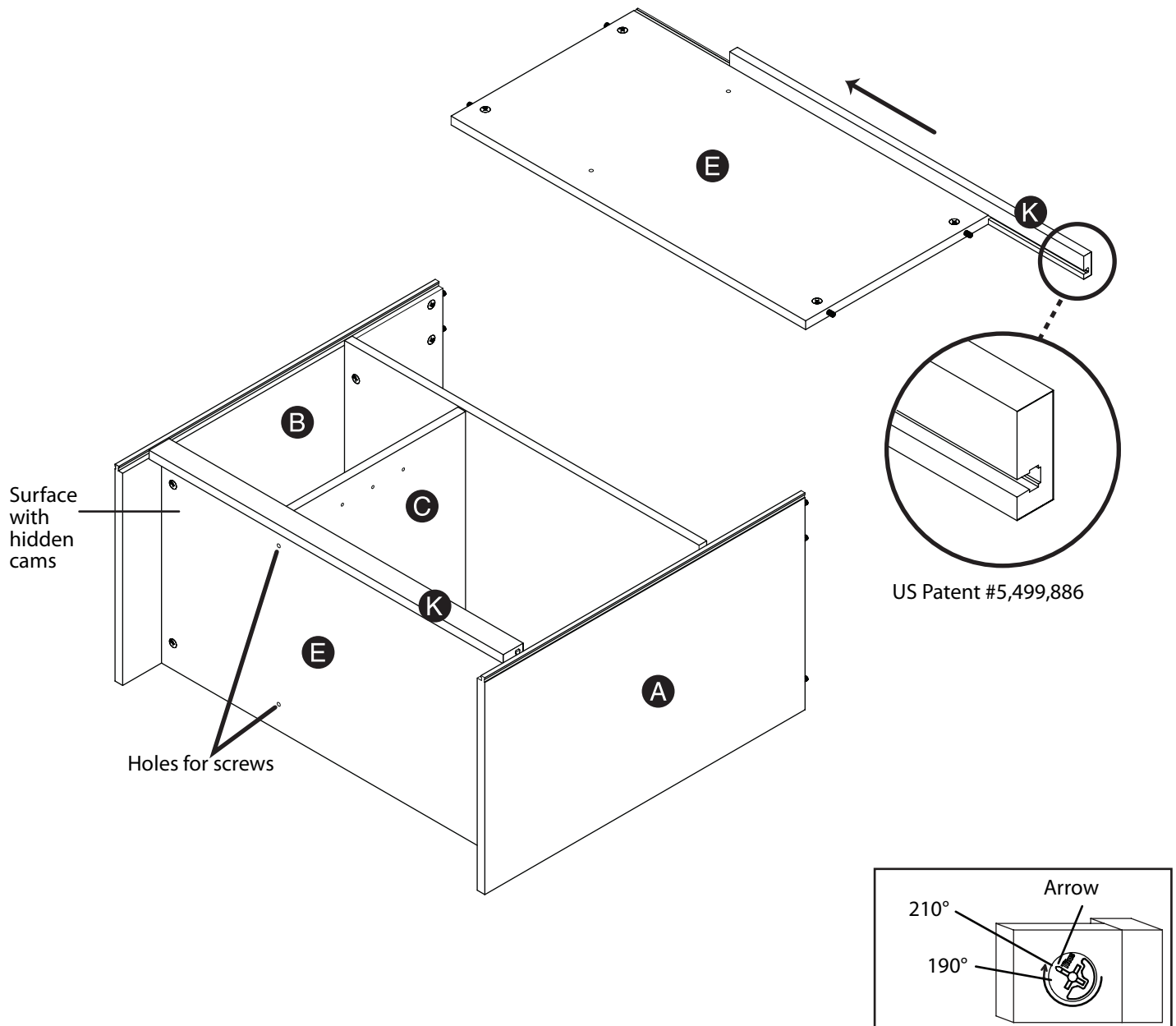


### Step 3:

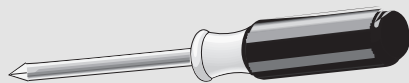
Slide the bottom molding (K) onto the notched edge of the bottom (E).

Fasten the bottom (E) to the ends (A and B). Use a Phillips screwdriver to tighten four hidden cams (M2). See "Tightening hidden cams:" on page 7.

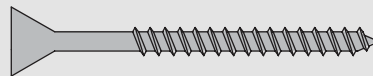
Fasten the bottom (E) to the upright (C). Use a Phillips screwdriver and two black 1-7/8" flat head screws (T).



### You'll need:



Phillips screwdriver



T (2)

Need help? Call 800-305-2204

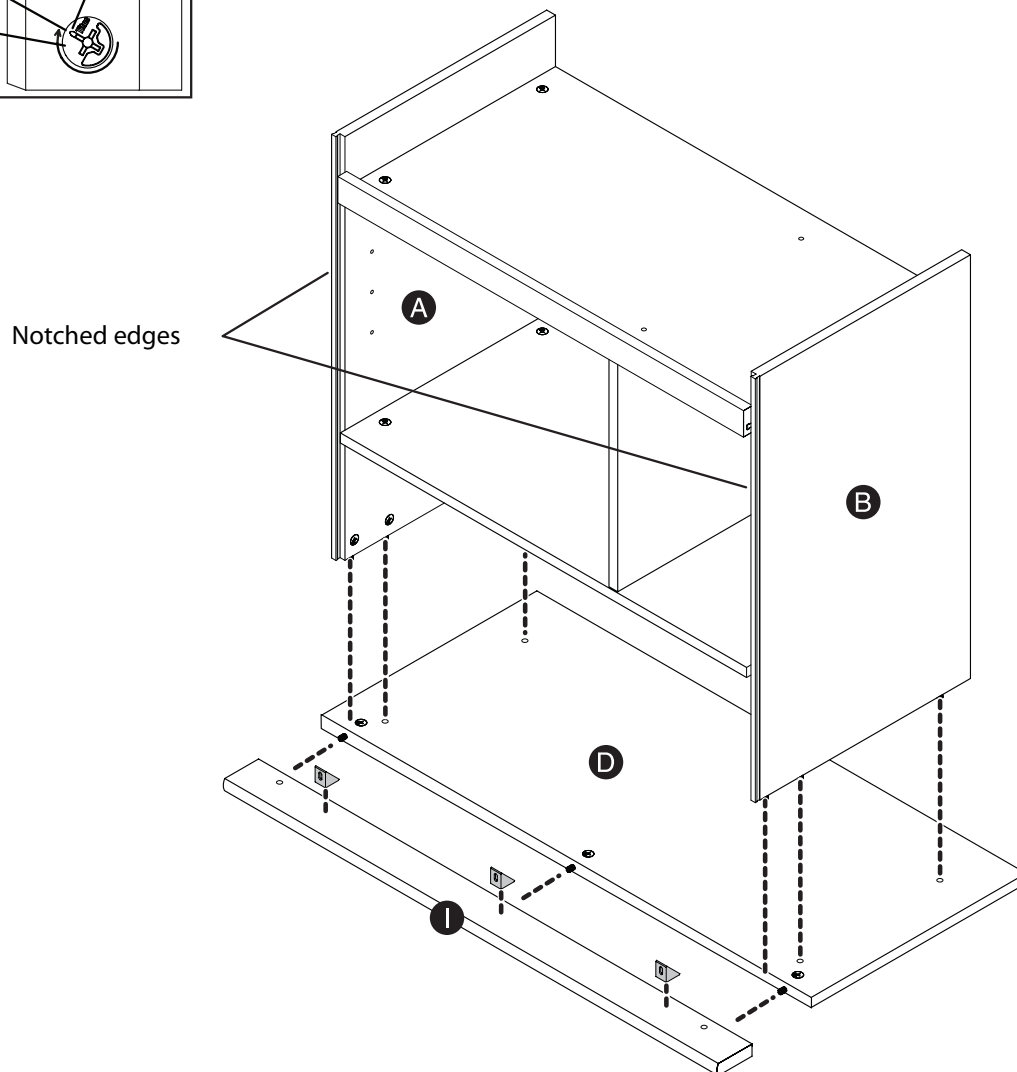
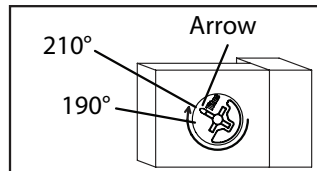
## Step 4:

Fasten three angle brackets (**O**) to the stop molding (**I**). Use a Phillips screwdriver and three black 9/16" large head screws (**U**).

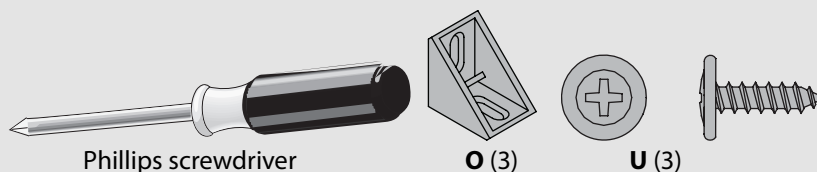
Fasten the stop molding (**I**) to the top (**D**). Use a Phillips screwdriver to tighten three hidden cams (**M2**). See "Tightening hidden cams:" on page 7.

Carefully turn your stand onto its top.

Fasten the ends (**A** and **B**) to the top (**D**). Use a Phillips screwdriver to tighten six hidden cams (**M2**).



### You'll need:



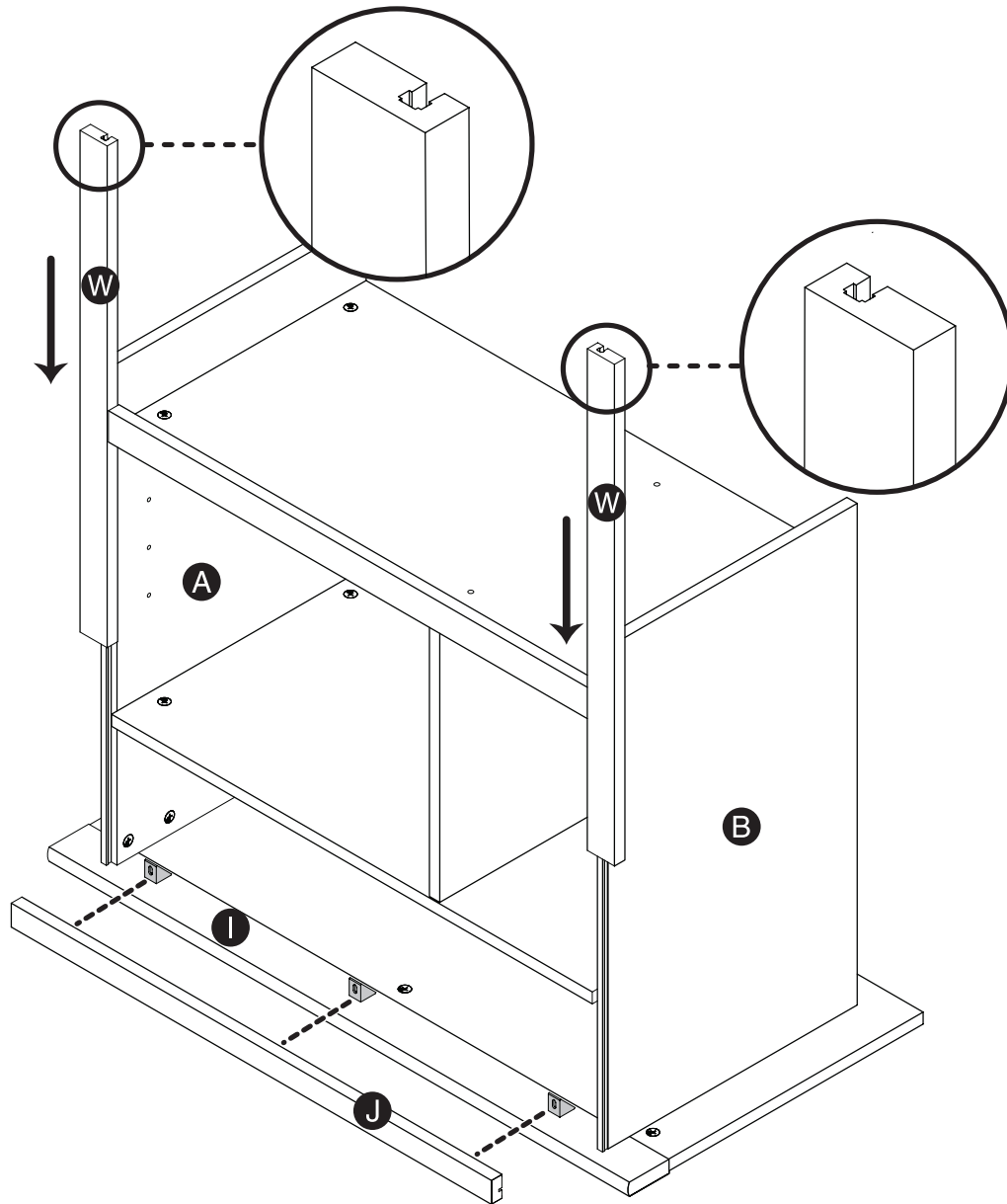
Need help? Call 800-305-2204

## Step 5:

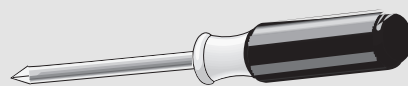
Slide the end moldings (**W**) onto the notched edges of the ends (**A** and **B**).

Fasten the top skirt (**J**) to the angle brackets (**O**) on the stop molding (**I**). Use a Phillips screwdriver and three black 9/16" large head screws (**U**).

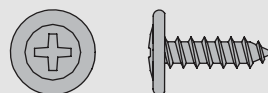
**Note:** There are no pre-drilled holes in the top skirt (**J**). The screws will tighten into the groove.



### You'll need:



Phillips screwdriver



U (3)

Need help? Call 800-305-2204

## Step 6:

Carefully turn your stand over onto its front edges. Unfold the back (**G**) and lay it over your stand.

Make equal margins along the side and bottom edges of the back (**G**). Push on opposite corners of your stand if needed to make it "square."

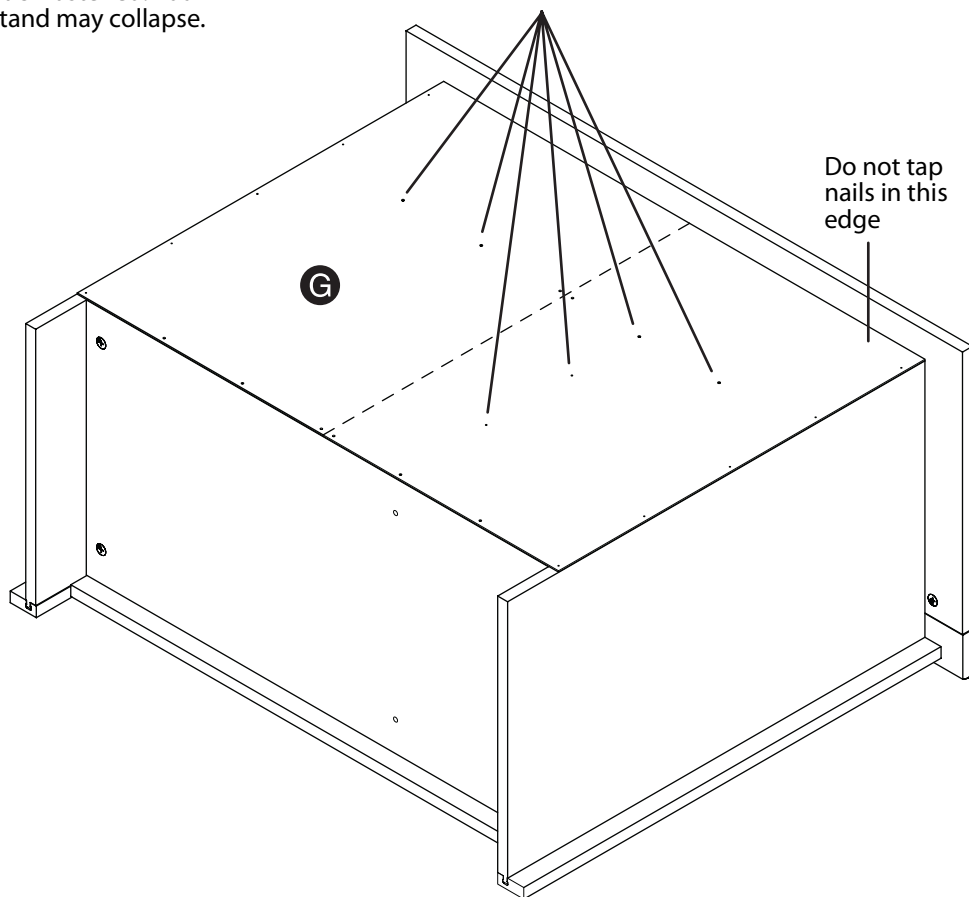
Fasten the back (**G**) to your stand using the nails (**V**).

**Note:** Make sure that you tap nails into the holes that line up over the upright (**C**) and shelf (**F**).

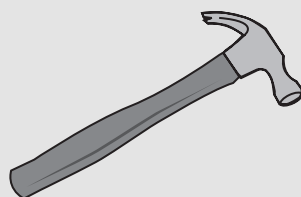
**Note:** Perforations have been provided for access through the back (**G**). Carefully cut out the holes needed.

**Caution:** Do not stand your stand upright without the back fastened. Your stand may collapse.

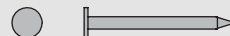
These holes must line up over the back edges on the upright (**C**) and shelf (**F**).



### You'll need:



Hammer



**V** (24)

Need help? Call 800-305-2204

## Step 7:

Carefully stand your stand upright.

Push the rubber sleeves (**Q**) over the remaining metal pins (**P**). Insert the metal pins (**P**) into the hole locations of your choice in the right end (**A**) and upright (**C**). Set the adjustable shelf (**H**) onto the metal pins (**P**).

Apply the warning label (**S**) to the top (**D**). You should be able to read the label when the TV is removed from your stand. When the TV is in place, it should hide the label. Peel off the backing and apply the label as shown.

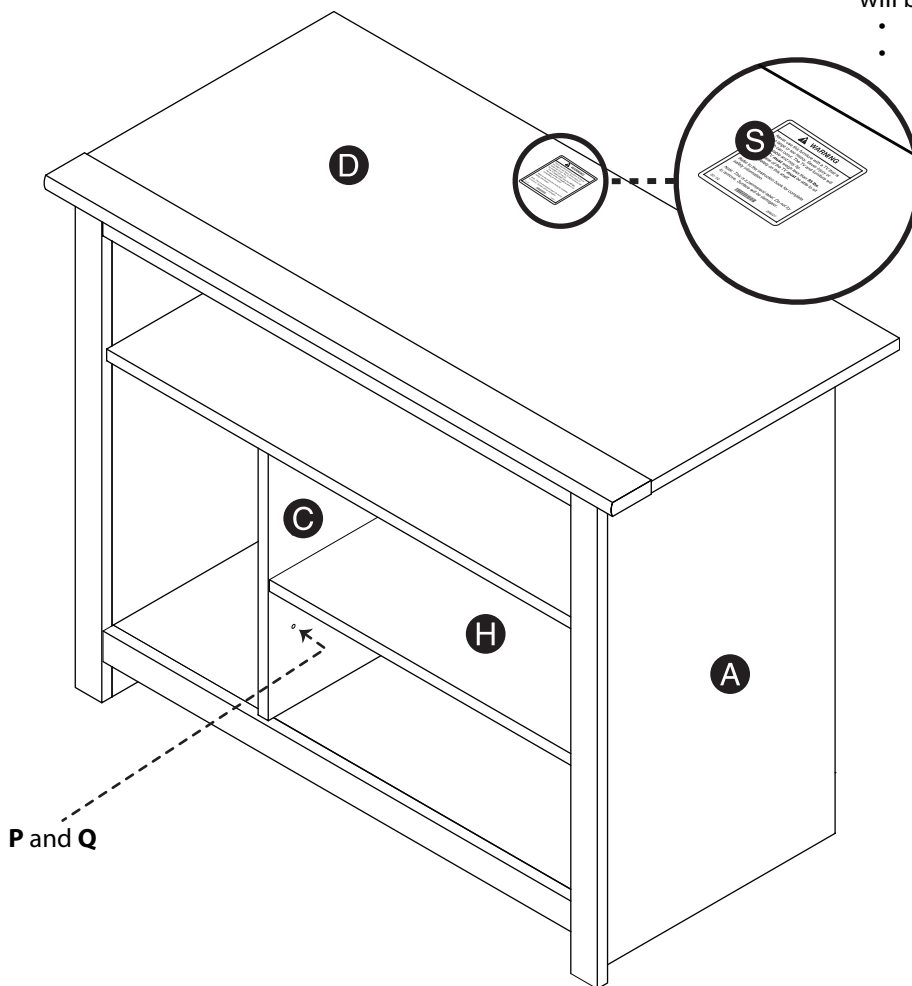
**Caution:** This is a permanent label intended to last for the life of the product. Once applied, do not try to remove it. You may damage the finish on the top.

Push a cam cover (**R**) onto each visible hidden cam (**M2**).

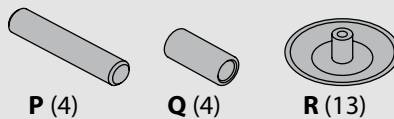
Clean with your favorite furniture polish or a damp cloth. Wipe dry. Your stand is ready to use.

**Warning:** Never use this furniture with a TV that is too large or too heavy. Severe injury or death can occur. The TV and furniture will be unstable and may tip.

- The TV must weigh less than 95 lbs.
- The base of the TV must be able to sit completely on this shelf.



### You'll need:



Need help? Call 800-305-2204

**Still need help?**

For customer service, call: 800-305-2204 (U.S./Canada markets)

Distributed by Best Buy Purchasing, LLC

7601 Penn Avenue South, Richfield, MN USA 55423-3645

© 2012 BBY Solutions, Inc.

All rights reserved. DYNEX is a trademark of BBY Solutions, Inc. Registered in some countries. All other products and brand names are trademarks of their respective owners.

This page intentionally left blank.



#### **Certificate of Conformity**

1. This certificate applies to the Sauder Woodworking Product identified by this instruction booklet.
2. This certificate applies to the compliance of this product with the CPSC Ban on Lead-Containing Paint (16 CFR 1303).
3. This product was manufactured by:  
Sauder Woodworking Company  
502 Middle Street  
Archbold, Ohio 43502  
(419) 446-2711
4. Date of Manufacture: \_\_\_\_\_  
Lot number: 345973

www.dynexproducts.com (800) 305-2204  
Distributed by Best Buy Purchasing, LLC  
7601 Penn Ave. South, Richfield, MN 55423 U.S.A.

© 2012 BBY Solutions, Inc.

All rights reserved.

DYNEX is a trademark of BBY Solutions, Inc. Registered in some countries. All other products and brand names are trademarks of their respective owners.

12-0782  
ENGLISH



## Free Manuals Download Website

<http://myh66.com>

<http://usermanuals.us>

<http://www.somanuals.com>

<http://www.4manuals.cc>

<http://www.manual-lib.com>

<http://www.404manual.com>

<http://www.luxmanual.com>

<http://aubethermostatmanual.com>

Golf course search by state

<http://golfingnear.com>

Email search by domain

<http://emailbydomain.com>

Auto manuals search

<http://auto.somanuals.com>

TV manuals search

<http://tv.somanuals.com>