



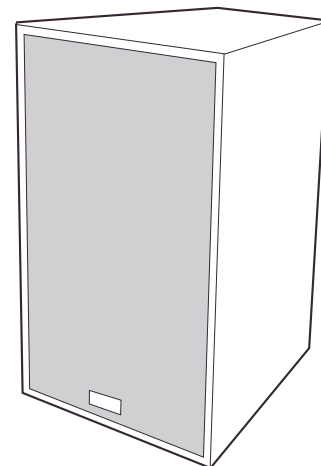
Instructions/Installing the KF850z NL8 and AP6 Upgrade Kits

The KF850z AP6 Upgrade Kit P/N 0006241 and the KF850z NL8 Upgrade Kit P/N 0006242 are available for the KF850e loudspeaker. These two kits are the same but for the Electrical Assemblies.

Warning: Installation should only be done by an experienced technician. Improper installation may result in damage to the equipment, injury or death.

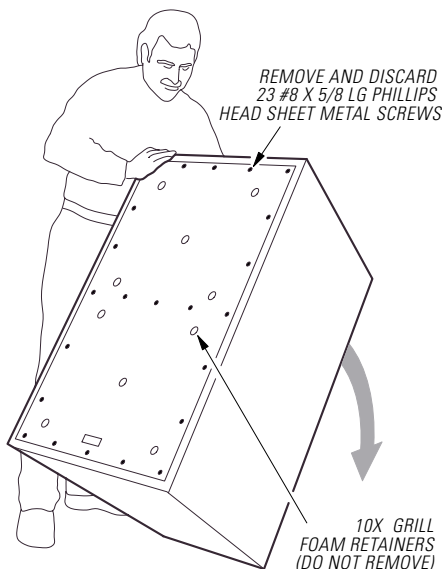
1. **Inventory** the kit against the following bill of materials insuring the kit is complete.

<u>EAW P/N</u>	<u>Qty</u>	<u>Description</u>
804116	1	Driver-Cone (LC-1536)
102021	4	Screw 1/4-20 X 1-1/2 LG SHCS Blk
0005848	1	Horn/URE/H4532
0008726	1	Driver/Compression [DN20/3004-8]
102165	4	Screw /M6 X 14mm LG HHCS
105005	4	Washer/Flat 1/4
105004	8	Washer/Lock 1/4
0006004	2	Bracket/Horn [KF850z Upgrade Kit]
102016	6	Screw 1/4-20 X 1 LG PH PHMS Blk
105007	10	Washer/Flat 1/4 Blk
105008	10	Washer/Lock 1/4 Blk
102017	4	Screw 1/4-20 X1 SHCS Blk
804097	1	Driver-Cone [LC-1075]
0006008	1	Assembly/Phase Plug/Housing
0006005	1	Ring/Aperture/Wood/10" Mid [KF850z]
0006007	4	Screw 1/4-20 X 4-1/2 LG SHCS Blk
105033	4	Washer/Flat/M6
0006011	1	Instruction/Kit/KF850z/Upgrade
102087	4	Screw #8 X 1 LG PH PHSMS
102048	8	Screw #10 X 16 X 3/4 PH PHSMS
102102	23	Screw #8 X 5/8 PH PHSMS Blk
0006239	1	Electrical Assembly KF850z [NL8]
or		
0006240	1	Electrical Assembly KF850z [AP6]



2. Overview

KF850z Kit installation requires the technician to remove and replace all transducer components. The HF horn assembly is accessed from the front and the 15" woofer, 10" mid range, and electrical assembly from the back.



To do this the enclosure will first be rested on its back, the grille removed, and the HF horn assembly disconnected, removed, and disassembled. Its rear bracket will be re-installed into the new KF850z HF horn assembly, which will then be installed into the enclosure.

After this is complete the enclosure should be repositioned onto its front, and the 2 access lids, polyfill, input and crossover removed, the new crossover installed, and its leads routed to the appropriate chambers. Then the new 15" woofer and the new mid assembly will be installed. The old polyfill should be restapled into both chambers and the new electrical assembly installed.

Finally the enclosure will be stood upright, HF leads connected, tested for continuity, and access lids and grille reinstalled.

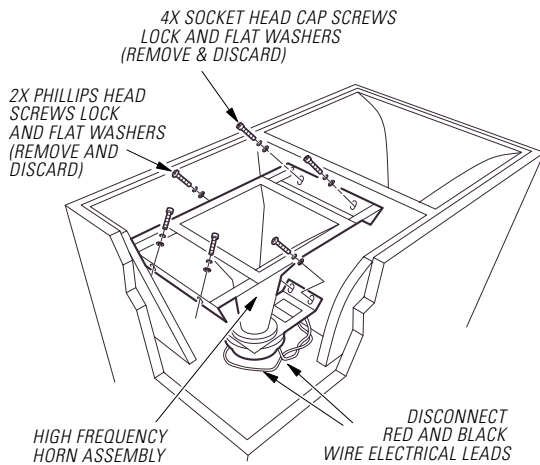
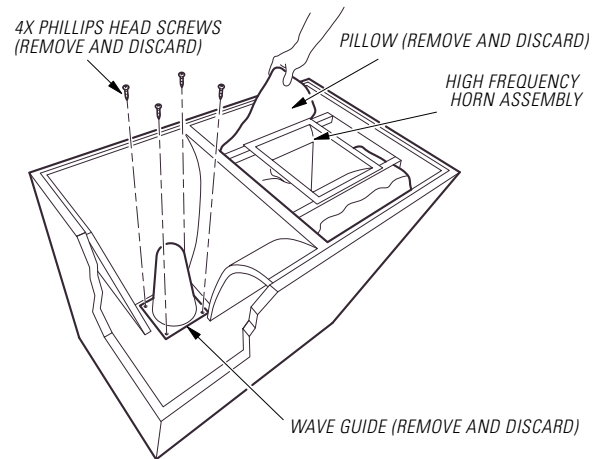
3. **Instructions:** Tip the enclosure on its back and remove the 23 Phillips head screws that mount the grille to the enclosure.

4. Removing the Pillow and Wave Guide

The pillow is beneath the HF horn assembly and held to the side walls of the enclosure by hook-and-loop tape. Tug the sides of the pillow free and lift it out.

The waveguide/grille is attached by 4 Phillips head screws. Remove the screws and remove the waveguide.

The pillow and waveguide will not be reused.

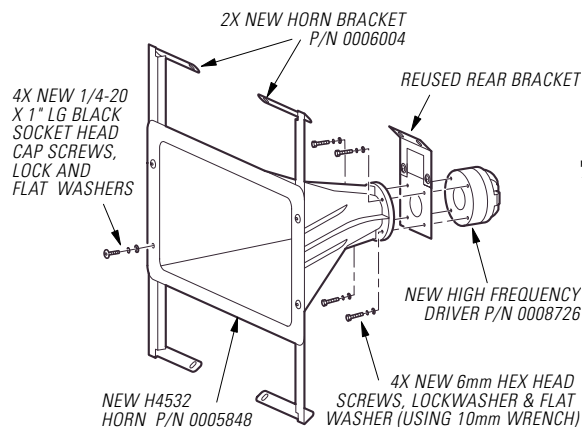
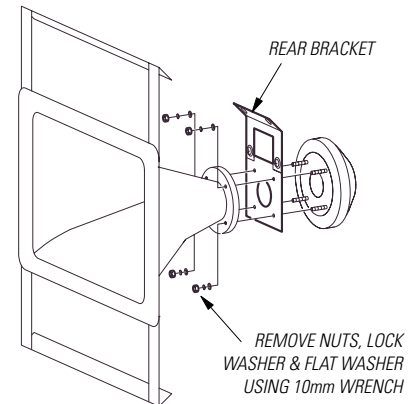


5. Removing the High Frequency Assembly

- Disconnect the two leads.
- Remove and discard the 2 Phillips head screws, lock and flat washers that hold the back bracket to the enclosure.
- Remove and discard the 4 socket head cap screws, lock and flat washers that attach the front metal bracket to the enclosure.
- Lift the HF assembly from the enclosure.

6. Dissassembling the High Frequency Assembly

- Remove the 4 M6 nuts, lock and flat washers.
- Separate the driver from the horn and remove the rear bracket. DO NOT remove the 2 Phillips head screws that hold the two halves of the rear bracket together.
- The HF assembly may be discarded except for the rear bracket.



7. Building up the new the High Frequency Assembly

- Assemble the driver and rear bracket to the round horn flange using the 4 M6 bolts, lock and flat washers.
- Attach the 2 brackets to the front horn flange as shown using 4 black 1/4-20 x 1 lg Phillips head screws, 4 black lock washers and 4 black flat washers.

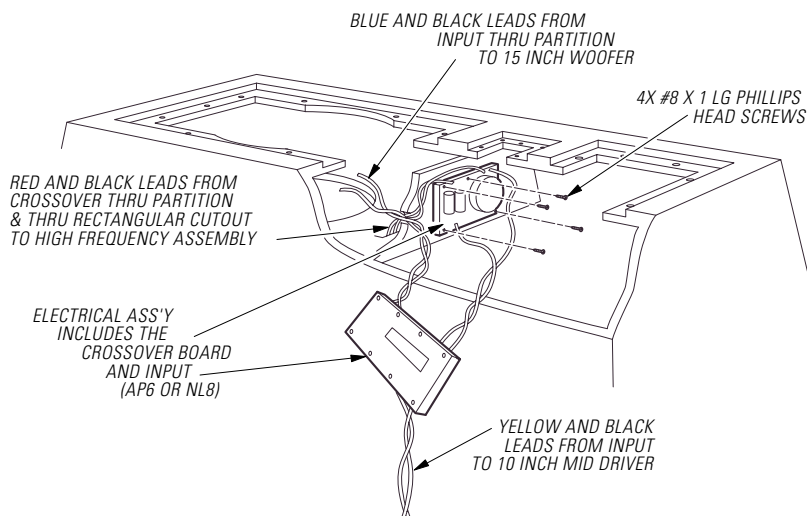
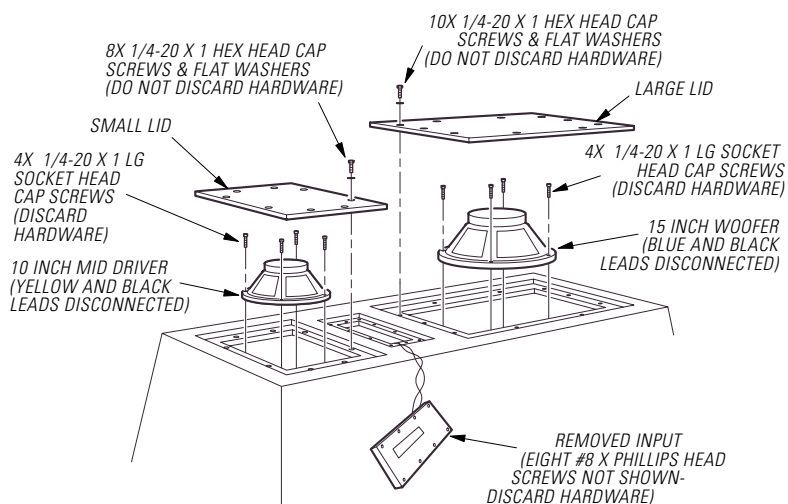
8. Attaching the new the High Frequency Assembly to the Enclosure

- Place the new HF assembly into the enclosure aligning the 4 slots in the front bracket and the 2 slots in the rear bracket with the threaded holes in the HF chamber. Attach the front bracket to the enclosure with 4 black 1/4-20 x 1 lg socket head cap screws, lock and flat washers. Use 2 black 1/4-20 x 1 lg Phillips head screws, lock and flat washers to attach the rear bracket to the enclosure. The 2 electrical leads are attached in Step 12b.

9. Reposition the Enclosure on its face.

With the grille still removed,

- Reposition the enclosure front down.
- Remove the 18 hex head screws and flat washers that attach the two lids.
- Lift the the two lids from the enclosure. Retain the hardware and lids.
- Remove all the polyfill fiber that surrounds the 10" and 15" drivers. Retain the polyfill.
- Disconnect the 2 electrical leads from both drivers.
- Remove the 8 socket head screws that hold both drivers into the enclosure and lift the drivers away. Do not retain hardware or drivers.
- Remove and discard the 8 input Phillips head mounting screws and dangle the input to the side of the enclosure as shown.
- Free the electrical leads that pass thru partitions inside the enclosure.
- Remove and discard the 4 crossover mounting screws and lift the electrical assembly from the enclosure.

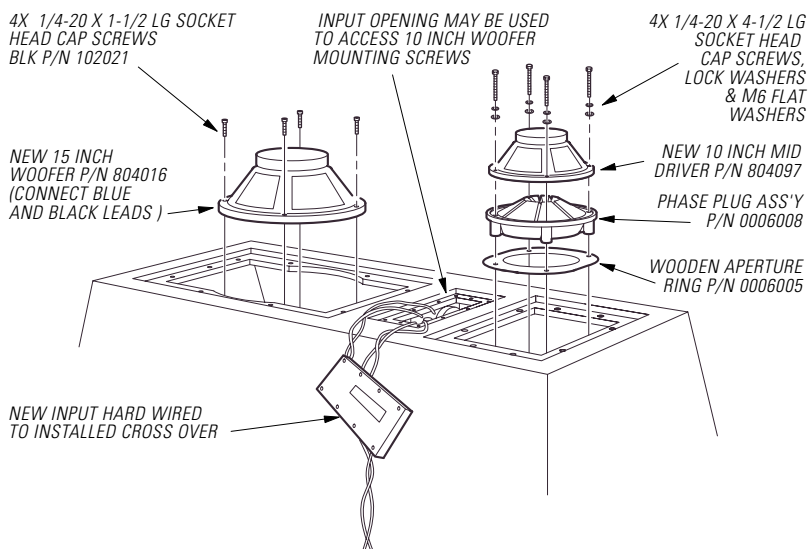


10. Installing the new Electrical Assembly

- Attach the new crossover as shown with the 4 supplied #8 x 1" long Phillips head screws.
- Insert the blue and black leads from the input board thru the partition into the 15" woofer chamber.
- Insert the red and black leads from the crossover board, thru the partition, down thru the rectangular hole into the HF chamber.
- Seal the hole in the partition with user supplied putty or silicone.

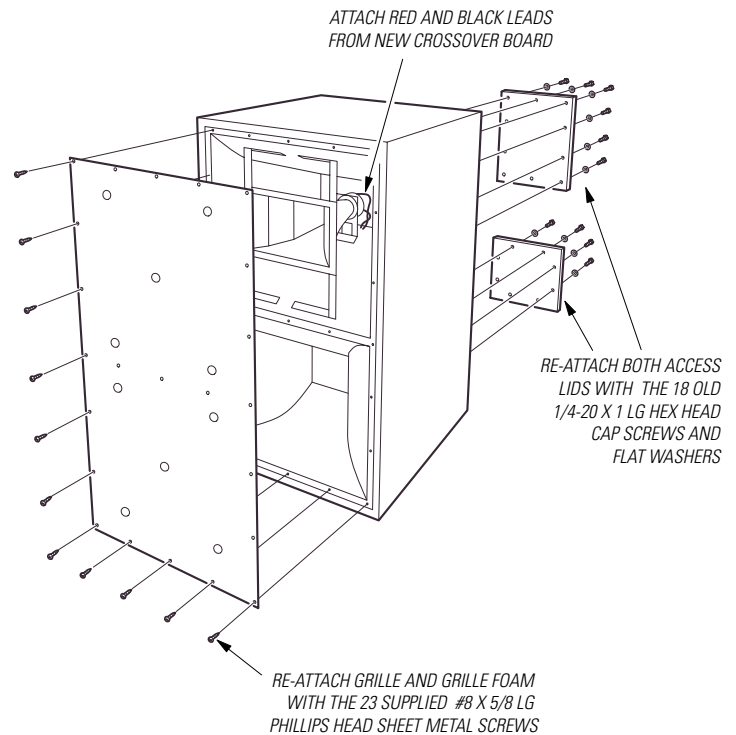
11. Installing the new Mid Driver and Woofer

- Place the wooden aperture and new phase plug into the mid chamber.
- Position the new 10" driver onto the phase plug.
- Insert the 4 supplied 4-1/2 lg screws, lock washers and M6 flat washers thru the driver, phase plug and aperture into the threaded holes in the baffle and tighten.
- Install the input with the 8 supplied #10 Phillips head screws.
- Connect the yellow and black leads from the input board to the 10" mid driver. The black lead to the black terminal.
- Attach the new 15" woofer using 4 supplied 1/4-20 x 1-1/2 long screws.
- Connect the blue and black leads from the input board to the 15" woofer. The black lead to the black terminal.
- Restaple the polyfill into both chambers.



12. Finishing the Kit Installation

- a. Stand the enclosure upright.
- b. Connect the red and black leads to the high frequency driver. The black lead to the black terminal.
- c. Continuity check the low frequency, mid and high frequency drivers.
- g. Re-attach the two access lids.
- h. Re-attach the grille.



If you have questions about the KF850z kit installation please contact the EAW Application Support Group:

Tel 800-992-5013 (USA only)

Tel 508-234-6158

Fax 508-234-8251

E-mail asg@eaw.com

**Thank you for purchasing
EAW products**

The Laws of Physics | The Art of Listening

EAW

One Main Street, Whitinsville, MA 01588 tel 800 992 5013 / 508 234 6158 fax 508 234 8251 web www.eaw.com

EAW P/N 0006011 (A) 6NOV03 EAW is the worldwide technological and market leader in the design and manufacture of high-performance, professional loudspeaker systems.

Free Manuals Download Website

<http://myh66.com>

<http://usermanuals.us>

<http://www.somanuals.com>

<http://www.4manuals.cc>

<http://www.manual-lib.com>

<http://www.404manual.com>

<http://www.luxmanual.com>

<http://aubethermostatmanual.com>

Golf course search by state

<http://golfingnear.com>

Email search by domain

<http://emailbydomain.com>

Auto manuals search

<http://auto.somanuals.com>

TV manuals search

<http://tv.somanuals.com>