

APPLICATION

- For medium-sized theaters
- Bi-amplified 3-way screen channel loudspeaker

PRODUCT INFORMATION

The CB523MX full-range screen channel loudspeaker system offers medium-sized theaters a cost-effective entry to the future of cinema audio - three way loudspeaker design. Its passive mid/high design lets it replace existing bi-amped two-way systems without requiring new electronic crossovers or amplifiers. (Electronic crossovers may require adjustment.)

Three-way design dramatically advances cinema audio quality by improving the naturalness and intelligibility of dialog, eliminating distortion from excessive driver excursion and extending pattern control into the lower octaves.

The two component system includes a BV253C dual 15-in low frequency enclosure and an HK523MX mid/high section.

The low frequency enclosure uses optimally tuned enclosure venting to increase LF response while limiting driver excursion. This method produces less distortion and minimizes driver strain while extending LF response to the lowest octaves. The enclosure's shallow dimension allows convenient placement behind the screen.

The HK523MX MF/HF section features a horn-loaded 10-in cone and a high power 1.4-in exit compression driver loaded with a 90°x45° coverage pattern constant directivity horn.

The adjustable steel bracket attaching the mid/high section to the LF enclosure can be positioned at one of three mounting points for optimum front/rear placement. The bracket allows the mid/high section to be aimed independently of the LF section in both the horizontal and vertical planes and can be locked once it is positioned.

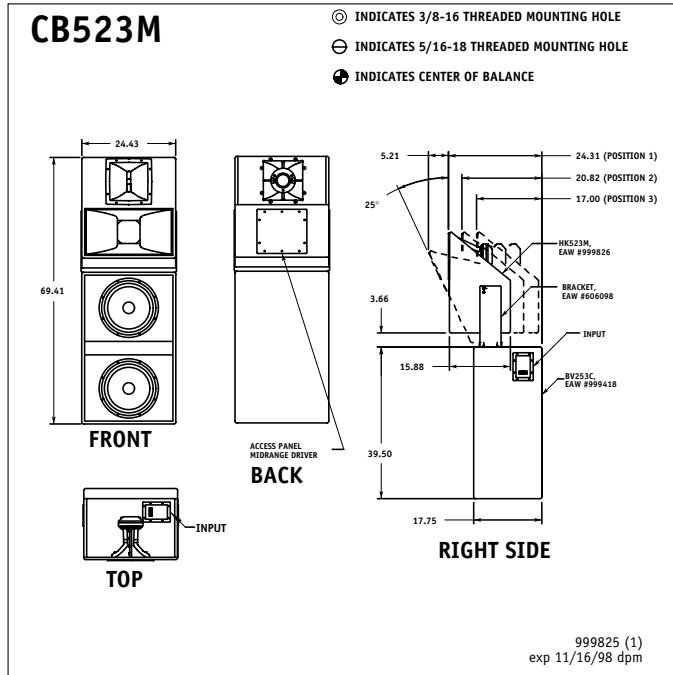
The HK523MX's mid and high frequency sections are integrated via a complex passive crossover/filter network. EAW's computer-designed passive filter networks are tightly aligned to the loudspeakers they control and go beyond merely dividing the signal, performing critical equalization functions.

Two-terminal barrier strip input connectors that accommodate bare wire, tinned leads or spade lugs are included for both the LF and mid/high sections. The input panels are located on the sides and top of the enclosures for convenient access in cramped installation areas.



DESCRIPTIVE DATA

Part Number	997131	
LF Subsystem & Loading	2x15-in vented	
MF Subsystem & Loading	1x10-in horn-loaded	
HF Subsystem & Loading	1x1.4-in exit compression driver on CD horn	
Configuration	3-way, full fange	
Powering Mode	Bi-amplified	
Recommended Crossover	350 Hz EAW CX300-CB523MX	
Cabinet Type (shape)	Rectangular	
Enclosure Materials	LF-3/4-in Medium Density Fiberboard 15 mm birch plywood baffle-MF/HF-MDF	
Finish	Textured black	
Connectors	2x2-terminal barrier strip	
Dimensions	inches	millimeters
	Height	69.41 1763.0
	Width	24.80 630.0
	Depth	17.75 451.0
Weights	pounds	kilograms
	Net Weight	215 97.5
	Shipping Weight	230 104.3



COMPONENTS & CONSTRUCTION

The CB523MX is a bi-amplified (passive mid/high) three-way, high output, full range loudspeaker system intended for use in behind screen cinema applications. The two component system includes a BV253C dual 15-in low frequency enclosure and an HK523MX mid/high system.

The system requires the use of an external active electronic crossover between the LF and mid/high sections with a maximum recommended crossover point of 350 Hz. The mid/high component includes an internal passive crossover/filter network with the crossover set at 1.8 kHz integrated via a complex passive crossover/filter network. EAW's computer-designed passive filter networks are tightly aligned to the loudspeakers they control and go beyond merely dividing the signal, performing critical equalization functions.

The BV253C low frequency component features dual 15-in woofers mounted in a vented enclosure for excellent bass extension and high output level capability.

COMPONENTS & CONSTRUCTION continued

The HK523MX mid/high component features a horn-loaded 10-in midrange driver and a 1.4-in exit compression driver mounted to a medium format 90°x45° constant directivity horn.

Input connectors for both the LF and mid/high components are 2-terminal barrier strips that accommodate bare wire, tinned leads or spade lugs. A pre-installed "jumper cable" continues the signal chain to the HF section.

The LF cabinet is constructed of 3/4-in Medium Density Fiberboard (MDF). The HK523MX mid/high section is constructed of 3/4-in MDF with the exception of the mid frequency flare which is void-free, 18-ply-to-the-inch, Baltic birch plywood backed with high density polyurethane foam. Both sections are coated with a non-reflective, textured black finish and the HF horn is constructed of flat black structural foam plastic.

All external components feature a non-reflective, textured black finish to eliminate the reflection of light through perforated cinema screens.

NOMINAL DATA

Frequency Response

+3 dB 42 Hz - 19 kHz

Axial Sensitivity (dB SPL, 1 Watt @ 1m)

LF 101
Passive MF/HF 105

Impedance (Ohms)

LF 4
Passive MF/HF 8

Power Handling, (Watts)

LF 1000
Passive MF/HF 350

Calculated Maximum Output (dB SPL @ 1m)

LF Peak 137.0
Passive MF/HF Peak 136.6
LF Long Term 131.0
Passive MF/HF Long Term 130.6

Nominal Coverage Angle/-6 dB points (degrees)

Horizontal 90
Vertical 45

Free Manuals Download Website

<http://myh66.com>

<http://usermanuals.us>

<http://www.somanuals.com>

<http://www.4manuals.cc>

<http://www.manual-lib.com>

<http://www.404manual.com>

<http://www.luxmanual.com>

<http://aubethermostatmanual.com>

Golf course search by state

<http://golfingnear.com>

Email search by domain

<http://emailbydomain.com>

Auto manuals search

<http://auto.somanuals.com>

TV manuals search

<http://tv.somanuals.com>