



SPECIFICATIONS FR129z

FEATURES

- Entry-level access to truly professional loudspeaker systems
- 12-in woofer in optimally vented enclosure, 1-in HF on 90° horn
- Handles, rubber footpads, threaded mounting points and pole mount cup standard
- Works with FR250z subwoofer/pole mount base to create an instant PA

DESCRIPTION

A 2-way full range system (passive LF/HF crossover) in a compact vented trapezoidal enclosure. It incorporates a 12-in woofer and a 1-in exit/2-in voice coil compression driver mounted on a 90° x 45° constant directivity horn. Designed primarily for portable applications, the FR129z offers entry-level access to high quality, truly professional loudspeaker systems for musicians and DJ's servicing small to medium venues.

The system's full range passive powering is accomplished via EAW's internal passive crossover/filter network. This complex design goes beyond merely dividing the signal by performing critical equalization functions.

APPLICATIONS

The FR129ze provides high output full range response in a versatile, compact system. Effective for both permanent and portable applications, it comes with handles, rubber footpads, a pole mount cup and three (3) 3/8"-16 threaded mounting/suspension points.

The FR129z is optimized for use with the FR250z dual 15-in subwoofer system which also serves as a pole mount base. In such a configuration, a standard 5-ft mounting pole positions the FR129z's HF horn above the heads of audience members for maximum coverage. Six Year Warranty.

Application include:

- Band PA
- Ballroom Events
- Small HOW's
- Dance Clubs
- Live Music Clubs



PERFORMANCE

Frequency Response (1 W @ 1m)

±3 dB	80 Hz to 18 kHz
-10 dB	60 Hz

Axial Sensitivity (dB SPL, 1 Watt @ 1m)

Full Range	97
------------	----

Impedance (Ohms)

Full Range	8
------------	---

Power Handling, AES Standard (Watts)

Full Range	500
------------	-----

Calculated Maximum Output (dB SPL)

Full Range Peak	130.0
Full Range Long Term	124.0

Nominal Coverage Angle, -6 dB Points (degrees)

Horizontal	90
Vertical	45

Recommended High-Pass Frequency

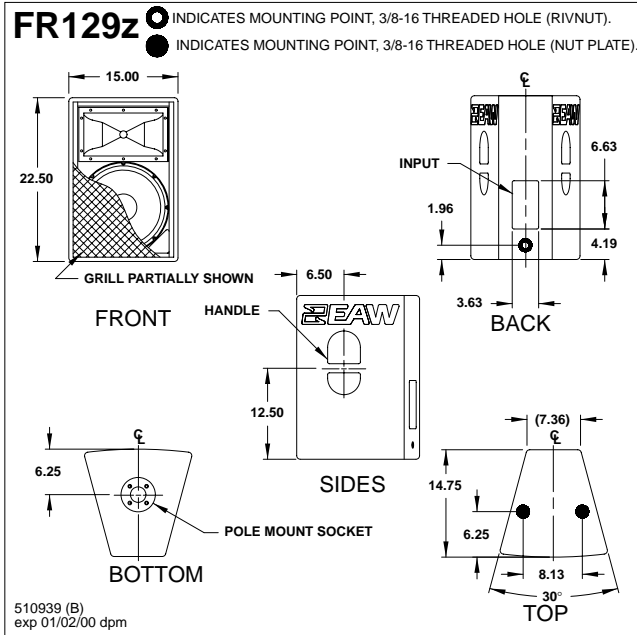
24 dB/Octave	60
--------------	----





SPECIFICATIONS FR129z

DIMENSIONAL DRAWING



PHYSICAL

Configuration	2-way, full range	
Powering	Passive LF/HF crossover	
LF Subsystem	1x12-in woofer, vented	
HF Subsystem	1x 1-in exit/2-in voice coil compression driver on constant directivity horn	
Cabinet Type (shape)	Trapezoidal	
Enclosure Materials	Baltic birch plywood	
Finish	Black catalyzed polyurethane	
Connectors	2x Neutrik NL4 Speakon	
Suspension Hardware	(3) 3/8-16 threaded mounting points (2 top, 1 back), pole mount cup	
Grille	Powder coated perforated steel	
Dimensions	Inches	Millimeters
Height	22.50	572
Width (front)	15.00	381
Width (rear)	7.36	187
Depth	14.75	375
Trapezoid Angle	15° per Side	
Weights	Pounds	Kilograms
Net Weight	46	20.9
Shipping Weight	49	22.3
Companion Systems		
Sub Bass	FR250z	

A & E SPECIFICATIONS

The 2-way full range loudspeaker systems shall incorporate a 12-in LF transducer and a 1-in exit/2-in voice coil compression driver HF transducer.

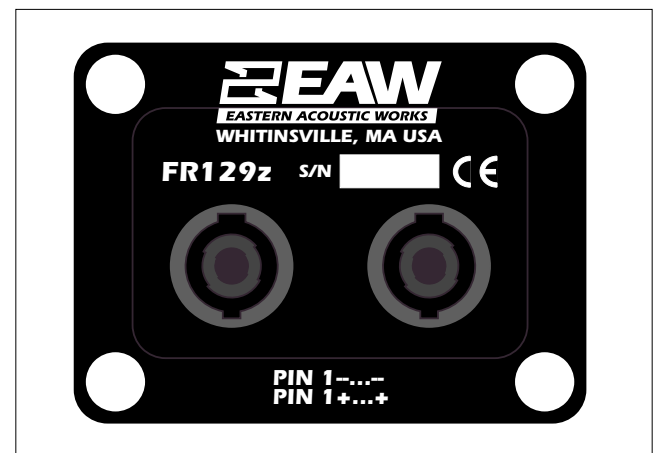
The LF driver shall be mounted in a vented enclosure tuned for optimum low frequency response. The HF driver shall be loaded with a constant directivity horn with a nominal coverage pattern of 90 (h) x 45° (v). An internal passive filter network shall provide fourth order acoustical crossover and system equalization.

System frequency response shall vary no more than ± 3 dB from 80 Hz to 18 kHz measured on axis. The loudspeaker shall produce a Sound Pressure Level (SPL) of 97 dB SPL on axis at 1 meter with a power input of 1 Watt, and shall be capable of producing a peak output of 130 dB SPL on axis at 1 meter. The loudspeaker shall handle 500 Watts of amplifier power (AES Standard) and shall have a nominal impedance of 8 Ohms.

The loudspeaker enclosure shall be trapezoidal in shape. It shall be constructed of 1/2-in thickness void-free cross-grain-laminated Baltic birch plywood and shall be finished in black polyurethane. Recessed handles and rubber footpads shall be provided. Input connectors shall be dual Neutrik NL4 Speakon. Three 3/8"-16 threaded mounting points shall be provided (2 on top, 1 on back) as well as recessed cup to accept a standmount pole. The front of the loudspeaker shall be covered with a powder coated perforated steel grille.

The 2-way full range loudspeaker shall be the EAW model FR129z.

INPUT PLATE



Free Manuals Download Website

<http://myh66.com>

<http://usermanuals.us>

<http://www.somanuals.com>

<http://www.4manuals.cc>

<http://www.manual-lib.com>

<http://www.404manual.com>

<http://www.luxmanual.com>

<http://aubethermostatmanual.com>

Golf course search by state

<http://golfingnear.com>

Email search by domain

<http://emailbydomain.com>

Auto manuals search

<http://auto.somanuals.com>

TV manuals search

<http://tv.somanuals.com>