



SPECIFICATIONS JFX100

FEATURES

- Compact yet fully outfitted for demanding professional use
- HF compression driver and vented LF for fully professional performance
- Wave Guide Plate™ optimizes HF pattern for near field applications
- Asymmetric enclosure provides multiple mounting angles
- Pole mount cup & fly track plus U-bracket & Omnimount® Series 100 or similar mounting points
- Passive crossover for easy operation and economical powering

DESCRIPTION

The JFX100 is a 2-way compact multi-purpose loudspeaker. Its multi-functional design adds considerably to its value as a full-range loudspeaker. Combining high output and natural reproduction, it is specifically outfitted to serve in a variety of both portable and permanent applications. The asymmetric enclosure provides typical angles needed for ceiling and wall mounting as well as for stage monitor operation. For permanent installation, enclosure hardware includes mounting points for an optional U-bracket, an Omnimount® Series 100 or similar bracket, and fly track for suspension. Provisions for portable use include a pole mount cup, fly track for rigging, and a handle integral to the rear of the enclosure that facilitates handling and transport. The JFX100 is particularly suitable as a nearfield main loudspeaker or as a fill/delay element in larger systems. Its wide angle projection makes audience coverage easy. While the JFX100 is well suited as is for many applications, the addition of a subwoofer expands its capabilities for more demanding applications such as for smaller houses of worship, theaters, and band PA. Six year warranty.

APPLICATION

- Portable systems or permanent installations
- Wall and ceiling mountings
- Low profile appearance
- Main PA reinforcement in small- to medium-sized spaces
- Downfill for flown clusters
- High SPL under balcony / stage lip / delay fill
- A/V and/or surround sound installations
- Voice & F/X reinforcement in themed attractions

PERFORMANCE

Frequency Response (1 W @ 1 m)	
±3 dB	90 Hz to 16 kHz
-10 dB	70 Hz
Axial Sensitivity (dB SPL, 1 W @ 1 m)	
Full Range	96
Impedance (Ohms)	
Full Range	8
Power Handling (Watts, continuous)	
Full Range	300



Calculated Maximum Output (dB SPL @ 1 m)	
Full Range Peak	127
Full Range Long Term	121
Nominal Coverage Angle / -6 dB points (degrees)	
Conical	100

PHYSICAL

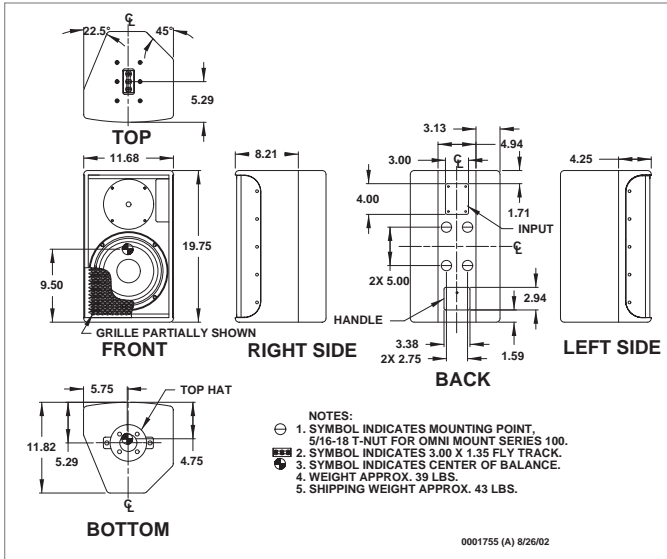
Part Number	0001751	
Configuration	2-way, full-range	
Powering	Passive LF/HF crossover	
LF Subsystem	1x 10-in, vented	
HF Subsystem	1x 1-in exit/1.75-in voice coil neodymium compression driver on Wave Guide Plate™	
Recommended High-Pass Frequency (24 dB/octave)	70 Hz	
Enclosure Materials	Exterior grade Baltic birch plywood	
Finish	Wear resistant textured black paint	
Connectors	2x Neutrik NL4 Speakon	
Hardware	Pole mount cup (bottom); 1x 3-position fly track with integral 3/8"-16 threaded mounting/suspension point (top); 4x 5/16"-18 threaded mounting points for Omnimount Series 100 (rear); 1x pull back ring (rear)	
Grille	Powder coated perforated steel, foam backed	
Dimensions	inches	millimeters
Height	19.75	502
Width(front)	11.68	297
Width (rear)	4.94	125
Depth	11.82	300
Weights	pounds	kilograms
Net Weight	39	17.7
Shipping Weight	43	19.5





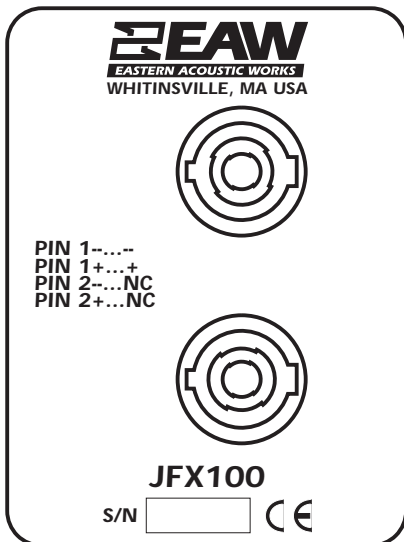
SPECIFICATIONS JFX100

DIMENSIONAL DRAWING



Manufacturing tolerances are +/- 0.13 and +/- 1°

INPUT PANEL



A & E SPECIFICATIONS

The 2-way full-range loudspeaker shall incorporate a 10-in LF cone and a 1.75-in voice coil neodymium HF compression driver. The LF cone shall be mounted in a vented enclosure tuned for optimum low frequency response. The HF driver shall be loaded on an axis-symmetrical, 1-in exit Wave Guide Plate™ with a nominal conical beamwidth of 100 degrees. An internal passive filter network shall provide all acoustical crossover and system equalization requirements.

System frequency response shall vary no more than ± 3 dB from 90 Hz to 16 kHz measured on axis. The loudspeaker shall produce a sound pressure level of 96 dB SPL on axis at 1 meter with a power input of 1 watt, and shall be capable of producing a peak output of 127 dB SPL on axis at 1 meter. It shall handle 300 watts of amplifier power and shall have a nominal impedance of 8 ohms.

The loudspeaker enclosure shall be irregularly trapezoidal in shape. It shall be constructed of exterior grade Baltic birch plywood and shall employ extensive internal bracing. It shall be finished in wear-resistant textured black paint. Input connectors shall be 2x Neutrik NL4 Speakon wired in parallel. It shall include a pole mount cup and a handle integral to the rear of the enclosure. One 3-postion fly track with an integral 3/8"-16 threaded mounting/suspension point shall be provided on the top of the enclosure. Four 5/16"-18 threaded mounting points for use with an Omnimount® Series 100 (or similar) and a pull-back ring shall be provided on the rear of the enclosure. The front of the loudspeaker shall be covered with a foam backed, powder coated perforated steel grille.

The 2-way full-range loudspeaker shall be the EAW model JFX100.



Free Manuals Download Website

<http://myh66.com>

<http://usermanuals.us>

<http://www.somanuals.com>

<http://www.4manuals.cc>

<http://www.manual-lib.com>

<http://www.404manual.com>

<http://www.luxmanual.com>

<http://aubethermostatmanual.com>

Golf course search by state

<http://golfingnear.com>

Email search by domain

<http://emailbydomain.com>

Auto manuals search

<http://auto.somanuals.com>

TV manuals search

<http://tv.somanuals.com>