



SPECIFICATIONS JFX200

FEATURES

- Ideal size and performance for rigorous all-purpose use
- Wave Guide Plate™ optimizes HF pattern for near field applications
- HF compression driver and vented LF for fully professional performance
- Asymmetric enclosure provides multiple mounting angles
- Pole mount cup & fly track, plus Omnimount® Series 300 or similar mounting points
- Passive or bi-amplified operating modes

DESCRIPTION

The JFX200 is a 2-way multi-purpose loudspeaker. Its multi-functional design adds considerably to its value as a full-range loudspeaker. Combining high output and natural reproduction, it is specifically outfitted to serve in a variety of both portable and permanent applications. The asymmetric enclosure provides typical angles needed for ceiling and wall mounting as well as for stage monitor operation. For permanent installation, enclosure hardware includes mounting points for an Omnimount® Series 300 or similar bracket and fly track for suspension. Provisions for portable use include a pole mount cup, top/bottom fly track for rigging, and handles integral to the enclosure that facilitate handling and transport. The JFX200 is particularly suitable as a nearer field main loudspeaker or as a fill/delay element in larger systems. Its wide angle projection makes audience coverage easy in a variety of situations. While the JFX200 is well suited as is for many applications, the addition of a subwoofer expands its capabilities for more demanding applications such as for houses of worship, theaters, and band PA. Six year warranty.

APPLICATION

- Portable systems or permanent installations
- Wall and ceiling mountings
- Ideal size and output for wide range of program material
- Main PA reinforcement in medium-sized spaces
- Downfill for flown clusters
- High SPL under balcony / stage lip / delay fill
- A/V and/or surround sound installations
- Voice & F/X reinforcement in themed attractions

PERFORMANCE

Frequency Response (1 W @ 1 m)	
±3 dB	90 Hz to 16 kHz
-10 dB	60 Hz
Axial Sensitivity (dB SPL, 1 W @ 1 m)	
Full Range	97
LF	97
HF	104
Impedance (Ohms)	
Full Range	8
LF	8
HF	8



Power Handling (Watts, continuous)	
Full Range	500
LF	500
HF	200
Calculated Maximum Output (dB SPL @ 1 m)	
Full Range Peak	130
LF/HF Peak	130/133
Full Range Long Term	124
LF/HF Long Term	124/127
Nominal Coverage Angle / -6 dB points (degrees)	
Conical	90

PHYSICAL

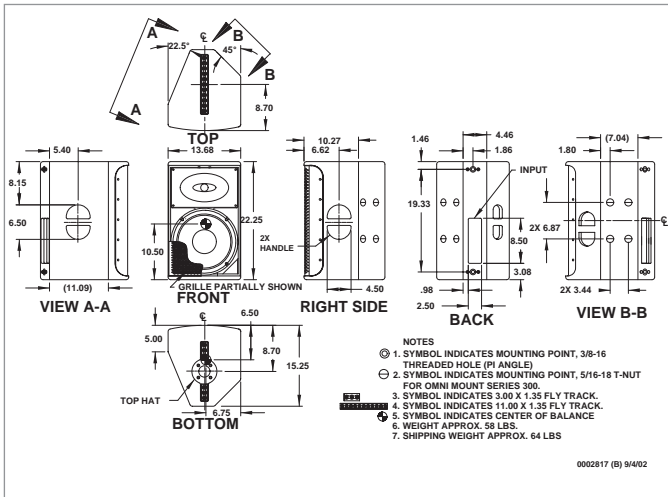
Part Number	0002816
System Configuration	2-way, full-range
Powering	Switchable: Passive (LF/HF crossover) or bi-amplified
LF Subsystem	1x 12-in, vented
HF Subsystem	1x 1.4-in exit/3-in voice coil neodymium compression driver on Wave Guide Plate™
Controls (switches, knobs)	Powering mode switch
Recommended High-Pass Frequency (24 dB/octave)	60 Hz
Enclosure Materials	Exterior grade Baltic birch plywood
Finish	Wear resistant textured black paint
Connectors	2x Neutrik NL4 Speakon
Hardware	Pole mount cup (bottom); 2x 3-position fly track (bottom); 1x 11-position fly track (top); 4x 5/16"-18 mounting points for Omnimount Series 300 (rear)
Grille	Powder coated perforated steel, foam backed





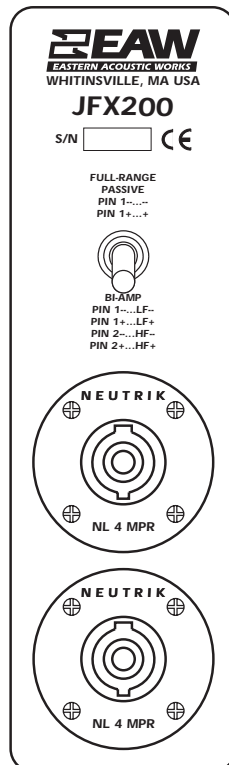
SPECIFICATIONS JFX200

DIMENSIONAL DRAWING



Manufacturing tolerances are +/- 0.13 and +/- 1°

INPUT PANEL



A & E SPECIFICATIONS

The 2-way full-range loudspeaker shall incorporate a 12-in LF cone and a 3-in voice coil neodymium HF compression driver. The LF cone shall be mounted in a vented enclosure tuned for optimum low frequency response. The HF driver shall be loaded on an axis-symmetrical, 1.4-in exit Wave Guide Plate™ with a nominal conical beamwidth of 90 degrees. An internal passive crossover network shall offer either passive or bi-amplified operation, configurable via a power mode switch on the input panel.

System frequency response shall vary no more than ± 3 dB from 90 Hz to 16 kHz measured on axis. When amplified using the internal passive crossover network, the loudspeaker shall produce a sound pressure level of 97 dB SPL on axis at 1 meter with a power input of 1 watt, and shall be capable of producing a peak output of 130 dB SPL on axis at 1 meter. It shall handle 500 watts of amplifier power and shall have a nominal impedance of 8 ohms. When bi-amplified, the LF section shall produce a sound pressure level of 97 dB SPL on axis at 1 meter with a power input of 1 watt, and shall be capable of producing a peak output of 130 dB SPL on axis at 1 meter. It shall handle 500 watts of amplifier power and shall have a nominal impedance of 8 ohms. The HF section shall produce a sound pressure level of 104 dB SPL on axis at 1 meter with a power input of 1 watt, and shall be capable of producing a peak output of 133 dB SPL on axis at 1 meter. It shall handle 200 watts of amplifier power and shall have a nominal impedance of 8 ohms.

The loudspeaker enclosure shall be irregularly trapezoidal in shape. It shall be constructed of exterior grade Baltic birch plywood and shall employ extensive internal bracing. It shall be finished in wear-resistant textured black paint. Input connectors shall be 2x Neutrik NL4 Speakon wired in parallel. It shall include a pole mount cup and handles integral to the enclosure. One 11-position fly track and two 3-position fly tracks shall be provided on the top and bottom of the enclosure respectively. Four 5/16"-18 threaded mounting points for use with an Omnimount® Series 300 (or similar) shall be provided on the rear of the enclosure. The front of the loudspeaker shall be covered with a foam backed, powder coated perforated steel grille.

The 2-way full-range loudspeaker shall be the EAW model JFX200.

PHYSICAL continued

Dimensions	inches	millimeters
	Height	22.25
Width (front)	13.68	347
Width (rear)	4.46	113
Depth	15.25	387
Weights	pounds	kilograms
	Net Weight	58
Shipping Weight	64	29.1



Free Manuals Download Website

<http://myh66.com>

<http://usermanuals.us>

<http://www.somanuals.com>

<http://www.4manuals.cc>

<http://www.manual-lib.com>

<http://www.404manual.com>

<http://www.luxmanual.com>

<http://aubethermostatmanual.com>

Golf course search by state

<http://golfingnear.com>

Email search by domain

<http://emailbydomain.com>

Auto manuals search

<http://auto.somanuals.com>

TV manuals search

<http://tv.somanuals.com>