



SPECIFICATIONS JFX590

FEATURES

- Ideal size and performance for rigorous all-purpose use
- Wide 90° coverage optimized for use in stand-alone applications
- HF compression driver and vented LF for fully professional performance
- Asymmetric enclosure provides multiple mounting angles
- Pole mount cup & fly track, plus Omnimount® Series 300 or similar mounting points
- Passive or bi-amplified operating modes

DESCRIPTION

The JFX590 is a 2-way multi-purpose loudspeaker. Its multi-functional design adds considerably to its value as a full-range loudspeaker. Combining high output and natural reproduction, it is specifically outfitted to serve in a variety of both portable and permanent applications. The asymmetric enclosure provides typical angles needed for ceiling and wall mounting as well as for stage monitor operation. For permanent installation, enclosure hardware includes mounting points for an Omnimount® Series 300 or similar bracket and fly track for suspension. Provisions for portable use include a pole mount cup, top/bottom fly track for rigging, and handles integral to the enclosure that facilitate handling and transport. The JFX590 is particularly suitable as a near field main loudspeaker or as a fill/delay element in larger systems. While the JFX590 is well suited as is for many applications, the addition of a subwoofer expands its capabilities for more demanding applications such as for houses of worship, theaters, and band PA. Six year warranty.

APPLICATION

- Portable systems or permanent installations
- Wall and ceiling mountings
- Ideal size and output for wide range of program material
- Main PA reinforcement in medium- to large-sized spaces
- Downfill for flown clusters
- High SPL stage lip / delay fill
- A/V and/or surround sound installations
- Voice & F/X reinforcement in themed attractions

PERFORMANCE

Frequency Response (1 W @ 1 m)

±3 dB	80 Hz to 15 kHz
-10 dB	55 Hz

Axial Sensitivity (dB SPL, 1 W @ 1 m)

Full Range	98
LF	98
HF	104

Impedance (Ohms)

Full Range	8
LF	8
HF	8



Power Handling (Watts, continuous)

Full Range	500
LF	800
HF	200

Calculated Maximum Output (dB SPL @ 1 m)

Full Range Peak	131
LF/HF Peak	133/133
Full Range Long Term	125
LF/HF Long Term	127/127

Nominal Coverage Angle / -6 dB points (degrees)

Horizontal	90
Vertical	45

PHYSICAL

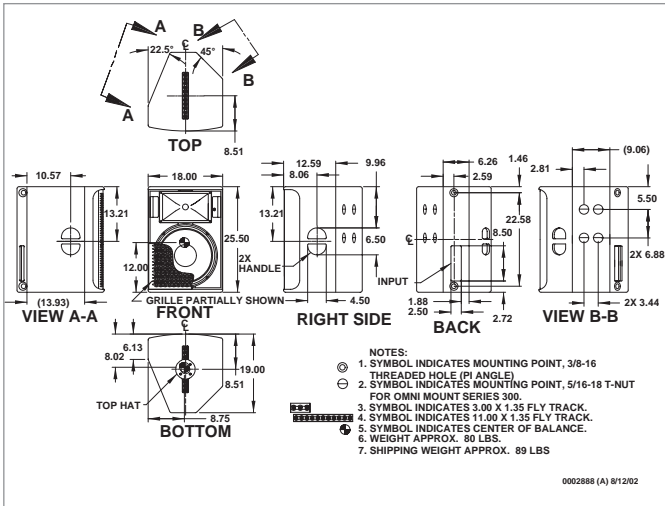
Part Number	0002887
System Configuration	2-way, full-range
Powering	Switchable: Passive LF/HF crossover or bi-amplified
LF Subsystem	1x 15-in, vented
HF Subsystem	1x 1.4-in exit/3-in voice coil neodymium compression driver on CD horn
Controls (switches, knobs)	Powering mode switch
Recommended High-Pass Frequency (24 dB/octave)	55 Hz
Enclosure Materials	Exterior grade Baltic birch plywood
Finish	Wear resistant textured black paint
Connectors	2x Neutrik NL4 Speakon
Hardware	Pole mount cup (bottom); 2x 3-position fly track (bottom); 1x 11-position fly track (top); 4x 5/16"-18 suspension points for Omnimount Series 300 (rear)
Grille	Powder coated perforated steel, foam backed





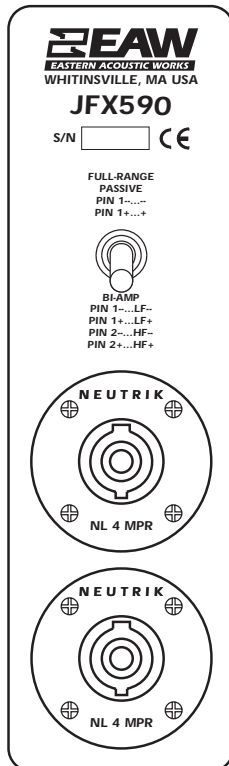
SPECIFICATIONS JFX590

DIMENSIONAL DRAWING



Manufacturing tolerances are +/- 0.13 and +/- 1°

INPUT PANELS



A & E SPECIFICATIONS

The 2-way full-range loudspeaker shall incorporate a 15-in LF cone and a 3-in voice coil HF compression driver. The LF cone shall be mounted in a vented enclosure tuned for optimum low frequency response. The HF driver shall be loaded on a 1.4-in exit constant directivity horn with a nominal beamwidth of 90 (H) x 45 (V) degrees. An internal passive crossover network shall offer either passive or bi-amplified operation, configurable via a power mode switch on the input panel.

System frequency response shall vary no more than ± 3 dB from 80 Hz to 15 kHz measured on axis. When amplified using the internal passive crossover network, the loudspeaker shall produce a sound pressure level of 98 dB SPL on axis at 1 meter with a power input of 1 watt, and shall be capable of producing a peak output of 131 dB SPL on axis at 1 meter. It shall handle 500 watts of amplifier power and shall have a nominal impedance of 8 ohms. When bi-amplified, the LF section shall produce a sound pressure level of 98 dB SPL on axis at 1 meter with a power input of 1 watt, and shall be capable of producing a peak output of 133 dB SPL on axis at 1 meter. It shall handle 800 watts of amplifier power and shall have a nominal impedance of 8 ohms. The HF section shall produce a sound pressure level of 104 dB SPL on axis at 1 meter with a power input of 1 watt, and shall be capable of producing a peak output of 133 dB SPL on axis at 1 meter. It shall handle 200 watts of amplifier power and shall have a nominal impedance of 8 ohms.

The loudspeaker enclosure shall be irregularly trapezoidal in shape. It shall be constructed of exterior grade Baltic birch plywood and shall employ extensive internal bracing. It shall be finished in wear-resistant textured black paint. Input connectors shall be 2x Neutrik NL4 Speakon wired in parallel. It shall include a pole mount cup and handles integral to the enclosure. One 11-position fly track and two 3-position fly tracks shall be provided on the top and bottom of the enclosure respectively. Four 5/16"-18 threaded mounting points for use with an Omnimount® Series 300 (or similar) shall be provided on the rear of the enclosure. The front of the loudspeaker shall be covered with a foam backed, powder coated perforated steel grille.

The 2-way full-range loudspeaker shall be the EAW model JFX590.

PHYSICAL continued

Dimensions	inches	millimeters	
	Height	25.50	648
Width (front)	18.00	457	
Width (rear)	6.25	159	
Depth	19.00	483	
Weights	pounds	kilograms	
	Net Weight	80	36.4
	Shipping Weight	89	40.5



Free Manuals Download Website

<http://myh66.com>

<http://usermanuals.us>

<http://www.somanuals.com>

<http://www.4manuals.cc>

<http://www.manual-lib.com>

<http://www.404manual.com>

<http://www.luxmanual.com>

<http://aubethermostatmanual.com>

Golf course search by state

<http://golfingnear.com>

Email search by domain

<http://emailbydomain.com>

Auto manuals search

<http://auto.somanuals.com>

TV manuals search

<http://tv.somanuals.com>