



SPECIFICATIONS KF911

FEATURES

- Downfill HF Phased PointSource Technology™ module
- 2x 2-in HF on separate SimplePhase™ horns
- PPST™ systems build arrays for the largest spaces
- Pre-configured DSP defines coverage by integrating cells and modules to fit its application
- P (install) or F (portable) versions available

DESCRIPTION

A dedicated PPST™ downfill high frequency system in a trapezoidal enclosure. Includes 2x 2-in exit compression drivers on SimplePhase™ horns.

APPLICATION

The KF911 PPST™ downfill HF module is engineered for use in KF900 Series arrays. It provides HF coverage from -15° to -60° below the array. KF900 Series modules can only be used in arrays and must be integrated with complex PPST™ processing. Six year warranty.

Applications include:

Stadiums Concert Tours

PERFORMANCE

Frequency Response (1 Watt @ 1m)	
±3 dB	500 Hz to 14 kHz
-10 dB	400 Hz to 16 kHz
Axial Sensitivity (dB SPL, 1 Watt @ 1m)	
HF	113
Impedance (Ohm)	
HF	2x 8
Power Handling, AES Standard (Watts)	
HF	2x 200
Recommended Amplifier Power (Watts)	
HF	2x 400
Calculated Maximum Output (dB SPL @ 1m)	
HF Peak	145.0
HF Long Term	139.0
Nominal Coverage Angle, -6 dB Points (degrees)	
Horizontal	30
Vertical	Beam profile adjustable via PPST™ processing
Recommended High-Pass Frequency	
24 dB/Octave	1250 Hz, 500 Hz minimum
Recommended Complementary Systems	
Sub	KF940
LF	KF930
Mid/High	KF920, KF910



Prototype shown with temporary hardware

PHYSICAL

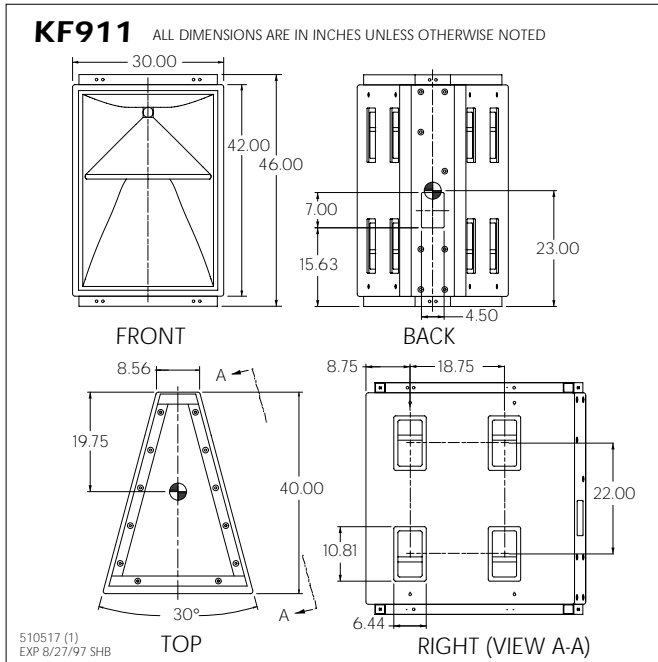
HF Subsystem	2X 2-in exit compression drivers on 30° (H) SimplePhase Horns	
Configuration	Dedicated HF, downfill	
Powering	Active processing	
Controls (switches, knobs)	None	
Cabinet Type (shape)	Trapezoidal	
Enclosure Materials	Baltic birch plywood	
Finish	Black catalyzed polyurethane	
Connectors	One each male and female AP6	
Suspension Hardware	(16) 3/8"-16 threaded mounting points (4 each top, bottom and sides)	
Grille	Vinyl coated perforated steel, foam backed	
Dimensions	inches	millimeters
	Height	46.00 1168
	Width (front)	30.00 762
	Width (rear)	8.56 217
	Depth	40.00 1016
	Trapezoid Angle	15° per Side
Weights	pounds	kilograms
	Net Weight	280 127.4
	Shipping Weight	288 131.0





SPECIFICATIONS KF911

DIMENSIONAL DRAWING



Manufacturing tolerances are +/-0.13 and +/-1°

A & E SPECIFICATIONS

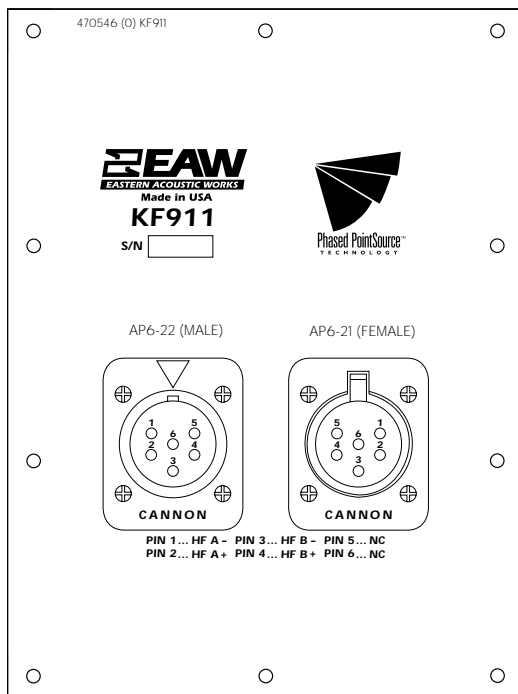
The HF module shall incorporate 2x horn-loaded 2-in exit compression driver HF transducers. The module shall have a nominal horizontal coverage pattern of 30°. The module's vertical beam profile shall be adjustable via complex digital signal processing. The module shall be integrated with complementary frequency-specific modules into a single acoustical unit via complex digital signal processing.

Module frequency response shall vary no more than ± 3 dB from 500 Hz to 14 kHz measured on axis. The module shall produce a Sound Pressure Level (SPL) of 114 dB SPL on axis at 1 meter with a power input of 1 Watt, and shall be capable of producing a peak output of 151 dB SPL on axis at 1 meter. Each driver shall handle 200 Watts of amplifier power (AES Standard) and shall have a nominal impedance of 8 Ohms.

The loudspeaker enclosure shall be trapezoidal in shape. It shall be constructed of 1/2-in thickness void-free cross-grain-laminated Baltic birch plywood and shall employ extensive internal bracing. It shall be finished in black catalyzed polyurethane. Input connectors shall be one each male and female AP6. The enclosure shall include sixteen 3/8"-16 threaded mounting points (4 each top, bottom and sides). The front of the loudspeaker shall be covered with a vinyl coated perforated steel grille backed with open cell foam to protect against dust.

The downfill high frequency module shall be the EAW model KF911.

INPUT PLATE



Free Manuals Download Website

<http://myh66.com>

<http://usermanuals.us>

<http://www.somanuals.com>

<http://www.4manuals.cc>

<http://www.manual-lib.com>

<http://www.404manual.com>

<http://www.luxmanual.com>

<http://aubethermostatmanual.com>

Golf course search by state

<http://golfingnear.com>

Email search by domain

<http://emailbydomain.com>

Auto manuals search

<http://auto.somanuals.com>

TV manuals search

<http://tv.somanuals.com>