



# SPECIFICATIONS LA212

## DESCRIPTION

A 2-way full range system (passive LF/HF crossover) in a vented dual purpose (main/stage monitor) enclosure. Includes a 12-in woofer and a 2-in exit/3-in voice coil compression driver on a Wave Guide Plate™.

## APPLICATIONS

The LA212 integrates with other LA Series loudspeakers to build an expandable total system. Includes rubber feet and a stand mount cup for use as a small main and rubber footpads for use as a stage monitor. Integrated handles and mounting/suspension points. Six Year Warranty.

Applications include:

- Ballroom Events
- Corporate Events
- Band PA

## PERFORMANCE

<b>Frequency Response (Hz)</b>	
±3 db	60Hz to 18kHz
-10 dB	50Hz
<b>Axial Sensitivity (dB SPL/1 Watt/1m)</b>	
97	
<b>Impedance (Ohms)</b>	
8	
<b>Power Handling, AES Standard (Watts)</b>	
500	
<b>Calculated Maximum Output (dB SPL, @ 1m)</b>	
Peak	130.0
Long Term	124.0
<b>Nominal Coverage Angle / -6 dB points (degrees)</b>	
Conical	90
<b>Recommended Complementary Systems</b>	
Sub	LA118



## PHYSICAL

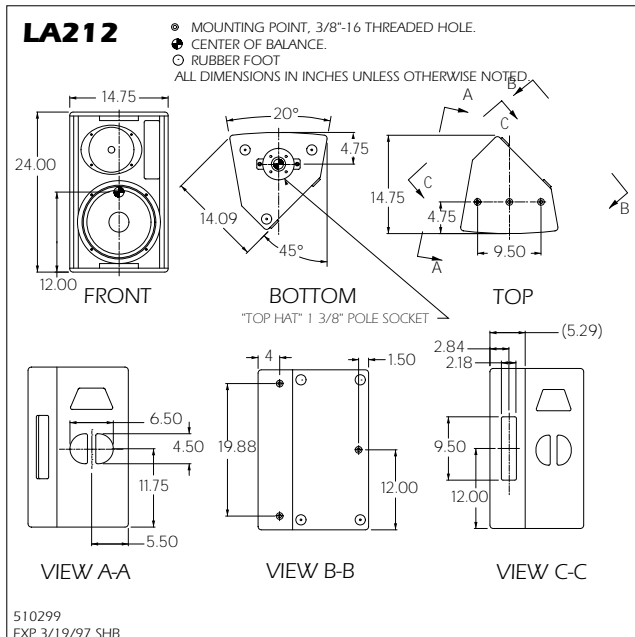
Part Number	999267	
Product Group	G	
LF Subsystem & Loading	1x 12-in, vented	
HF Subsystem & Loading	1x 2-in exit/3-in voice coil compression driver on Wave Guide Plate™	
System Configuration	2-way, full range	
Powering Configuration(s)	Passive LF/HF crossover	
Recommended High-Pass Frequency (24 dB/Octave)	50 Hz	
Cabinet Type (shape)	Irregular pentagon (floor monitor)	
Enclosure Materials	Baltic birch plywood	
Finish	Black catalyzed polyurethane	
Connectors	2x Neutrik NL4 connectors	
Suspension Hardware	(3) 3/8"-16 threaded mounting/suspension points (1 top, 2 back), rubber feet one side and one end, stand mount cup (bottom)	
Grille	Vinyl coated perforated steel	
Options	179001 flyclip with hook 179002 flyclip with ring	
<b>Dimensions</b>	<b>inches</b>	<b>millimeters</b>
Height	24	610
Width	14.75	375
Depth	14.75	375
Minimum Stage Height	14.94	379
Floor Angle(s)	50 degrees	
<b>Weights</b>	<b>pounds</b>	<b>kilograms</b>
Net Weight	52.0	23.7
Shipping Weight	60.0	27.3





# SPECIFICATIONS LA212

## DIMENSIONAL DRAWING



## SERVICE ITEMS

### MF: Complete Cone Driver

EAW Part No. 804051

### HF: Complete Compression Driver/Tweeter

EAW Part No. 803028

### Filter/Crossover Network: Complete Assembly

EAW Part No. 225134

## A & E SPECIFICATIONS

The two-way full range loudspeaker systems shall incorporate a 12-in LF transducer and a 2-in exit/3-in voice coil compression driver HF transducer.

The LF driver shall be mounted in a vented enclosure tuned for optimum low frequency response. The HF driver shall be loaded on an axis-symmetrical wave guide plate with a nominal coverage pattern of 90° (conical). An internal passive filter network shall provide fourth order acoustical crossover and system equalization.

System frequency response shall vary no more than  $\pm 3$  dB from 60 Hz to 18 kHz measured on axis. The loudspeaker shall produce a Sound Pressure Level (SPL) of 97 dB SPL on axis at 1 meter with a power input of 1 Watt, and shall be capable of producing a peak output of 130 SPL on axis at 1 meter. The loudspeaker shall handle 500 Watts of amplifier power (AES Standard) and shall have a nominal impedance of 8 Ohms.

The loudspeaker enclosure shall be irregularly trapezoidal in shape. Rubber footpads shall be provided on one side and one end. It shall be constructed of 1/2-in thickness void-free cross-grain-laminated Baltic birch plywood and shall employ extensive internal bracing. It shall be finished in black catalyzed polyurethane. Input connectors shall be dual Neutrik NL4 Speakon. Three 3/8"-16 threaded mounting/suspension points (1 top, 2 back) shall be provided as well as a recessed cup to accept a standmount pole. The front of the loudspeaker shall be covered with a vinyl coated perforated steel grille.

The two-way full range loudspeaker shall be the EAW model LA212.

## Free Manuals Download Website

<http://myh66.com>

<http://usermanuals.us>

<http://www.somanuals.com>

<http://www.4manuals.cc>

<http://www.manual-lib.com>

<http://www.404manual.com>

<http://www.luxmanual.com>

<http://aubethermostatmanual.com>

Golf course search by state

<http://golfingnear.com>

Email search by domain

<http://emailbydomain.com>

Auto manuals search

<http://auto.somanuals.com>

TV manuals search

<http://tv.somanuals.com>