



# TECHNICAL SPECIFICATIONS MQV1366

## FEATURES

- Full Range VA4™ loudspeaker system
- Optimized for permanent install only
- Direct radiating 15-inch woofer in optimally vented enclosure
- Horn loaded 10-inch cone with VA4™ phase plug
- 2-inch exit/75mm voice coil compression driver on constant directivity horn

## DESCRIPTION

The MQV Series is part of the next generation of permanent installation loudspeakers. Using VA4™ Technology developed for the KF700 series, the MQV range replaces the ASV range of virtual array systems.

The MQV1366 uses a single, direct radiating 15-inch woofer in an optimally vented enclosure.

A single, horn loaded 10-inch midrange cone with a special geometry is used which produces a time coherent wavefront through the upper portion of the midrange that is critical to vocal articulation. A phase plug with radial slots then serves to reduce the mechanical resistance of the subsystem without affecting the directivity of the source, allowing flawless vertical arraying of multiple MQV modules

A high power 2-inch exit/75mm voice coil compression driver is mounted on a constant directivity horn for consistent, accurate dispersal of HF information.

## APPLICATIONS

The MQV1366 is engineered as a full range component for very large format arrays and is an effective tool in large-scale permanent installations. Comprehensive mounting points allow for flexible installation.

Applications include:

- Large Church
- Large Arenas
- Stadiums

## DESCRIPTIVE DATA

|                      |   |
|----------------------|---|
| LF Subsystem         | 1x 15-in Woofer   |
| MF Subsystem         | 1x 10-in Horn Loaded Cone   |
| HF Subsystem         | 2-in Exit Compression Driver on Constant Directivity Horn               |
| Configuration        | Three-way, Full Range   |
| Powering             | Triamplified  |
| Cabinet Type (shape) | Trapezoid   |
| Enclosure Materials  | Baltic birch plywood  |
| Finish               | Wear-resistant Textured Black Paint                                     |
| Connectors           | 1x 6-Terminal Barrier Strip & 1x NL8 Speakon                            |
| Suspension Hardware  | (16) 3/8"-16 Threaded Mounting Points (4 each on top, bottom and sides) |
| Grill                | Powder Coated Perforated Steel  |



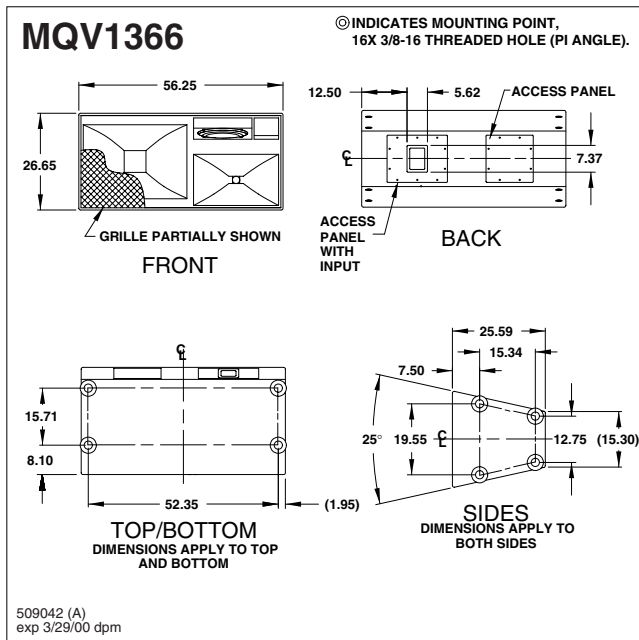
| Dimensions      | Inches                | Millimeters |
|-----------------|-----------------------|-------------|
| Height (front)  | 26.65                 | 677         |
| Height (rear)   | 15.3                  | 389         |
| Width           | 56.25                 | 1429        |
| Depth           | 25.59                 | 650         |
| Trapezoid Angle | 12.5 Degrees per Side |             |
| Weights         | Pounds                | Kilograms   |
| Net Weight      | 215                   | 97.5        |
| Shipping Weight | 240                   | 108.9       |





# TECHNICAL SPECIFICATIONS MQV1366

## DIMENSIONAL DRAWING



## NOMINAL DATA

### Frequency Response

|        |                 |
|--------|-----------------|
| ±3 dB  | 50 Hz to 16 kHz |
| -10 dB | 34 Hz           |

### Axial Sensitivity (dB SPL, 1 Watt @ 1m)

|    |     |
|----|-----|
| LF | 97  |
| MF | 109 |
| HF | 112 |

### Impedance (Ohms)

|    |   |
|----|---|
| LF | 8 |
| MF | 8 |
| HF | 8 |

### Power Handling, AES Standard (Watts)

|    |     |
|----|-----|
| LF | 550 |
| MF | 400 |
| HF | 200 |

### Calculated Maximum Output (dB SPL @ 1m)

|              |       |
|--------------|-------|
| LF Peak      | 130.4 |
| MF Peak      | 141.0 |
| HF Peak      | 141.0 |
| LF Long Term | 124.0 |
| MF Long Term | 135.0 |
| HF Long Term | 135.0 |

### Nominal Coverage Angle, -6 dB Points (degrees)

|            |    |
|------------|----|
| Horizontal | 60 |
| Vertical   | 60 |

### Recommended High-Pass Frequency

|              |      |
|--------------|------|
| 24 dB/Octave | 35Hz |
|--------------|------|

## ARCHITECTURAL SPECIFICATIONS

The three-way full range loudspeaker system shall incorporate a 15-in woofer (vented), a 10-in cone MF transducer, and a 2-in exit compression driver HF transducer.

The MF driver shall be loaded into a midrange horn constructed of 3mm birch plywood reinforced with high density polyurethane foam. The MF horn shall incorporate a radial phase plug. The HF driver shall be loaded on constant directivity horn with a nominal coverage pattern of 60° (h) x 60° (v).

System frequency response shall vary no more than ±3 dB from 50 Hz to 16 kHz measured on axis. The midrange frequency section shall produce a Sound Pressure Level (SPL) of 109 dB SPL on axis at 1 meter with a power input of 1 Watt, and shall be capable of producing a peak output of 141 SPL on axis at 1 meter. The high frequency section shall produce a Sound Pressure Level (SPL) of 112 dB SPL on axis at 1 meter with a power input of 1 Watt, and shall be capable of producing a peak output of 141 SPL on axis at 1 meter. The midrange frequency section shall handle 400 Watts of amplifier power (AES Standard) and shall have a nominal impedance of 8 Ohms. The high frequency section shall handle 200 Watts of amplifier power (AES Standard) and shall have a nominal impedance of 8 Ohms.

The loudspeaker enclosure shall be trapezoidal in shape. It shall be constructed of 15mm thickness void-free cross-grain-laminated Baltic birch plywood and shall employ extensive internal bracing. It shall be finished in wear-resistant textured black paint. Input connectors shall be 1x 6-terminal barrier strip and one Neutrik NL8 Speakon. A total of sixteen 3/8"-16 threaded mounting points (4 each top, bottom and sides) shall be provided. The front of the loudspeaker shall be covered with a powder coated perforated steel grill.

The three-way full range loudspeaker shall be the EAW model MQV1366.

## Free Manuals Download Website

<http://myh66.com>

<http://usermanuals.us>

<http://www.somanuals.com>

<http://www.4manuals.cc>

<http://www.manual-lib.com>

<http://www.404manual.com>

<http://www.luxmanual.com>

<http://aubethermostatmanual.com>

Golf course search by state

<http://golfingnear.com>

Email search by domain

<http://emailbydomain.com>

Auto manuals search

<http://auto.somanuals.com>

TV manuals search

<http://tv.somanuals.com>