



# SPECIFICATIONS UB42

## FEATURES

- Ultra-compact two-way system
- 4x 5.25-in LF (angled baffles)/2x horn-loaded 1-in exit HF (170° x 50° coverage pattern)
- "Stealth" enclosure provide ultra-wide coverage virtually unseen
- High output, high definition sound from an ultracompact enclosure

## DESCRIPTION

A 2-way full range system (passive LF/HF crossover) in a unique ultra-low-profile dual baffle enclosure. Includes 4x 5.25-in woofers and 2x 1-in exit compression driver on dual constant directivity horns with a combined 170 x 50 coverage pattern.

## APPLICATIONS

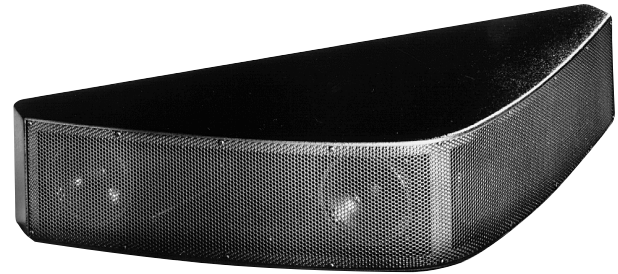
The UB42's unique "Stealth" enclosure provides extreme wide-angled coverage while virtually disappearing from view. Surprisingly high output with high definition. Comprehensive mounting/suspension points. Six year warranty.

Applications include use as in:

- Large Theaters (underbalcony fill/delay)
- Small Theaters (underbalcony fill/delay)
- Large HOW's (underbalcony fill/delay)
- Arenas (distributed)
- Major Mall (distributed)

## PERFORMANCE

<b>Frequency Response (1 Watt @ 1m)</b>	
±3 db	70 Hz to 18 kHz
-10 dB	55 Hz
<b>Efficiency / Axial Sensitivity (dB SPL, 1 Watt @ 1m)</b>	
94	
<b>Impedance (Ohms)</b>	
8	
<b>Power Handling, AES Standard (Watts)</b>	
350	
<b>Calculated Maximum Output (dB SPL @ 1m)</b>	
Peak	125.4
Long Term	119.4
<b>Nominal Coverage Angle, -6 dB Points (degrees)</b>	
Horizontal	170
Vertical	50
<b>Recommended High-Pass Frequency</b>	
24 dB/Octave	50 Hz



## PHYSICAL

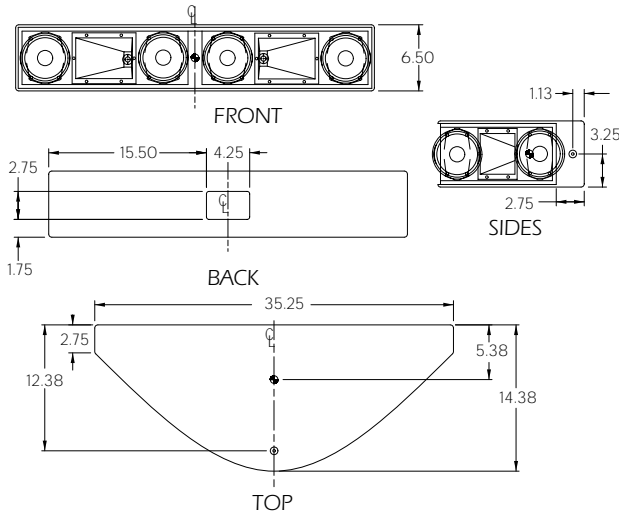
LF Subsystem	4x 5.25-in cones	
HF Subsystem	2x 1-in exit compression driver on constant directivity horn	
Configuration	2-way, full range	
Powering	Passive LF/HF crossover	
Cabinet Type (shape)	Horizontal wing	
Enclosure Materials	Baltic birch plywood	
Finish	Black catalyzed polyurethane	
Connectors	2-terminal barrier	
Suspension Hardware	(3) 1/4"-20 threaded mounting points (1 each top and sides)	
Grille	Vinyl coated perforated steel	
Mounting Bracket	980010	
<b>Dimensions</b>	<b>Inches</b>	<b>Millimeters</b>
Height	6.25	159
Width	35.25	895
Depth	14.36	365
<b>Weights</b>	<b>Pounds</b>	<b>Kilograms</b>
Net Weight	32	14.6
Shipping Weight	39	17.7



## DIMENSIONAL DRAWING

### UB42

- ⊙ MOUNTING POINT, 1/4"-20 THREADED HOLE.
- ALL DIMENSIONS IN INCHES UNLESS OTHERWISE SPECIFIED.
- CABINET SYMMETRICAL ABOUT ITS CENTER LINES.
- CENTER OF GRAVITY



510168  
EXP 3/17/97 SHB

## A & E SPECIFICATIONS

The two-way full range loudspeaker systems shall incorporate 4x 5.25 LF transducers and 2x 1-in exit compression driver HF transducers.

The HF drivers shall be loaded on dual constant directivity horns with a combined nominal coverage pattern of 170° (h) x 60° (v). The LF drivers shall be mounted on separate angled baffles to match the HF horn's coverage angle. An internal passive filter network shall provide fourth order acoustical crossover and system equalization.

System frequency response shall vary no more than  $\pm 3$  dB from 70 Hz to 18 kHz measured on axis. The loudspeaker shall produce a Sound Pressure Level (SPL) of 94 dB SPL on axis at 1 meter with a power input of 1 Watt, and shall be capable of producing a peak output of 125.4 SPL on axis at 1 meter. The loudspeaker shall handle 350 Watts of amplifier power (AES Standard) and shall have a nominal impedance of 8 Ohms.

The loudspeaker enclosure shall be irregular in shape, featuring a low vertical profile and a wide horizontal arch. It shall be constructed of 1/2-in thickness void-free cross-grain-laminated Baltic birch plywood and shall employ extensive internal bracing. It shall be finished in black catalyzed polyurethane. Input connectors shall be 2-terminal barrier strip. A total of three 1/4"-20 Threaded Mounting Points (1 each top and sides) shall be provided. The front of the loudspeaker shall be covered with a vinyl coated perforated steel grille.

The two-way full range loudspeaker shall be the EAW model UB42.

## Free Manuals Download Website

<http://myh66.com>

<http://usermanuals.us>

<http://www.somanuals.com>

<http://www.4manuals.cc>

<http://www.manual-lib.com>

<http://www.404manual.com>

<http://www.luxmanual.com>

<http://aubethermostatmanual.com>

Golf course search by state

<http://golfingnear.com>

Email search by domain

<http://emailbydomain.com>

Auto manuals search

<http://auto.somanuals.com>

TV manuals search

<http://tv.somanuals.com>