



# TECHNICAL SPECIFICATIONS UB82e

## DESCRIPTION

A 2-way passive full range system in a compact vented rectangular enclosure. Includes 2x 8-in woofer and a 1-in exit compression driver on a 90 x 60 constant directivity horn.

## APPLICATIONS

The UB82e provides very high output and wideband response in distributed applications. Powerful enough to supplement touring concert rigs in stage lip areas. Comprehensive mounting points. Six year warranty.

Applications include:

- Ballroom Events
- MultiMedia
- Boardrooms
- Small HOW's
- Large Retail Spaces (distributed)



## DESCRIPTIVE DATA

LF Subsystem	2x 8-in Cone, Vented	
HF Subsystem	1x 1-in Exit/44mm Voice Coil Compression Driver on Constant Directivity Horn	
System Configuration	2-way, Full Range	
Powering Configuration(s)	Passive LF/HF Crossover	
Cabinet Type (shape)	Rectangular	
Enclosure Materials	Baltic Birch Plywood	
Finish	Wear-resistant Textured Black Paint	
Connectors	1x 2-Terminal Barrier Strip 2x Neutrik NL4 Speakon	
Suspension Hardware	(10) 3/8"-16 Threaded Mounting Points (2 each top and bottom, 3 per side)	
Grill	Powder Coated Perforated Steel	
<b>Dimensions</b>	<b>Inches</b>	<b>Millimeters</b>
Height	10.62	270
Width	30	762
Depth	11.71	297
<b>Weights</b>	<b>Pounds</b>	<b>Kilograms</b>
Net Weight	57	25.9
Shipping Weight	65	29.5



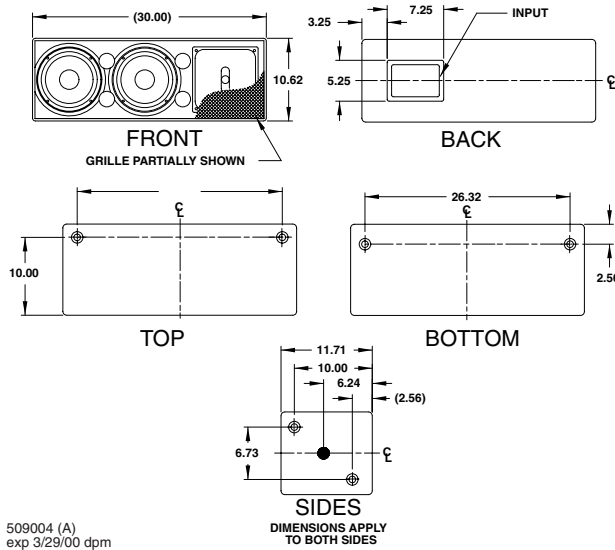


# TECHNICAL SPECIFICATIONS UB82e

## DIMENSIONAL DRAWING

**UB82e**

● INDICATES MOUNTING POINT, 3/8-16 THREADED HOLE (NUT PLATE).  
 ◎ INDICATES MOUNTING POINT, 3/8-16 THREADED HOLE (PI ANGLE).



## NOMINAL DATA

<b>Frequency Response (Hz)</b>	
±3 db	62Hz to 20kHz
-10 db	42Hz
<b>Axial Sensitivity (dB SPL, 1 Watt @ 1m)</b>	
	92
<b>Impedance (Ohms)</b>	
	8
<b>Power Handling, AES Standard (Watts)</b>	
Full Range	600
<b>Calculated Maximum Output (dB SPL @ 1m)</b>	
Peak	125.8
Long Term	119.8
<b>Nominal Coverage Angle, -6 dB Points (degrees)</b>	
Horizontal	90
Vertical	60
<b>Recommended High-Pass Frequency</b>	
24 dB/Octave	42Hz

## ARCHITECTURAL SPECIFICATIONS

The two-way full range loudspeaker systems shall incorporate 2x 8-in LF transducers and a 1-in exit/44mm Voice Coil compression driver HF transducer.

The LF drivers shall be mounted in a vented enclosure tuned for optimum low frequency response. The HF driver shall be loaded on a constant directivity horn with a nominal coverage pattern of 90° (h) x 60° (v). An internal passive filter network shall provide fourth order acoustical crossover and system equalization.

System frequency response shall vary no more than ±3 dB from 62 Hz to 20 kHz measured on axis. The loudspeaker shall produce a Sound Pressure Level (SPL) of 92 dB SPL on axis at 1 meter with a power input of 1 Watt, and shall be capable of producing a peak output of 125.8 SPL on axis at 1 meter. The loudspeaker shall handle 600 Watts of amplifier power (AES Standard) and shall have a nominal impedance of 8 Ohms.

The loudspeaker enclosure shall be rectangular in shape. It shall be constructed of 15mm thickness void-free cross-grain-laminated Baltic birch plywood and shall employ extensive internal bracing. It shall be finished in wear-resistant textured black paint. Input connectors shall be 1x 2-terminal barrier strip and 2x Neutrik NL4 Speakers. A total of ten 3/8"-16 threaded mounting points (2 each top and bottom, 3 per side) shall be provided. The front of the loudspeaker shall be covered with a powder coated perforated steel grill.

The two-way full range loudspeaker shall be the EAW model UB82e.

## Free Manuals Download Website

<http://myh66.com>

<http://usermanuals.us>

<http://www.somanuals.com>

<http://www.4manuals.cc>

<http://www.manual-lib.com>

<http://www.404manual.com>

<http://www.luxmanual.com>

<http://aubethermostatmanual.com>

Golf course search by state

<http://golfingnear.com>

Email search by domain

<http://emailbydomain.com>

Auto manuals search

<http://auto.somanuals.com>

TV manuals search

<http://tv.somanuals.com>