


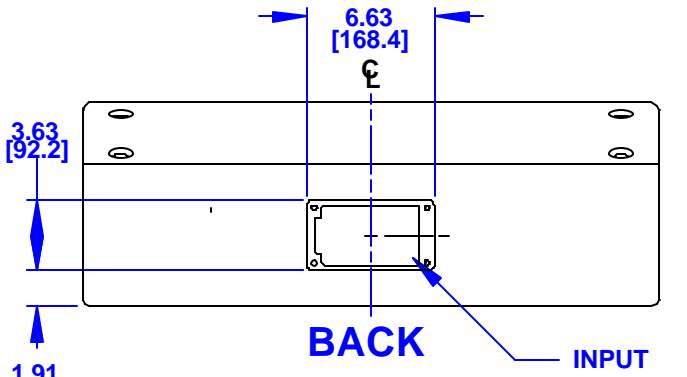
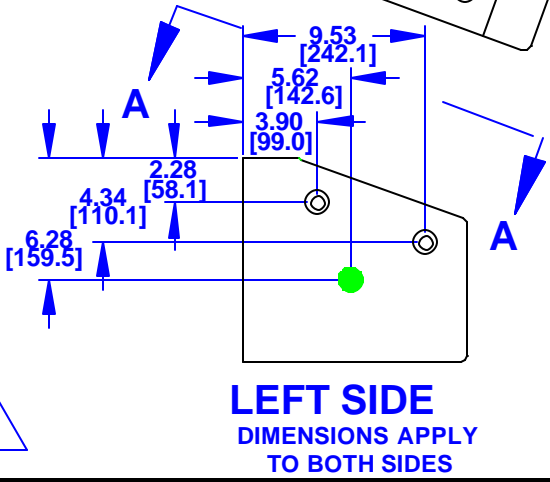
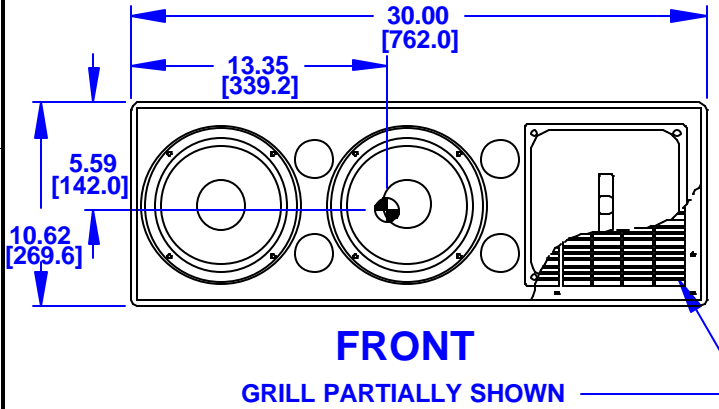
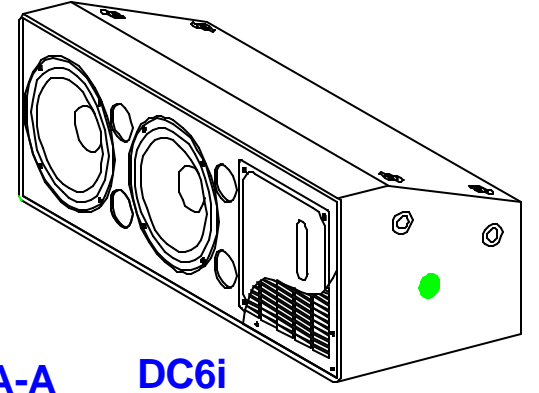
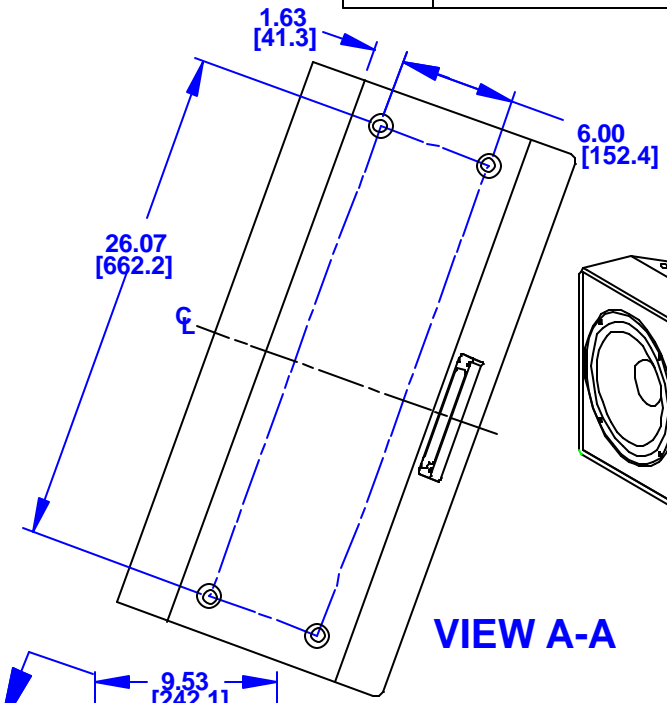
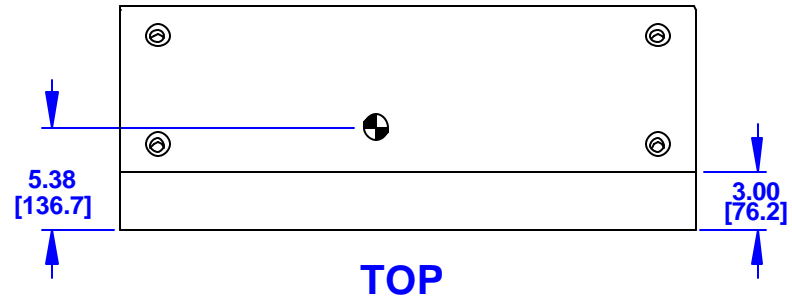


NOTES:

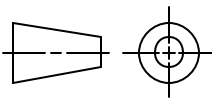
1. SYMBOL  INDICATES MOUNTING POINT, 3/8-16THREADED HOLE (PI ANGLE).
2. SYMBOL  INDICATES MOUNTING POINT, 3/8-16THREADED HOLE (NUT PLATE).
3. SYMBOL  INDICATES CENTER OF BALANCE.
4. WEIGHT APPROX. 56 LBS.
5. SHIPPING WEIGHT APPROX. 64 LBS.

REV	DESCRIPTION	APVD/DATE
A	NEW ISSUE PER DSRWHT6963 KL 1/16/05	RS 1-23-06



DOCUMENT CONTROL PER SPECIFICATION 4.5.201

THIRD ANGLE PROJECTION



THIS DRAWING IS THE PROPERTY OF EAW AND SHALL NOT BE COPIED, REPRODUCED, OR USED AS THE BASIS FOR MANUFACTURE OR SALE OF APPARATUS WITHOUT WRITTEN AUTHORIZATION. DO NOT SCALE DRAWING.

UNLESS OTHERWISE SPECIFIED:
ALL DIMENSIONS ARE IN INCHES
DUAL [MM] DIMENSIONS REF ONLY
TOLERANCE IN INCHES
.X ±.03 .XX ±.015 .XXX ±.005
FRACTIONS ±1/32
ANGLES ±1/2°
(X.XX) - REF DIMS
NO TOLERANCE IMPLIED
TSC—THEORETICAL SHARP CORNER
DIMENSIONS ACROSS CENTERLINES
TO BE SYMMETRICAL

STATUS: PRODUCTION	
APPROVALS	DATE
DRAWN: CA	1/11/06
CHECKED: KFH	1/24/06
DES ENG: ZC	1/26/06
MFG ENG: SM	1/25/06

EAW EASTERN ACOUSTIC WORKS
ONE MAIN STREET
WHITINSVILLE, MA 01588 USA

TITLE:
CABINET/FINISHED/BLACK/DC6i
[MECHANICAL SPECIFICATION]

A SHEET 1 OF 1 SCALE: 1 TO 10

DRAWING NUMBER: 0012495 REVISION: A

Free Manuals Download Website

<http://myh66.com>

<http://usermanuals.us>

<http://www.somanuals.com>

<http://www.4manuals.cc>

<http://www.manual-lib.com>

<http://www.404manual.com>

<http://www.luxmanual.com>

<http://aubethermostatmanual.com>

Golf course search by state

<http://golfingnear.com>

Email search by domain

<http://emailbydomain.com>

Auto manuals search

<http://auto.somanuals.com>

TV manuals search

<http://tv.somanuals.com>