



SPECIFICATIONS DCT1

FEATURES

- Dedicated supertweeter array
- Four high frequency compression tweeters
- 360° (H) dispersion suspended directly overhead

DESCRIPTION

The DCT1 is engineered for use in permanent installations. The system mounts four horn-loaded 1.33-in exit compression tweeters in an inverted pyramid enclosure. The driver/phase plug assemblies are engineered to minimize beaming of soundwaves with the smallest wavelengths, particularly in the horizontal plane.

APPLICATION

The DCT1's inverted pyramid configuration delivers optimized 360° horizontal dispersion of high frequencies when suspended directly overhead. It provides very high levels of high frequency sound reinforcement for high energy dance clubs.

Like all EAW products, it can be special ordered in virtually any color to match a specific décor. Six year warranty.

PERFORMANCE

Frequency Response

±3 dB	5 kHz to 15 kHz
-10 dB	4.5 kHz

Axial Sensitivity (dB SPL, 1 watt @ 1 m)

HF	110
----	-----

Nominal Input Impedance (ohms)

HF	32
----	----

Power Handling (watts, continuous)

HF	100
----	-----

Recommended High-Pass Frequency

24 dB/octave	5 kHz
--------------	-------

Calculated Output Limit (dB SPL @ 1 m)

HF Peak	136
HF Long Term	130

Nominal Beamwidth (degrees @ -6 dB SPL)

Horizontal	360
Vertical	45



PHYSICAL

Product Group	Avalon	
Configuration	Dedicated VHF	
VHF Subsystem	4x 1.33-in compression tweeters, horn-loaded	
Enclosure Material	Exterior-grade Baltic birch plywood	
Finish	Wear-resistant textured black paint	
Connectors	2x Neutrik NL4 Speakon	
Suspension Hardware	4x 1/4"-20 threaded mounting points (4 top)	
Dimensions	inches	millimeters
	Height	9.0 / 229
	Width	12.0 / 305
	Depth	12.0 / 305
	Baffle Angle	50°
Weights	pounds	kilograms
	Net Weight	22 / 10.0
	Shipping Weight	28 / 12.7

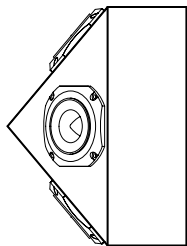
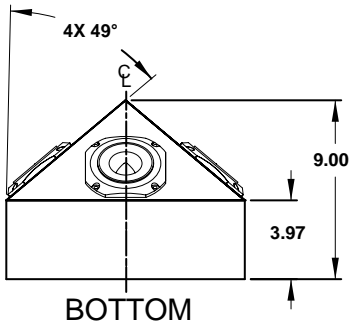
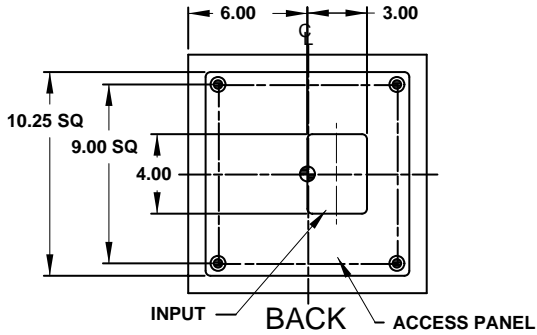
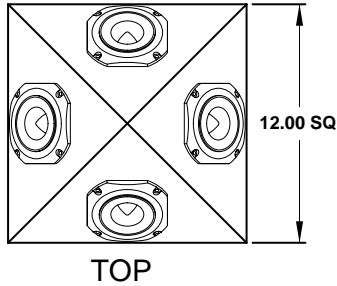




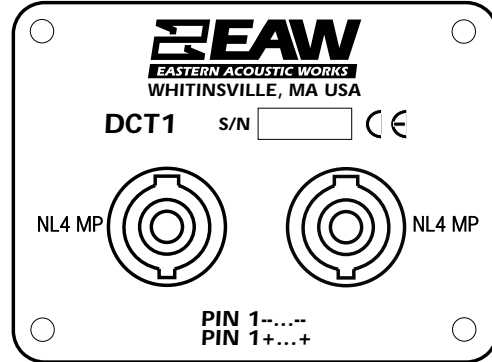
SPECIFICATIONS DCT1

DIMENSIONAL DRAWING

- INDICATES MOUNTING POINT, 1/4-20 THREADED HOLE (T-NUT).
- ⊙ INDICATES CENTER OF BALANCE.



INPUT PANEL



510942 (A)
7/31/01

Manufacturing tolerances are +/- 0.13 and +/- 1°



Free Manuals Download Website

<http://myh66.com>

<http://usermanuals.us>

<http://www.somanuals.com>

<http://www.4manuals.cc>

<http://www.manual-lib.com>

<http://www.404manual.com>

<http://www.luxmanual.com>

<http://aubethermostatmanual.com>

Golf course search by state

<http://golfingnear.com>

Email search by domain

<http://emailbydomain.com>

Auto manuals search

<http://auto.somanuals.com>

TV manuals search

<http://tv.somanuals.com>