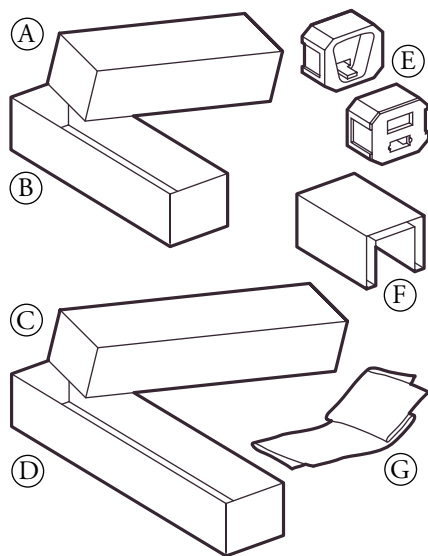


EAW Instructions/Repackaging DSA230 & DSA250 Loudspeakers

All original packaging, the DSA230 Repackaging Kit, P/N 0013249, or the DSA250 Repackaging Kit, P/N 0013250, is required for reshipping a DSA Loudspeaker. Follow this Instruction Sheet when repackaging.

NOTE: An RA (Return Authorization) number must be obtained from the EAW Service Department for any product being shipped back to EAW.

Warning: Repackaging DSA loudspeakers should only be done by an experienced technician. Improper repackaging may result in damage to the equipment or injury.



DSA230 REPACKAGING KIT PARTS LIST, EAW P/N 0013249:

Item	EAW P/N	Qty	Description
A	0011971	1	Box, Cardboard, Top, DSA230
B	0011976	1	Box, Cardboard, Bottom, DSA230
E	0011371	2	Endcap, Foam-DSA
F	0013156	1	Cardboard Sheet, Scored, Top Pad, DSA
G	304005	1	Poly Bag, Clear, 34 x 24 x 60
H	RD0172	1	Instructions, Repackaging, DSA (this sheet)

DSA250 REPACKAGING KIT PARTS LIST, EAW P/N 0013250:

Item	EAW P/N	Qty	Description
C	0011977	1	Box, Cardboard, Top, DSA250
D	0011978	1	Box, Cardboard, Bottom, DSA250
E	0011371	2	Endcap, Foam-DSA
F	0013156	2	Cardboard Sheet, Scored, Top Pad, DSA
G	304002	1	Poly Bag, Clear, 32 x 24 x 70
H	RD0172	1	Instructions, Repackaging, DSA (this sheet)

Removing Mounting Hardware

CAUTION: Remove all mounting hardware from the loudspeaker before repackaging. Do not pack any mounting hardware with the loudspeaker. Provide separate packaging if being shipped with the loudspeaker.

Wall Mount Brackets: Remove the bracket on each end of the loudspeaker by unscrewing its hex head attachment screw. To prevent loss, screw them back into the mounting brackets.

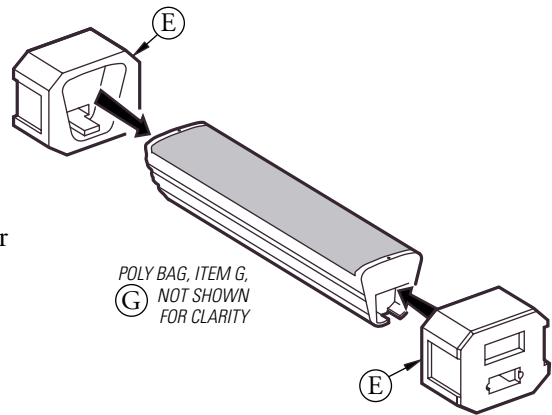
Fly-Bar Kit: Remove the Fly-Bar assembly by unscrewing the eight slotted standoffs from the four Support Straps in the channels along the sides of the loudspeaker. To ease removal, loosen the bolts that attach the Support Straps to the Fly-Bar. Slide the entire Fly-Bar assembly out of the channels. To prevent loss, screw the standoffs back onto the Strap studs.

Connecting Straps: Remove the four Connecting Straps by unscrewing the eight slotted standoffs in the channels along the sides of the loudspeaker. Slide each Strap out of its channel. To prevent loss, screw the standoffs back onto the Strap studs.

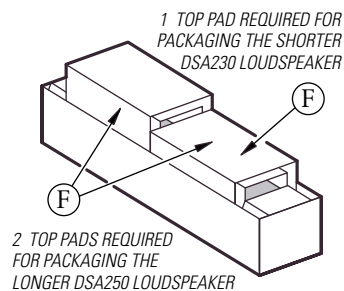
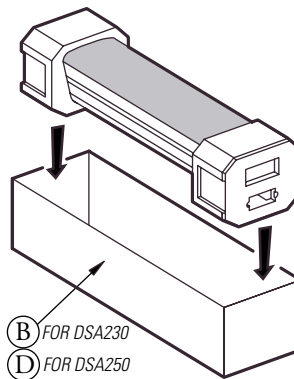
Repackaging the DSA Loudspeakers

NOTE: For clarity these instructions do not show the poly bag (G) around the loudspeaker.

1. Place loudspeaker to be reshipped into the poly bag.
2. Insert a foam end cap (E) onto each end of the loudspeaker

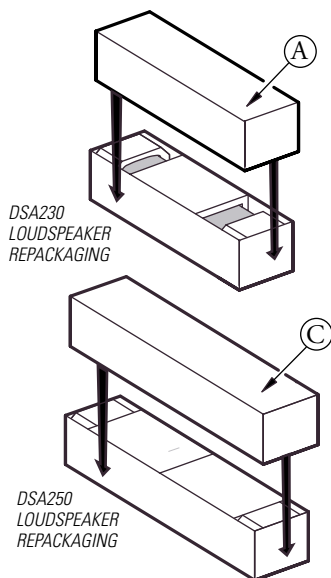


3. Lay the loudspeaker/poly bag /end caps face up into the box.



The DSA230 and the DSA250 loudspeakers differ in length. They are both secured in their packaging by similar parts. The longer DSA250 requires two cardboard top pads (F) and the shorter DSA230 requires only one.

4. Insert the top pad/s (F) over the cradled loudspeaker.
5. If returning the product to EAW or to an authorized EAW distributor, include in the shipping carton:
 - a. If under warranty, proof of the original delivery date or a copy of the original sales receipt.
 - b. A description of the suspected defect or malfunction and the conditions, if any, which caused the problem.
 - c. A return address.
6. Install and secure the cover (A or C).
7. If being returned to EAW, write the RA number so it is prominently displayed on the outside of the shipping carton. Any products received without an assigned RA number that is clearly visible upon arrival at EAW will be refused.



Thank you for purchasing EAW products

If you have questions about DSA Repackaging please contact the EAW Service Department by one of the methods below, or by e-mail at service@eaw.com.



Free Manuals Download Website

<http://myh66.com>

<http://usermanuals.us>

<http://www.somanuals.com>

<http://www.4manuals.cc>

<http://www.manual-lib.com>

<http://www.404manual.com>

<http://www.luxmanual.com>

<http://aubethermostatmanual.com>

Golf course search by state

<http://golfingnear.com>

Email search by domain

<http://emailbydomain.com>

Auto manuals search

<http://auto.somanuals.com>

TV manuals search

<http://tv.somanuals.com>