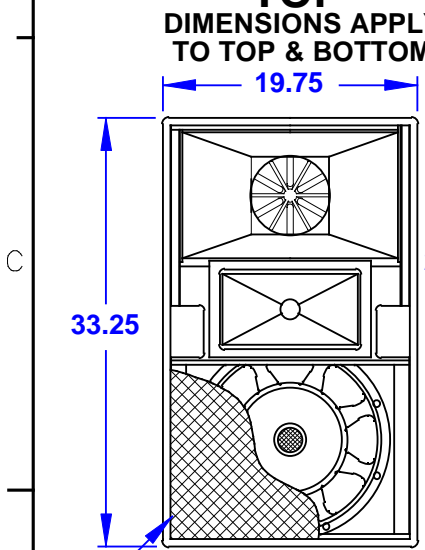


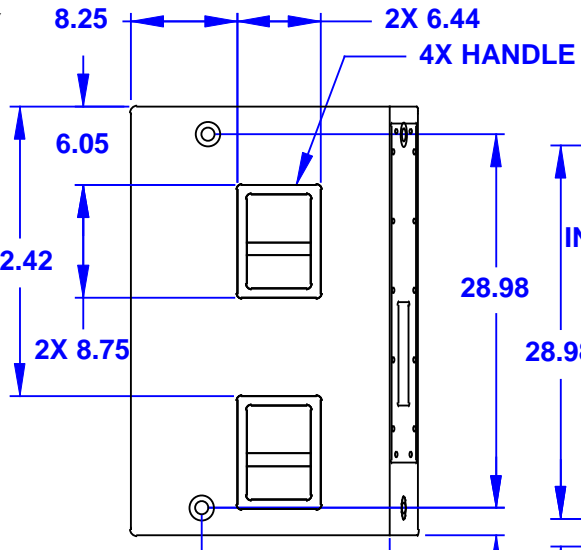
REV	DESCRIPTION	APVD/DATE
0	RELEASE TO PRODUCTION FROM REV A PER DSR #01-297 DM 4/13/01	JWB 4/17/01
1	DIMENSION 12.81 WAS 12.79, DIMENSION 5.94 WAS 5.87 SEE TOP VIEW. DIMENSION 19.75 WAS 19.59 SEE FRONT VIEW. DIMENSION 14.58 WAS 14.65 PER ECO 5274 SS 6/18/01	RS 6/19/01

- NOTES:**
1. SYMBOL INDICATES 3.00 X 1.35 FLYTRACK.
  2. SYMBOL INDICATES MOUNTING POINT, 3/8-16 THREADED HOLE (FLYTRACK).
  3. SYMBOL INDICATES CENTER OF BALANCE.
  4. WEIGHT APPROX. 130 LBS.
  5. SHIPPING WEIGHT APPROX. 141 LBS.

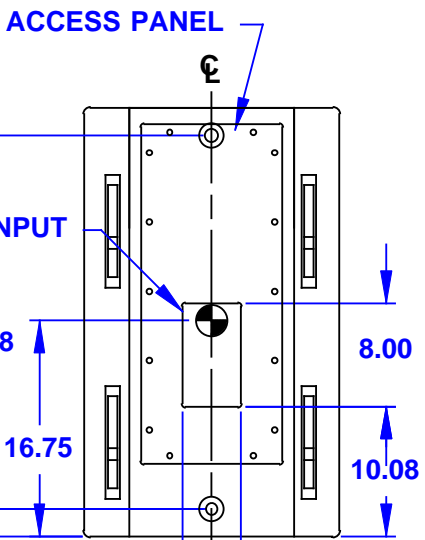
**TOP**  
DIMENSIONS APPLY TO TOP & BOTTOM



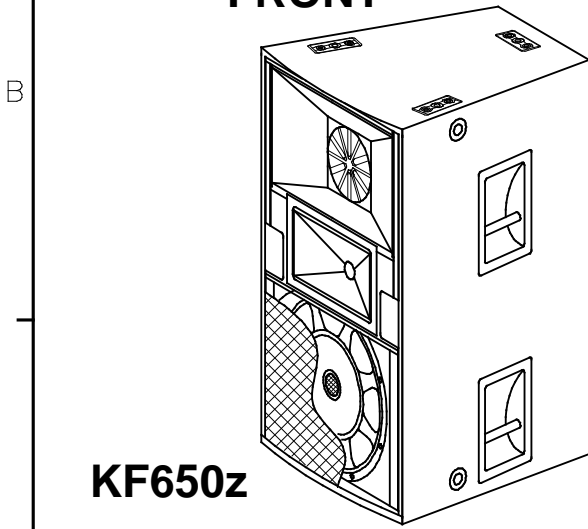
**FRONT**  
GRILLE PARTIALLY SHOWN



**VIEW A-A**  
DIMENSIONS APPLY TO BOTH SIDES



**BACK**



**KF650z**

DOCUMENT CONTROL PER SPECIFICATION 4.5.201

THIRD ANGLE PROJECTION

THIS DRAWING IS THE PROPERTY OF EAW AND SHALL NOT BE COPIED, REPRODUCED, OR USED AS THE BASIS FOR MANUFACTURE OR SALE OF APPARATUS WITHOUT WRITTEN AUTHORIZATION. DO NOT SCALE DRAWING.

UNLESS OTHERWISE SPECIFIED: ALL DIMENSIONS ARE IN INCHES

TOLERANCE IN INCHES  
.XX ± .13  
ANGLES ± 1°

(X.XX) = REF DIMS  
NO TOLERANCE IMPLIED

T.S.C.=THEORETICAL SHARP CORNER

DIMENSIONS ACROSS CENTERLINES TO BE SYMMETRICAL

STATUS: <b>PRODUCTION</b>	
APPROVALS	DATE
DRAWN: DM	3/27/01
CHECKED: JWB	4/17/01
DES ENG: ZC	4/17/01
MFG ENG: DBD	4/23/01

**EAW** EASTERN ACOUSTIC WORKS  
ONE MAIN STREET  
WHITINSVILLE, MA 01588 USA

TITLE:  
CABINET/FINISHED/BLACK/KF650z  
[MECHANICAL SPECIFICATION]

**A** SHEET 1 OF 1 SCALE: 1 TO 14

DRAWING NUMBER: 509097 REVISION: 1

## Free Manuals Download Website

<http://myh66.com>

<http://usermanuals.us>

<http://www.somanuals.com>

<http://www.4manuals.cc>

<http://www.manual-lib.com>

<http://www.404manual.com>

<http://www.luxmanual.com>

<http://aubethermostatmanual.com>

Golf course search by state

<http://golfingnear.com>

Email search by domain

<http://emailbydomain.com>

Auto manuals search

<http://auto.somanuals.com>

TV manuals search

<http://tv.somanuals.com>