



SPECIFICATIONS KF920

DESCRIPTION

A dedicated PPST™ mid frequency system in a trapezoidal enclosure. Includes 3x 10-in mid frequency cone drivers mounted on separate SimplePhase™ horns.

APPLICATION

The KF920 PPST™ LF module is engineered for use in KF900 Series arrays. KF900 Series modules can only be used in arrays and must be integrated with complex PPST™ processing. Six year warranty.

Applications include:

Stadiums Concert Tours

PERFORMANCE

Frequency Response (1 Watt @ 1m)

±3 dB	100 Hz to 1270 Hz
-10 dB	73 Hz to 1400 Hz

Efficiency/Axial Sensitivity (dB SPL, 1 Watt @ 1m)

MF	112
----	-----

Impedance (Ohm)

MF	3x 8
----	------

Power Handling, AES Standard (Watts)

MF	3x 400
----	--------

Recommended Amplifier Power (Watts)

MF	3x 800
----	--------

Calculated Maximum Output Peak/Long Term (dB SPL)

MF Peak	148.0
MF Long Term	143.0

Nominal Coverage Angle/-6 dB points (degrees)

Horizontal	30
Vertical	Beam profile adjustable via PPST processing

Recommended Complementary Systems

Sub	KF940
LF	KF930
Mid/High	KF920/KF910/KF911/KF913



Prototype shown with temporary hardware

PHYSICAL

Part Number	999524
MF Subsystem & Loading System Configuration	3X 10-in horn-loaded cone Dedicated MF, long throw/down fill
Powering Configuration System Crossover	Active processing 100 Hz (LF/MF), 800 Hz to 1300 Hz (MF/LF)
Controls (switches, knobs) Recommended High-Pass Frequency (24 dB/Octave)	100 Hz
Cabinet Type (shape) Enclosure Materials	Trapezoidal Baltic birch plywood
Finish	Black catalyzed polyurethane
Connectors	One each male and female AP6
Suspension Hardware	(16) 3/8"-16 threaded mounting/suspension points (4 each top, bottom and sides)
Grille	Vinyl coated perforated steel, foam backed

Dimensions	inches		millimeters	
	Height	46.00	1168	
Width (Front)	30.00	762		
Width (Rear)	8.56	217		
Depth	40.00	1016		
Trapezoid Angle	15° per side			

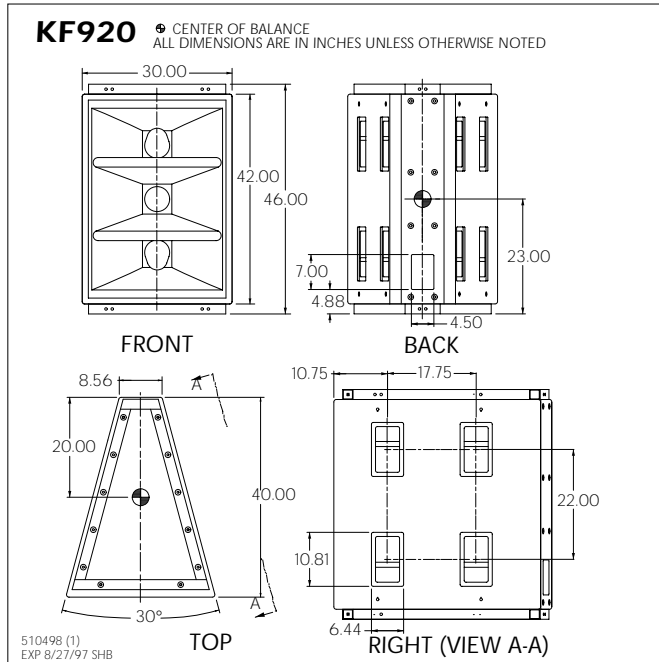
Weights	pounds		kilograms	
	Net Weight	308	140.1	
Shipping Weight	316	143.8		





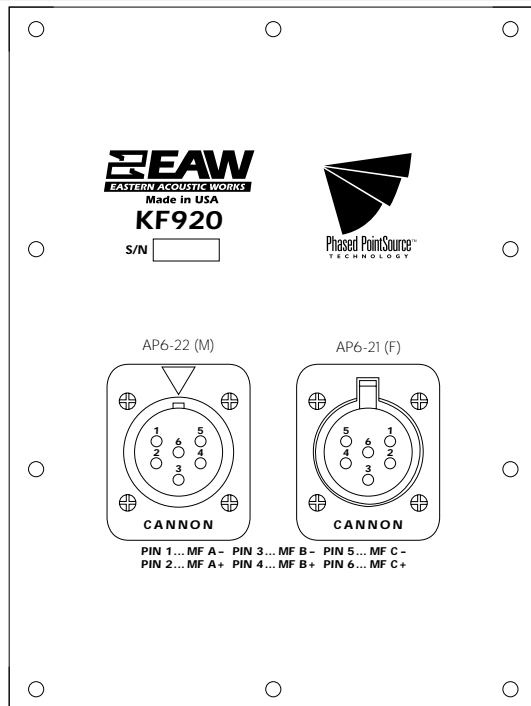
SPECIFICATIONS KF920

DIMENSIONAL DRAWING



Manufacturing tolerances are +/-0.13 and +/-1°

INPUT PLATE



A & E SPECIFICATIONS

The dedicated mid frequency module shall incorporate 3x horn-loaded 10-in MF transducers. The module shall have a nominal horizontal coverage pattern of 30°. The module's vertical beam profile shall be adjustable via complex digital signal processing. The module shall be integrated with complementary frequency-specific modules into a single acoustical unit via complex digital signal processing.

The module shall be equipped with a switch to control an internal passive filter network providing processing appropriate to the modules use in an inner or outer array column. Module frequency response shall vary no more than ±3 dB from 100 Hz to 1.27 kHz measured on axis. The module shall produce a Sound Pressure Level (SPL) of 112 dB SPL on axis at 1 meter with a power input of 1 Watt, and shall be capable of producing a peak output of 148 dB SPL on axis at 1 meter. Each driver shall handle 400 Watts of amplifier power (AES Standard) and shall have a nominal impedance of 8 Ohms.

The loudspeaker enclosure shall be trapezoidal in shape. It shall be constructed of 1/2-in thickness void-free cross-grain-laminated Baltic birch plywood and shall employ extensive internal bracing. It shall be finished in black catalyzed polyurethane. Input connectors shall be one each male and female AP6. The enclosure shall include sixteen 3/8"-16 threaded mounting/suspension points (4 each top, bottom and sides). The front of the loudspeaker shall be covered with a vinyl coated perforated steel grille backed with open cell foam to protect against dust.

The long throw/downfill mid frequency module shall be the EAW model KF920.



Free Manuals Download Website

<http://myh66.com>

<http://usermanuals.us>

<http://www.somanuals.com>

<http://www.4manuals.cc>

<http://www.manual-lib.com>

<http://www.404manual.com>

<http://www.luxmanual.com>

<http://aubethermostatmanual.com>

Golf course search by state

<http://golfingnear.com>

Email search by domain

<http://emailbydomain.com>

Auto manuals search

<http://auto.somanuals.com>

TV manuals search

<http://tv.somanuals.com>