



SPECIFICATIONS KF930

DESCRIPTION

A dedicated PPST™ low frequency system in a trapezoidal enclosure. Includes 4x 15-in woofers reverse mounted to optimize driver coupling.

APPLICATION

The KF930 PPST™ LF module is engineered for use in KF900 Series arrays. KF900 Series modules can only be used in arrays and must be integrated with complex PPST™ processing. Six year warranty.

Applications include:

Stadiums Concert Tours

PERFORMANCE

Frequency Response (1 Watt @ 1m)	±3 dB	38 Hz - 350 Hz
	-10 dB	30 Hz - 400 Hz
Efficiency/Axial Sensitivity (dB SPL, 1 Watt @ 1m)	LF	101
Impedance (Ohm)	LF	2x 4
Power Handling (Watts) AES Standard	LF	2x 2000
Recommended Amplifier Power (Watts)	LF	2x 2000
Calculated Maximum Output (dB SPL)	LF Peak	140.0
	LF Long Term	137.0
Nominal Coverage Angle/-6 dB points (degrees)	Horizontal	Adjustable via PPST™ processing
	Vertical	Adjustable via PPST™ processing
Recommended Complementary Systems	Sub	KF940
	Mid/High	KF920/KF910/KF911/KF913



Prototype shown with temporary hardware

PHYSICAL

Part Number	999550
LF Subsystem & Loading	4X 15-in
System Configuration	Dedicated LF
Powering Configuration	Active processing
System Crossover	200 Hz
Controls (switches, knobs)	Inner/outer column selector
Recommended High-Pass Frequency (24 dB/Octave)	32 Hz
Cabinet Type (shape)	Trapezoidal
Enclosure Materials	Baltic birch plywood
Finish	Black catalyzed polyurethane
Connectors	One each male and female AP6
Suspension Hardware	(16) 3/8"-16 threaded mounting/suspension points (4 each top, bottom and sides)
Grille	Vinyl coated perforated steel, foam backed

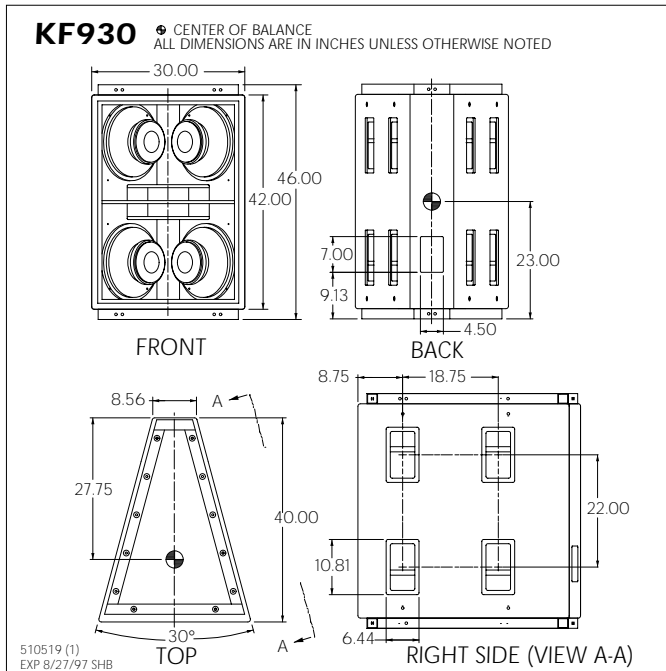
Dimensions	inches	millimeters
Height	46.00	1168
Width (Front)	30.00	762
Width (Rear)	8.56	217
Depth	40.00	1016
Trapezoid Angle	15° per side	
Weights	pounds	kilograms
Net Weight	296	134.7
Shipping Weight	304	138.3





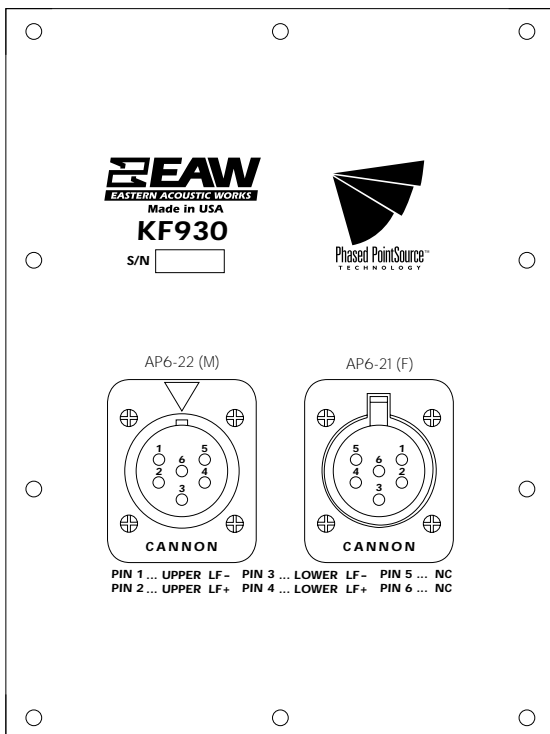
SPECIFICATIONS KF930

DIMENSIONAL DRAWING



Manufacturing tolerances are +/-0.13 and +/-1°

INPUT PLATE



A & E SPECIFICATIONS

The dedicated low frequency module shall incorporate 4x 15-in LF transducers. The LF drivers shall be reverse mounted in horizontal pairs to optimize LF driver coupling. The module's horizontal and vertical beam profiles shall be adjustable via complex digital signal processing. The module shall be integrated with complementary frequency-specific modules into a single acoustical unit via complex digital signal processing.

The module shall be equipped with a switch to control an internal passive filter network providing processing appropriate to the modules use in an inner or outer array column.

Module frequency response shall vary no more than ± 3 dB from 38 Hz to 350 Hz measured on axis. The module shall produce a Sound Pressure Level (SPL) of 101 dB SPL on axis at 1 meter with a power input of 1 Watt, and shall be capable of producing a peak output of 140 dB SPL on axis at 1 meter. Each driver pair shall handle 2000 Watts of amplifier power (AES Standard) and shall have a nominal impedance of 4 Ohms.

The loudspeaker enclosure shall be trapezoidal in shape. It shall be constructed of 1/2-in thickness void-free cross-grain-laminated Baltic birch plywood and shall employ extensive internal bracing. It shall be finished in black catalyzed polyurethane. Input connectors shall be one each male and female AP6. The enclosure shall include sixteen 3/8"-16 threaded mounting/suspension points (4 each top, bottom and sides). The front of the loudspeaker shall be covered with a vinyl coated perforated steel grille backed with open cell foam to protect against dust.

The dedicated low frequency module shall be the EAW model KF930.



Free Manuals Download Website

<http://myh66.com>

<http://usermanuals.us>

<http://www.somanuals.com>

<http://www.4manuals.cc>

<http://www.manual-lib.com>

<http://www.404manual.com>

<http://www.luxmanual.com>

<http://aubethermostatmanual.com>

Golf course search by state

<http://golfingnear.com>

Email search by domain

<http://emailbydomain.com>

Auto manuals search

<http://auto.somanuals.com>

TV manuals search

<http://tv.somanuals.com>