



# TECHNICAL SPECIFICATIONS LA118z

## DESCRIPTION

A dedicated subwoofer with an 18-in transducer in a vented trapezoidal enclosure.

## APPLICATIONS

The LA118z subwoofer is engineered to complement the LA Series full range systems. Recessed cups on the top accept the footpads of an LA325 or another LA118z. For maximum LF extension, use properly configured MX Series processors. Optional caster pallet. Six year warranty.

Applications include:

- Ballroom Events
- Corporate Events
- Band PA

## DESCRIPTIVE DATA

Part Number	997213
Product Group	L
Components & Loading	1x 18-in vented
System Configuration	Dedicated subwoofer
Recommended High-Pass Frequency (24 dB/Octave)	25Hz
Cabinet Type (shape)	Trapezoidal with arched (radiused) grille
Enclosure Materials	Baltic birch plywood
Finish	Black catalyzed polyurethane
Connectors	2x Neutrik NL4 Speakon
Grille	Vinyl coated perforated steel
Options	CP118z caster pallet



## NOMINAL DATA

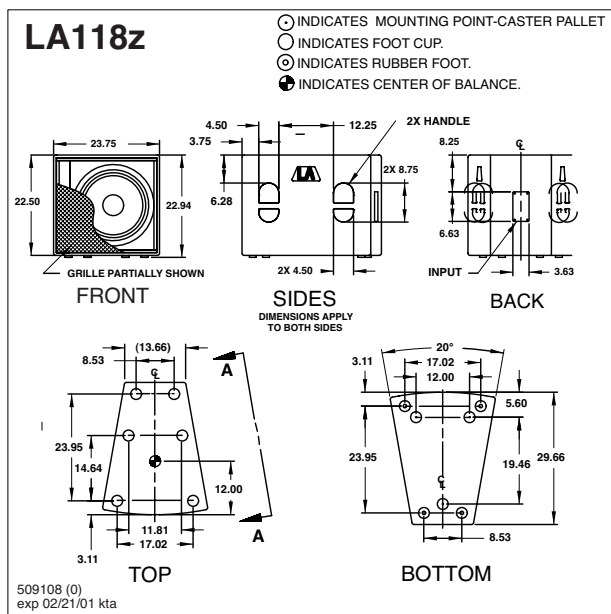
<b>Frequency Response (Hz)</b>		
±3 db	31Hz (40Hz w/out CCEP) to 200Hz	
-10 db	25Hz (27Hz w/out CCEP)	
<b>Axial Sensitivity (dB SPL/1 Watt/1m)</b>		
	95	
<b>Impedance (Ohms)</b>		
	8	
<b>Power Handling (Watts)</b>		
AES Standard	1000	
<b>Calculated Maximum Output (dB SPL)</b>		
Peak	130.0	
Long Term	124.0	
<b>Dimensions</b>		
	<b>inches</b>	<b>millimeters</b>
Height	22.50	572
Width	23.63	600
Depth	29.66	753
Trapezoid Angle	10 degrees per side	
<b>Weights</b>		
	<b>pounds</b>	<b>kilograms</b>
Net Weight	96	43.7
Shipping Weight	103	46.9





# TECHNICAL SPECIFICATIONS LA118z

## DIMENSIONAL DRAWING



## ARCHITECTURAL SPECIFICATIONS

The sub bass loudspeaker systems shall incorporate an 18-in LF transducer mounted in a vented enclosure tuned for optimum low frequency response.

System frequency response shall vary no more than  $\pm 3$  dB from 31 Hz to 200 Hz measured on axis using appropriate signal processing. The loudspeaker shall produce a Sound Pressure Level (SPL) of 95 dB SPL on axis at 1 meter with a power input of 1 Watt, and shall be capable of producing a peak output of 130 SPL on axis at 1 meter. The loudspeaker shall handle 800 Watts of amplifier power (AES Standard) and shall have a nominal impedance of 8 Ohms.

The loudspeaker enclosure shall be trapezoidal in shape. It shall be constructed of 1/2-in thickness void-free cross-grain-laminated Baltic birch plywood and shall employ extensive internal bracing. It shall be finished in black catalyzed polyurethane. Input connectors shall be dual Neutrik NL4 Speakon. The front of the loudspeaker shall be covered with a vinyl coated perforated steel grille.

The sub bass loudspeaker shall be the EAW model LA118z.

## SERVICE ITEMS

**Sub: Complete Cone Driver**

EAW Part No. 804064

## Free Manuals Download Website

<http://myh66.com>

<http://usermanuals.us>

<http://www.somanuals.com>

<http://www.4manuals.cc>

<http://www.manual-lib.com>

<http://www.404manual.com>

<http://www.luxmanual.com>

<http://aubethermostatmanual.com>

Golf course search by state

<http://golfingnear.com>

Email search by domain

<http://emailbydomain.com>

Auto manuals search

<http://auto.somanuals.com>

TV manuals search

<http://tv.somanuals.com>