



SPECIFICATIONS MQ1215

FEATURES

- Low frequency array module
- Two 15 inch woofers
- Engineered to array with MQ1300 MF/HF modules
- For permanent installation only
- Digital signal processor required for specified performance

DESCRIPTION

The MQ1215 uses two direct radiating 15 inch cones mounted in a vented trapezoidal enclosure. Its frequency response has been optimized for use as a dedicated low frequency system when used with a companion MQ mid/high loudspeaker. Each driver has its own connections on the input panel. This allows the drivers to be connected in parallel to one amplifier channel or connected individually to separate amplifier channels. The enclosure features a comprehensive system of 3/8"-16 threaded suspension points.

APPLICATION

The MQ Series comprises matched sets of mid/high and low frequency enclosures with complementary dimensions. This facilitates creating attractive arrays that provide high definition sound within tightly controlled coverage areas. The MQ1215 is designed to work with a complementary MQ1300 Series mid/high loudspeaker to create a full range audio system. The enclosure is vertically configured for arraying in horizontal rows. Horizontal arrays are typically used in venues where the array must address wide, fan-shaped audiences.

The most common array configuration is two MQ1364e's or MQ1366e's separated by a single MQ1215. In such an array, the MQ1364e's or MQ1366e's should be splayed 25° to either side of the MQ1215, netting a splay angle of 50° between mid/high modules. When arraying two MQ1394e's separated by a single MQ1215, all enclosures should be tight-packed to achieve optimal coverage. This configuration will net a splay angle of 80° between mid/high modules. All splay angles reference the center line of the enclosures.

PERFORMANCE

Frequency Response

±3 dB	50 Hz to 1.3 kHz
-10 dB	40 Hz

Axial Sensitivity (dB SPL, 1 W @ 1 m)

LF	100
----	-----

Impedance (Ohms)

LF1/LF2	8/8
LF Paralleled	4

Power Handling, AES Standard (Watts)

LF1/LF2	800/800
LF Paralleled	1600

Calculated Maximum Output (dB SPL)

LF Peak	138
LF Long Term	132



Nominal Coverage Angle/-6 dB points (degrees)

Horizontal	160
Vertical	100

Recommended High-Pass Frequency

24 dB/Octave	40 Hz
--------------	-------

PHYSICAL

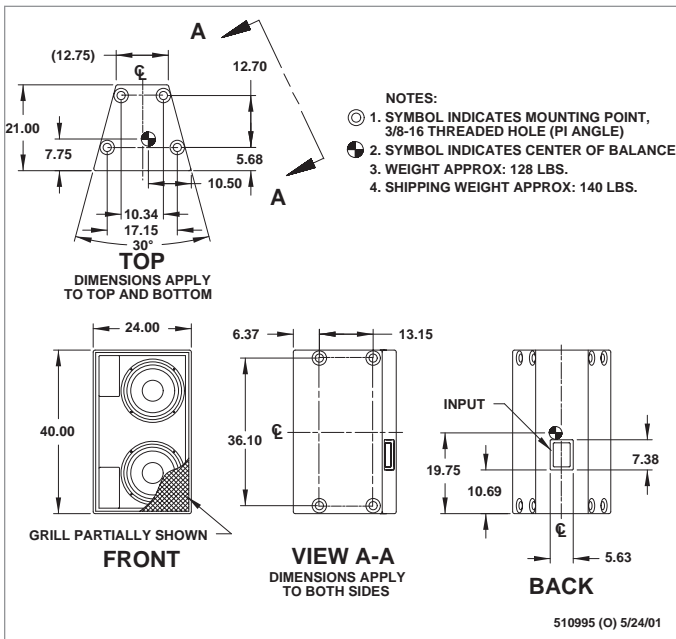
Configuration	Dedicated LF module	
LF Subsystem	2x 15 in woofers	
Enclosure Material	Exterior grade Baltic birch plywood	
Finish	Wear resistant textured black paint	
Connectors	4-contact barrier strip & 1x Neutrik NL4 Speakon	
Suspension Hardware	16x 3/8"-16 threaded mounting/suspension points (4 each top, bottom and sides)	
Grille	Powder coated perforated steel	
Dimensions	inches	millimeters
	Height	40.00 1016
	Width (front)	24.00 610
	Width (rear)	12.75 324
	Depth	21.00 533
Trapezoid Angle	15° per side	
Weights	pounds	kilograms
	Net Weight	128 58.2
	Shipping Weight	140 63.6





SPECIFICATIONS MQ1215

DIMENSIONAL DRAWING



Manufacturing tolerances are +/- 0.13 and +/- 1°

A & E SPECIFICATIONS

The low frequency loudspeaker system shall incorporate two 15 inch LF transducers. The LF drivers shall be mounted in separate vented subenclosures tuned for optimum low frequency response.

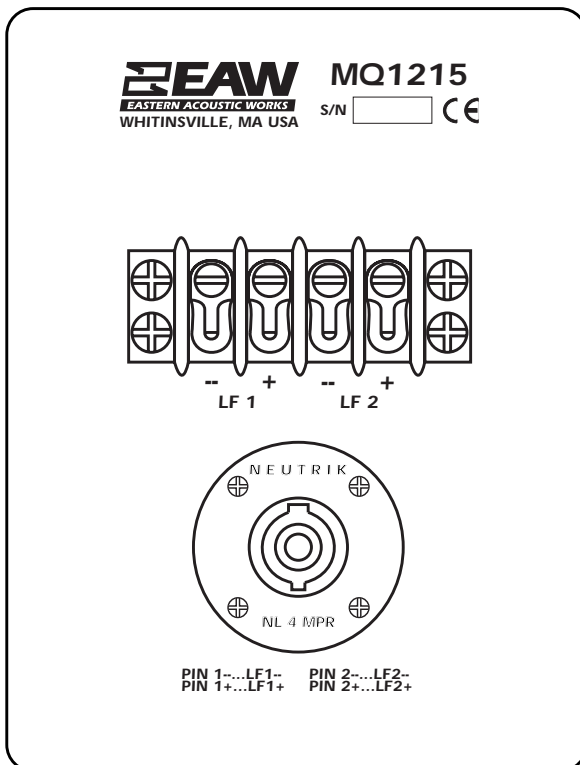
System frequency response shall vary no more than ± 3 dB from 50 Hz to 1300 Hz measured on axis. The loudspeaker shall produce a sound pressure level of 100 dB SPL on axis at 1 meter with a power input of 1 watt, and shall be capable of producing a peak output of 138 SPL on axis at 1 meter. The loudspeaker shall handle 2x 800 watts of amplifier power (AES Standard) and shall have a nominal impedance of 2x 8 ohms.

The loudspeaker enclosure shall be trapezoidal in shape. It shall be constructed of exterior grade Baltic birch plywood and shall employ extensive internal bracing. It shall be finished in wear resistant textured black paint. Input connectors shall be a 4-contact barrier strip and 1x Neutrik NL4 Speakon.

A total of sixteen 3/8"-16 threaded mounting/suspension points (4 each top, bottom, sides) shall be provided. The front of the loudspeaker shall be covered with a powder coated perforated steel grille.

The low frequency loudspeaker shall be the EAW model MQ1215.

INPUT PANEL



Free Manuals Download Website

<http://myh66.com>

<http://usermanuals.us>

<http://www.somanuals.com>

<http://www.4manuals.cc>

<http://www.manual-lib.com>

<http://www.404manual.com>

<http://www.luxmanual.com>

<http://aubethermostatmanual.com>

Golf course search by state

<http://golfingnear.com>

Email search by domain

<http://emailbydomain.com>

Auto manuals search

<http://auto.somanuals.com>

TV manuals search

<http://tv.somanuals.com>