



SPECIFICATIONS MQ1312

FEATURES

- Low frequency loudspeaker system
- Optimized for permanent installation only
- 3x direct radiating 12-in woofers
- Optimized to array with MQ1364, MQ1366 and MQ1394

DESCRIPTION

The new MQ Series represents the next generation of permanent installation loudspeaker systems. The Series comprises matched sets of mid/high and low frequency enclosures that enjoy complementary dimensions and trapezoid angles to facilitate the creation of optimized-coverage arrays. The MQ1312 uses three direct radiating 12-in woofer cones in an optimally tuned, vented enclosure.

APPLICATION

The MQ1312 low frequency module works with the MQ1364, MQ1366 and MQ1394 mid/high modules to create arrays for use in a wide variety of permanently installed applications.

The most common array configuration is 2x MQ1364's or MQ1366's separated by a single MQ1312. In such an array, a certain amount of splay must be provided to achieve optimal coverage.

When arraying 2x MQ1394's separated by a single MQ1312, the modules should be tight packed to achieve optimal coverage. This provides an excellent center channel array for large, fan-shaped venues that use an L/C/R configuration.

All MQ Series enclosures feature a comprehensive system of 3/8"-16 threaded mounting points for maximum flexibility when suspending arrays overhead.

Applications include:

| | |
|-------------------------|------------------------|
| Large Houses of Worship | Arena |
| Stadiums | Theater |
| | Performing Arts Center |

PERFORMANCE

Frequency Response (1 W @ 1m)

| | |
|--------|------------------|
| ±3 dB | 50 Hz to 1.6 kHz |
| -10 dB | 40 Hz |

Axial Sensitivity (dB SPL, 1 Watt @ 1m)

| | |
|----|-----|
| LF | 100 |
|----|-----|

Impedance (Ohms)

| | |
|----|------|
| LF | 3x 8 |
|----|------|

Power Handling, AES Standard (Watts)

| | |
|----|------|
| LF | 1500 |
|----|------|

Calculated Maximum Output (dB SPL)

| | |
|--------------|-------|
| LF Peak | 137.8 |
| LF Long Term | 131.8 |



Nominal Coverage Angle/-6 dB points (degrees)

| | |
|------------|-----|
| Horizontal | 160 |
| Vertical | 60 |

Recommended High-Pass Frequency

| | |
|--------------|-------|
| 24 dB/Octave | 40 Hz |
|--------------|-------|

PHYSICAL

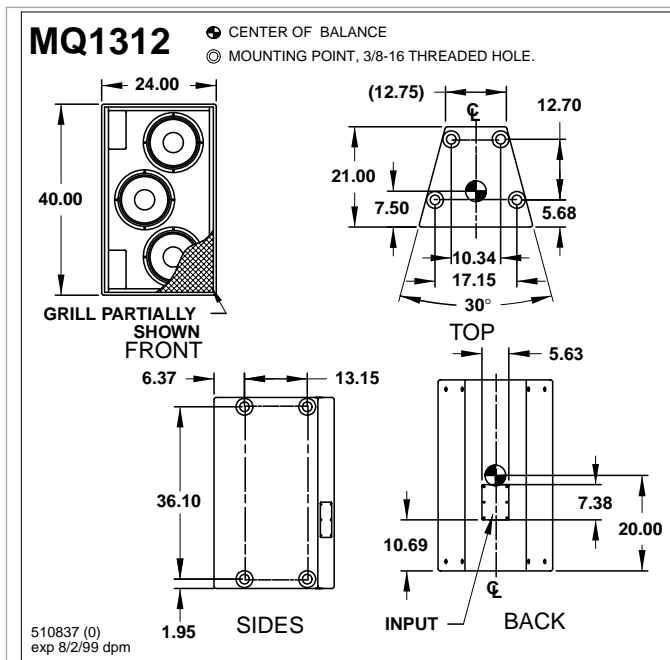
| | | |
|----------------------|---|-------------|
| Configuration | Dedicated low frequency loud speaker | |
| LF Subsystem | 3x 12-in woofers | |
| Cabinet Type (shape) | Trapezoid | |
| Enclosure Materials | Baltic birch plywood | |
| Finish | Black polyurethane | |
| Connectors | 6-terminal barrier strip & 2x Neutrik NL4 Speakon | |
| Suspension Hardware | (16) 3/8"-16 threaded mounting suspension points (4 each top, bottom and sides) | |
| Grille | Powder coated perforated steel | |
| Dimensions | inches | millimeters |
| | Height | 40 / 1016 |
| | Width (front) | 24 / 610 |
| | Width (rear) | 12.75 / 324 |
| | Depth | 21 / 533 |
| Trapezoid Angle | 30° | |
| Weights | pounds | kilograms |
| | Net Weight | 125 / 56.9 |
| | Shipping Weight | 131 / 56.6 |





SPECIFICATIONS MQ1312

DIMENSIONAL DRAWING



Manufacturing tolerances are +/- 0.13 and +/- 1°

A & E SPECIFICATIONS

The low frequency loudspeaker systems shall incorporate 3x 12-in LF transducers. The LF drivers shall be mounted in separate vented subenclosures tuned for optimum low frequency response.

System frequency response shall vary no more than ± 3 dB from 50 Hz to 1600 Hz measured on axis. The loudspeaker shall produce a Sound Pressure Level (SPL) of 100 dB SPL on axis at 1 meter with a power input of 1 Watt, and shall be capable of producing a peak output of 137.8 SPL on axis at 1 meter. The loudspeaker shall handle 1500 Watts of amplifier power (AES Standard) and shall have a nominal impedance of 3x 8 Ohms. The loudspeaker enclosure shall be trapezoidal in shape. It shall be constructed of 1/2-in thickness void-free cross-grain-laminated Baltic birch plywood and shall employ extensive internal bracing. It shall be finished in black polyurethane. Input connectors shall be a 6-terminal barrier strip and 2x Neutrik NL4 Speakon with connections as follows (LF1 is top-most driver, LF3 is lowest):

| | | |
|------------|------------|-------------|
| | NL4 (left) | NL4 (right) |
| Pins 1 +/- | LF1 +/- | LF3 +/- |
| Pins 2 +/- | LF2 +/- | LF4 N/C |

A total of sixteen 3/8"-16 threaded mounting/suspension points (4 each top, bottom, sides) shall be provided. The front of the loudspeaker shall be covered with a powder coated perforated steel grille.

The low frequency loudspeaker shall be the EAW model MQ1312.



Free Manuals Download Website

<http://myh66.com>

<http://usermanuals.us>

<http://www.somanuals.com>

<http://www.4manuals.cc>

<http://www.manual-lib.com>

<http://www.404manual.com>

<http://www.luxmanual.com>

<http://aubethermostatmanual.com>

Golf course search by state

<http://golfingnear.com>

Email search by domain

<http://emailbydomain.com>

Auto manuals search

<http://auto.somanuals.com>

TV manuals search

<http://tv.somanuals.com>