



# SPECIFICATIONS MQTD812

## DESCRIPTION

A unique 2 way bass system employing Tuned Dipolar Array Technology. Includes 4x 12" Woofers (vented) and 4x 8" woofers (sealed) in a trapezoidal enclosure.

## APPLICATION

The MQTD812 uses patented Tuned Dipolar Array (TDA) Technology to achieve unprecedented LF directivity in the vertical plane without enormous horns or baffles. The compact, high output LF system works with MQ Series mid/high modules to create true 3-way arrays in large format installations. A powerful tool where LF directivity is required. Six year warranty.

Applications include:

- Stadiums      Arenas      Dance Clubs
- Theaters      Performing Arts Centers
- Large Houses of Worship

## PERFORMANCE

<b>Frequency Response (1 Watt @ 1m)</b>		
±3 dB	58 Hz to 500 Hz	
-10 dB	48 Hz	
<b>Axial Sensitivity (dB SPL, 1 Watt @ 1m)</b>		
12-in	104	
8-in	104	
<b>Impedance (Ohms)</b>		
12-in	2x 4	
8-in	2x 6	
<b>Power Handling, AES Standard (Watts)</b>		
12-in	2000	
8-in	800	
<b>Calculated Maximum Output (dB SPL)</b>		
12-in Peak	143.0	
8-in Peak	139.0	
12-in Long Term	137.0	
8-in Long Term	133.0	
<b>90° Off -Axis Rejection</b>		
Vertical	10-12dB Attenuation 160-500 Hz	



## PHYSICAL

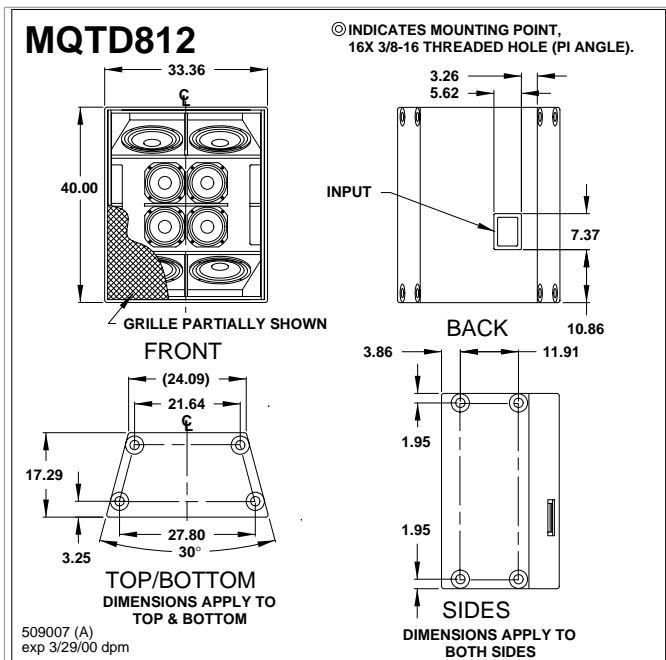
LF Subsystem	4x 12-in, vented 4x 8-in, sealed	
Configuration	Dedicated LF tuned dipolar array	
Powering Mode	Bi-amplified	
Cabinet Type (shape)	Trapezoidal	
Enclosure Materials	Baltic birch plywood	
Finish	Wear-resistant textured black paint	
Connectors	2x 4-Terminal barrier strip	
Suspension Hardware	(16) 3/8"-16 threaded mounting points (4 each top, bottom, and sides)	
Grille	Powder coated perforated steel	
<b>Dimensions</b>	<b>inches</b>	<b>millimeters</b>
	Height	40.00      1016
	Width (front)	33.36      847
	Width (rear)	24.09      612
	Depth	17.29      439
<b>Weights</b>	Trapezoid Angle	15°
	<b>pounds</b>	<b>kilograms</b>
	Net Weight	230.1      04.3
Shipping Weight	250      113.4	





# SPECIFICATIONS MQTD812

## DIMENSIONAL DRAWING



Manufacturing tolerances are +/- 0.13 and +/- 1°

## A & E SPECIFICATIONS

The dual bi-amplified dedicated low frequency loudspeaker systems shall incorporate a four 12-in LF transducers and four 8-in LF transducers. The 12-in drivers shall be powered as two pairs, as shall the 8-in drivers. The system shall require an active external crossover at 250 Hz, 24dB Octave between the 8-in and 12-in drivers.

The 12-in drivers shall be mounted in a vented enclosure tuned for optimum low frequency response. The 8-in drivers shall be mounted in a sealed subenclosure. The four driver pairs shall be spaced to create a dipolar array such that the total system shall provide 10 - 12 dB attenuation from 160 to 500 Hz at 90° off-axis (vertical).

System frequency response shall vary no more than  $\pm 3$  dB from 58 to 500 Hz measured on axis. The 12-in drivers shall produce a Sound Pressure Level (SPL) of 104 dB SPL on axis at 1 meter with a power input of 1 Watt, and shall be capable of producing a peak output of 143.0 dB SPL on axis at 1 meter. The 12-in drivers shall handle 2000 Watts of amplifier power (AES Standard) and shall have nominal impedances of 2x 4 Ohms.

The 8-in drivers shall produce a Sound Pressure Level (SPL) of 104 dB SPL on axis at 1 meter with a power input of 1 Watt, and shall be capable of producing a peak output of 139 dB SPL on axis at 1 meter. The 8-in drivers shall handle 800 Watts of amplifier power (AES Standard) and shall have nominal impedances of 2x 6 Ohms.

The loudspeaker enclosure shall be trapezoidal in shape. It shall be constructed of 1/2-in thickness void-free cross-grain-laminated Baltic birch plywood and shall employ extensive internal bracing. It shall be finished in wear-resistant textured black paint. Input connector shall be 2x 4-terminal barrier strips. A total of sixteen 3/8"-16 threaded mounting points (4 each top, bottom and sides) shall be provided. The front of the loudspeaker shall be covered with a powder coated perforated steel grille.

The dual bi-amplified dedicated low frequency loudspeaker systems shall be the EAW model MQTD812.



## Free Manuals Download Website

<http://myh66.com>

<http://usermanuals.us>

<http://www.somanuals.com>

<http://www.4manuals.cc>

<http://www.manual-lib.com>

<http://www.404manual.com>

<http://www.luxmanual.com>

<http://aubethermostatmanual.com>

Golf course search by state

<http://golfingnear.com>

Email search by domain

<http://emailbydomain.com>

Auto manuals search

<http://auto.somanuals.com>

TV manuals search

<http://tv.somanuals.com>