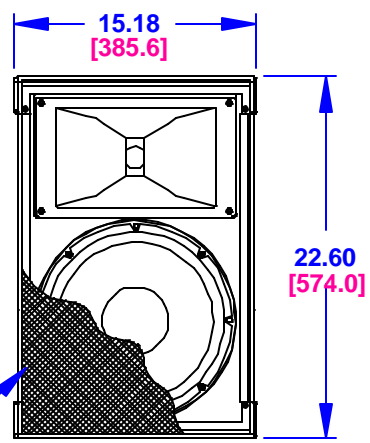


REV	DESCRIPTION	APVD/DATE
A	RELEASED TO PRODUCTION FROM REV 1 PROTOTYPE PER DSRWHT6090 DM 4/25/05	RS 4/27/05
B	NOTE 3: CHANGED 52.50 lb [23.6 kg] TO 53 lb [24.0 kg]; NOTE 4: CHANGED 58.50 lb [26.3 kg] TO 59 lb [26.8 kg] PER ECOWHT3903 KL 8/23/05	RS 8/23/05

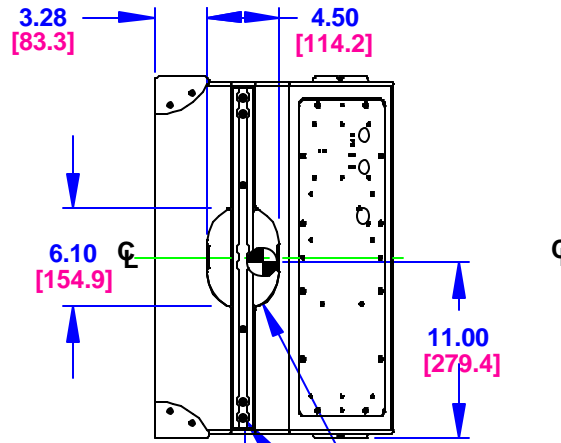
- NOTES:**
1. SYMBOL INDICATES CENTER OF BALANCE.
  2. SYMBOL INDICATES MOUNTING POINT, 5/16-18 T-NUT FOR OMNI MOUNT SERIES 120.0
  3. WEIGHT APPROX. 53 lb [24.0 kg]
  4. SHIPPING WEIGHT APPROX. 59 lb [26.8 kg]

**NT29**

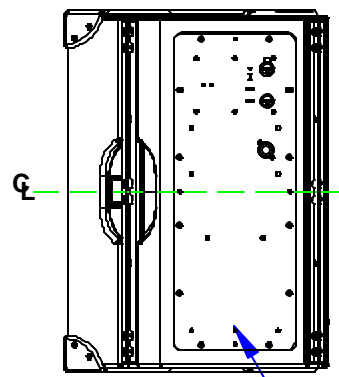
**TOP**



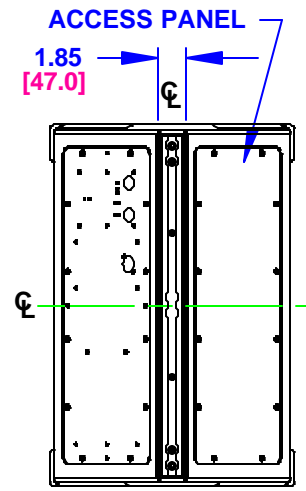
GRILLE PARTIALLY SHOWN  
**FRONT**



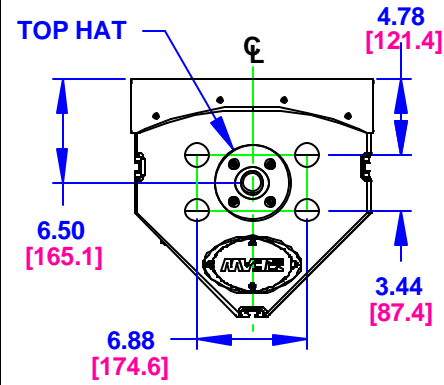
**RIGHT SIDE**  
DIMENSIONS APPLY TO BOTH SIDES



**VIEW A-A**



**BACK**



**BOTTOM**

THIRD ANGLE PROJECTION

THIS DRAWING IS THE PROPERTY OF EAW AND SHALL NOT BE COPIED, REPRODUCED, OR USED AS THE BASIS FOR MANUFACTURE OR SALE OF APPARATUS WITHOUT WRITTEN AUTHORIZATION. DO NOT SCALE DRAWING.

UNLESS OTHERWISE SPECIFIED ALL DIMENSIONS ARE: INCHES [MILLIMETERS]

TOLERANCES  
 LINEAR  $\pm 0.13 \text{ in} / \pm 3.3 \text{ mm}$   
 ANGLES  $\pm 1^\circ$

(X.XX) = REF DIMS  
 NO TOLERANCE IMPLIED

TSC=THEORETICAL SHARP CORNER  
 DIMENSIONS ACROSS CENTERLINES TO BE SYMMETRICAL

STATUS: PRODUCTION	
APPROVALS	DATE
DRAWN: J. DUGAN	2/18/05
CHECKED: KFH	4/29/05
DES ENG: NB	4/29/05
MFG ENG: SM	4/29/05

**EAW** EASTERN ACOUSTIC WORKS  
 ONE MAIN STREET  
 WHITINSVILLE, MA 01588 USA

TITLE: CABINET/FINISHED/BLACK/RB  
 NT29  
 [MECHANICAL SPECIFICATION]

**A** SHEET 1 OF 1 SCALE: 1 TO 12

DRAWING NUMBER: 0014782 REVISION: B

DOCUMENT CONTROL PER SPECIFICATION 4.5.201

## Free Manuals Download Website

<http://myh66.com>

<http://usermanuals.us>

<http://www.somanuals.com>

<http://www.4manuals.cc>

<http://www.manual-lib.com>

<http://www.404manual.com>

<http://www.luxmanual.com>

<http://aubethermostatmanual.com>

Golf course search by state

<http://golfingnear.com>

Email search by domain

<http://emailbydomain.com>

Auto manuals search

<http://auto.somanuals.com>

TV manuals search

<http://tv.somanuals.com>