



# SPECIFICATIONS KF760

## DESCRIPTION

The KF760 is part of the KF760 Line Array Series. The KF760 Series uses advanced divergence shading where all loudspeakers are powered at equal level. A full KF760/KF761 array can provide uniform sound coverage from directly beneath itself out to hundreds of feet without complex signal processing. Vertical coverage for the array is set by varying the splay of the rear of the enclosures, leaving the fronts tight-packed. This configuration produces a continuous, coherent wavefront from the array, projecting extended range, high-resolution sound over its full coverage area.

Quality construction features include, Baltic birch plywood enclosures, heavy-duty steel grilles, Neutrik NL8 connectors, heavy duty bar handles, rear hand-holds, and accessory cast-er pallets. Six Year Warranty.

## APPLICATION

This high output touring system is scalable from theaters under 1,000 seats to stadiums. The KF760 is used as the short to long throw element of a KF760 Series line array providing coverage in the range of 70 to 400 feet. The KF761 supplements the KF760s to provide near-field coverage for distances less than 70 feet. The recommended minimum KF760/KF761 array size is four enclosures. For full performance eight enclosures are recommended. To extend the low frequency response, KF940 SuperSubs™ make an ideal complement to the KF760 Series.

Applications include:

Arenas	Convention Centers	Large Ballrooms
Stadiums	Theaters	Music Pavilions
Auditoriums	Outdoor Events	

## PERFORMANCE

### Frequency Response (Hz)

±3 dB (1) Enclosure Array 80 Hz to 16 kHz

±3 dB (8) Enclosure Array 40 Hz to 16 kHz

### Axial Sensitivity (dB SPL, 1 Watt @ 1m)

LF Single Enclosure 96

MF Single Enclosure 108

HF Single Enclosure 113

LF (8) Enclosure Array 106

MF (8) Enclosure Array 125

HF (8) Enclosure Array 117

### Impedance (Ohms)

LF 2x 8

MF 8 (2@ 16 Ohm each)

HF 8 (2@ 16 Ohm each)



### Power Handling (Watts Continuous)

LF 2000

MF 800

HF 300

### Recommended High-Pass Frequency

24dB/Octave 40 Hz

### Calculated Maximum Output (dB SPL @ 1m)

#### Single Enclosure

LF Peak/Long Term 135/129

MF Peak/Long Term 142/136

HF Peak/Long Term 144/138

#### Eight (8) Enclosure Array

LF Peak/Long Term 154/148

MF Peak/Long Term 169/163

HF Peak/Long Term 156/150

### Nominal Coverage Angle -6 dB points (degrees)

Horizontal 80

Maximum Vertical Splay 3

## PHYSICAL

Product Group S

System Configuration 3-way, full range

Powering Tri-amplified

LF Subsystem 2x 12-in woofers, horn-loaded

MF Subsystem 2x 10-in cone, Radial Phase Plug™, horn-loaded

HF Subsystem 2x 2-in exit/3-in voice coil compression driver, horn-loaded

Enclosure (shape) Horizontal trapezoid

Enclosure Materials Exterior grade Baltic birch plywood, urethane

Finish Wear-resistant black textured paint

Connectors 2x Neutrik NL8

Suspension Hardware Proprietary EAW rigging system

Grille Powder coated perforated steel

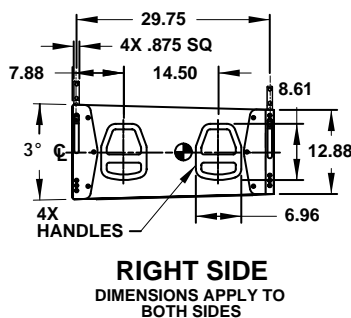
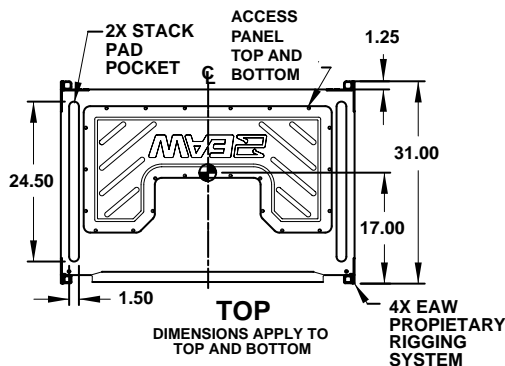
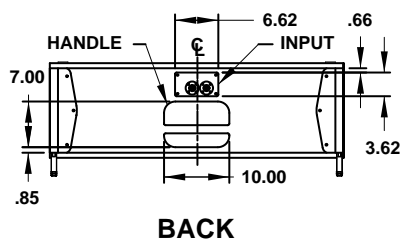
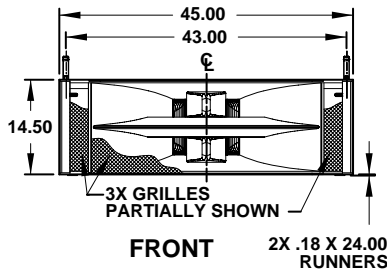




# SPECIFICATIONS KF760

## DIMENSIONAL DRAWING

⊕ SYMBOL INDICATES CENTER OF BALANCE.



## A & E SPECIFICATIONS

The tri-amplified, three-way full range loudspeaker system shall incorporate 2x 12-in LF transducers, 2x 10-in horn-loaded cone transducers with Radial Phase Plug™ and 2x 2-in exit/3-in voice coil compression drivers also horn-loaded.

The LF transducers shall each be loaded into a proprietary bent-horn, with the horn mouths horizontally separated to provide controlled off-axis cancellations to match the MF beamwidth through the crossover region. The MF transducers shall both be coupled into a single large format horn. The HF transducers shall each be coupled to an HF horn coaxially mounted with, and extended by, the MF horn. The system shall have a nominal dispersion pattern of 80° (h) when used as part of a KF760 line array.

System frequency response shall vary no more than  $\pm 3$  dB from 80Hz to 16kHz measured on axis. The single loudspeaker's subsystems (LF/MF/HF) shall produce Sound Pressure Level (SPL) of 96/108/113 dB SPL on axis at 1 meter with a power input of 1 Watt, and shall be capable of producing a peak output of 135/142/144 dB SPL on axis at 1 meter. The eight (8) enclosure array loudspeaker subsystems (LF/MF/HF) shall produce SPL of 106/125/117 dB SPL on axis at 1 meter with a power of 1 Watt, and shall be capable of a peak output of 154/169/156 dB SPL on axis at 1 meter. The subsystems (LF/MF/HF) shall handle 2000/800/300 Watts of amplifier power (continuous) and shall have nominal impedances of 2x 8/8/8 Ohms.

The loudspeaker enclosure shall be trapezoidal in shape. It shall be constructed of void-free cross-grain-laminated Baltic birch plywood, and shall employ extensive internal bracing. It shall be finished in wear-resistant textured black paint. Input connector shall be a Neutrik NL8 with an additional NL8 provided for connect through. Proprietary rigging is provided for arraying. The front of the loudspeaker shall be covered with a powder coated perforated steel grille.

The tri-amplified, three-way full range loudspeaker system shall be the EAW model KF760.

## PHYSICAL continued

Dimensions	inches	millimeters
Front Height	14.5	368
Rear Height	12.9	327
Width	45.0	1143
Depth	31.0	787
Trapezoid Angle	1.5 degrees top & bottom	
Weights	pounds	kilograms
Net Weight	241	109.3
Shipping Weight	251	113.9

509120 (0)  
6/28/01

Manufacturing tolerances are +/- 0.13 and +/- 1°



## Free Manuals Download Website

<http://myh66.com>

<http://usermanuals.us>

<http://www.somanuals.com>

<http://www.4manuals.cc>

<http://www.manual-lib.com>

<http://www.404manual.com>

<http://www.luxmanual.com>

<http://aubethermostatmanual.com>

Golf course search by state

<http://golfingnear.com>

Email search by domain

<http://emailbydomain.com>

Auto manuals search

<http://auto.somanuals.com>

TV manuals search

<http://tv.somanuals.com>