

DESCRIPTION

The EAW Commercial CAM80 is an integrated audio mixer and power amplifier outfitted with comprehensive input/output facilities and feature sets to provide exceptional versatility from a highly cost-effective package. Designed for a wide range of fixed installation applications, the CAM80 offers “all in one” functionality without need for add-ons such as expansion modules.

The CAM80 is equipped with six actively balanced combination mic/line inputs as well as individual adjustable potentiometers for line level input, mic level input and mic level input with 24-volt DC phantom power. Input 1 also offers the flexibility of an integrated transformer for connection to telephone paging systems.

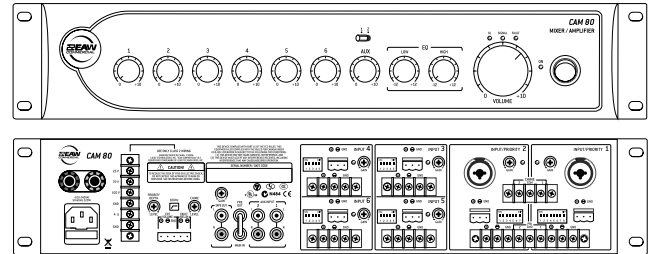
Inputs 1 and 2 are divided into four discrete input sections: a combination XLR/TRS connector, Phoenix connector, or terminal strip. Meanwhile, Inputs 3, 4, 5 and 6 offer both Phoenix connectors and terminal strips. Two pairs of RCA connectors allow unbalanced auxiliary (Aux) signals to enter the amplifier via Aux 1 and Aux 2, both of which are attenuated by a potentiometer on the front of the amplifier.

Two levels of priority can be established on Inputs 1 and 2, initiated with external contact closures or adjustable signal threshold levels. External volume control is possible through a Phoenix connector and user supplied potentiometer. A two-position Phoenix connector allows the internal fault relay to be connected to redundant systems. And, an adjustable pre-announcement chime is also included.

Front panel controls include a level control for each input, a toggle switch for Aux 1 or Aux 2 selection, and one Aux master level control for the selected Aux. Low and high EQ controls offers 12 dB of boost or cut at 100 Hz and 10 kHz, respectively. A master volume control affords output volume control, while distinctive LEDs indicate power (green), signal (amber), overload (red), and fault (red).

The CAM80 provides 80 watts of output power at 100 volts, 70.7 volts, 25 volts and 4 Ohms. An intelligent output stage is fully protected against permanent damage caused by overloading, shorts and thermal faults.

The CAM80 will operate on 100 volts to 240 volts AC power (50/60 Hz), and is supplied by a detachable IEC power cord. A combination banana plug/binding post connection is also provided for connecting an external 24-volt DC backup battery.



Features

- Two combination 1/4-inch/XLR/Phoenix, or barrier strip Mic/Line inputs
- Four Phoenix connector or barrier strip Mic/Line inputs
- Selectable 24-volt phantom power
- Two stereo auxiliary inputs
- Multiple priority levels
- Transformer-balanced telephone paging on Input 1
- Signal processing loop
- Internal fault-activated relay
- External volume control
- 4-Ohm, 25-volt, 70-volt and 100-volt outputs
- Automatic changeover to 24-volt DC backup power
- Universal power supply
- UL Approved

Applications

- Paging Systems
- Hotel and Ballrooms
- Schools
- Foreground/Background Music Systems
- Houses of Worship
- Meeting Rooms
- Offices

PERFORMANCE

Input 1-8 (balanced / unbalanced)

	Impedance
Mic	Balanced, 2.7k Ohm
Line	Balanced, 30k Ohm
Aux	Unbalanced, 15k Ohm

Input Protection

RFI and Level Protected

Input Gain Trim Range

-3dB to 40dB (Mic Input)
-23dB to 20dB (Line input)

Max Input Level

+19dBV

Microphone Input E.I.N. (20Hz – 20kHz)

-124dBV

Common Mode Rejection Ratio (1kHz)

Mic Input 60dB Typical
Line Input 30dB Typical

Dynamic Range

105dB

Frequency Response

20Hz – 20kHz +/-1dB

Distortion

<0.1% 20Hz – 20kHz

Operating Range (+0dB/- 3dB)

40Hz – 15kHz

Output Power

80W @ 100V
80W @ 70.7V
80W @ 25V
80W @ 4 Ohm

PHYSICAL

Front Controls

	Type	Range
Inputs 1-6	Level	0 to 10
Aux 1 and 2	Level	0 to 10
EQ	Lo	+/- 12dB @ 100Hz
	High	+/- 12dB @ 10 kHz
Volume	Level	0 to 10
Power	AC Mains	On/Off
Aux 1 or 2 Selector	Toggle	1 or 2

Rear Controls

	Type	Range
Inputs 1–6	Trim Pot	-3dB to 40dB (Mic Input) -23dB to 20dB (Line Input)
Inputs 1–2	DIP	Line, Mic, 24V Phantom, Ducking Threshold, Transformer enable (Input 1 only), High-Pass Filter, 10 dB Pad
Inputs 3–6	DIP	Line, Mic, 24V Phantom, High-Pass Filter, 10 dB Pad
100Hz HPF		In/Out
Priority Depth Adjustment		+/- 10dB
Chime Level		+/- 10dB
External Volume Control		3 Position Phoenix
Fault Relay		2 Position Phoenix

Mains Power

AC 100Hz – 240Hz/VAC 50/60 Hz 110W
DC 24V

Dimensions (inches)

H x W x D with feet 4.0 x 17.25 x 14.6
w/o feet 3.5 x 17.25 x 14.6

Dimensions (millimeters)

H x W x D with feet 102 x 483 x 381
w/o feet 88 x 483 x 381

Weight (approximate net lb/kg)

20.8 9.3

Shipping weight (lb/kg)

24 10.7

EMC STANDARDS:

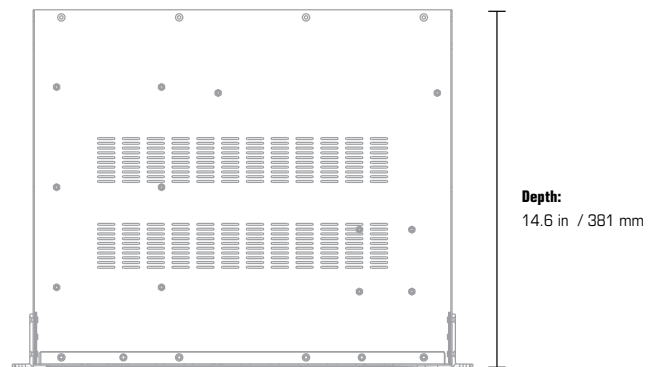
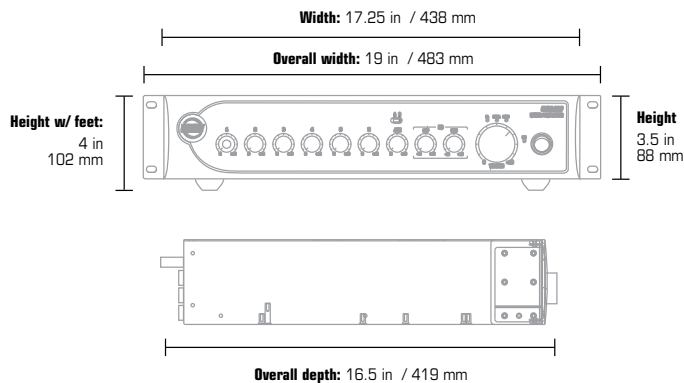
U.S. -part 15 of the FCC Rules, EN55103-1, EN55103-2, EN55022 (Emissions), EN55024 (Immunity), C-Tick N484, Canada - ICES-003

SAFETY STANDARDS:

cTUVus, UL, cULus

ORDERING DATA:

P/N 0020859



Free Manuals Download Website

<http://myh66.com>

<http://usermanuals.us>

<http://www.somanuals.com>

<http://www.4manuals.cc>

<http://www.manual-lib.com>

<http://www.404manual.com>

<http://www.luxmanual.com>

<http://aubethermostatmanual.com>

Golf course search by state

<http://golfingnear.com>

Email search by domain

<http://emailbydomain.com>

Auto manuals search

<http://auto.somanuals.com>

TV manuals search

<http://tv.somanuals.com>