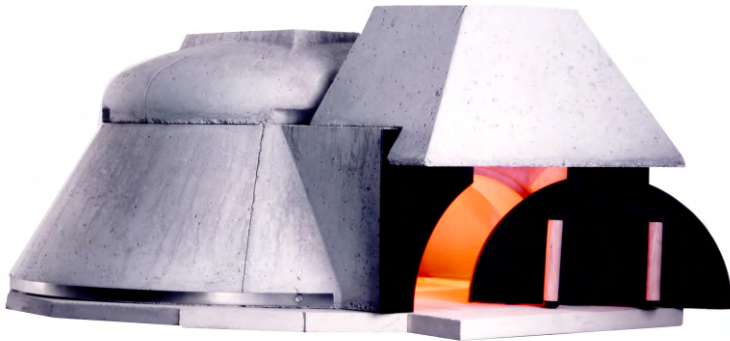


MODEL 110 Modular WOOD-FIRED OVEN



43" Interior cooking area

Wall and dome elements are a dense superior high temperature refractory material composed of 80% alumina and other advanced elements for extra durability, heat retention and longevity.

High Thermal Mass for excellent heat retention.

Hearth Floor Tiles - "Pierre de Boulanger" are cold pressed at 8,500 psi and ceramitized at 2800F degrees.

Large oven entrance opening allows for maximum visibility and easy usage.

Shipping Weight: 1,700 lb

Model 110 Modular Oven Includes:

Floor Tiles (25)

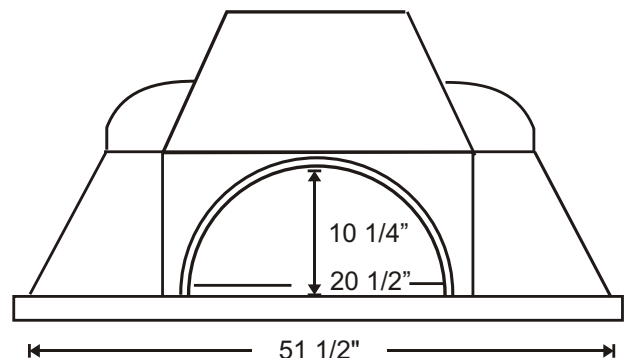
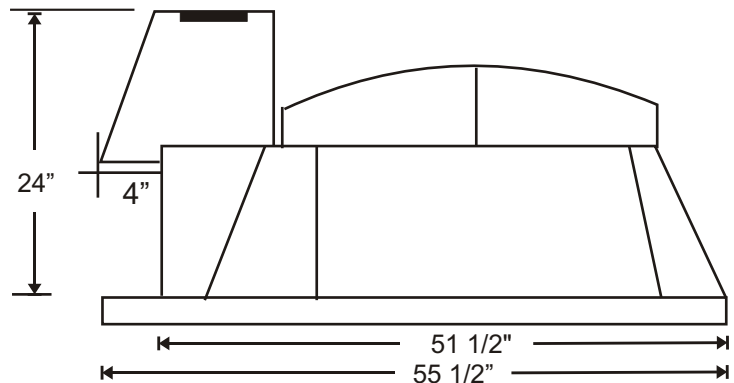
5 - 12" X 6"
20 - 12" X 12"

Oven Pieces:

Primary Hood
Dome Pieces (2)
Side Wall Pieces (4)
Front Entrance Piece

Additional Items:

Steel Entrance Plate (black)
Thick Cast Aluminum Door
Dial Temperature Gauge (probe 3ft)
Refractory Cement (22 lb / 10 kg Bag)
Galvanized Metal Flashing
High Heat Silicone Tube
Plywood Spacers
Refractory Cement (container)
Package of Fire Starters
Stainless Steel Pizza Peel
4" x16" Screened Vent
Installation Instructions and Video/DVD



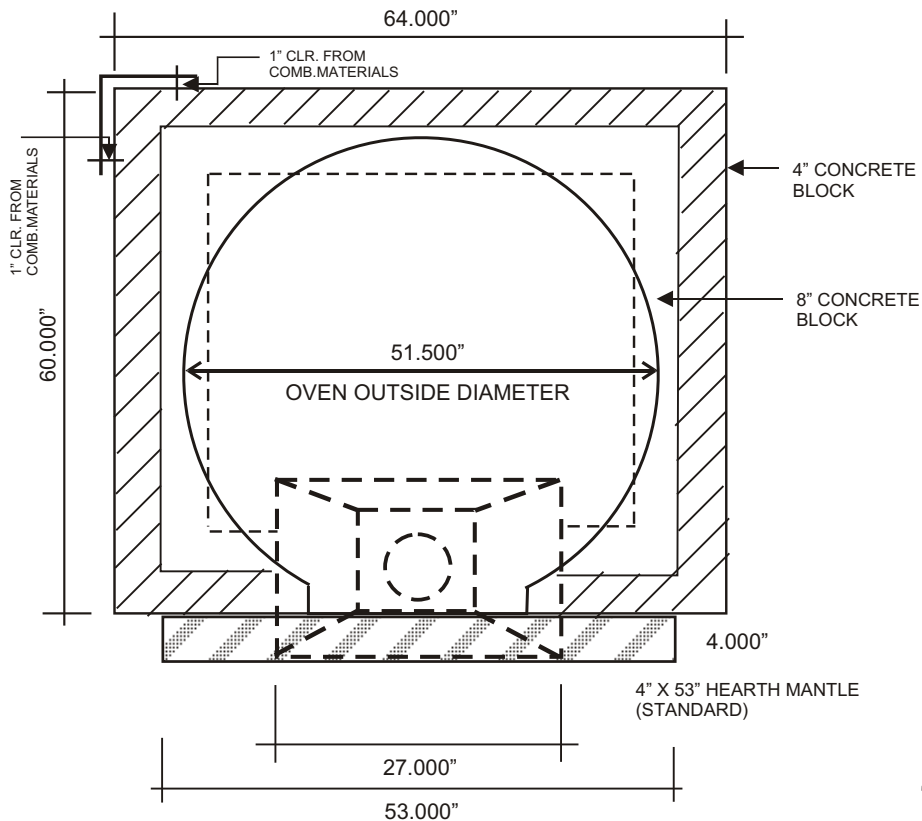
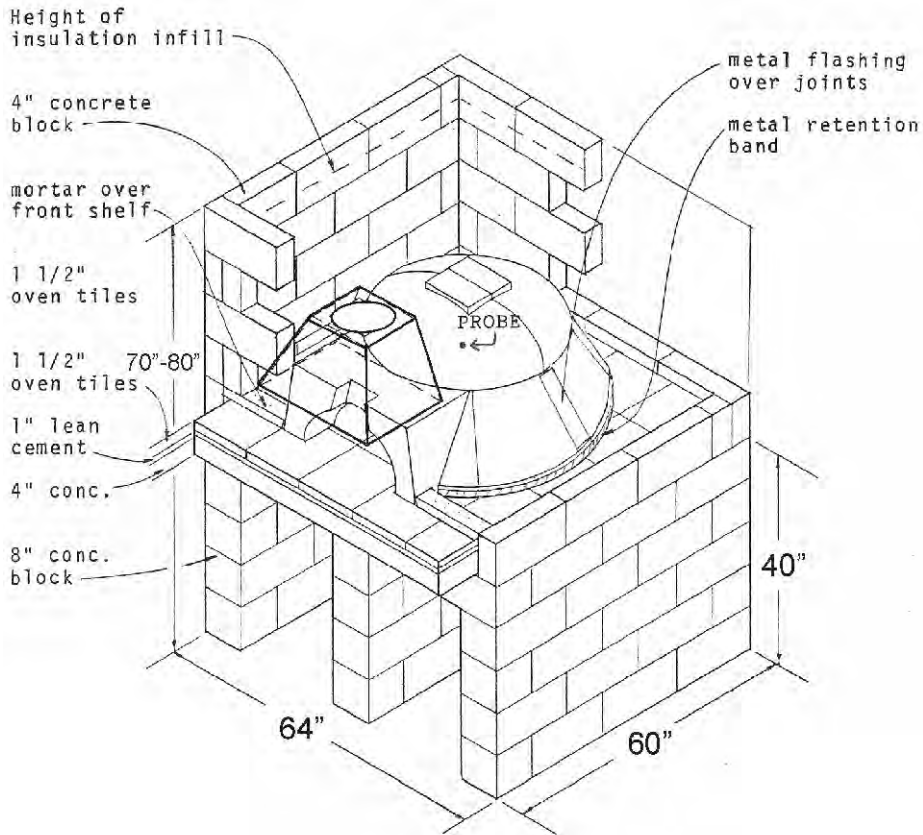
EARTHSTONE
WOOD-FIRE OVENS

6717 San Fernando Road
Glendale CA 91201

Tel: 800-840-4915 - 818-553-1134
earthstoneovens.com



MODEL 110 MODULAR OVEN




EARTHSTONE
WOOD-FIRE OVENS

6717 San Fernando Road
 Glendale CA 91201
 Tel: 800-840-4915 - 818-553-1134
 earthstoneovens.com

Free Manuals Download Website

<http://myh66.com>

<http://usermanuals.us>

<http://www.somanuals.com>

<http://www.4manuals.cc>

<http://www.manual-lib.com>

<http://www.404manual.com>

<http://www.luxmanual.com>

<http://aubethermostatmanual.com>

Golf course search by state

<http://golfingnear.com>

Email search by domain

<http://emailbydomain.com>

Auto manuals search

<http://auto.somanuals.com>

TV manuals search

<http://tv.somanuals.com>